

[54] ANTHURIUMS PACKING BOARD

[76] Inventor: Harold T. Tanouye, 279 Aipuni St.,
Hilo, Hi. 96720

[**] Term: 14 Years

[21] Appl. No.: 388,448

[22] Filed: Jun. 14, 1982

[52] U.S. Cl. D9/456; D9/433

[58] Field of Search 206/423; 229/30-35;
D9/430-433, 456, 337

[56] References Cited

U.S. PATENT DOCUMENTS

D. 170,974	12/1953	Gorham	D9/433
D. 187,051	1/1960	Smith	D9/456
D. 265,630	8/1982	Wahlberg et al.	D9/456
1,042,928	10/1912	Kopf	206/423
2,340,373	2/1944	Gardner	206/423
2,765,113	10/1956	Williamson	D9/432
3,447,260	4/1967	Abelius	206/423

4,170,301	10/1979	Jones et al.	206/423
4,298,157	11/1981	DeVierno	229/35
4,347,686	9/1982	Wood	206/423 X

Primary Examiner—Robert C. Spangler
Attorney, Agent, or Firm—George W. T. Loo

[57] CLAIM

The ornamental design for an anthuriums packing board or similar article, substantially as shown and described.

DESCRIPTION

FIG. 1 is a top plan view of an anthuriums packing board showing my new design; FIG. 2 is an edge view looking from the left of FIG. 1; FIG. 3 is a top perspective view in a folded position; FIG. 4 is an enlarged fragmentary perspective view of the neck portion thereof in a partially folded position; FIG. 5 is a top plan view in a folded position with packed flowers and a bag being shown in broken lines for the purpose of illustrating environmental use only. The dash lines on the neck in FIG. 1 represent fold lines.

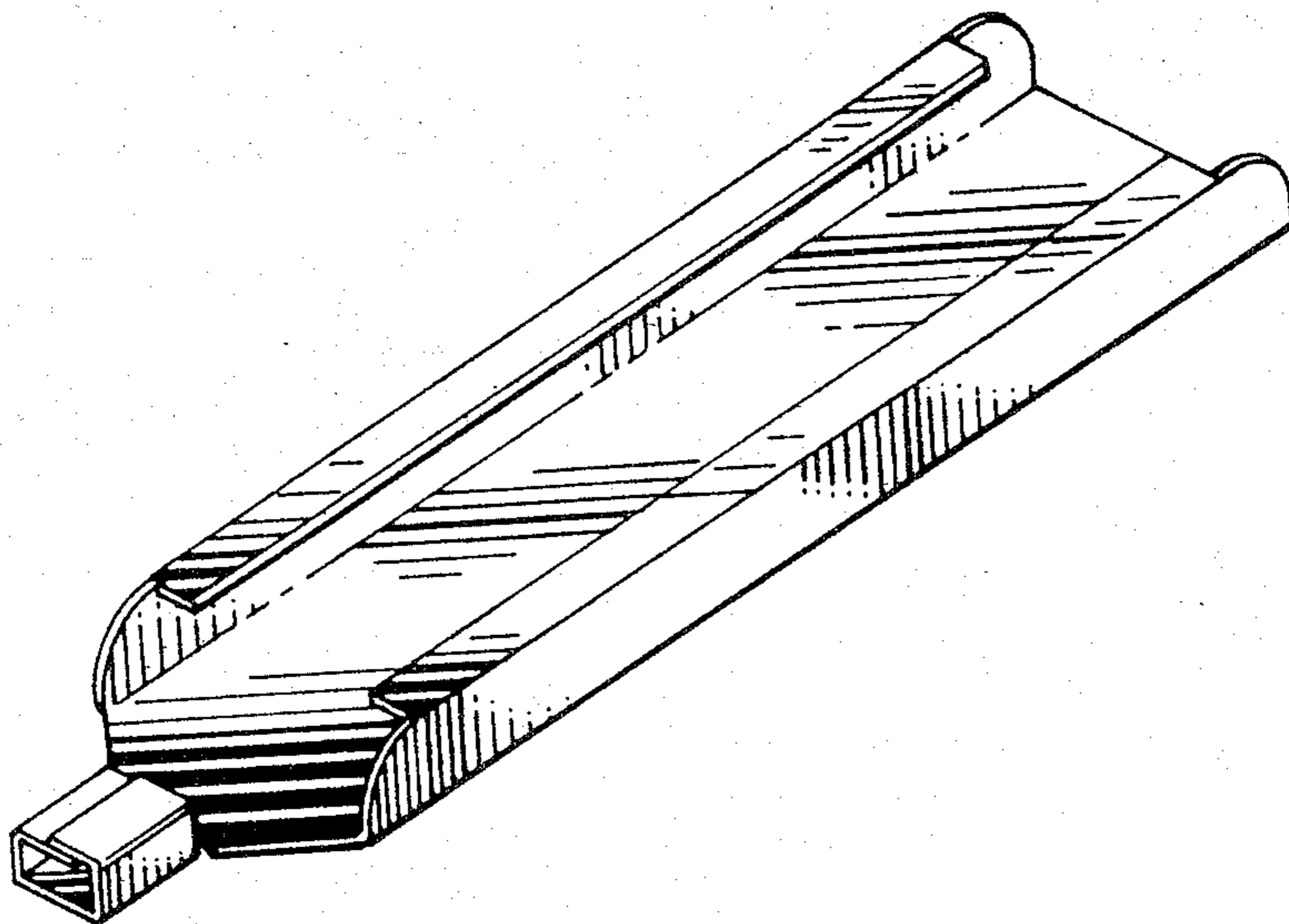




FIG. 2

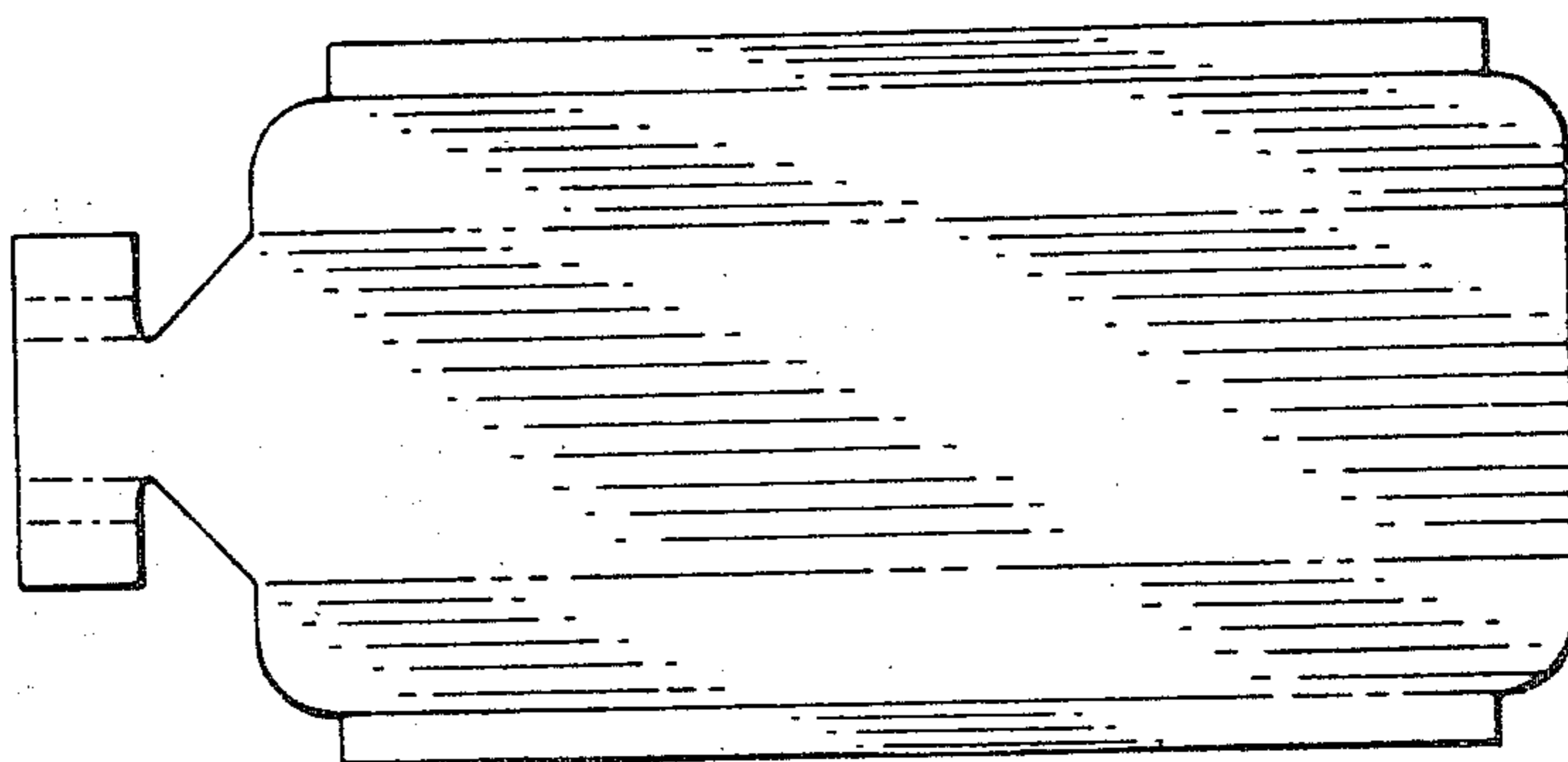


FIG. 1

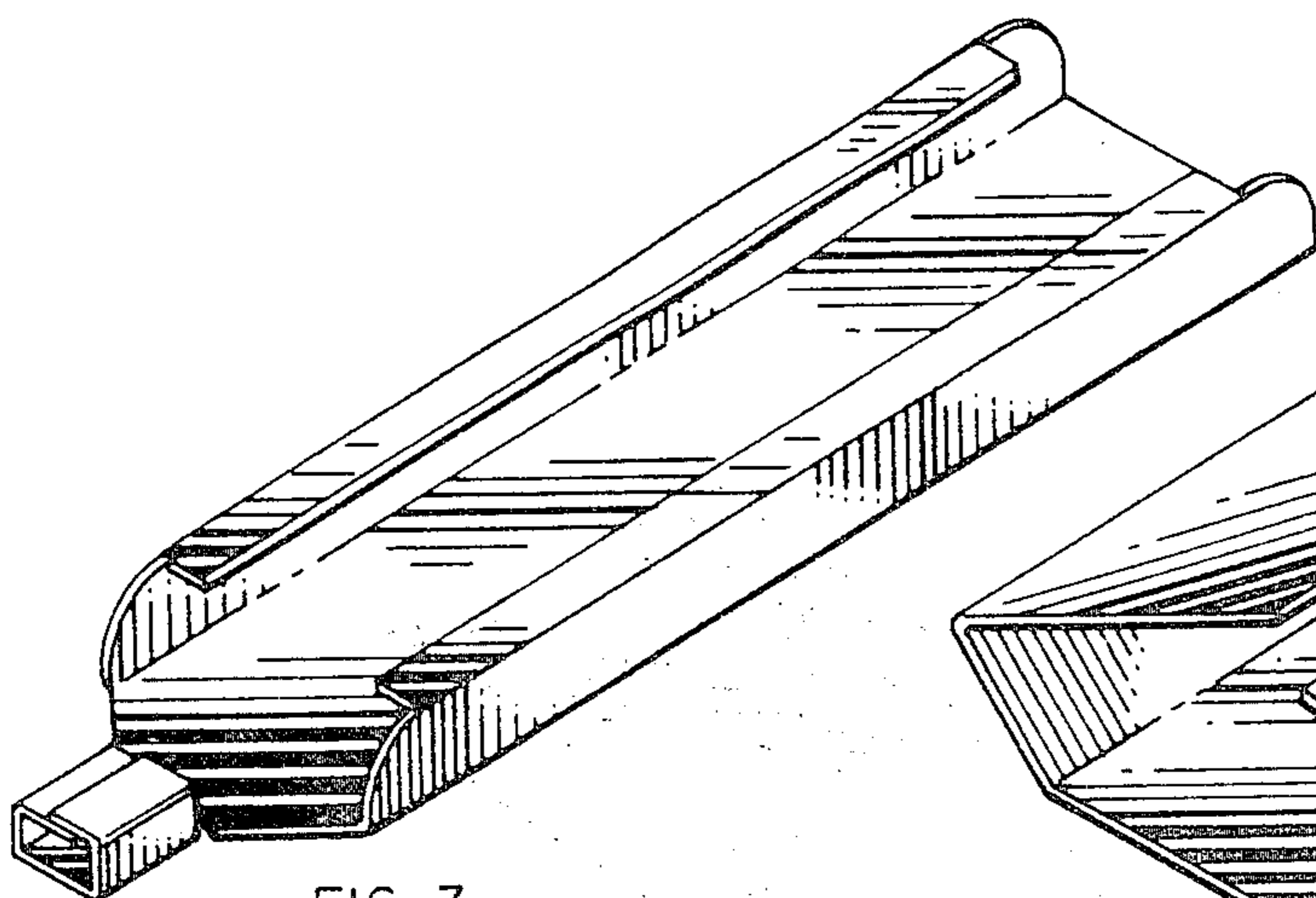


FIG. 3

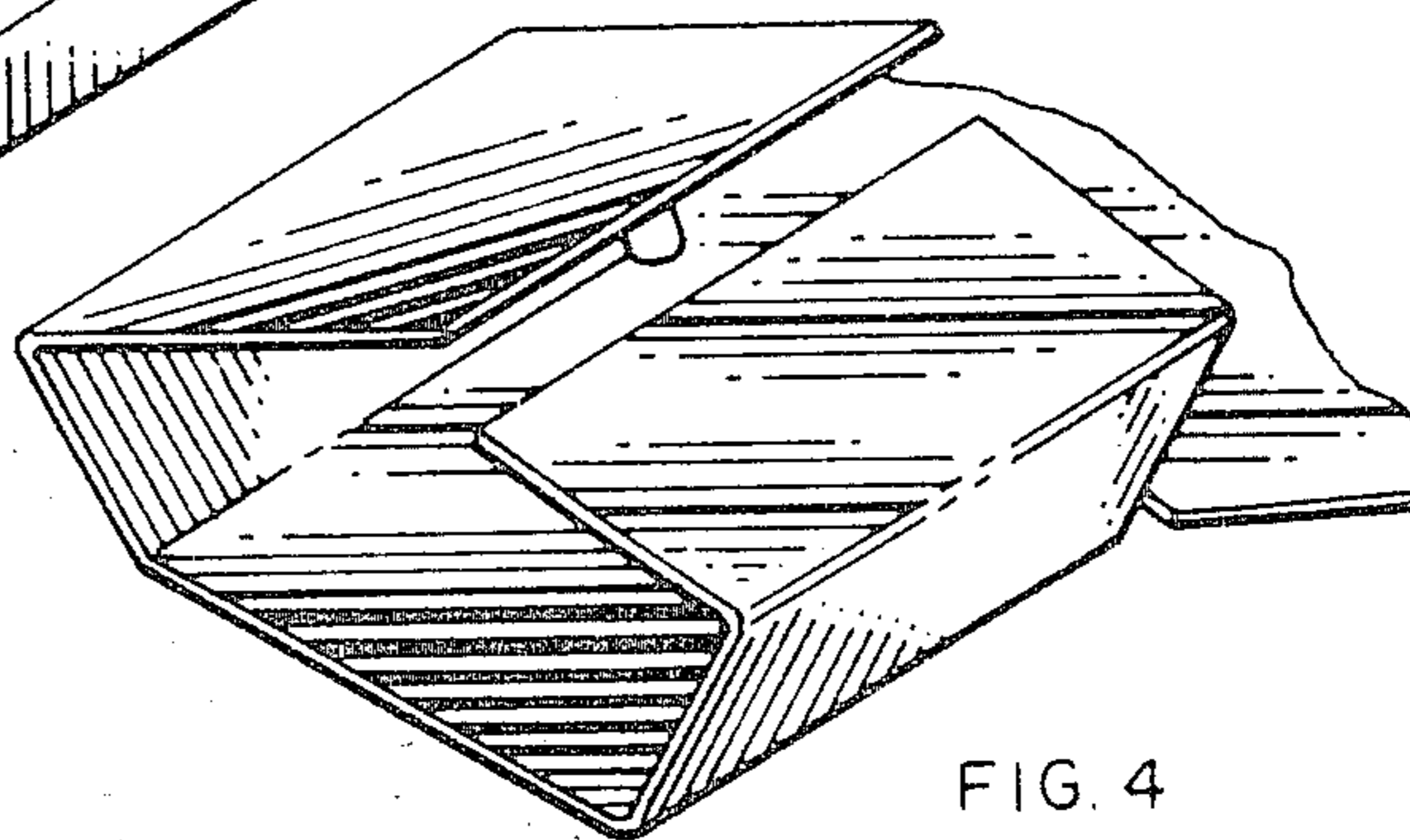


FIG. 4

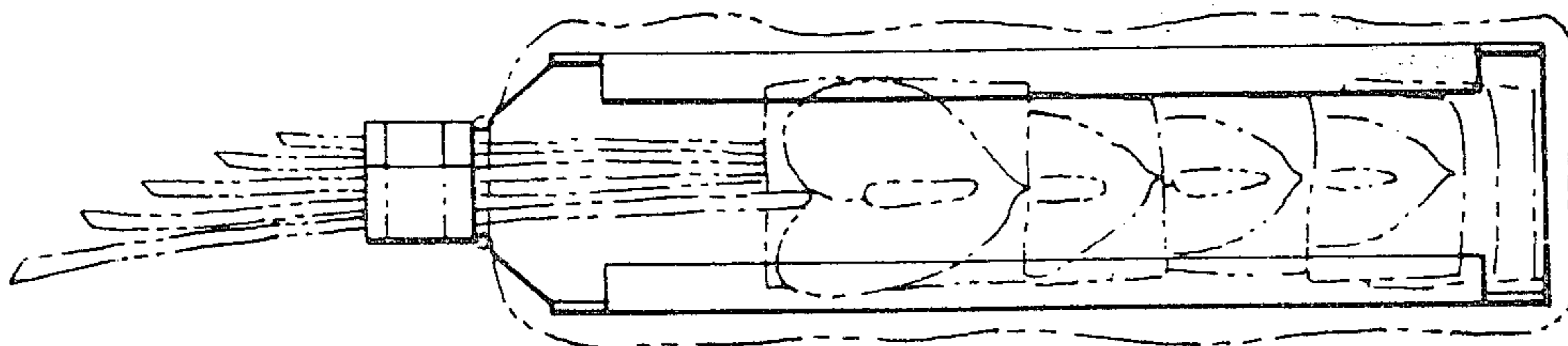


FIG. 5