

[54] COMBINED BOTTLE AND CAP

[75] Inventor: Serge Mansau, Neuilly sur Seine, France

[73] Assignee: American Cyanamid Company, Stamford, Conn.

[**] Term: 14 Years

[21] Appl. No.: 389,811

[22] Filed: Jun. 18, 1982

[30] Foreign Application Priority Data

Jan. 15, 1982 [FR] France 82.820110

[52] U.S. Cl. D9/403

[58] Field of Search D9/367, 403, 406, 405, D9/413, 435, 439, 454; 215/1 R, 1 C

[56] References Cited

U.S. PATENT DOCUMENTS

- D. 37,712 12/1905 Hochstadter D9/403
- D. 62,804 7/1923 Quan D9/413
- D. 82,593 11/1930 Teaque D9/405
- D. 87,142 6/1932 Barbiers D9/406
- D. 100,434 7/1936 McIntosh D9/384

Primary Examiner—Robert C. Spangler
Attorney, Agent, or Firm—Charles J. Fickey

[57] CLAIM

The ornamental design for a combined bottle and cap, substantially as shown and described.

DESCRIPTION

FIG. 1 is an elevational view of a combined bottle and cap showing my new design, the opposite side being a mirror image of the side shown;

FIG. 2 is a view similar to FIG. 1 but showing the cap separated from the bottle;

FIG. 3 is a bottom plan view;

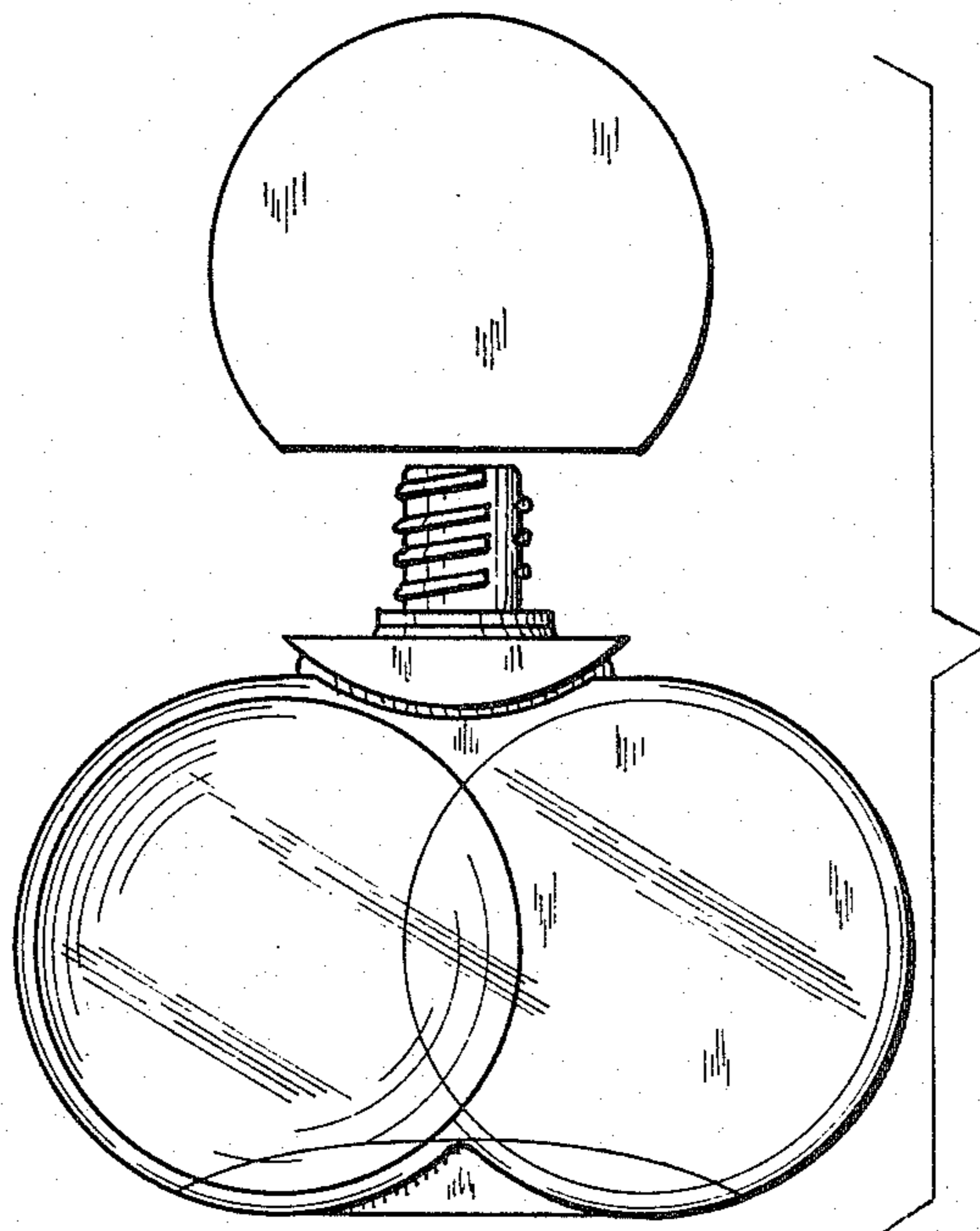
FIG. 4 is a view looking from the right of FIG. 1, the opposite side being substantially the same in appearance as the side shown;

FIG. 5 is a top plan view;

FIG. 6 is a sectional view taken on the line 6—6 of FIG. 1;

FIG. 7 is a sectional view taken on the line 7—7 of FIG. 1; and

FIG. 8 is a sectional view taken on the line 8—8 of FIG. 1.



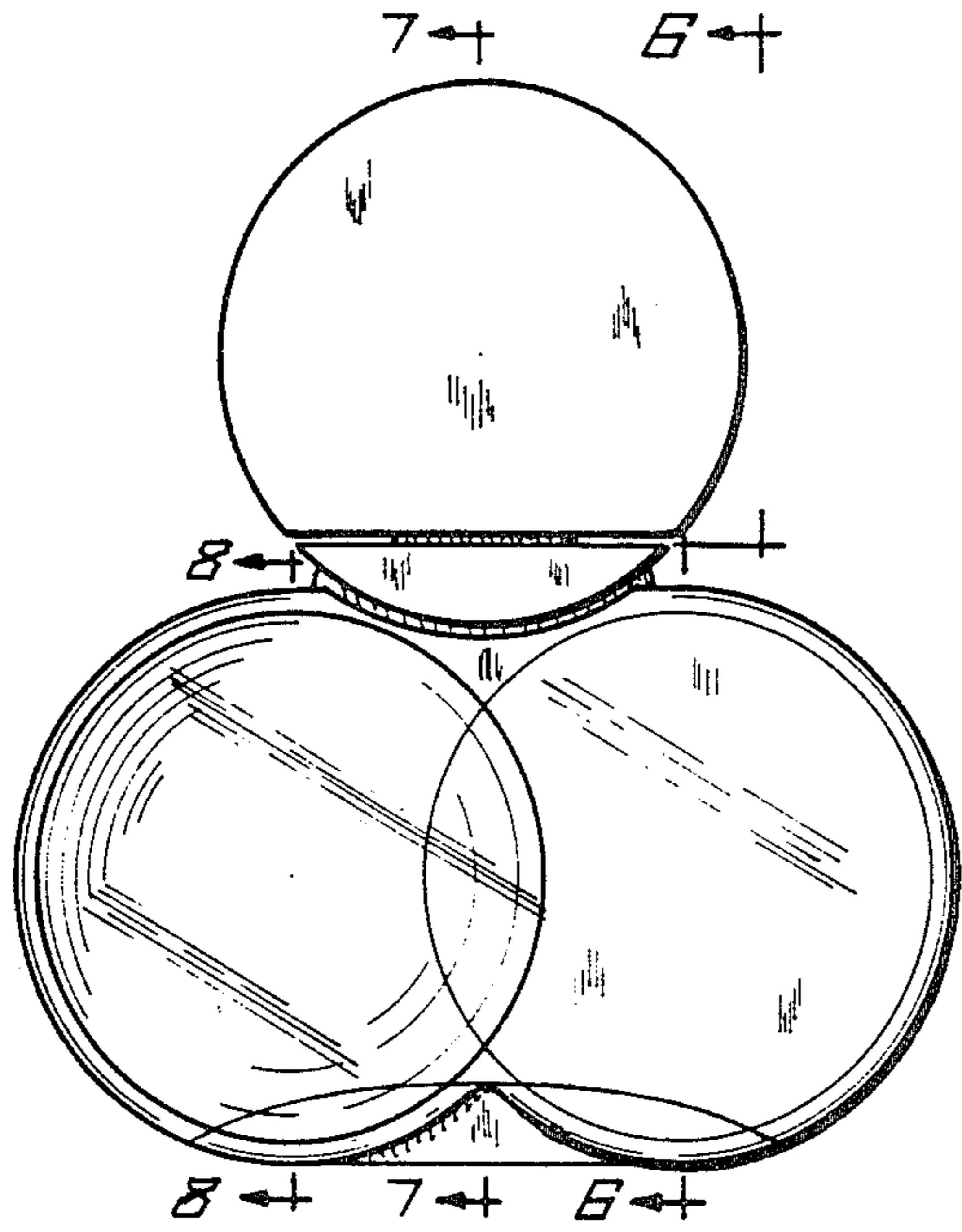


FIG. 1

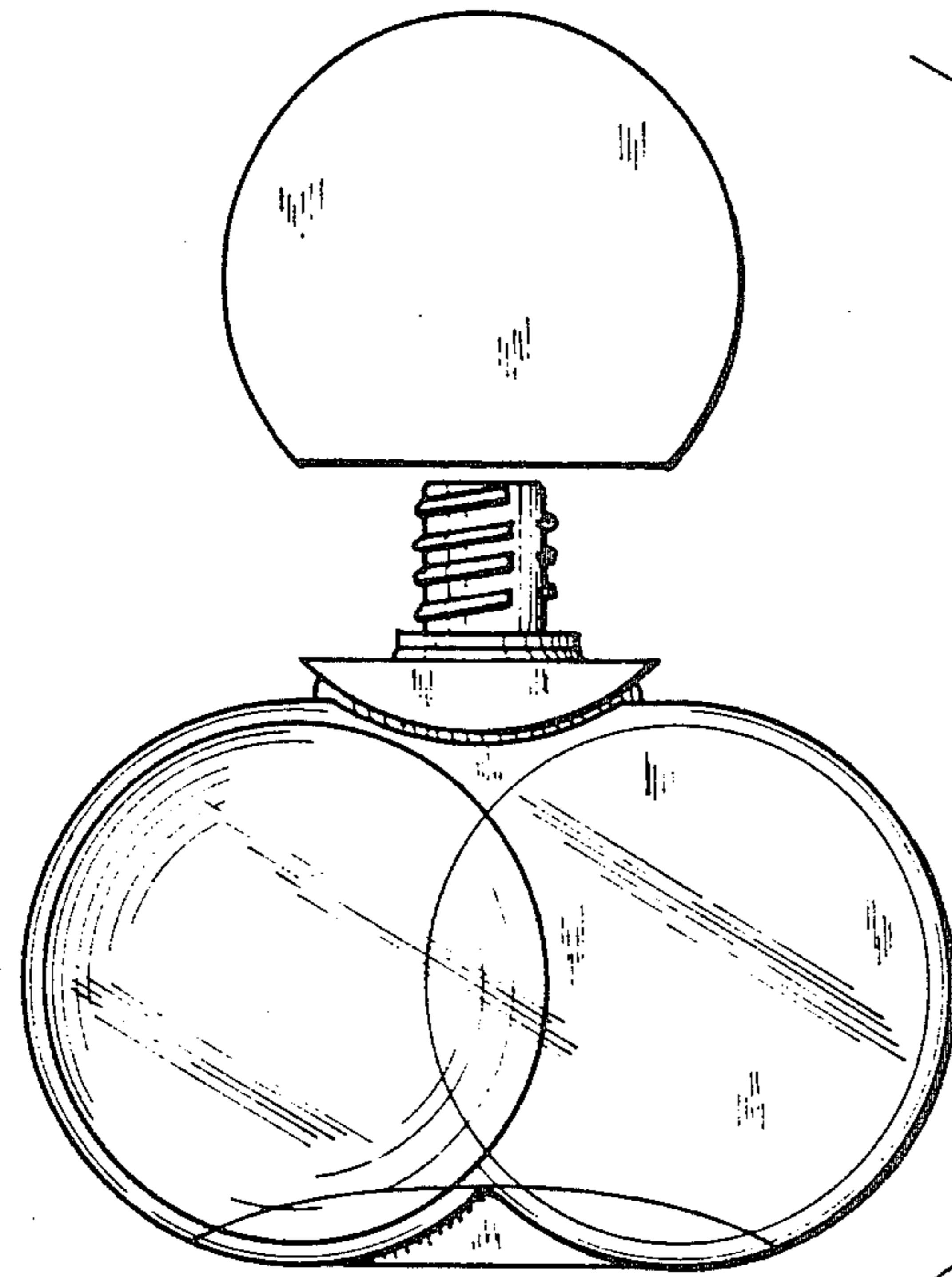


FIG. 2

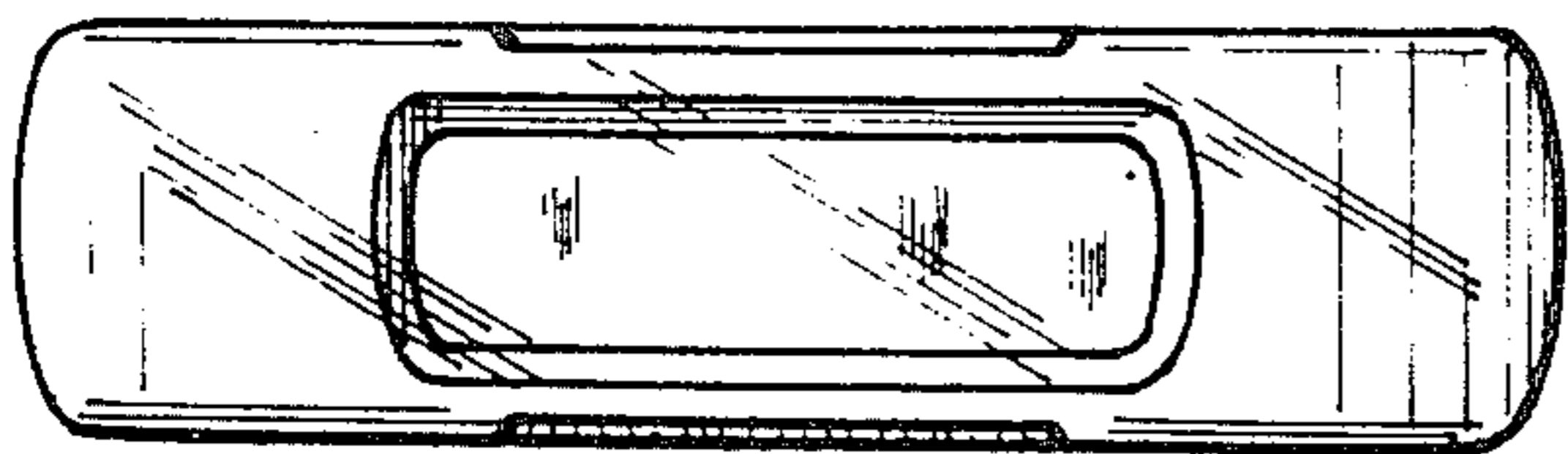


FIG. 3

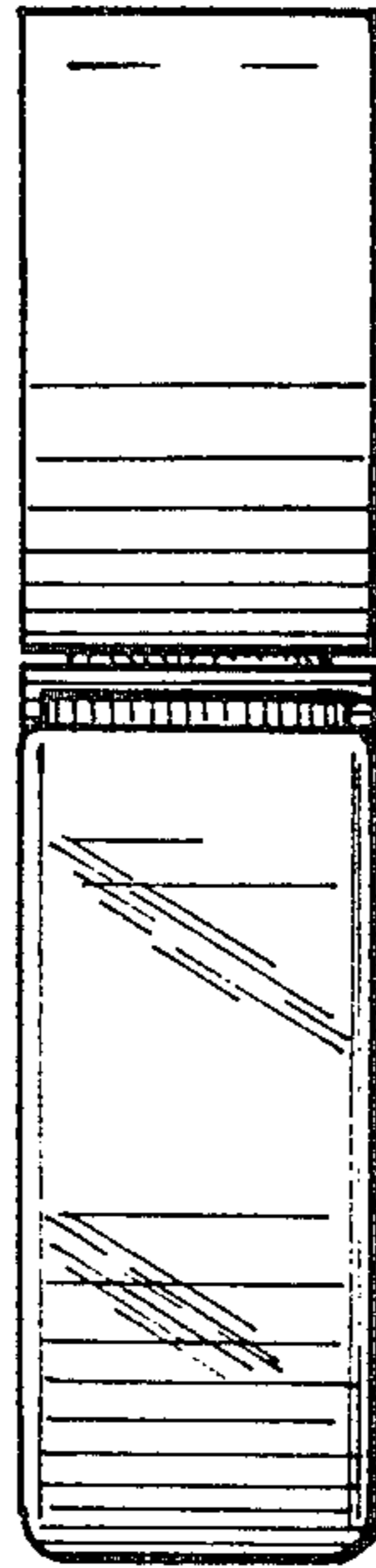


FIG. 4



FIG. 7

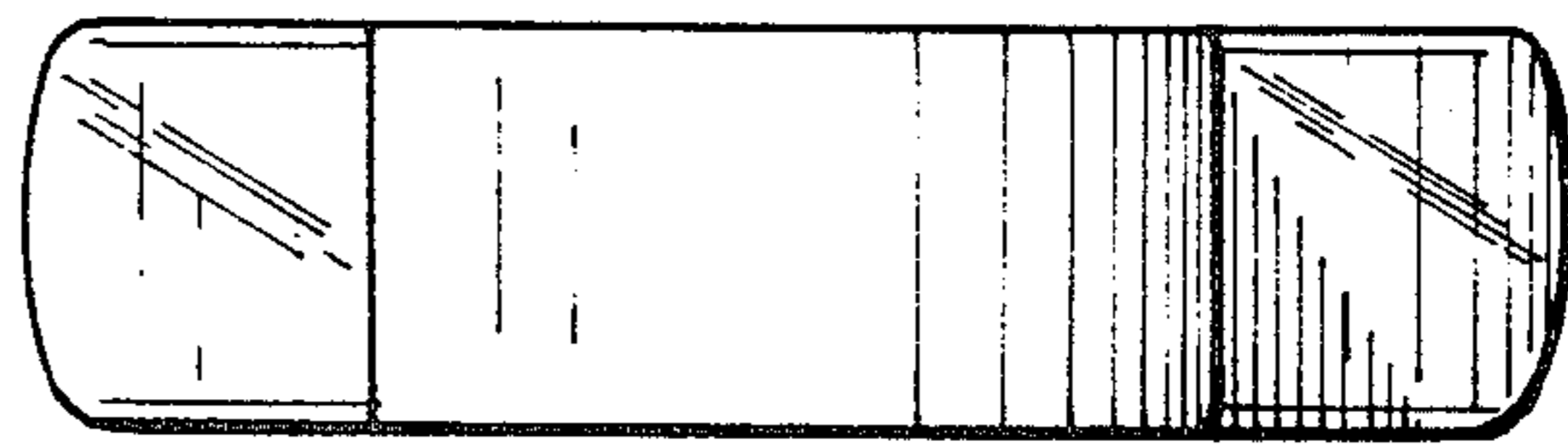


FIG. 5

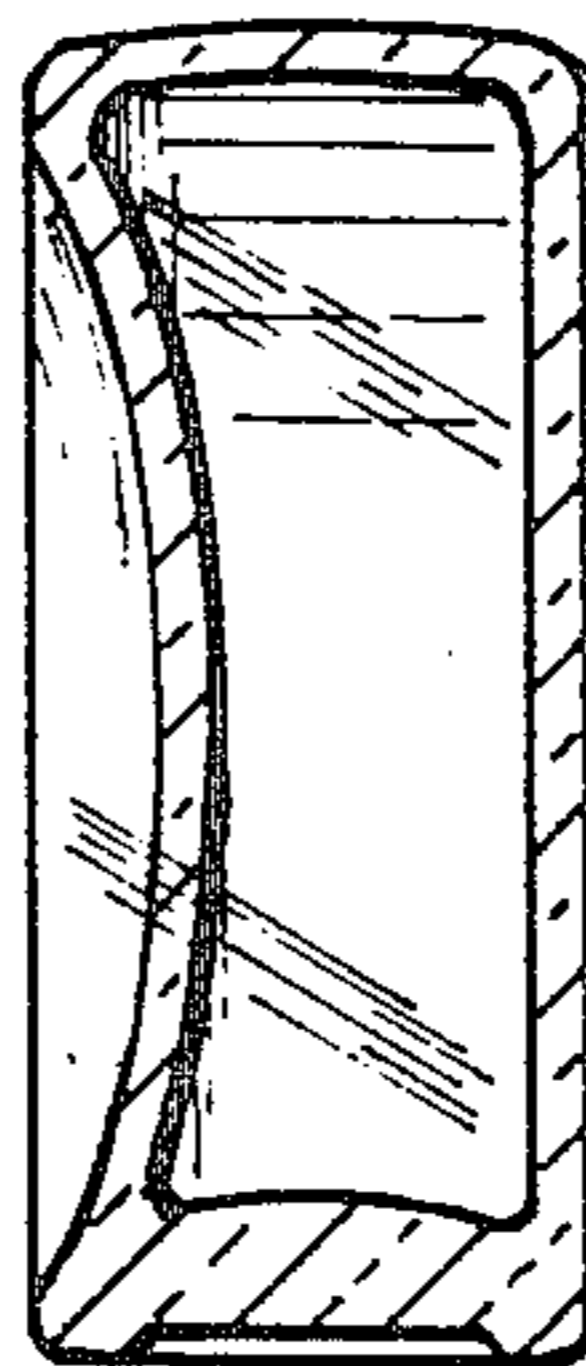


FIG. 8

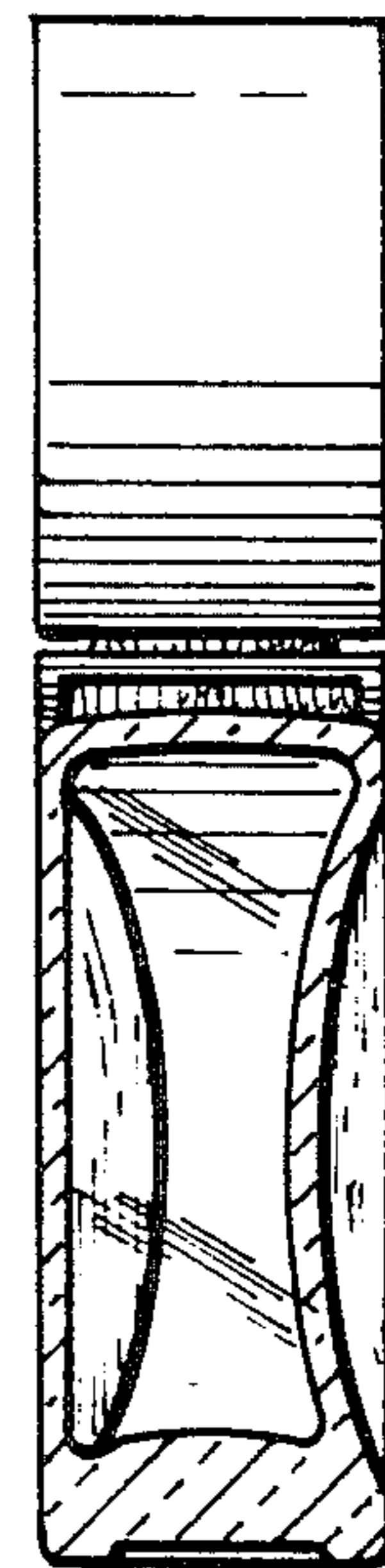


FIG. 6