

United States Patent [19]

Sharp et al.

[11] Patent Number: **Des. 277,731**

[45] Date of Patent: **** Feb. 26, 1985**

[54] WINDSHIELD WASHER PUMP PACKAGE

[75] Inventors: **Bernard C. Sharp**, White Plains, N.Y.; **Manuel Lopez**, Trumbull, Conn.

[73] Assignee: **Parker Hannifin Corporation**, Shelton, Conn.

[**] Term: **14 Years**

[21] Appl. No.: **393,687**

[22] Filed: **Jun. 30, 1982**

[52] U.S. Cl. **D9/337; D9/415**

[58] Field of Search **D9/341-347, D9/415, 337, 418; 206/361-367, 471, 476, 495, 461**

[56] References Cited

U.S. PATENT DOCUMENTS

D. 247,222 2/1978 Paone et al. D9/415
D. 267,394 12/1982 Liptak et al. D9/418
D. 273,277 4/1984 Strauss D9/337 X
4,020,694 5/1977 Mayhew 206/461 X

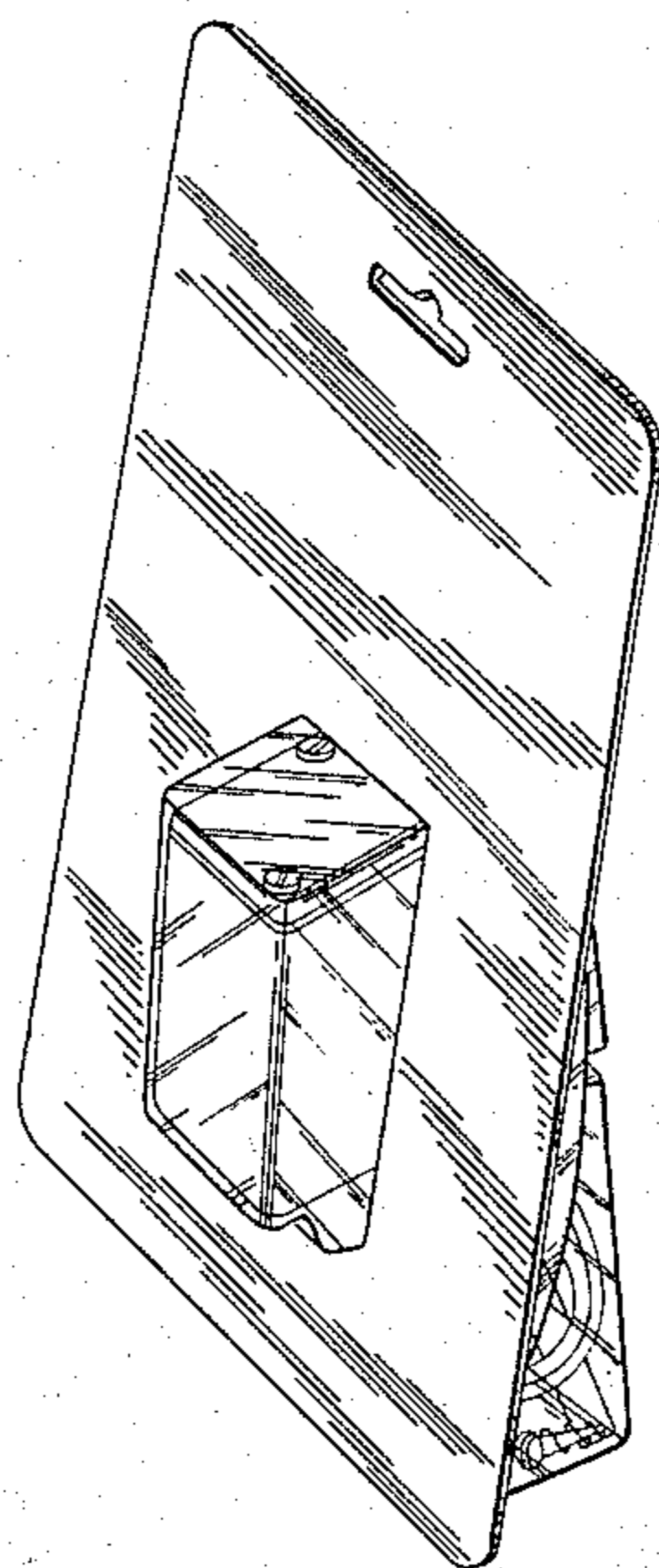
Primary Examiner—Robert C. Spangler

[57] CLAIM

The ornamental design for a windshield washer pump package, substantially as shown and described.

DESCRIPTION

FIG. 1 is a front perspective view of a windshield washer pump package embodying our new design; FIG. 2 is a rear elevational view; FIG. 3 is a bottom plan view; FIG. 4 is a top plan view; FIG. 5 is a front elevational view; FIG. 6 is an end elevational view; and FIG. 7 is an end elevational view showing the end opposite that seen in FIG. 6.



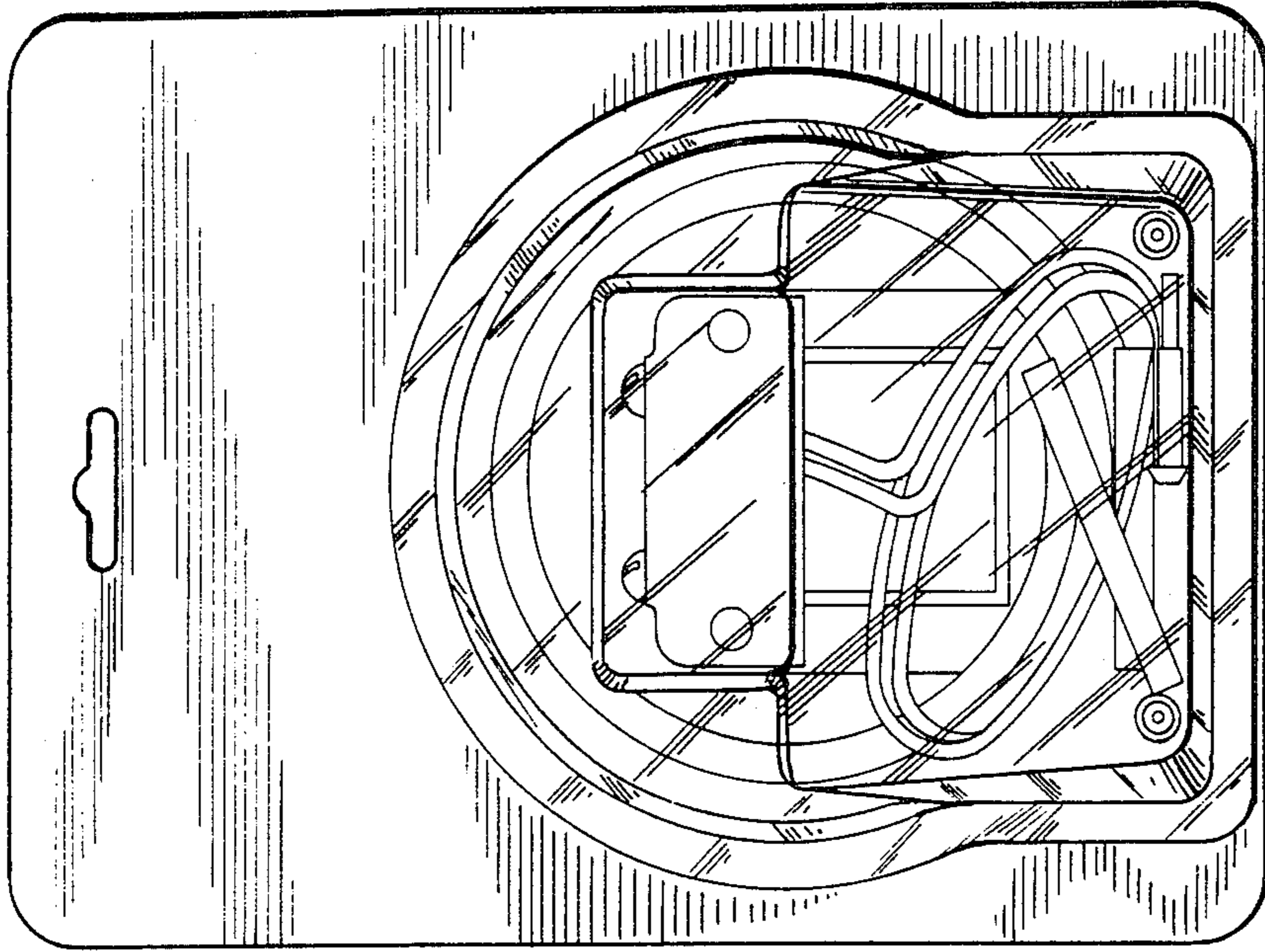


Fig. 2

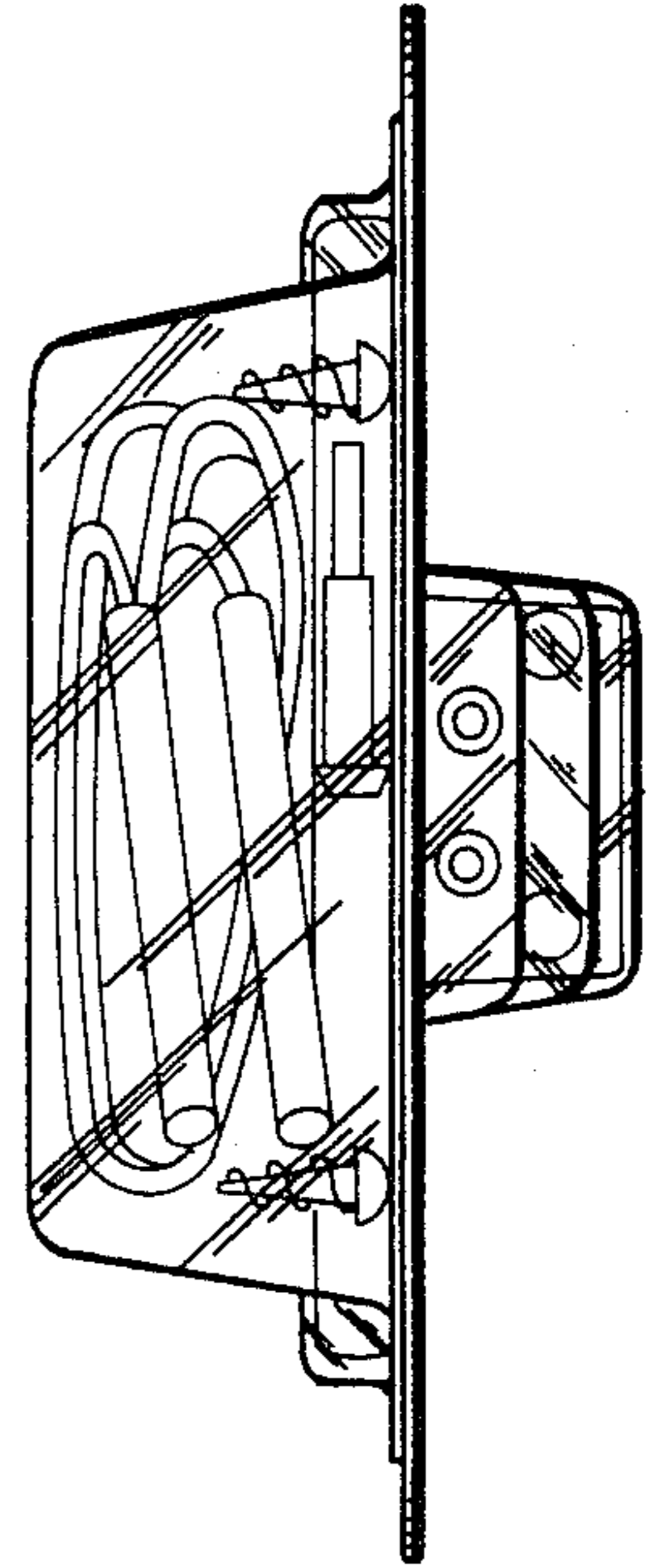


Fig. 3

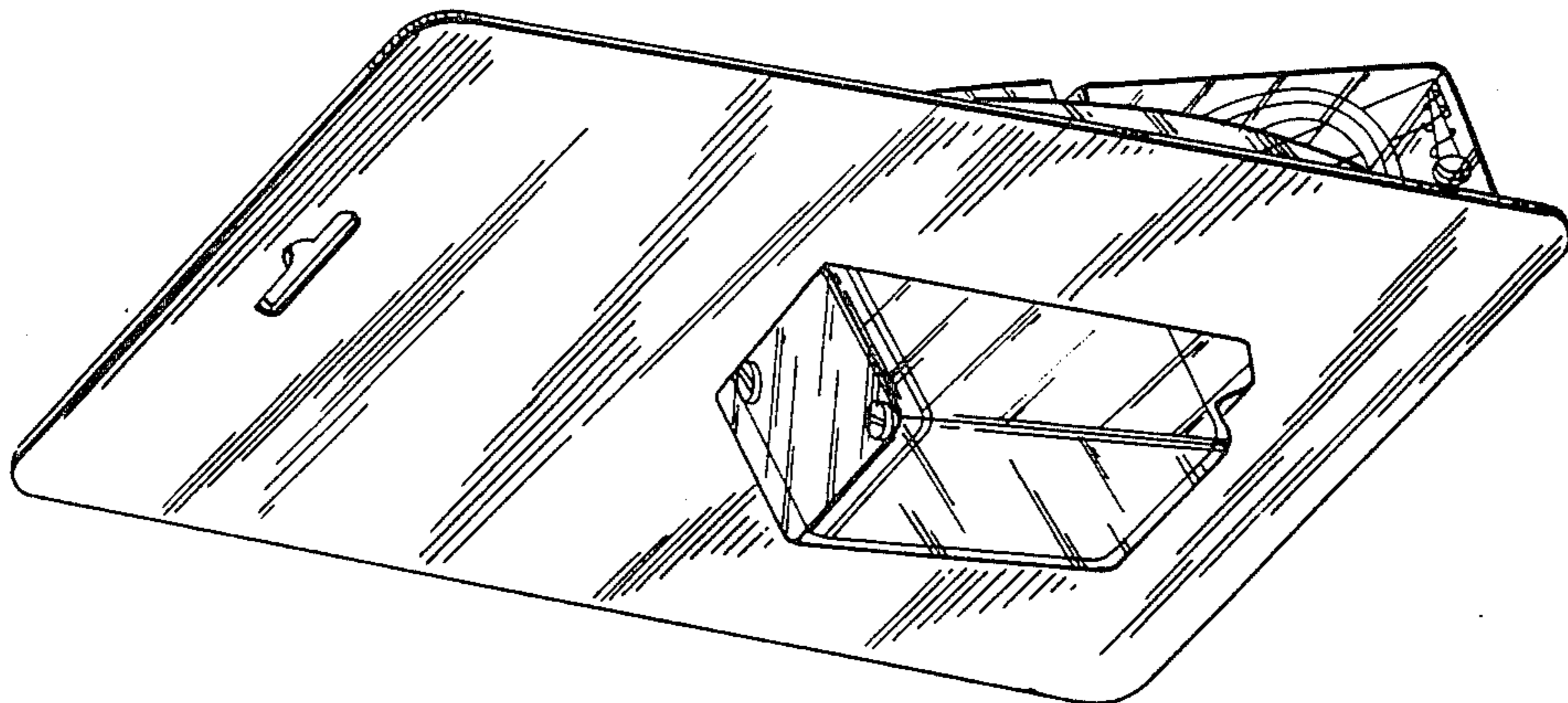


Fig. 1

Fig. 4

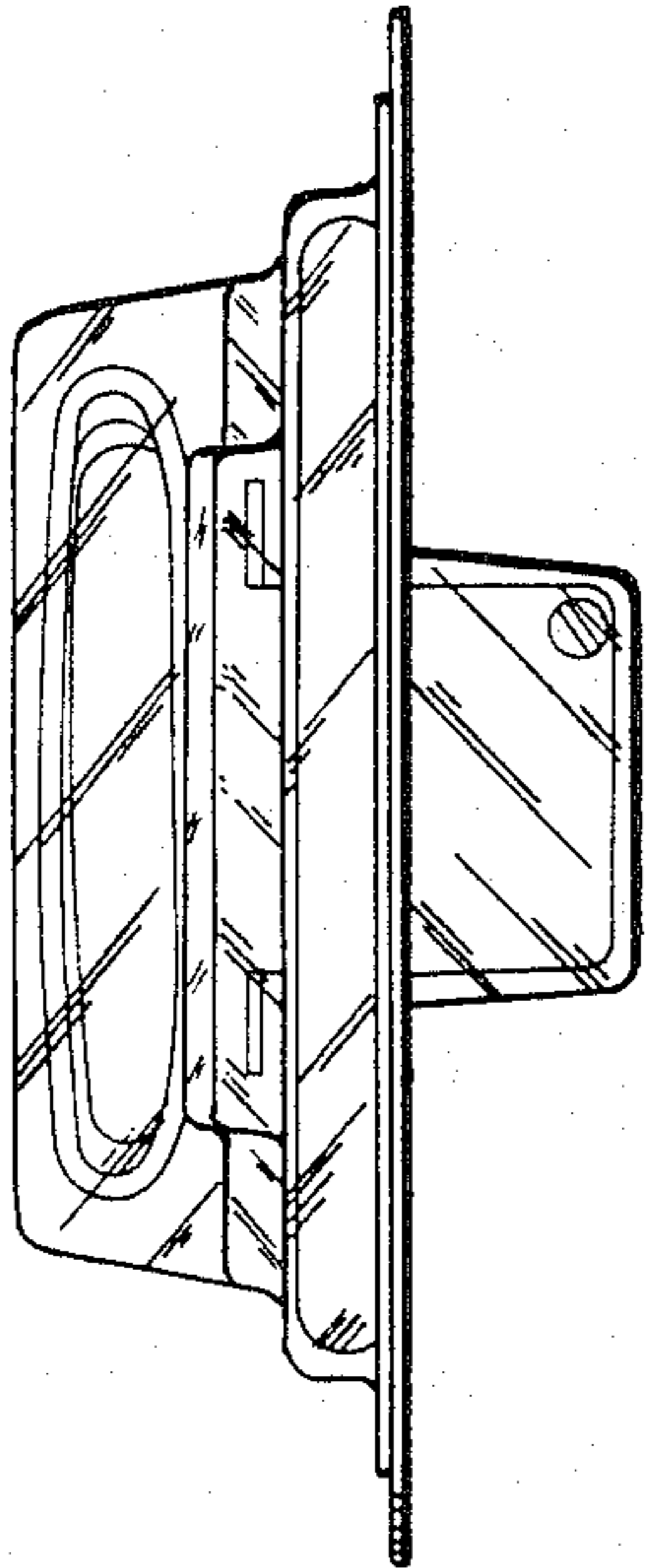


Fig. 7

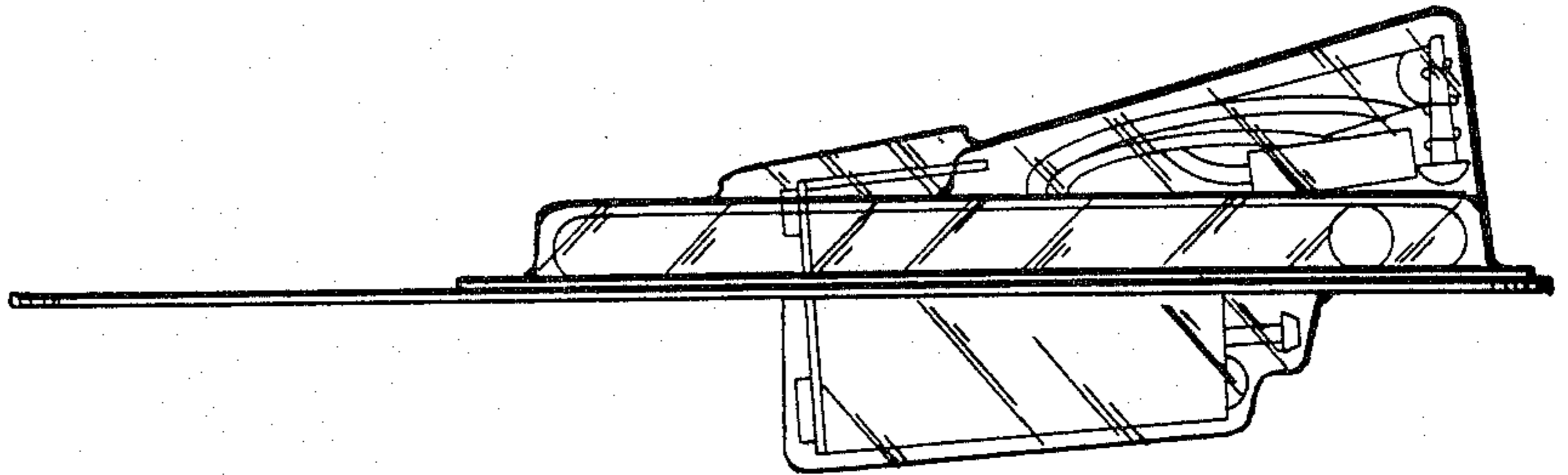


Fig. 5

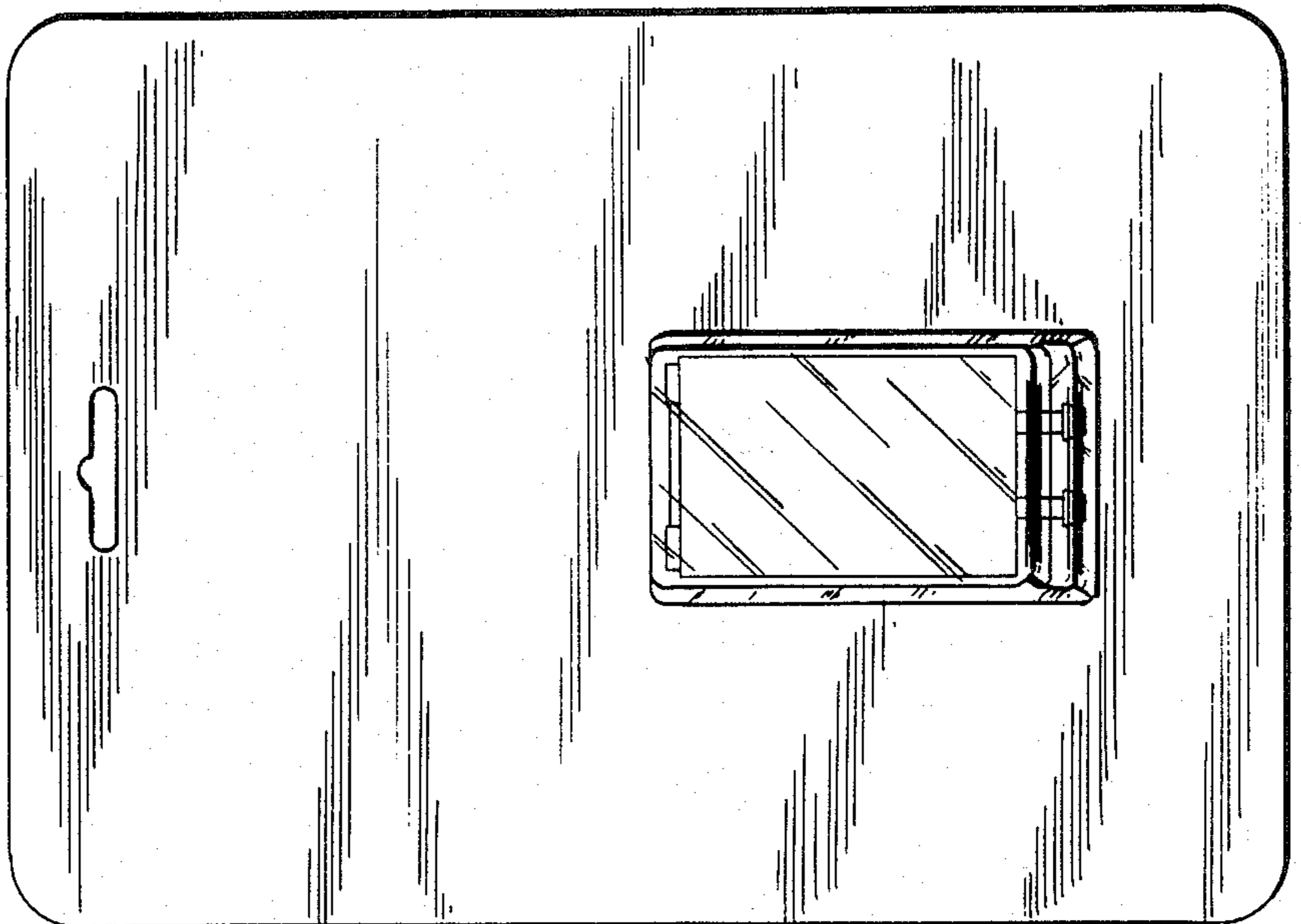


Fig. 6

