

# United States Patent [19]

Klaric

[11] Patent Number: **Des. 277,727**

[45] Date of Patent: **\*\* Feb. 26, 1985**

[54] CONSTRUCTION JOINT

[76] Inventor: **Dinko Klaric**, 165 City Rd., South Melbourne, Victoria, Australia

[\*\*] Term: **14 Years**

[21] Appl. No.: **444,688**

[22] Filed: **Nov. 23, 1982**

[30] Foreign Application Priority Data

May 26, 1982 [AU] Australia ..... 0517/82

[52] U.S. Cl. .... **D8/382; D21/108**

[58] Field of Search ..... D8/382, 394; D21/108; 403/205, 217, 403, 405; 46/29, 31; 52/285, 280

[56] References Cited

### U.S. PATENT DOCUMENTS

D. 257,271	10/1980	Gabriel	.....	D8/354
1,281,856	10/1918	Shaw	.....	46/29
3,458,949	8/1969	Young	.....	46/29
3,864,049	2/1975	Ono	.....	403/217

4,124,958 11/1978 Chiche ..... 52/285

### FOREIGN PATENT DOCUMENTS

2007988 5/1979 United Kingdom ..... 46/31  
2066406 7/1981 United Kingdom ..... 403/217

*Primary Examiner*—B. J. Bullock

*Attorney, Agent, or Firm*—Mason, Fenwick & Lawrence

[57] CLAIM

An ornamental design for a construction joint, as described and shown.

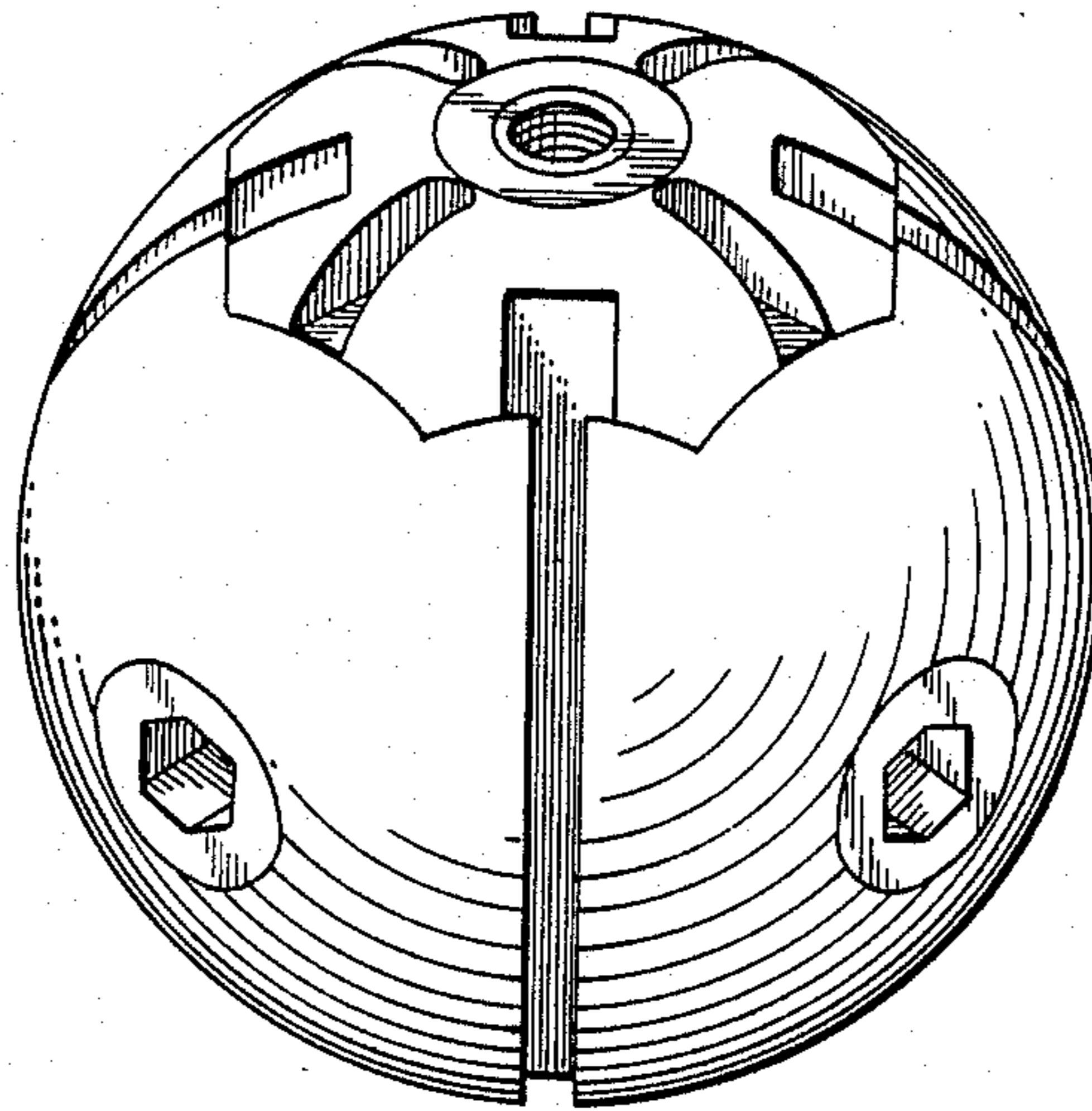
### DESCRIPTION

FIG. 1 is an enlarged perspective view of a construction joint embodying my new design;

FIG. 2 is a side elevational view taken in the direction of arrow B;

FIG. 3 is a side elevational view taken in the direction of arrow A;

FIG. 4 is a top plan view thereof with it being understood that the underside is identical.



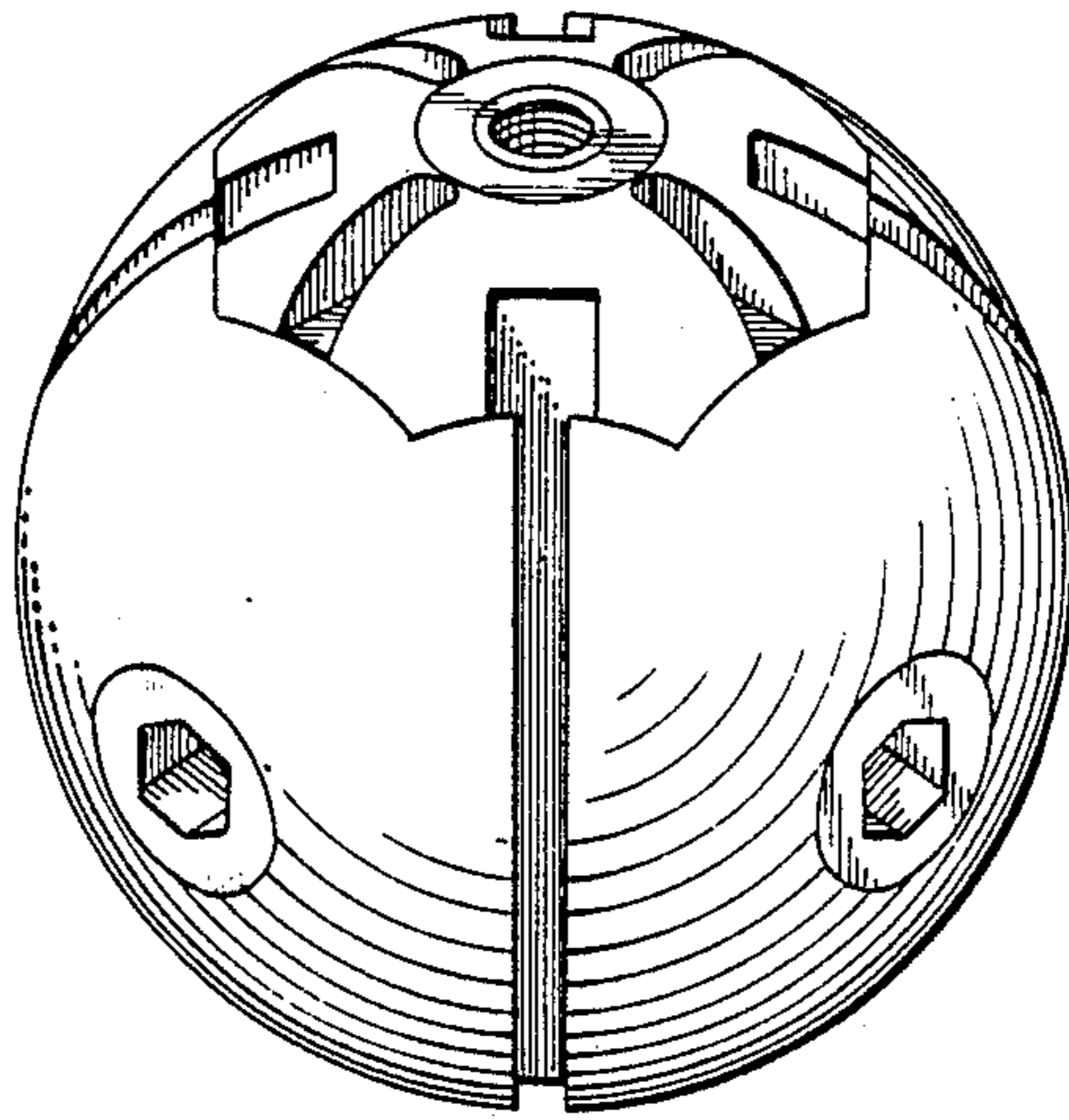


FIG. 1.

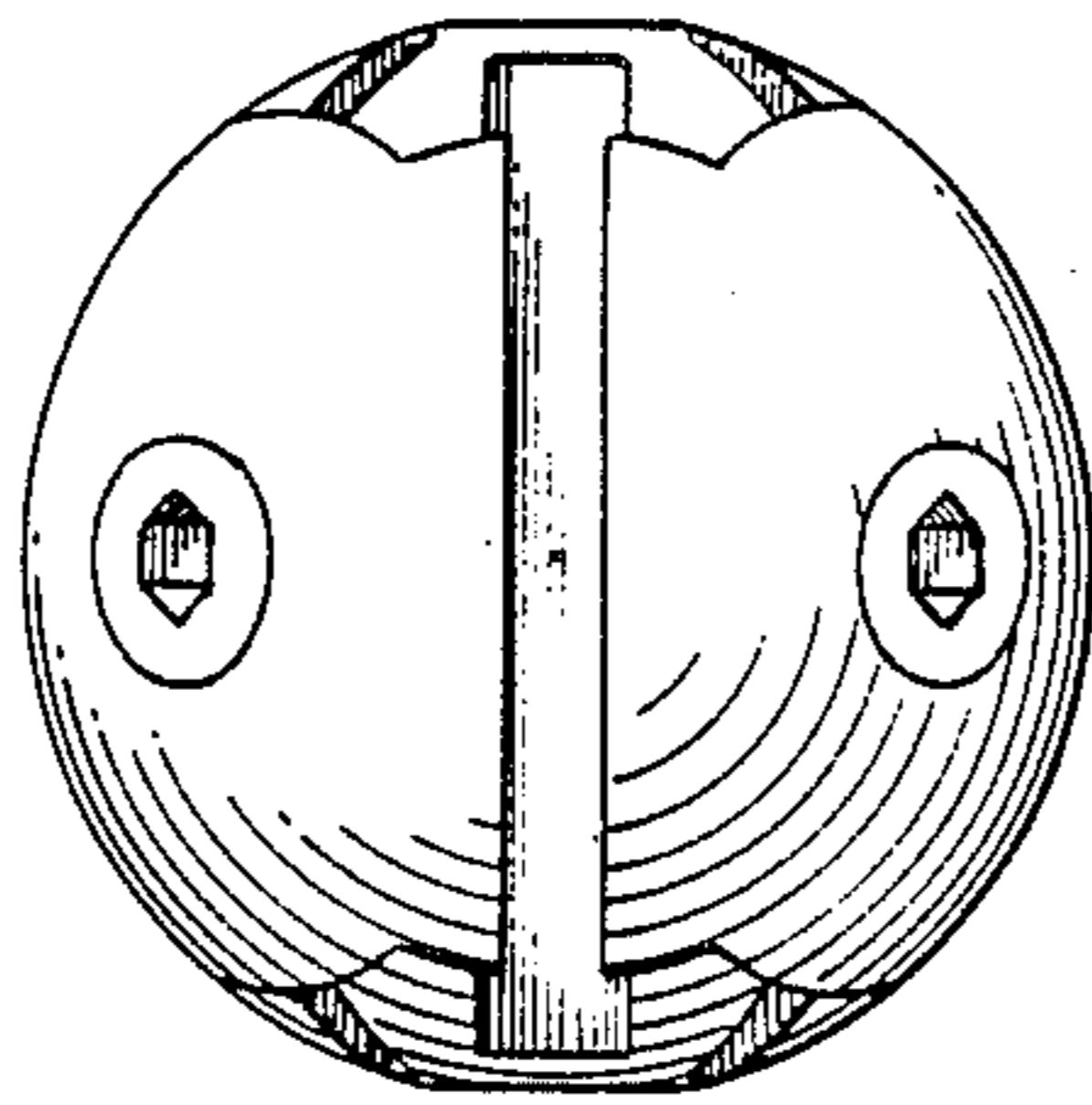


FIG. 2.

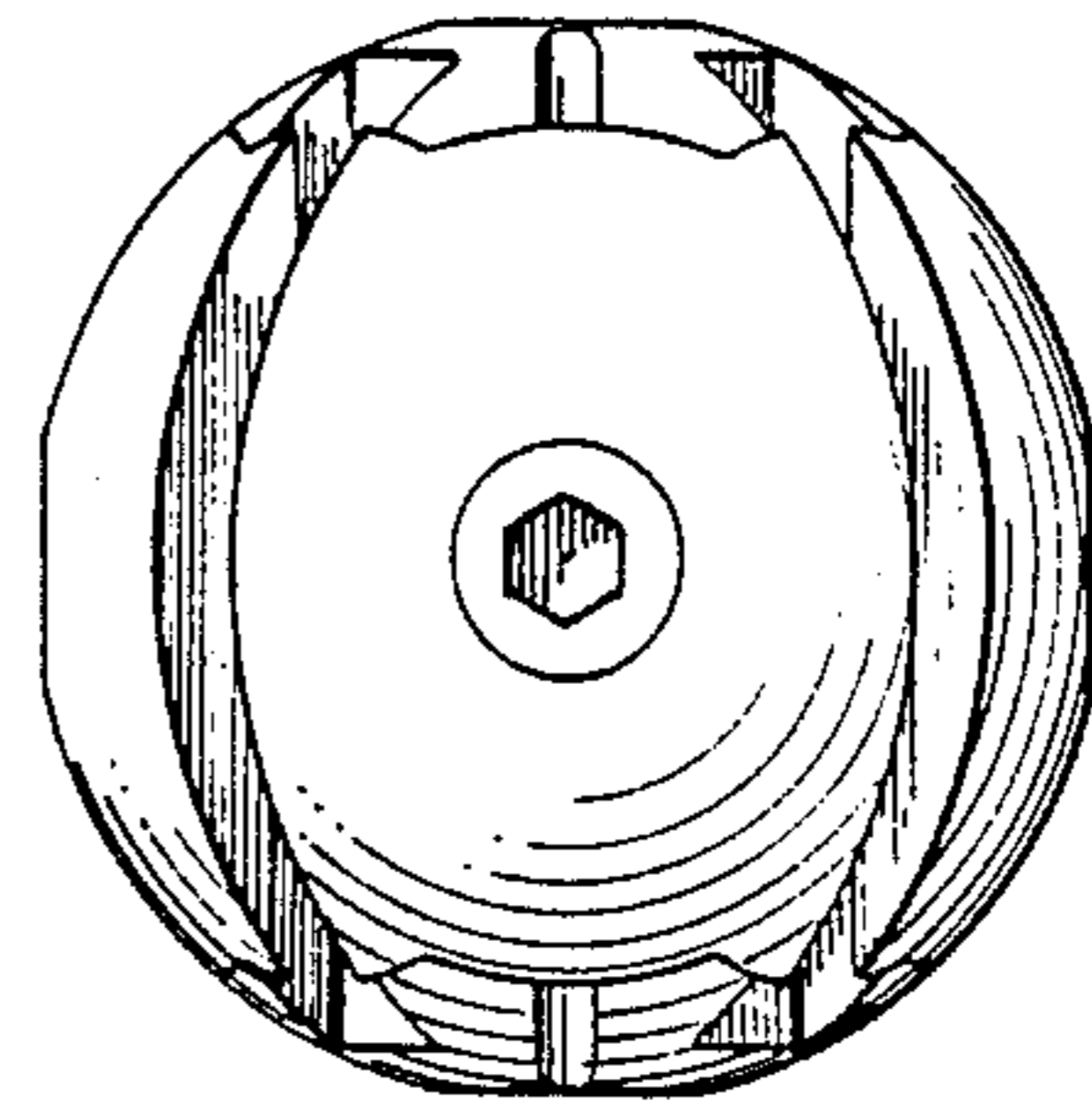


FIG. 3.

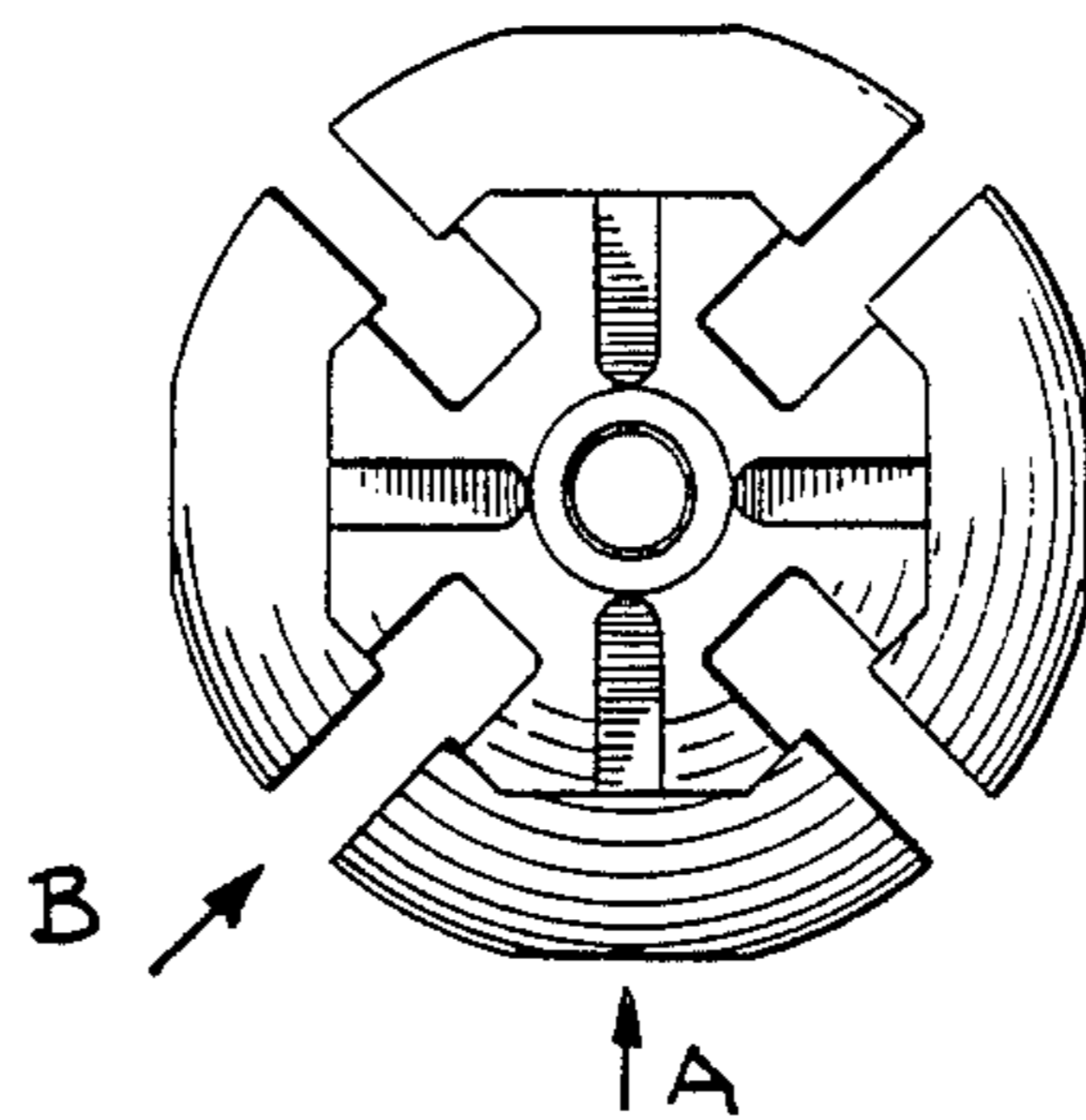


FIG. 4.