

[54] RISER STABILIZER FOR SPRINKLER SYSTEM PIPES

[75] Inventor: Cecil Galloway, Glendora, Calif.

[73] Assignee: Brownline Pipe Inc., Pomona, Calif.

[**] Term: 14 Years

[21] Appl. No.: 408,270

[22] Filed: Aug. 16, 1982

[52] U.S. Cl. D8/356; D23/40

[58] Field of Search D8/71-74, D8/354, 356, 359, 366, 394, 396; 269/95, 181, 240, 246, 247-253, 102, 266; 211/107, 75, 76, 77, 78, 79; 248/75, 76; D23/7-9, 40, 43

[56] References Cited

U.S. PATENT DOCUMENTS

45,360 3/1914 Vail D8/380
D. 234,082 1/1975 Kish D23/43

D. 246,183 10/1977 Keen D23/7
1,716,305 6/1929 Dillman 239/231
2,852,307 9/1958 Clark 239/276
3,105,510 10/1963 Demosthene 239/276

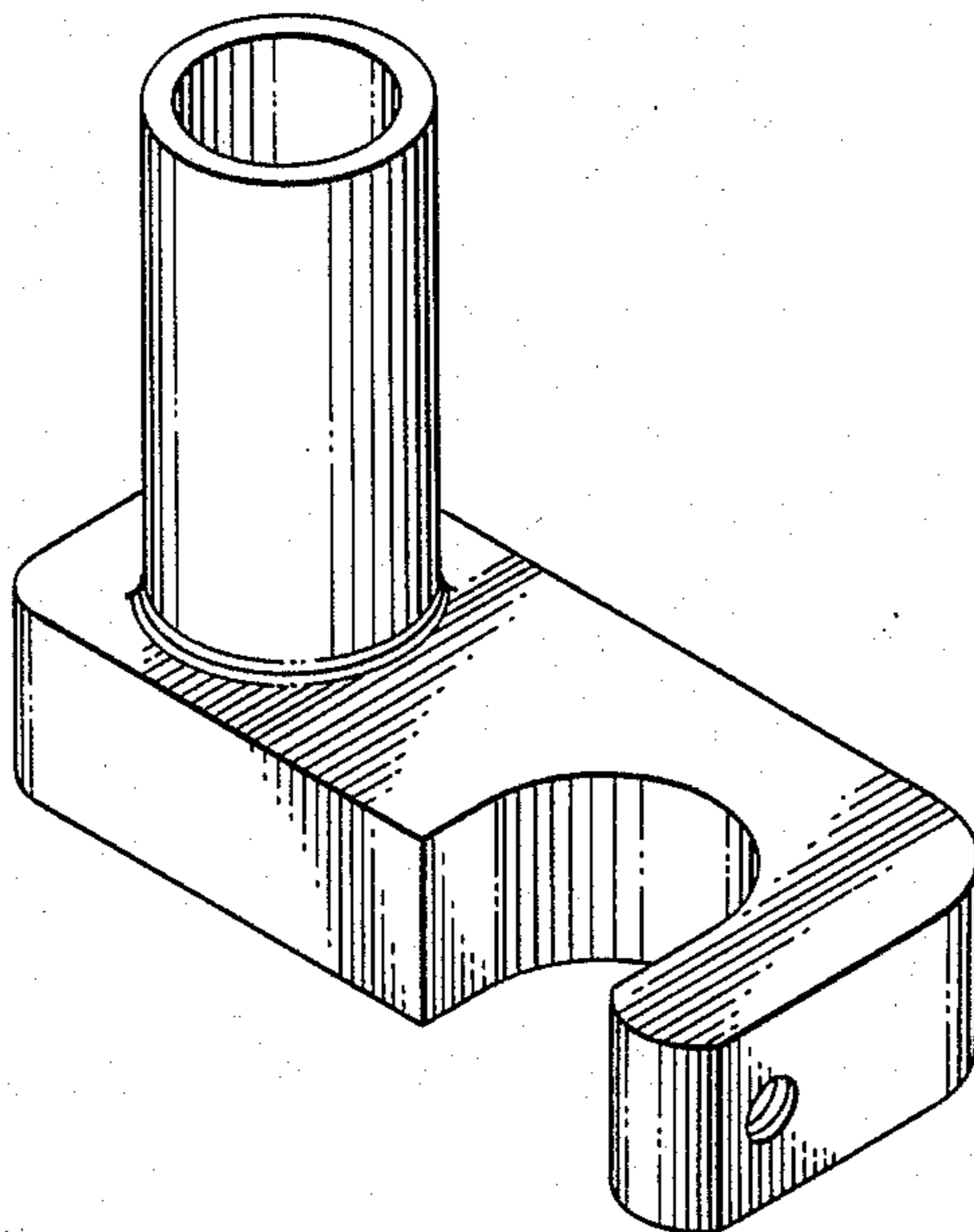
Primary Examiner—Wallace R. Burke
Assistant Examiner—Suzanne N. Gitlin
Attorney, Agent, or Firm—Gausewitz, Carr, Rothenberg & Edwards

[57] CLAIM

The ornamental design for a riser stabilizer for sprinkler system pipes, substantially as shown and described.

DESCRIPTION

FIG. 1 is a perspective view of a riser stabilizer for sprinkler system pipes showing my new design;
FIG. 2 is a top view thereof;
FIG. 3 is a bottom view thereof;
FIG. 4 is a side elevational view taken from the right of FIG. 1; and
FIG. 5 is a front elevation.



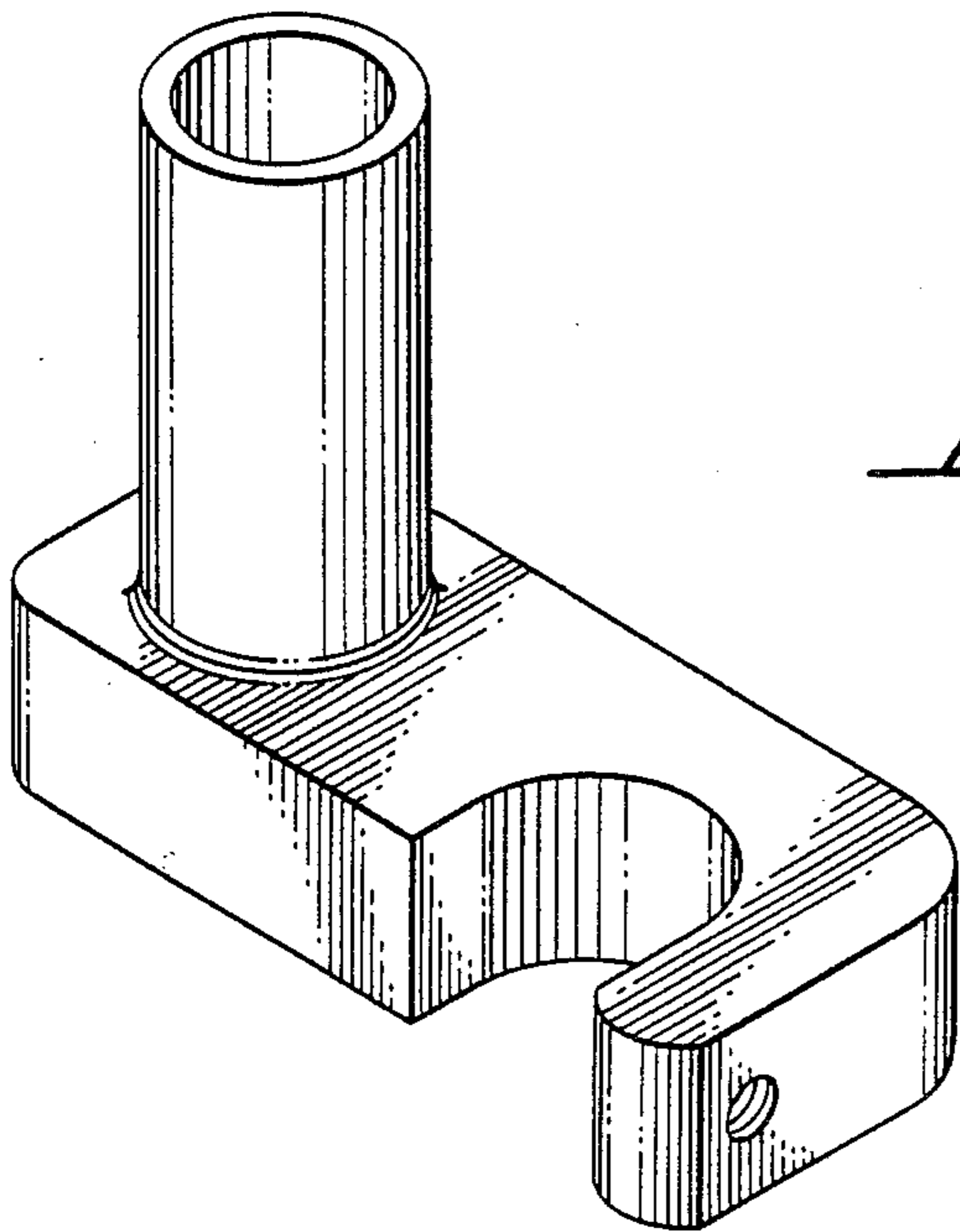


FIG. 1.

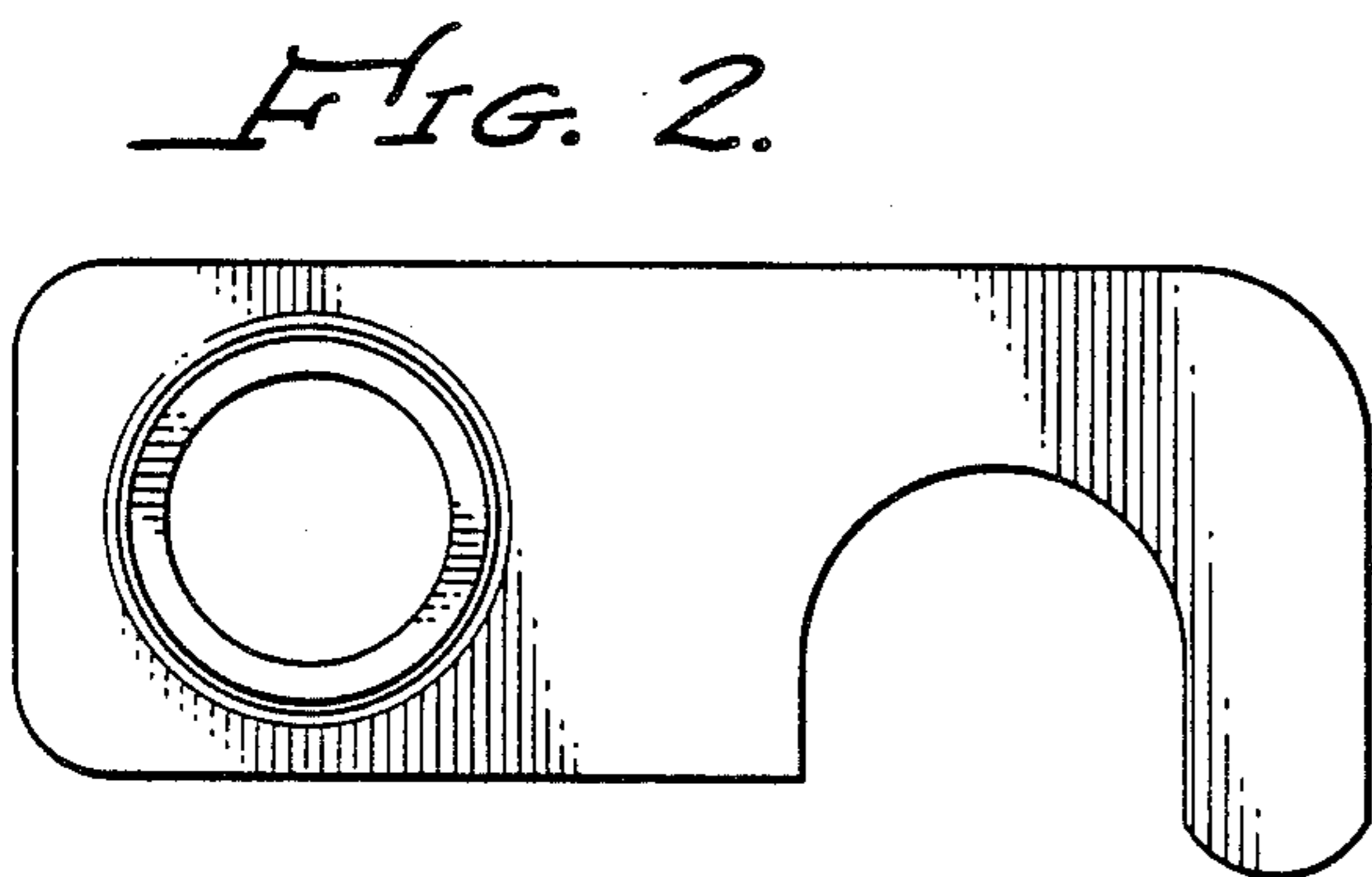


FIG. 2.

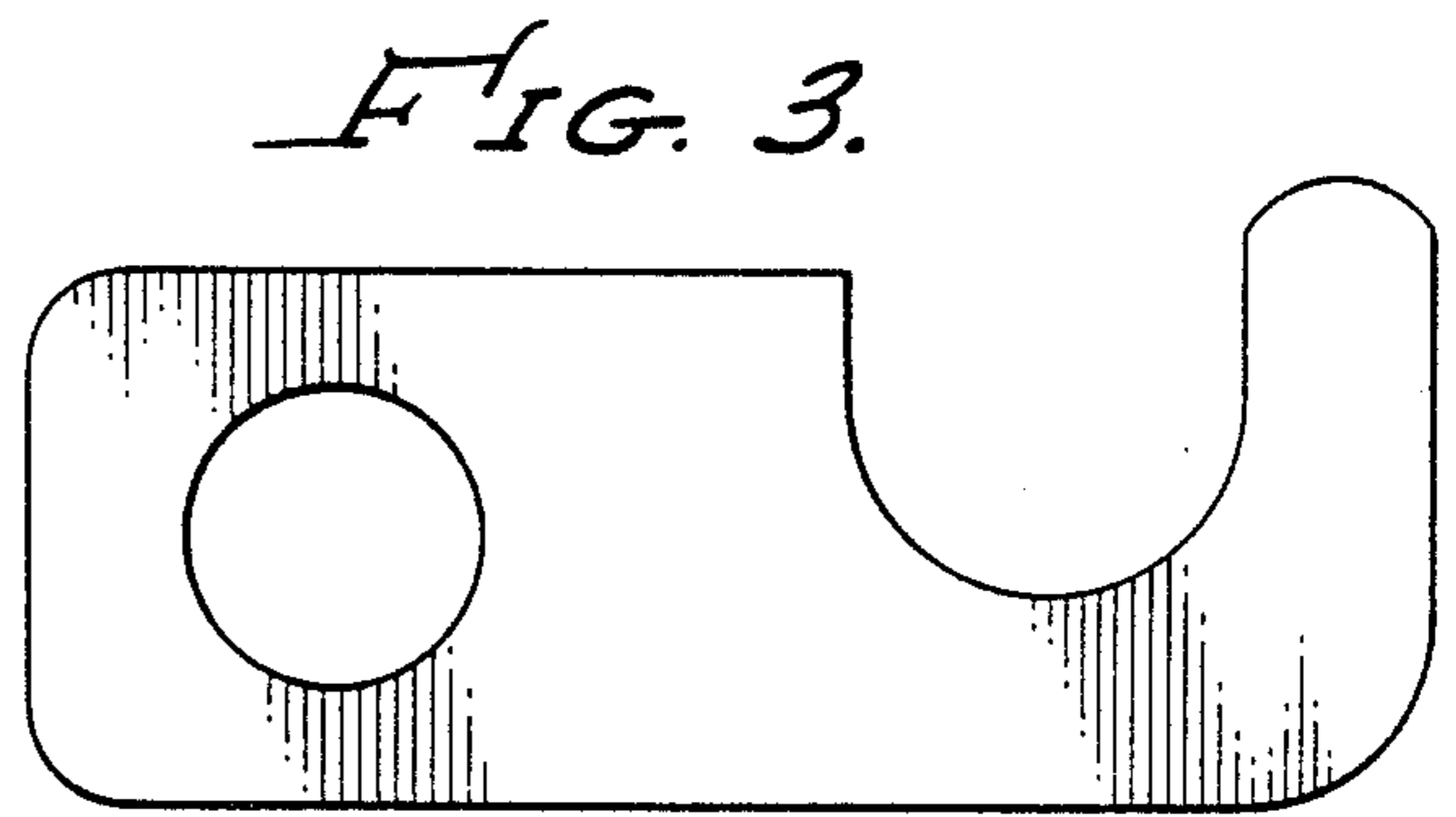


FIG. 3.

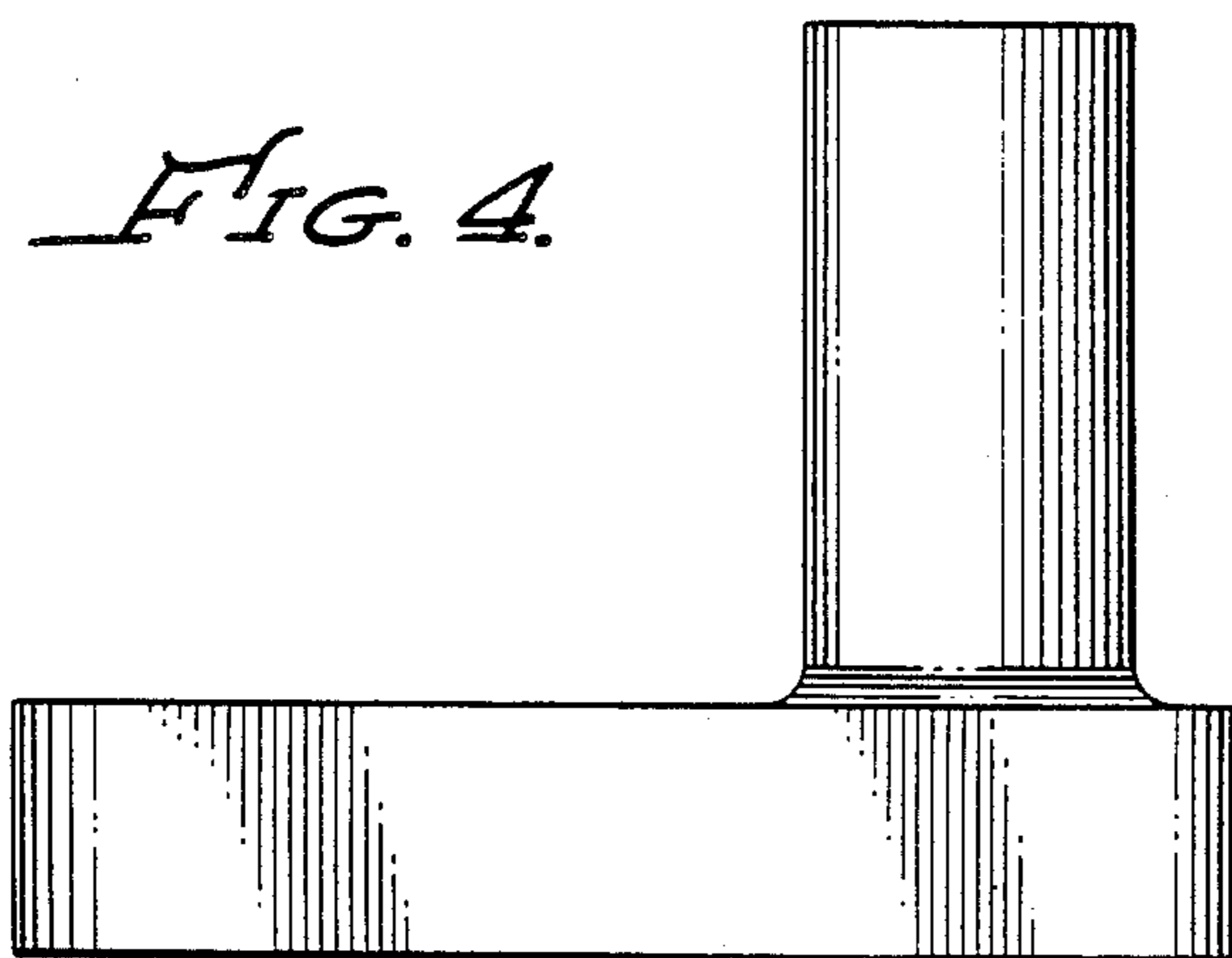


FIG. 4.

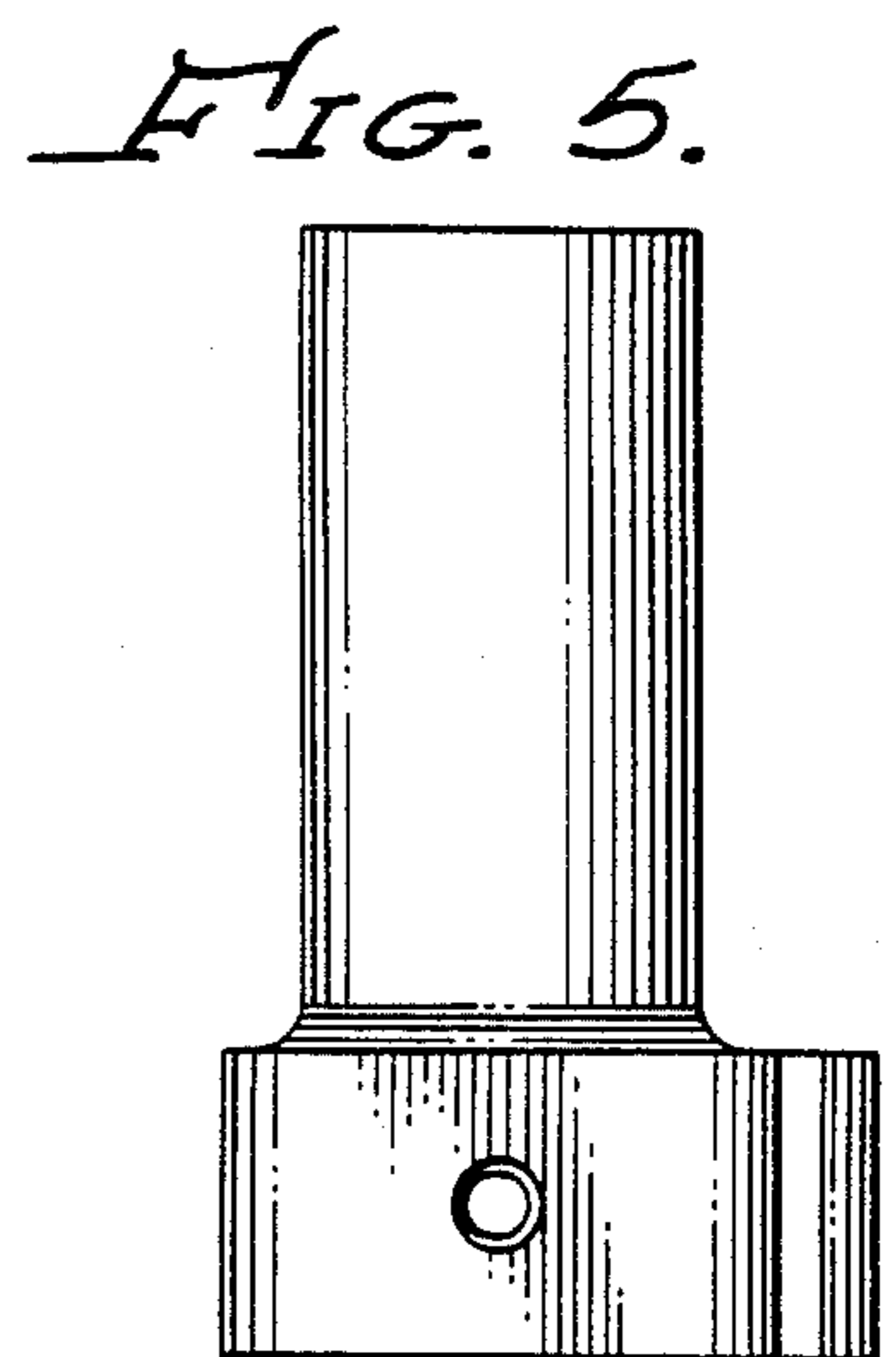


FIG. 5.