

[54] **CONTAINER CLOSURE WITH CAPPED OPENING OR THE LIKE**

[75] Inventors: **Robert H. C. M. Daenen**, Hekelgem, Belgium; **Martin J. Wolff**, North Providence, R.I.

[73] Assignee: **Dart Industries Inc.**, Northbrook, Ill.

[**] Term: **14 Years**

[21] Appl. No.: **407,975**

[22] Filed: **Aug. 13, 1982**

[52] U.S. Cl. **D7/392**

[58] Field of Search 220/353, 355; D7/76, D7/51, 40, 391, 392; D9/435, 444, 445, 447, 450, 454

1,349,084 8/1920 Moore 211/41
 1,952,457 8/1932 Painter 280/12 R
 2,435,698 2/1948 Running 211/49
 2,544,053 3/1951 Sharaf 211/41
 2,844,909 7/1958 Perchinsky 45/137
 2,908,394 10/1959 Thowman 211/40

FOREIGN PATENT DOCUMENTS

236110 9/1959 Australia 211/50
 69487 7/1945 Norway 211/40

OTHER PUBLICATIONS

Tupperware Home Parties, p. 10, C60 Storage Rack for Coasters.

Primary Examiner—Winifred E. Herrmann
Attorney, Agent, or Firm—John A. Doninger

[57] **CLAIM**

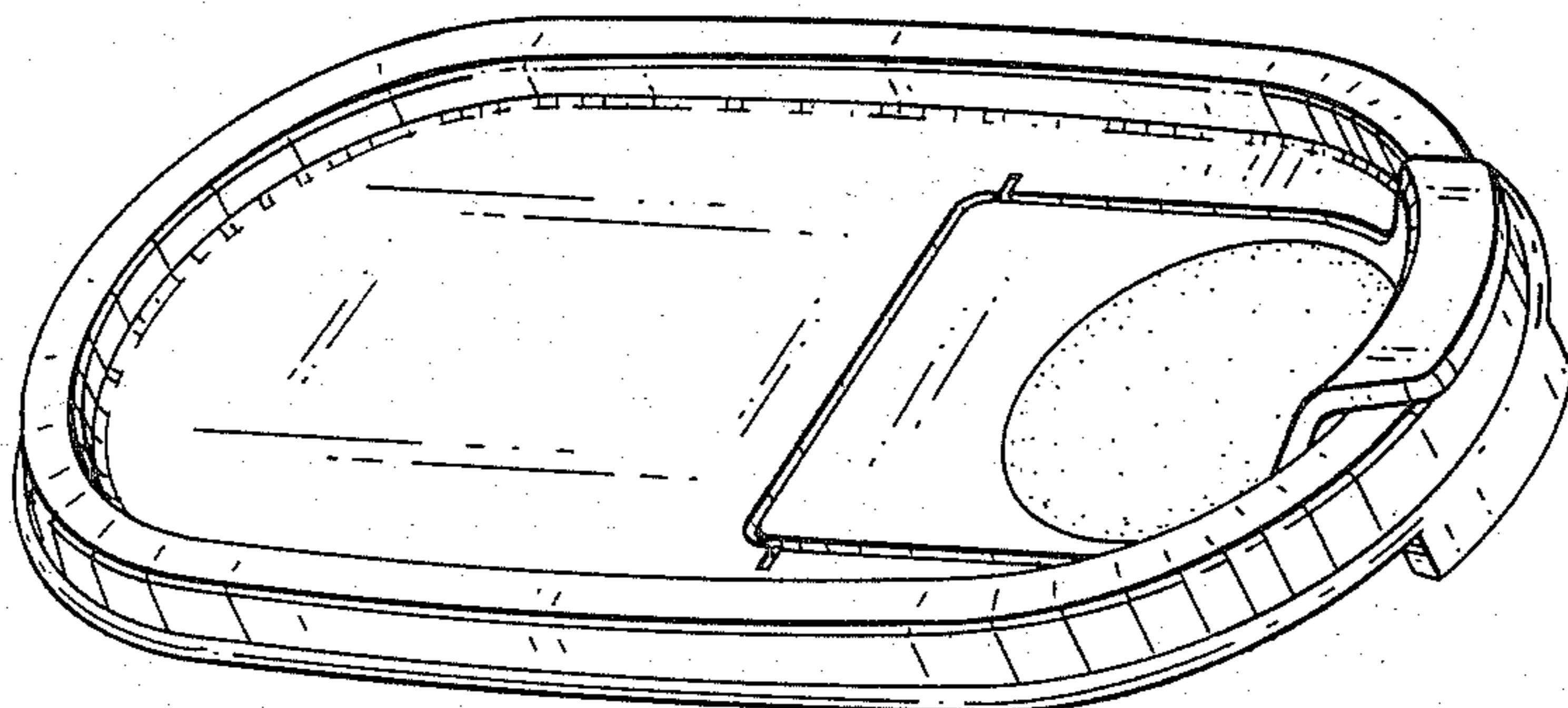
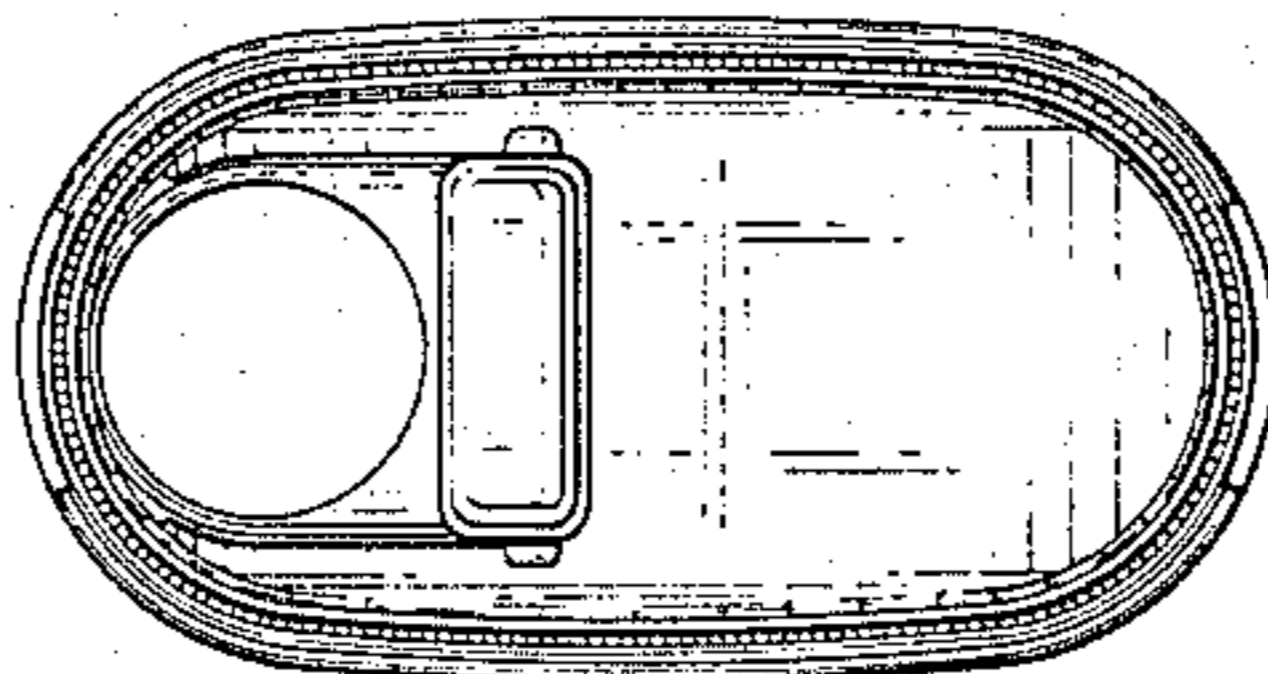
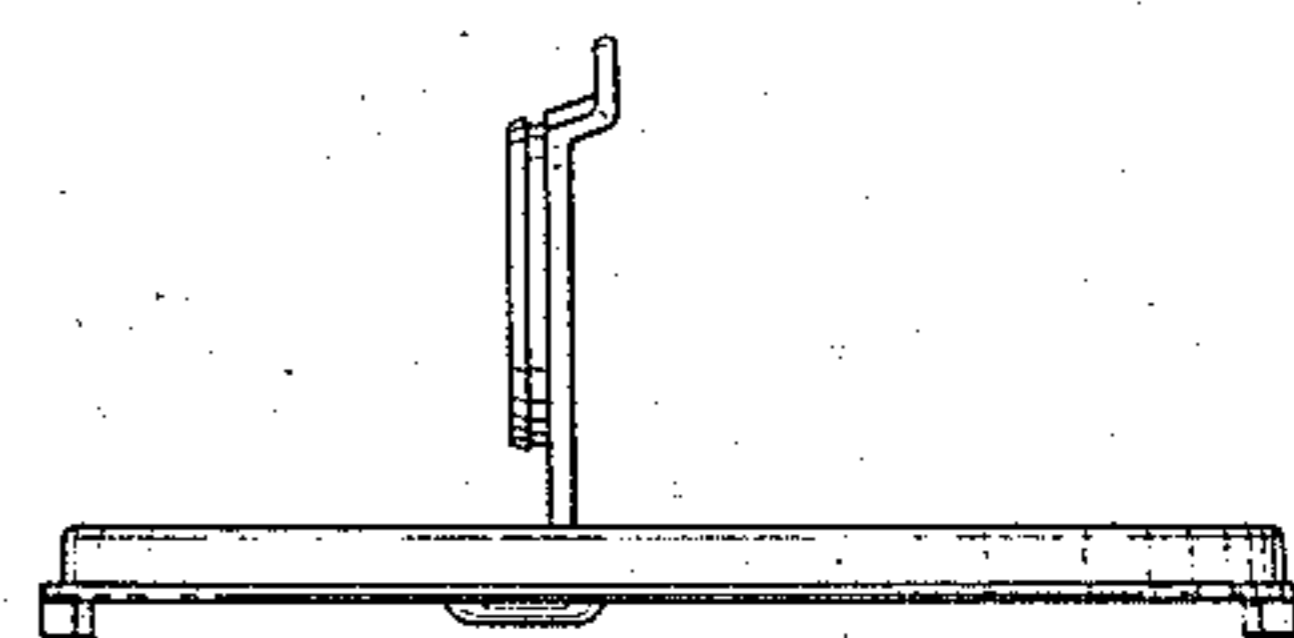
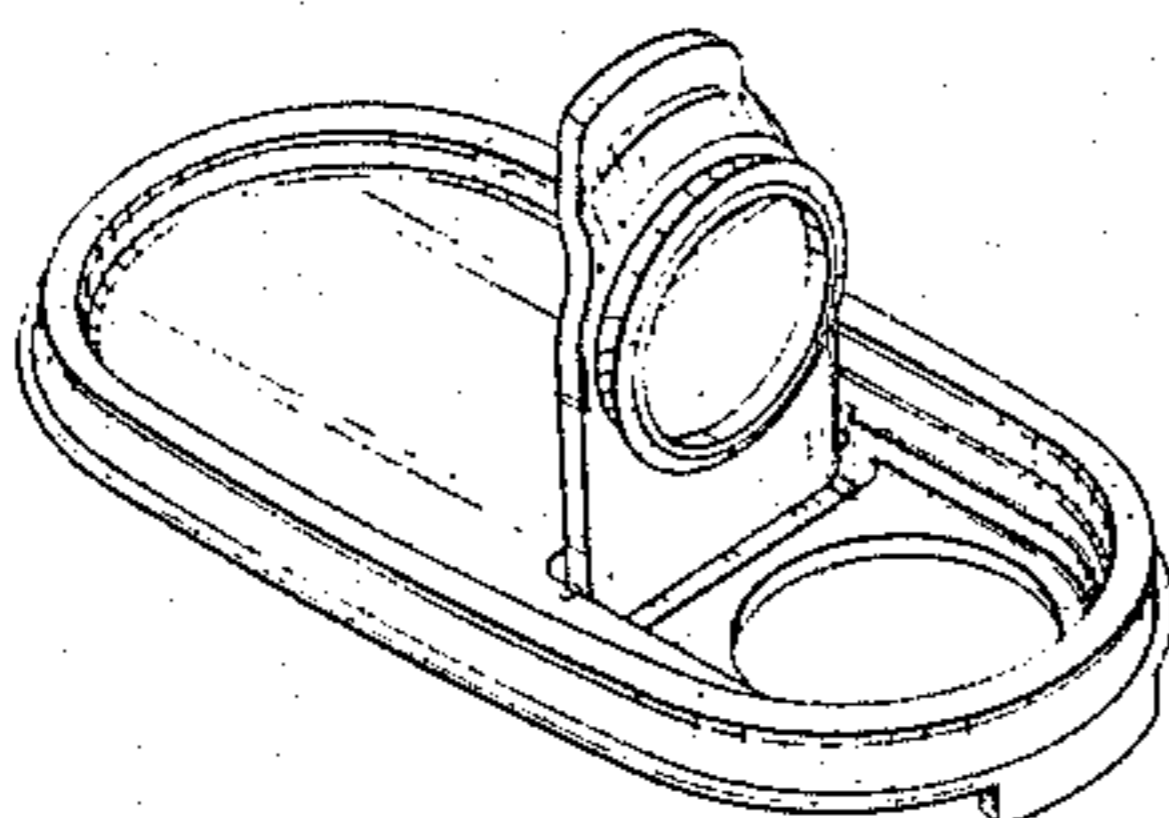
The ornamental design for a tumbler seal rack or the like, substantially as shown.

DESCRIPTION

FIG. 1 is a top perspective view of a tumbler seal rack or the like showing my new design;
 FIG. 2 is an end elevational view thereof;
 FIG. 3 is a side elevational view thereof;
 FIG. 4 is a top plan view thereof;
 FIG. 5 is a bottom plan view thereof; and
 FIG. 6 is a cross-sectional view taken along line 6—6 of FIG. 4.

[56] **References Cited**
U.S. PATENT DOCUMENTS

D. 49,147 6/1916 Holden D6/475
 D. 118,305 12/1939 Garson D9/432
 D. 129,718 9/1941 West D6/470
 D. 138,337 7/1944 Braloff D6/407
 D. 153,115 3/1949 Childs D7/45 X
 D. 162,120 2/1951 Brach D6/475
 D. 167,810 9/1952 Roop D7/72
 D. 198,578 7/1964 Strauss D6/475
 D. 242,313 11/1976 Stentz D6/574
 D. 247,626 3/1978 Riches D19/90



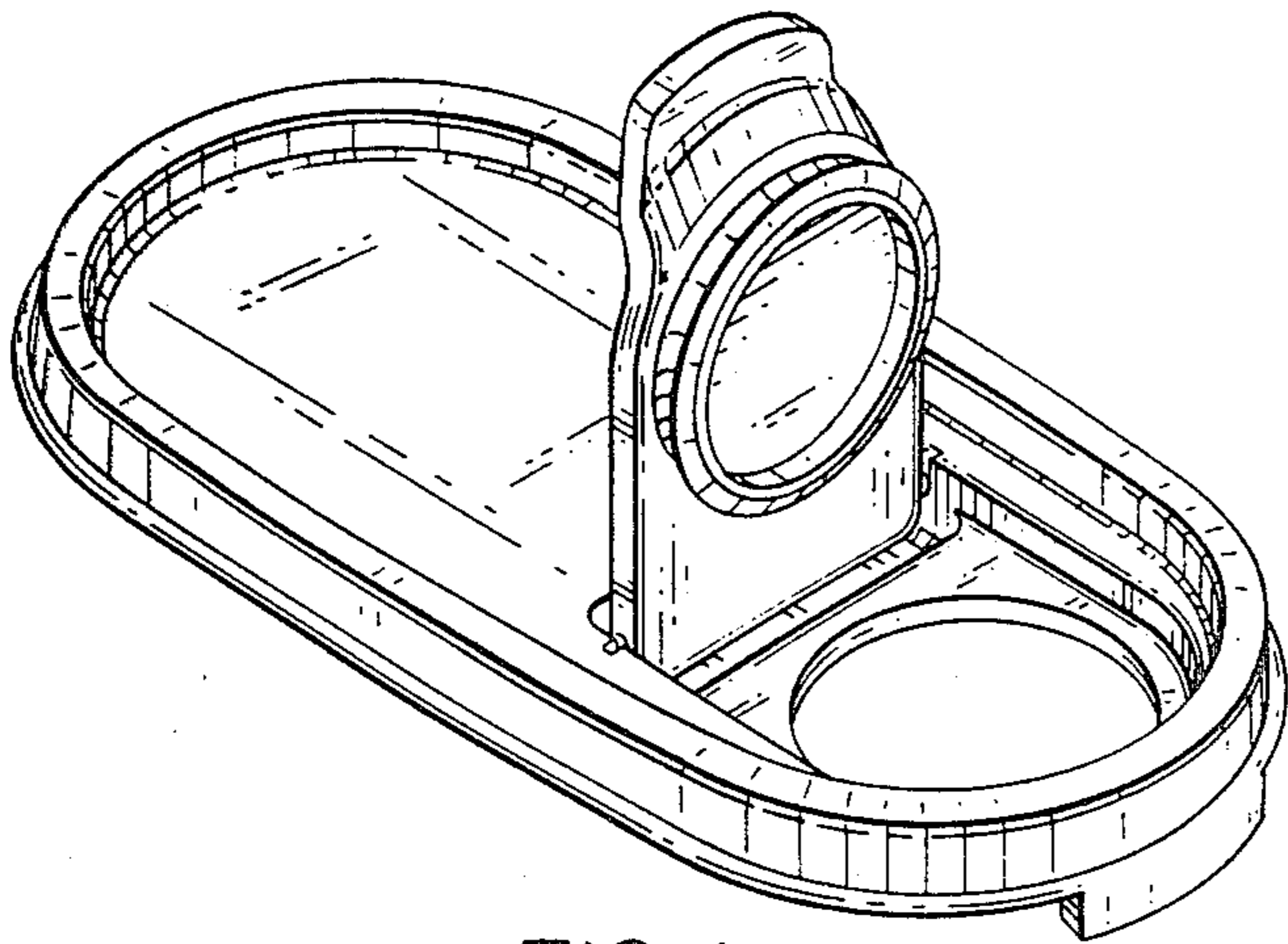


FIG. 1

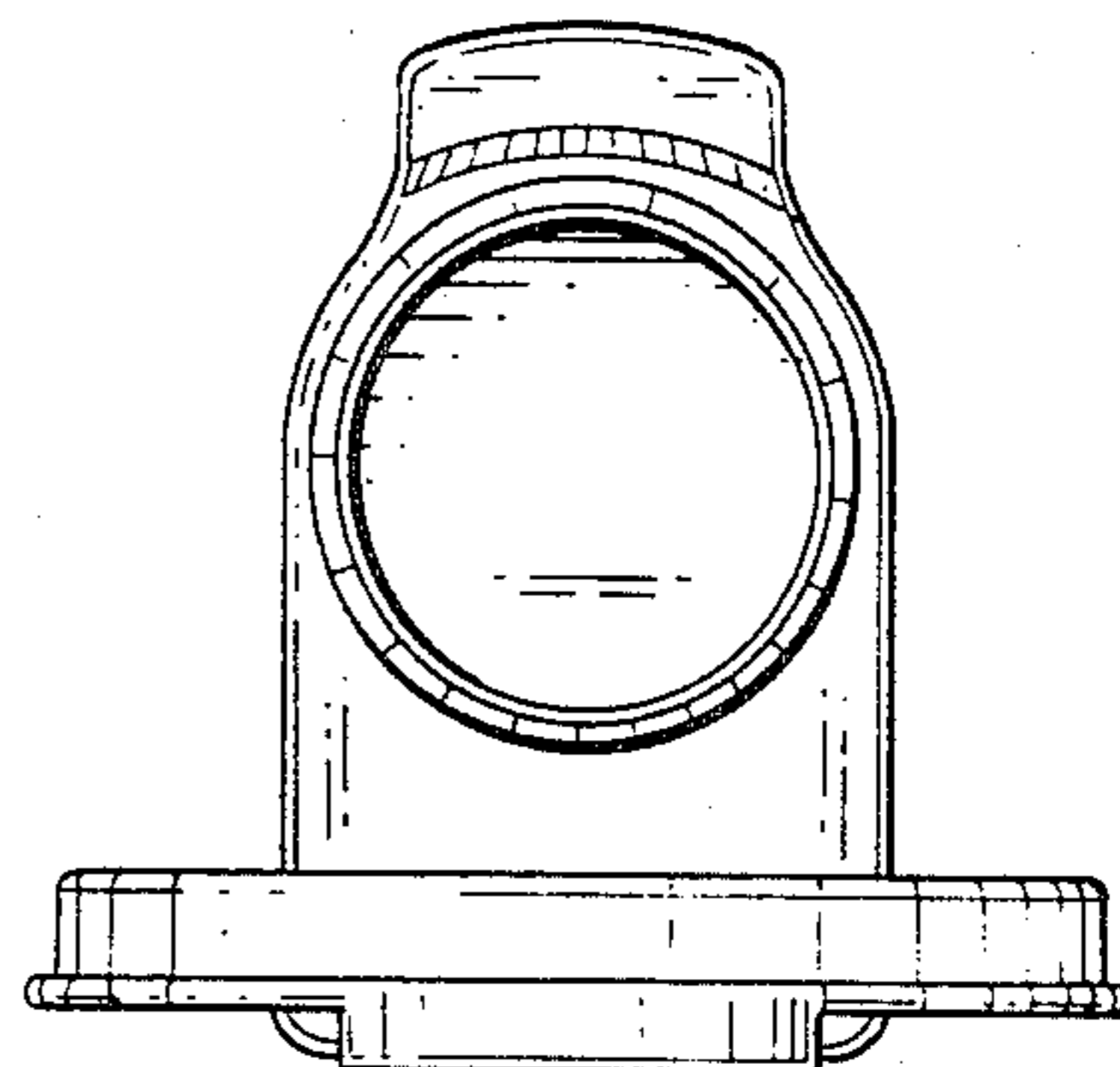


FIG. 2

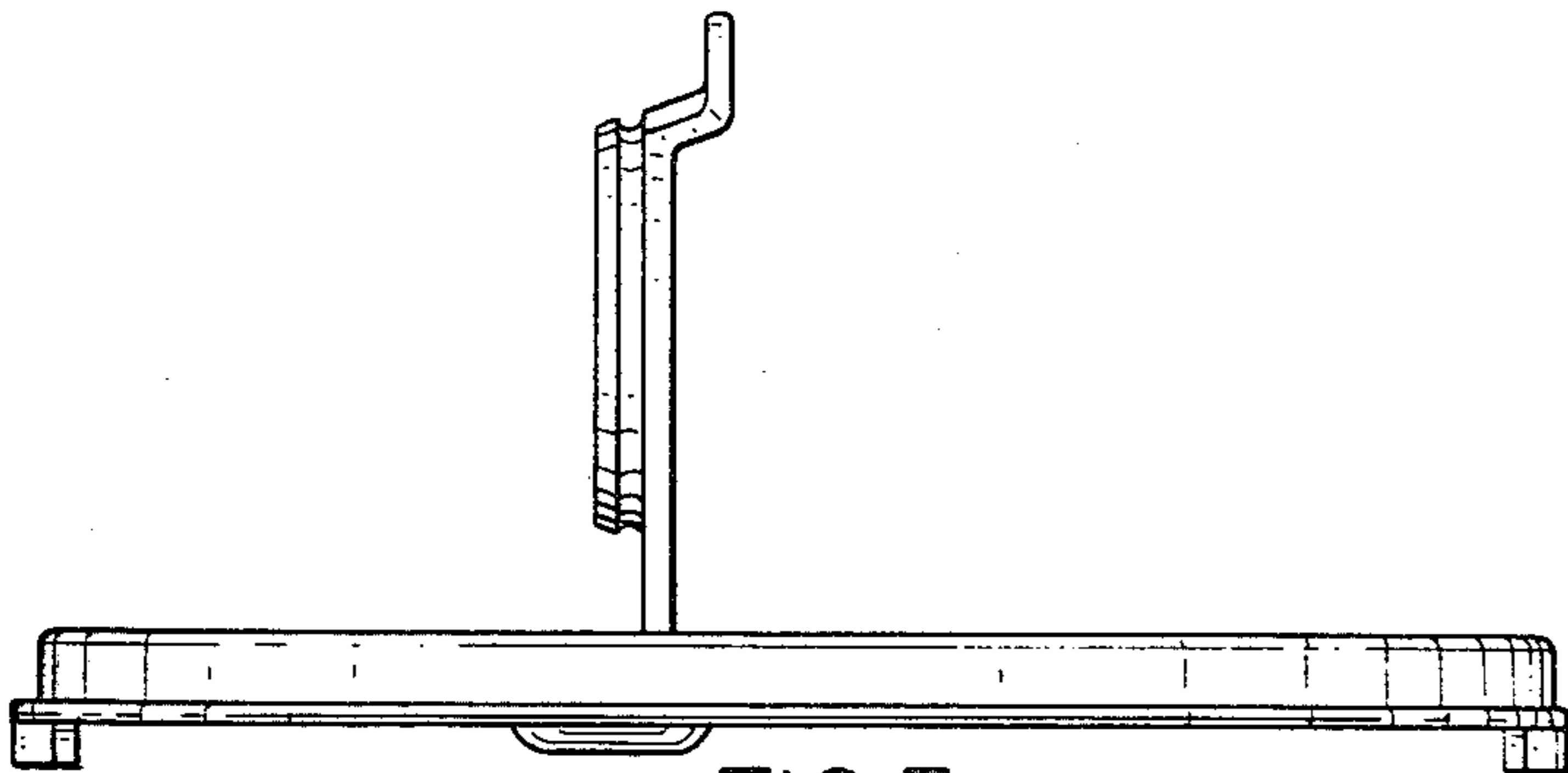


FIG. 3

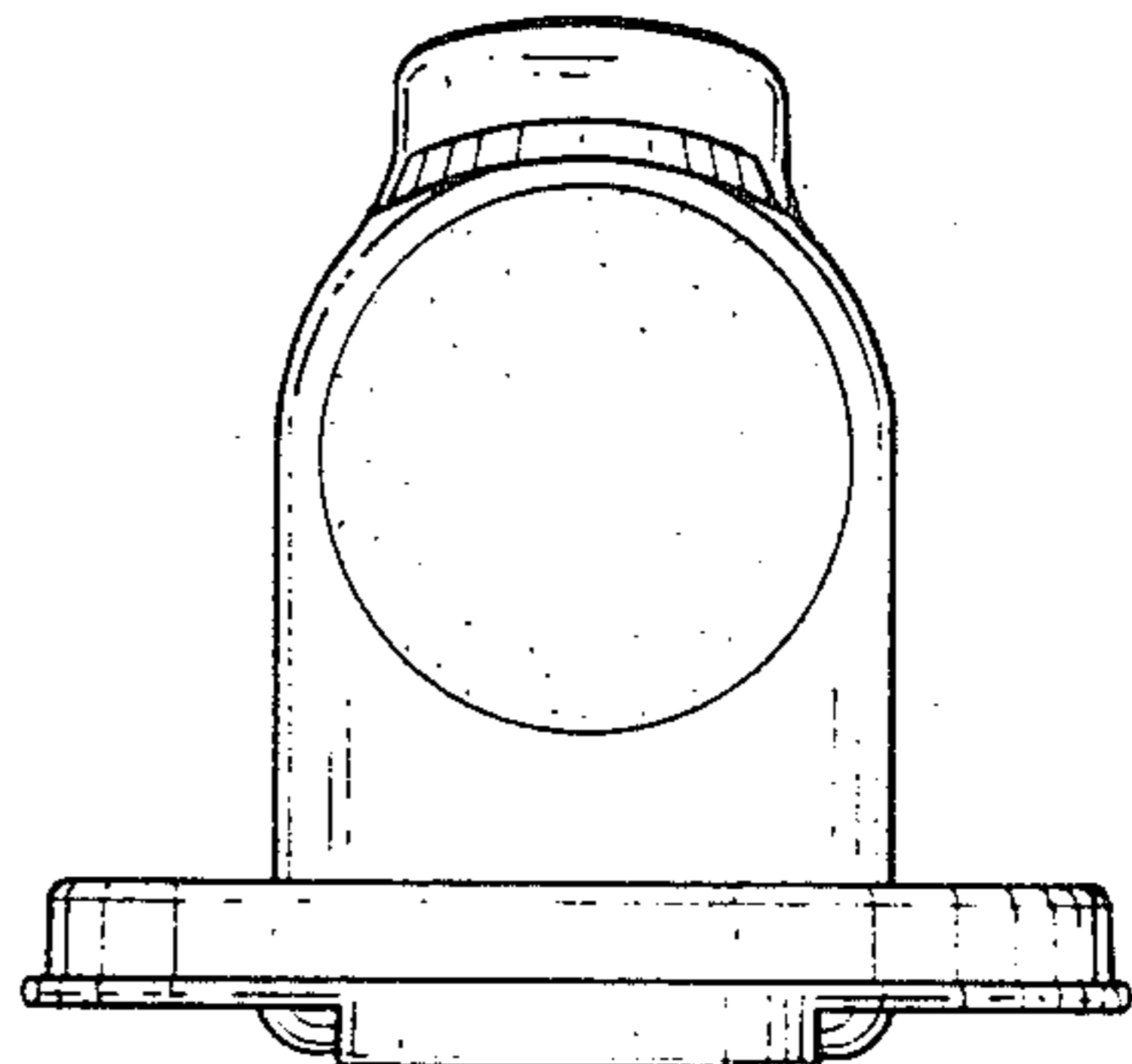


FIG. 4

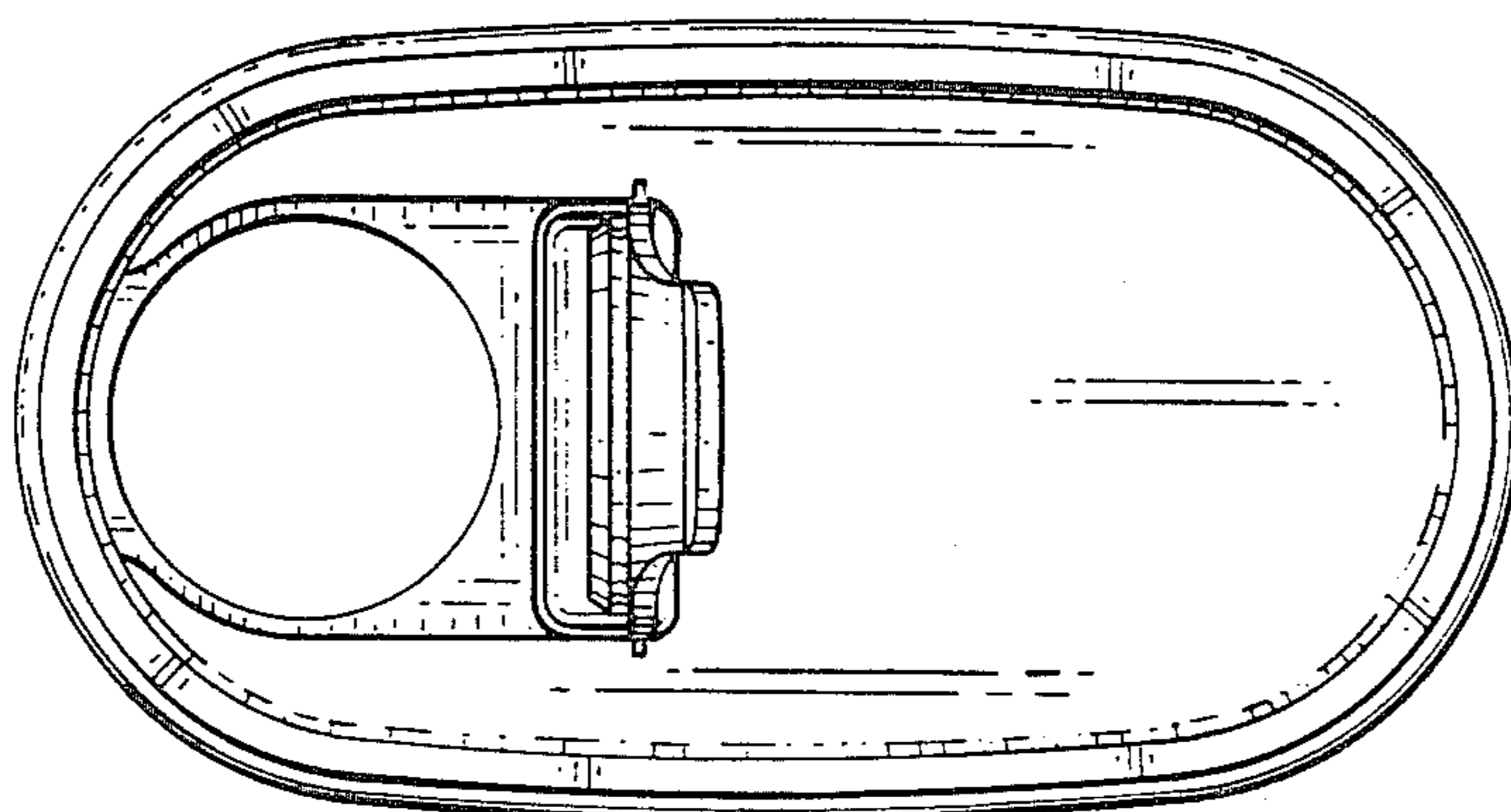


FIG. 5

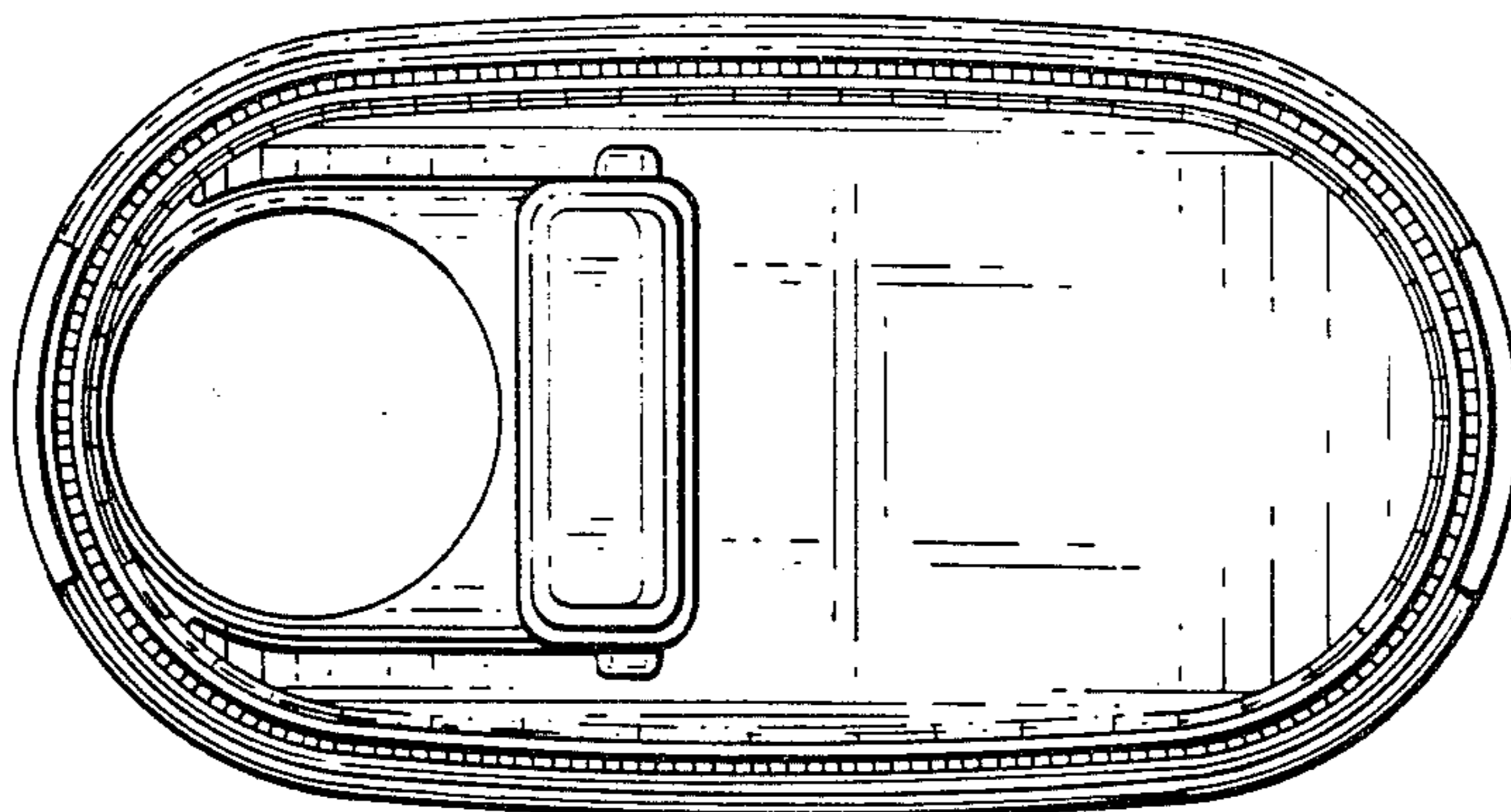


FIG. 6

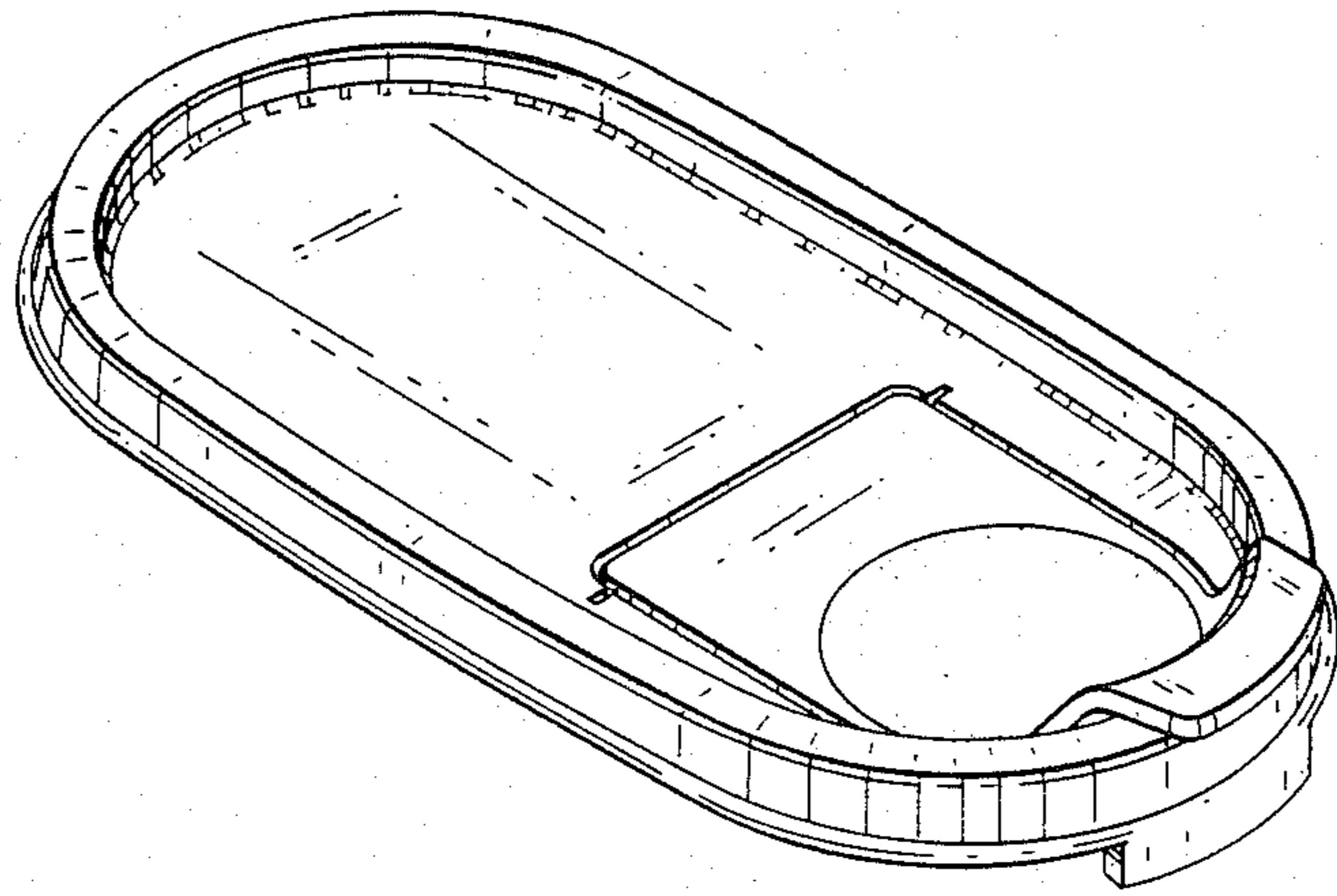


FIG. 7

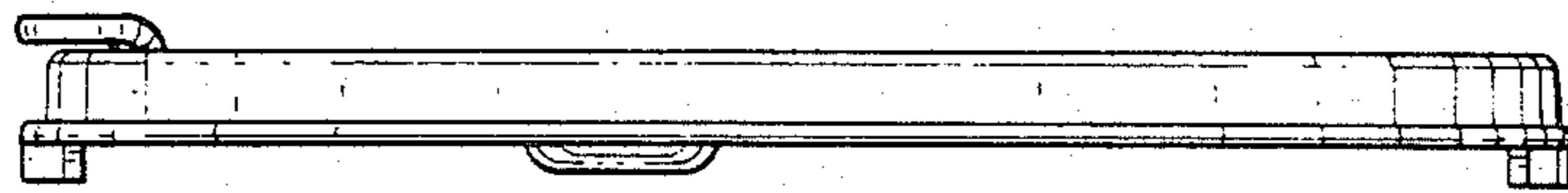


FIG. 8

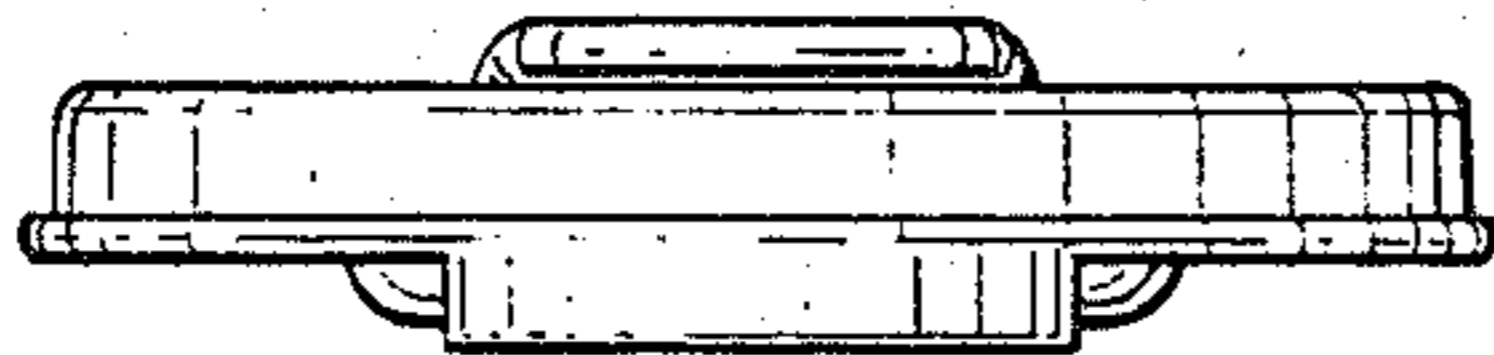


FIG. 9



FIG. 10

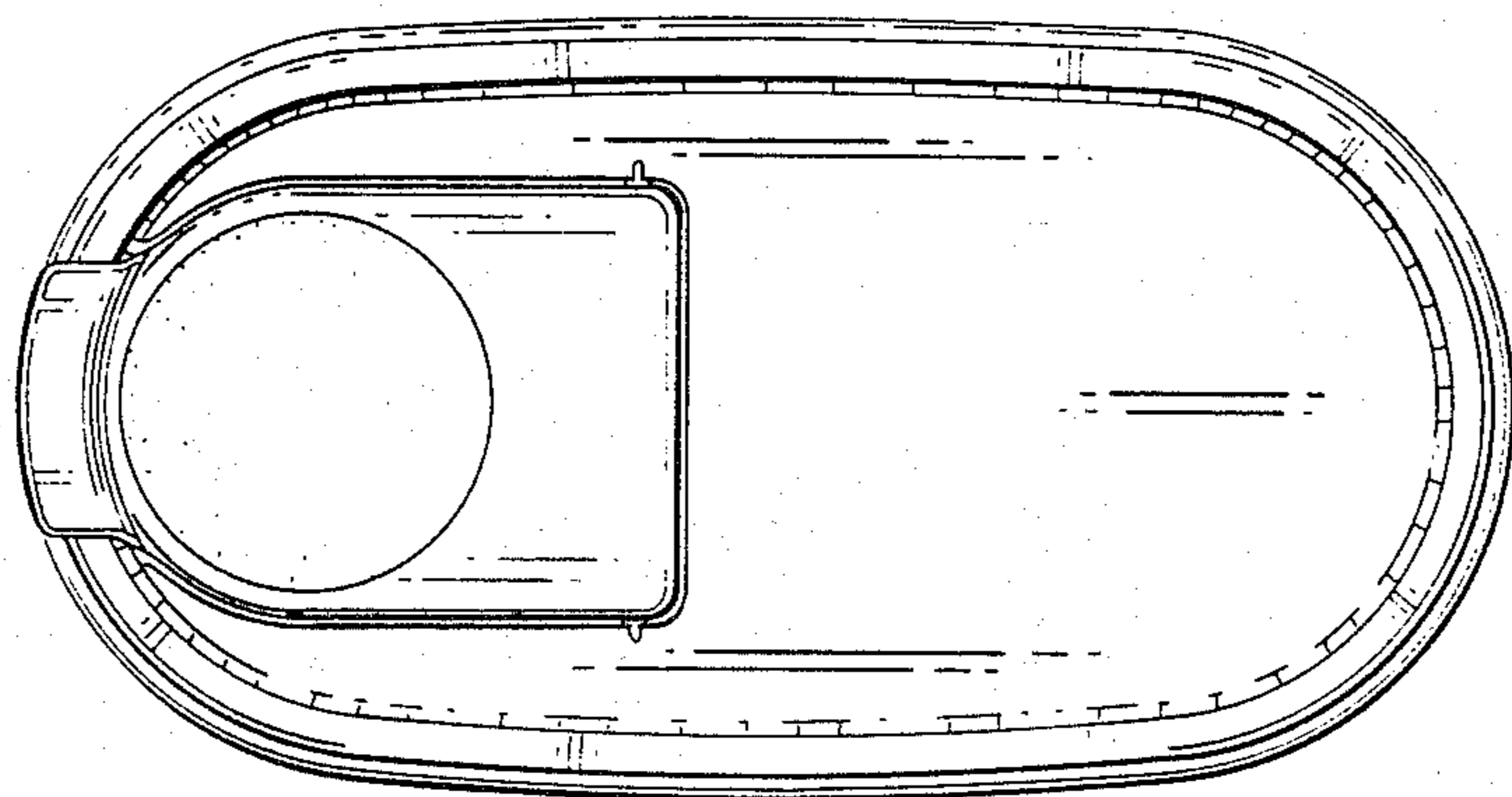


FIG. 11

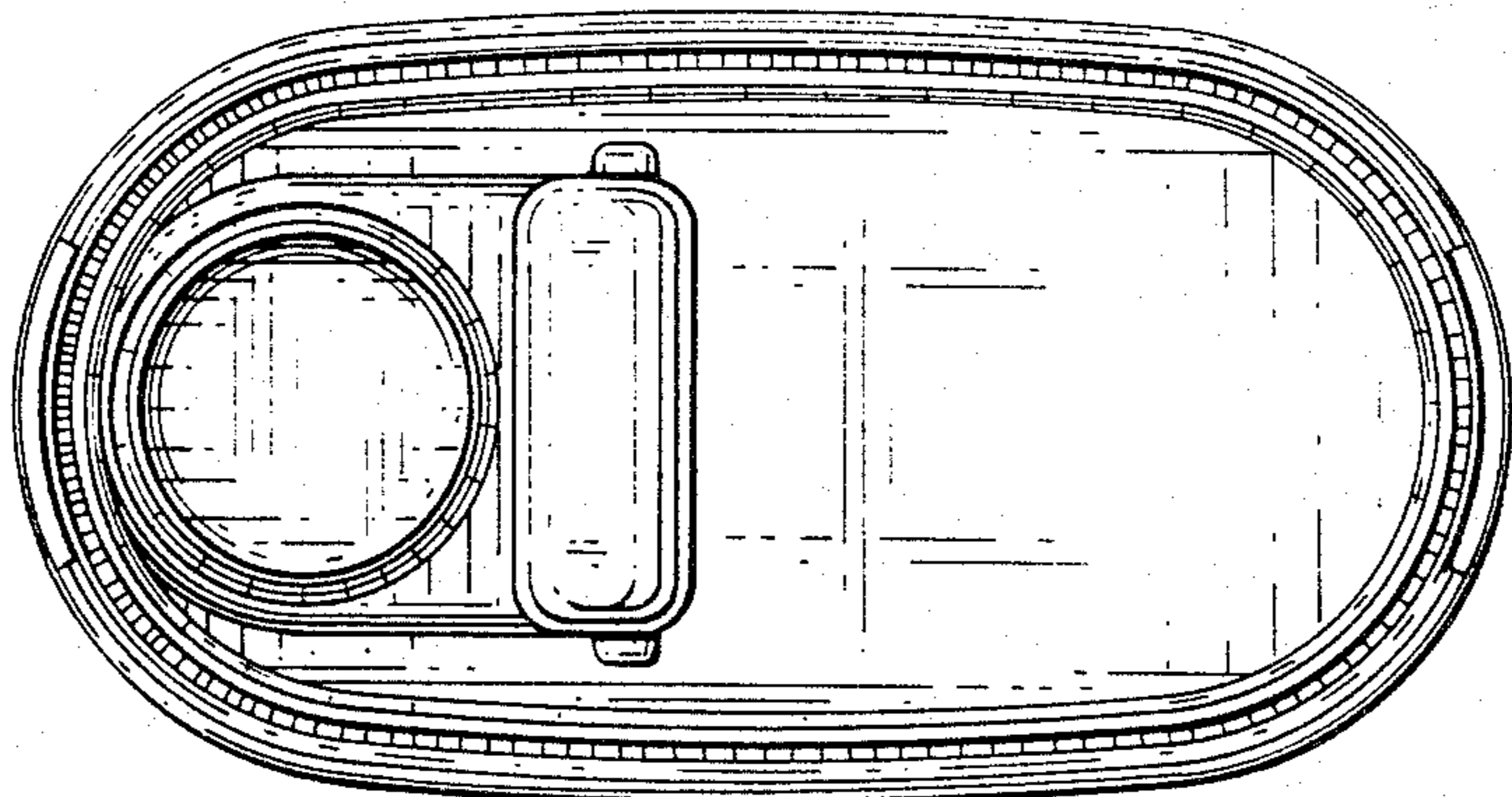


FIG. 12