

- [54] **TUMBLER SEAL RACK OR THE LIKE**
 [75] **Inventor: Martin J. Wolff, North Providence, R.I.**
 [73] **Assignee: Dart Industries Inc., Northbrook, Ill.**
 [**] **Term: 14 Years**
 [21] **Appl. No.: 433,949**
 [22] **Filed: Oct. 12, 1982**
 [52] **U.S. Cl. D6/475; D7/72; D19/90**
 [58] **Field of Search D6/449, 459, 475, 512, D6/518, 574; D7/79, 81, 57, 76, 72, 70, 45, 411; D9/4, 14, 341; D19/90; 211/41, 40, 50**

[56] **References Cited**
U.S. PATENT DOCUMENTS

D. 49,147	6/1916	Holden	D6/475
D. 118,305	12/1939	Garson	D9/432
D. 129,718	9/1941	West	D6/470
D. 138,337	7/1944	Braloff	D6/407
D. 153,115	3/1949	Childs	D7/45 X
D. 162,120	2/1951	Brach	D6/475
D. 167,810	9/1952	Roop	D7/72
D. 198,578	7/1964	Strauss	D6/475
D. 242,313	11/1976	Stentz	D6/574
D. 247,626	3/1978	Riches	D19/90
1,349,084	8/1920	Moore	211/41
1,952,457	8/1932	Painter	280/12 R

2,435,698	2/1948	Running	211/49
2,544,053	3/1951	Sharaf	211/41
2,844,909	7/1958	Perchinsky	45/137
2,908,394	10/1959	Thoweman	211/40

FOREIGN PATENT DOCUMENTS

236110	9/1959	Australia	211/50
69487	7/1945	Norway	211/40

OTHER PUBLICATIONS

Tupperware Home Parties, p. 10, C60 Storage Rack for Coasters.

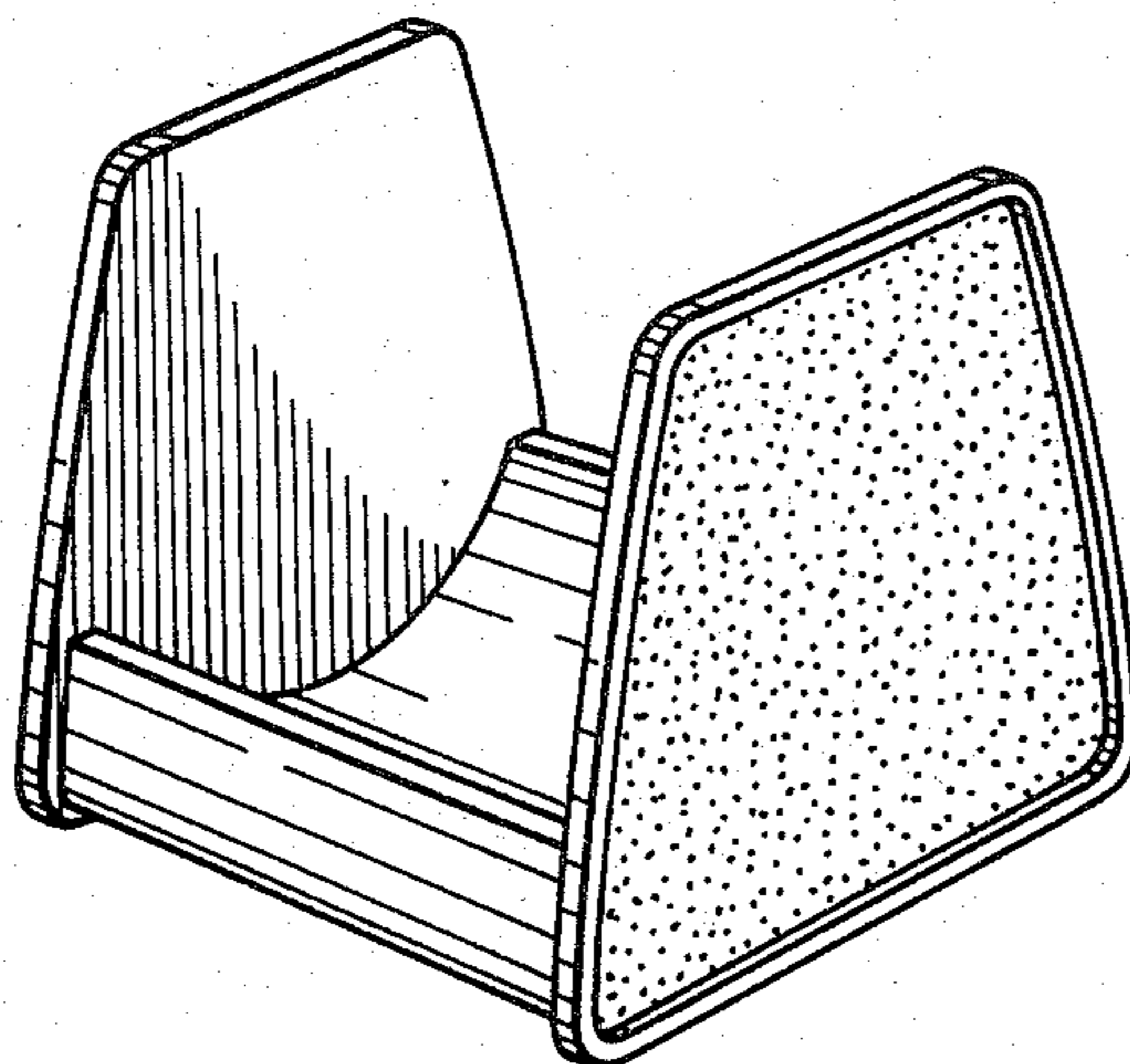
Primary Examiner—Melvin B. Feifer
Assistant Examiner—Linda M. Titolo
Attorney, Agent, or Firm—John A. Doninger

[57] **CLAIM**

The ornamental design for a tumbler seal rack or the like, substantially as shown.

DESCRIPTION

FIG. 1 is a top perspective view of a tumbler seal rack or the like showing my new design;
 FIG. 2 is an end elevational view thereof;
 FIG. 3 is a side elevational view thereof;
 FIG. 4 is a top plan view thereof;
 FIG. 5 is a bottom plan view thereof; and
 FIG. 6 is a cross-sectional view taken along line 6—6 of FIG. 4.



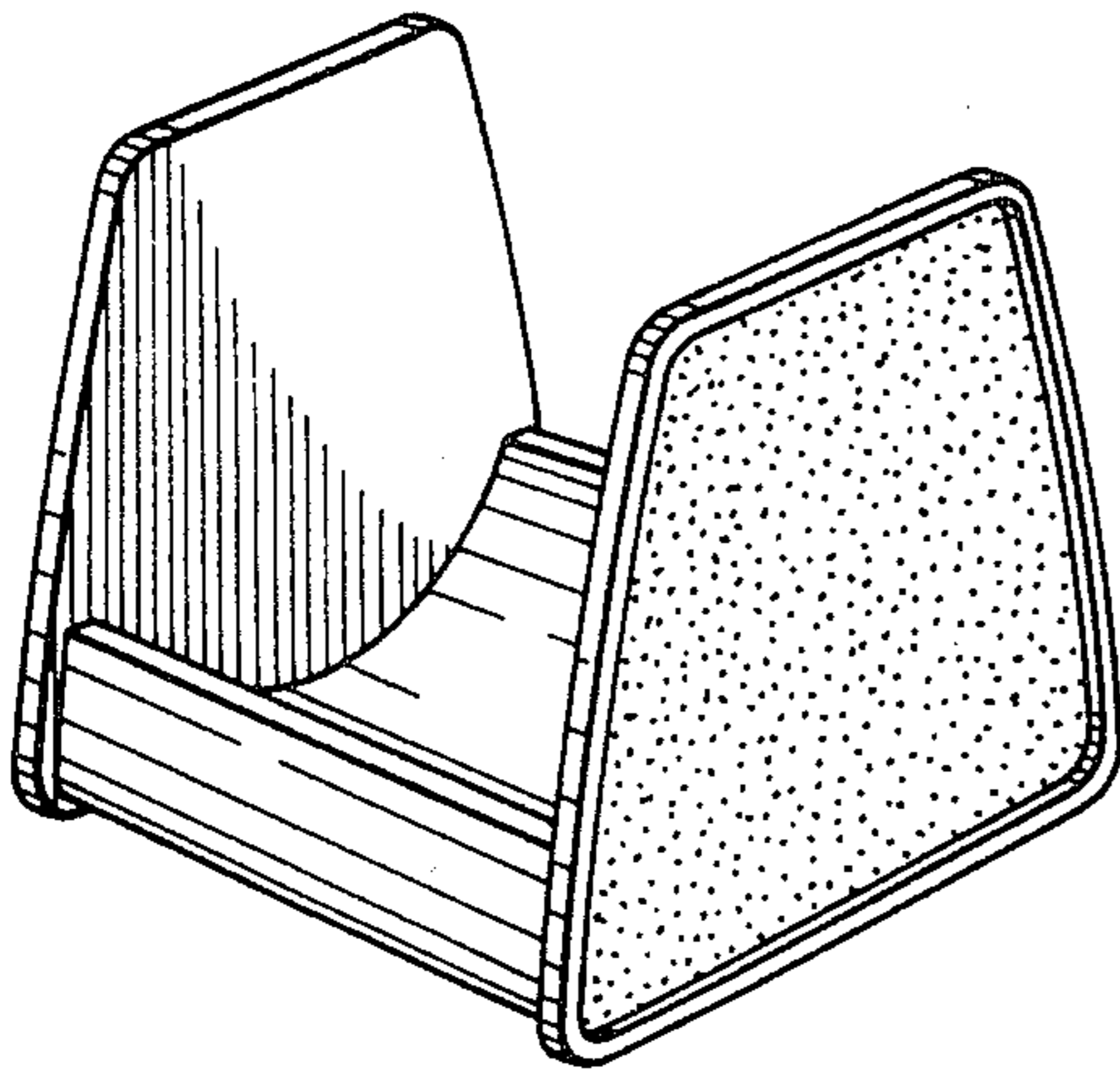


FIG. 1

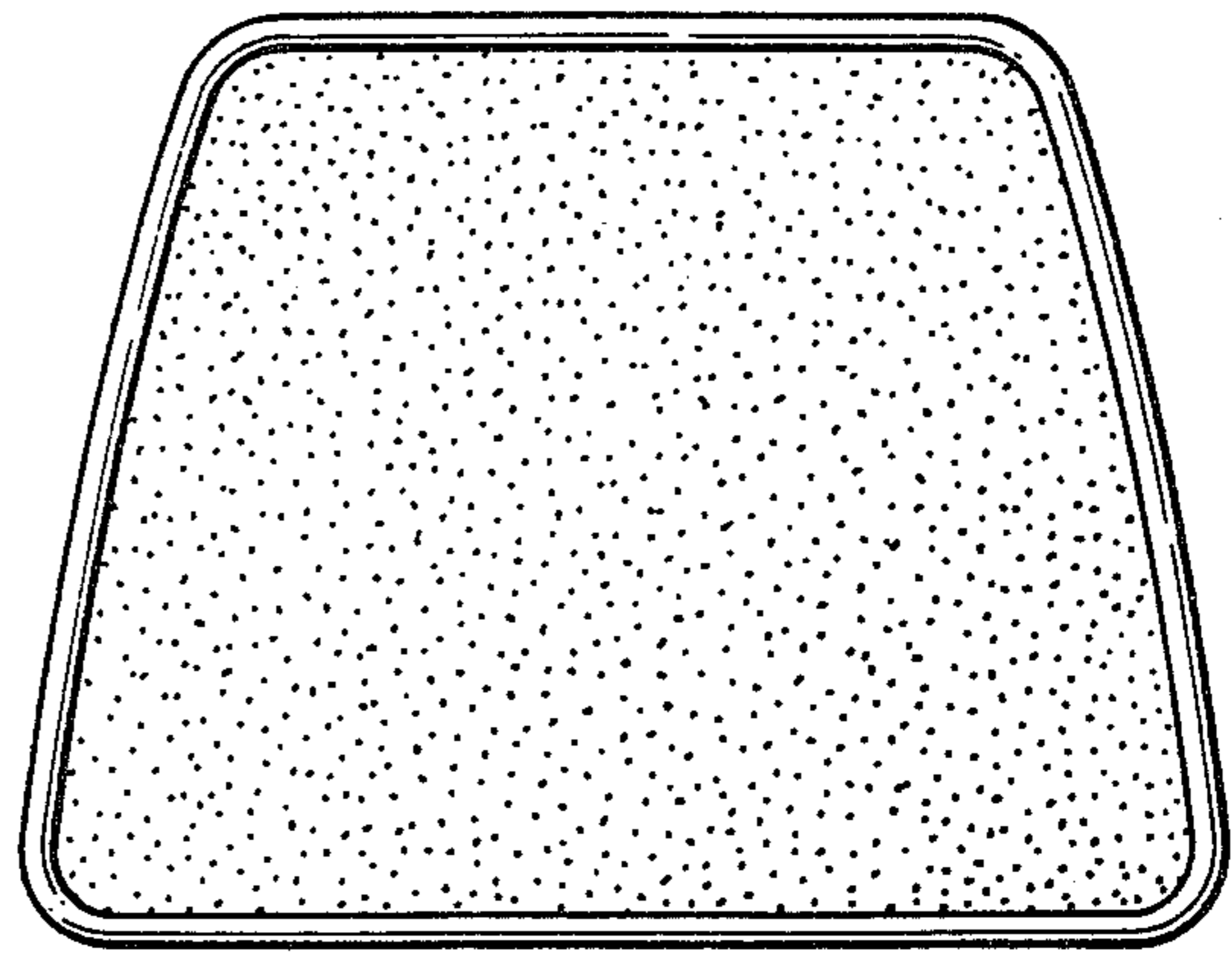


FIG. 2

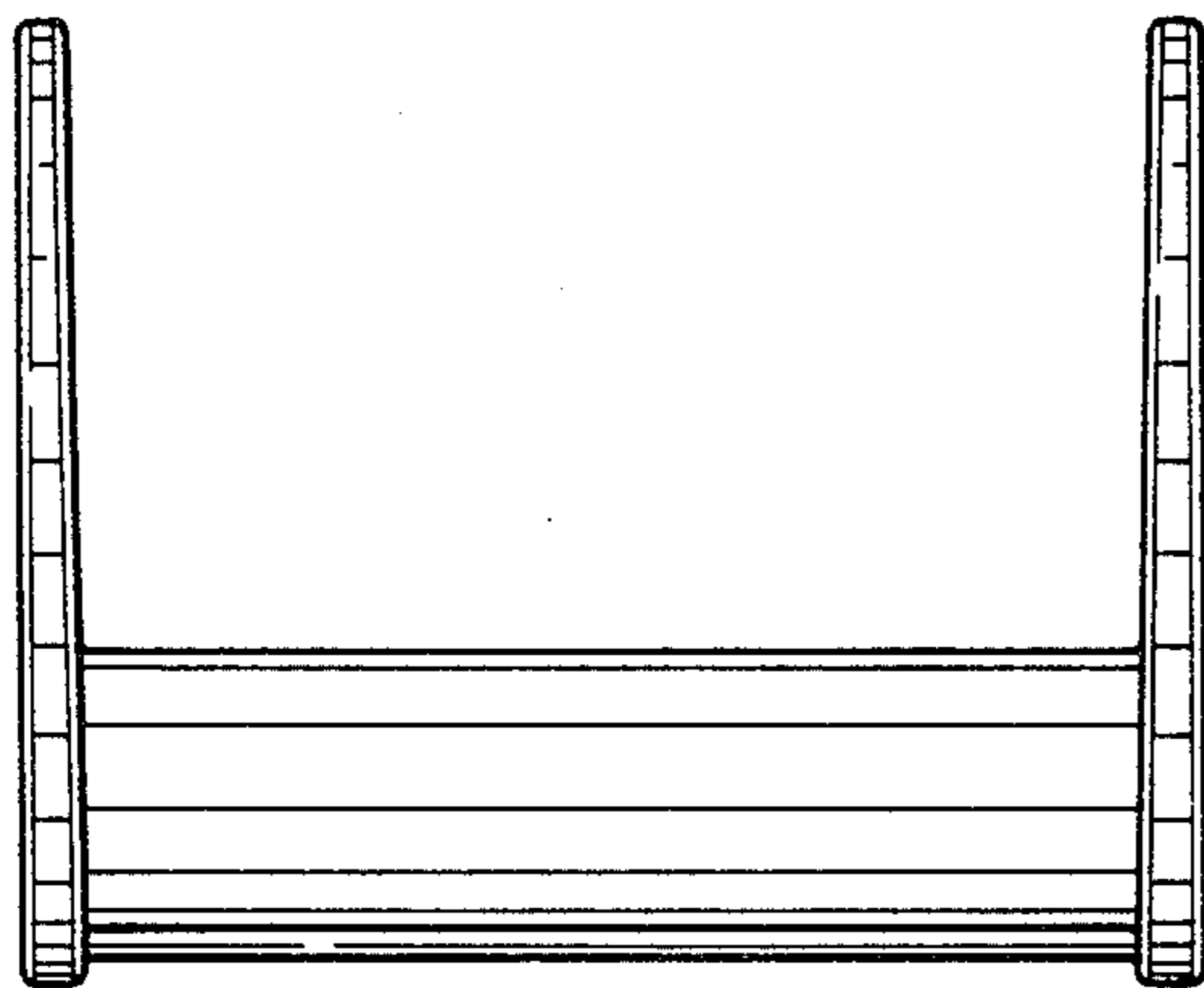


FIG. 3

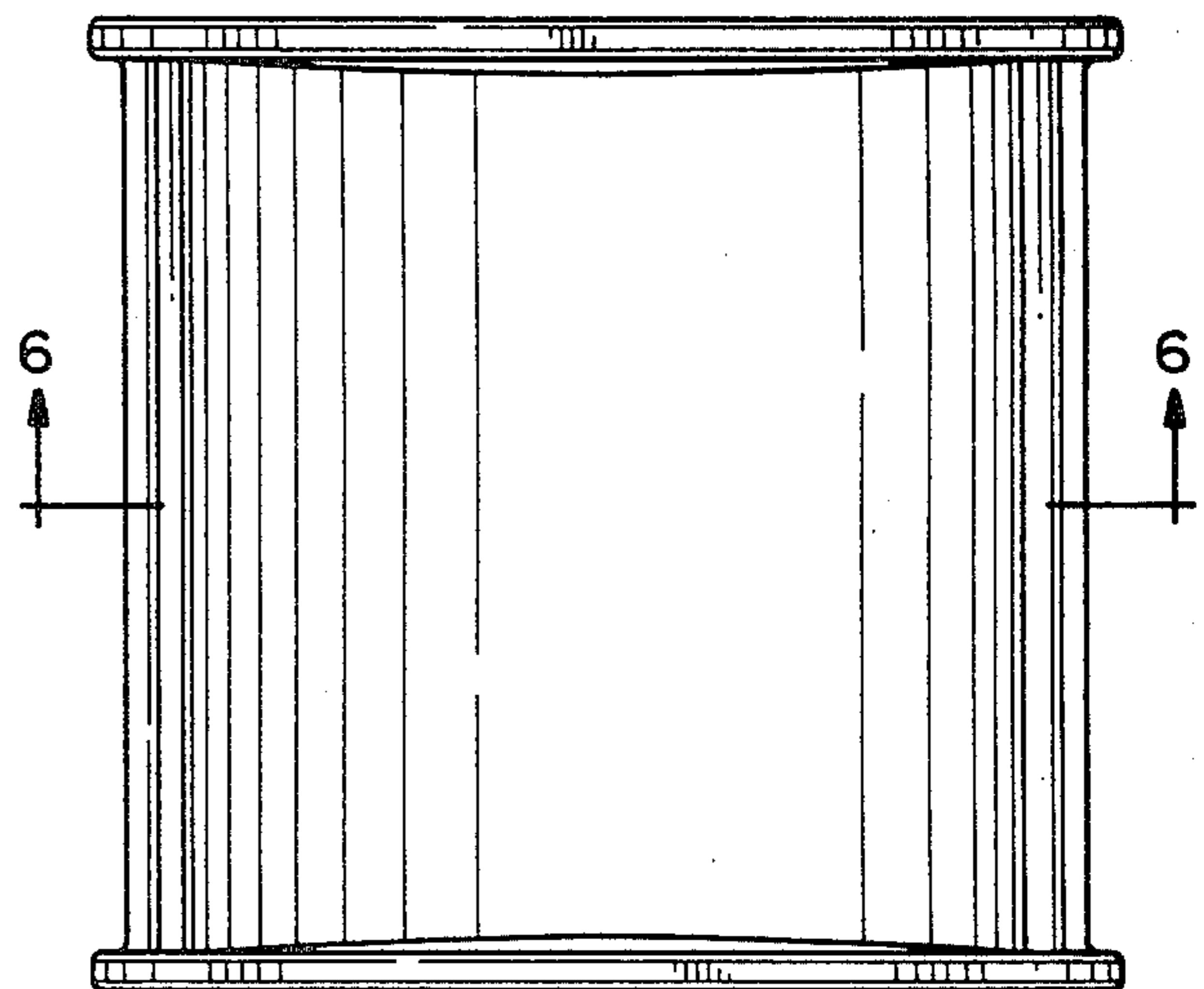


FIG. 4

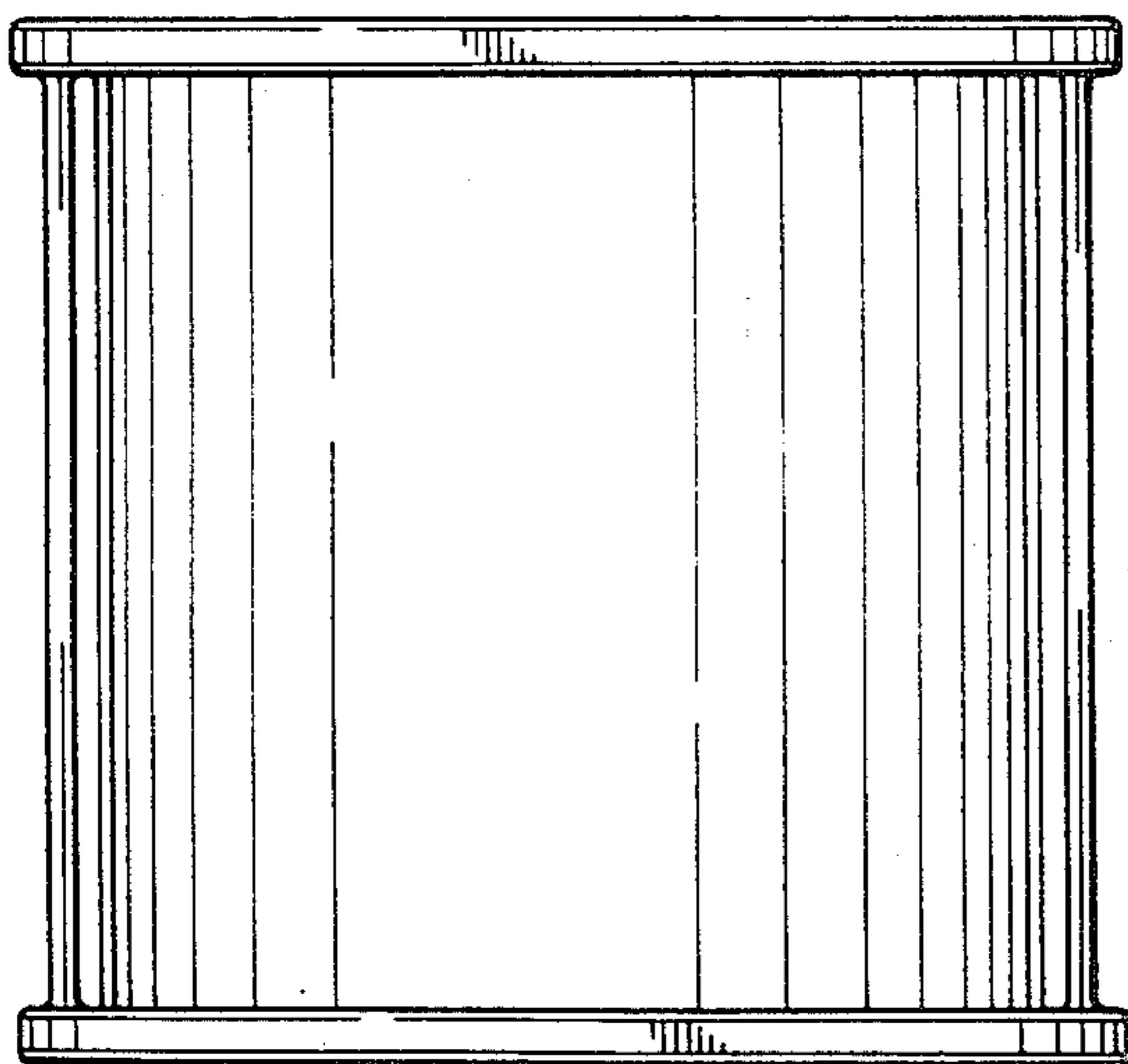


FIG. 5

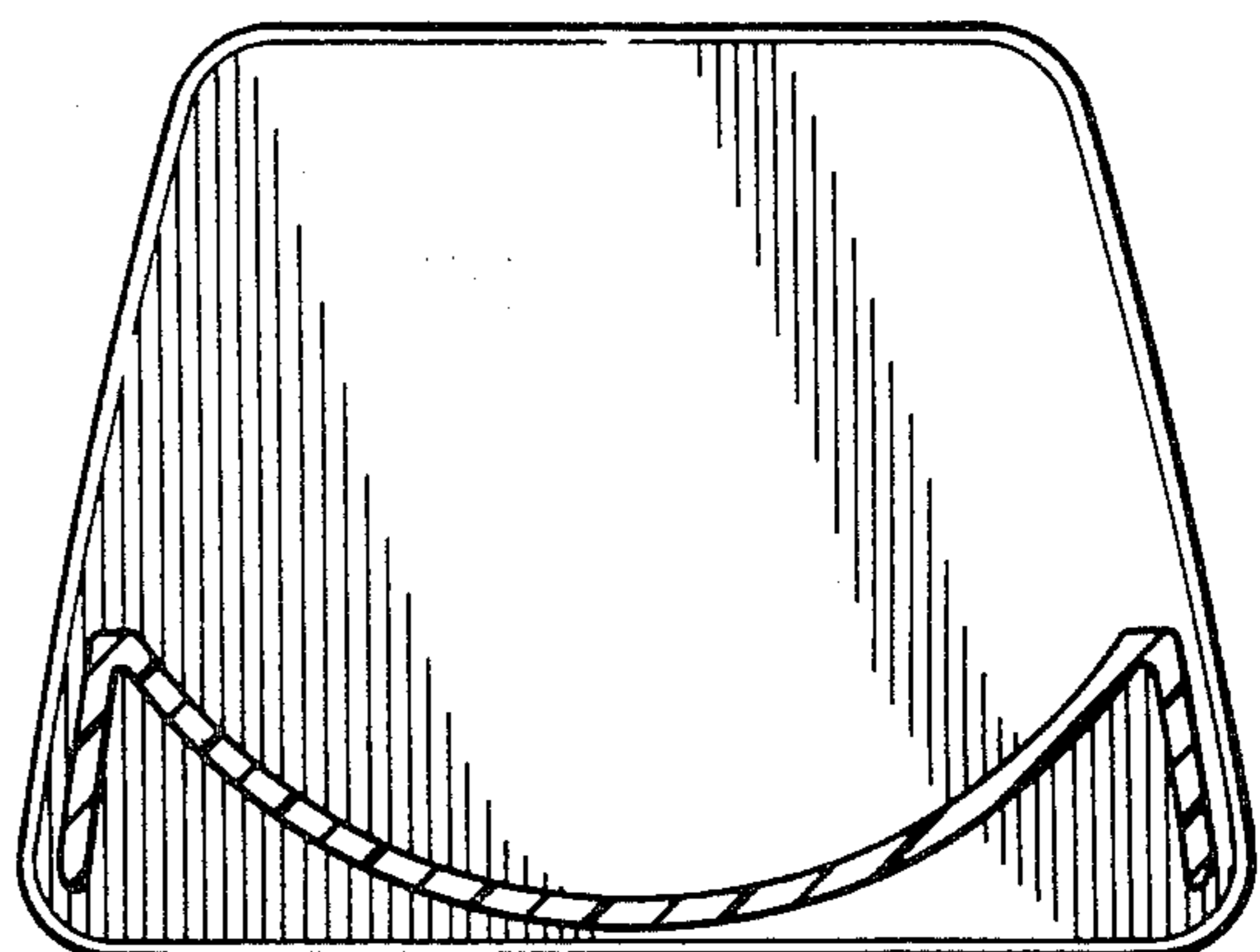


FIG. 6