

[54] **COMPUTER PRINTER STAND**

[75] **Inventor: David C. Petrick, Park Ridge, Ill.**

[73] **Assignee: Bretford Manufacturing, Inc., Schiller Park, Ill.**

[\*\*] **Term: 14 Years**

[21] **Appl. No.: 414,778**

[22] **Filed: Sep. 3, 1982**

[52] **U.S. Cl. .... D6/495; D14/114**

[58] **Field of Search ..... D6/161, 177, 191, 196**

[56] **References Cited**

**U.S. PATENT DOCUMENTS**

D. 252,388 7/1979 Fjell-Jensen ..... D6/191 X

**OTHER PUBLICATIONS**

Tiffany Stand & Furn. Co. Catalog ©1981, p. 8, Printer Station No. 2130ps.

*Primary Examiner*—Bruce W. Dunkins  
*Attorney, Agent, or Firm*—Wood, Dalton, Phillips, Mason & Rowe

[57] **CLAIM**

The ornamental design for a computer printer stand, substantially as shown and described.

**DESCRIPTION**

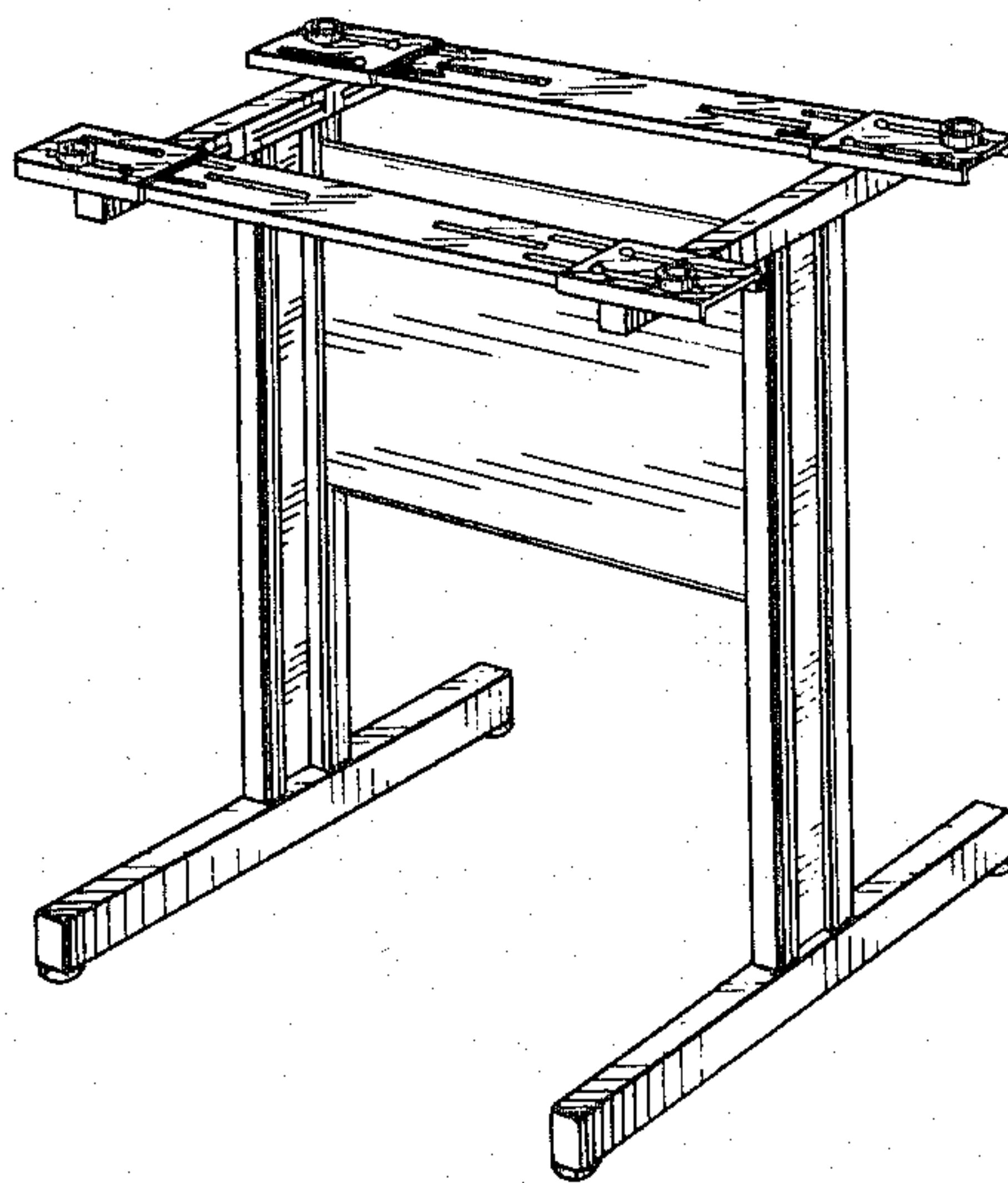
FIG. 1 is a perspective view of the computer printer stand showing my new design;

FIG. 2 is a top plan view of the stand in FIG. 1;

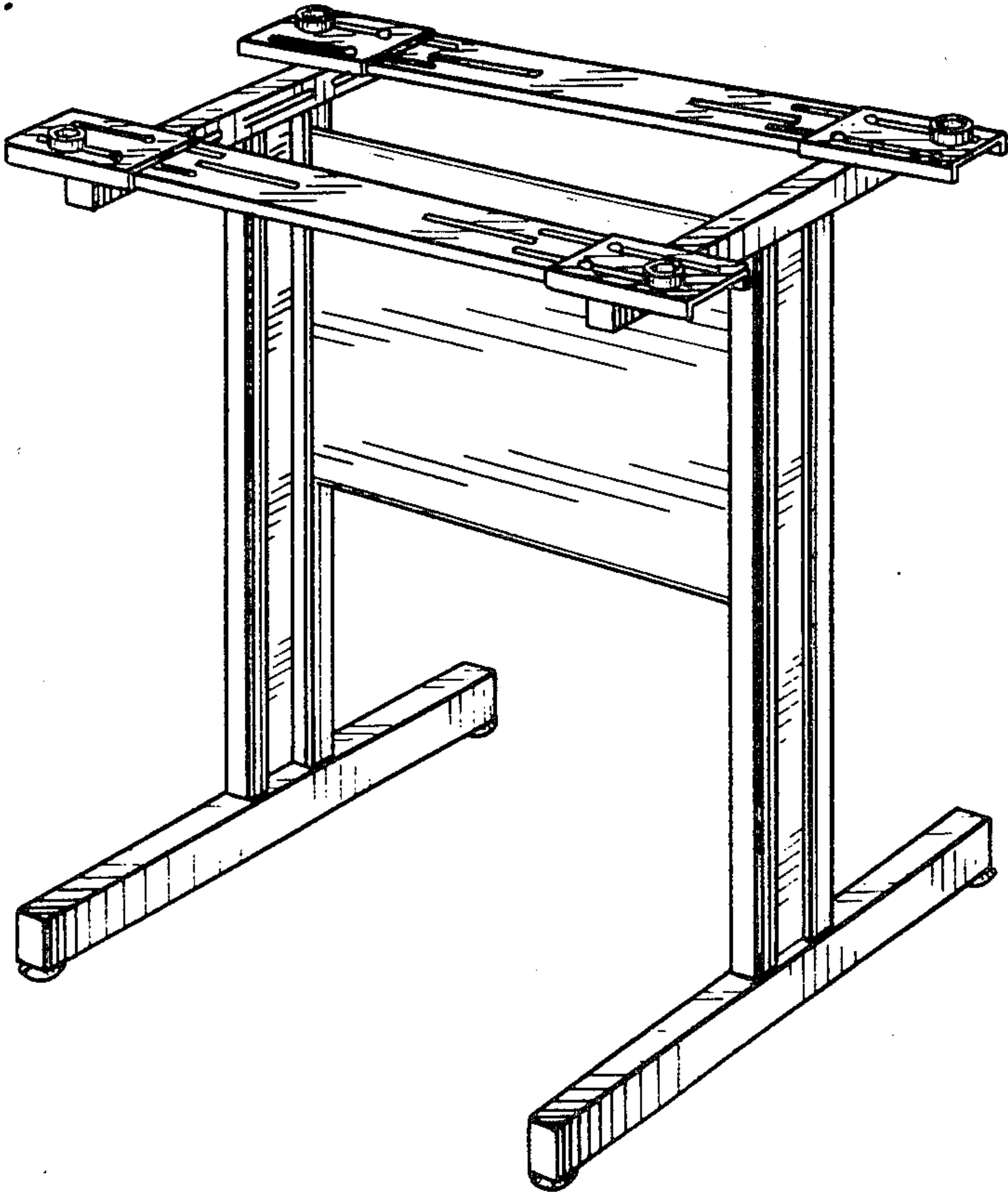
FIG. 3 is a side elevational view showing the side opposite to the side that is shown in FIG. 1; and

FIG. 4 is a rear elevational view of the stand shown in FIG. 1.

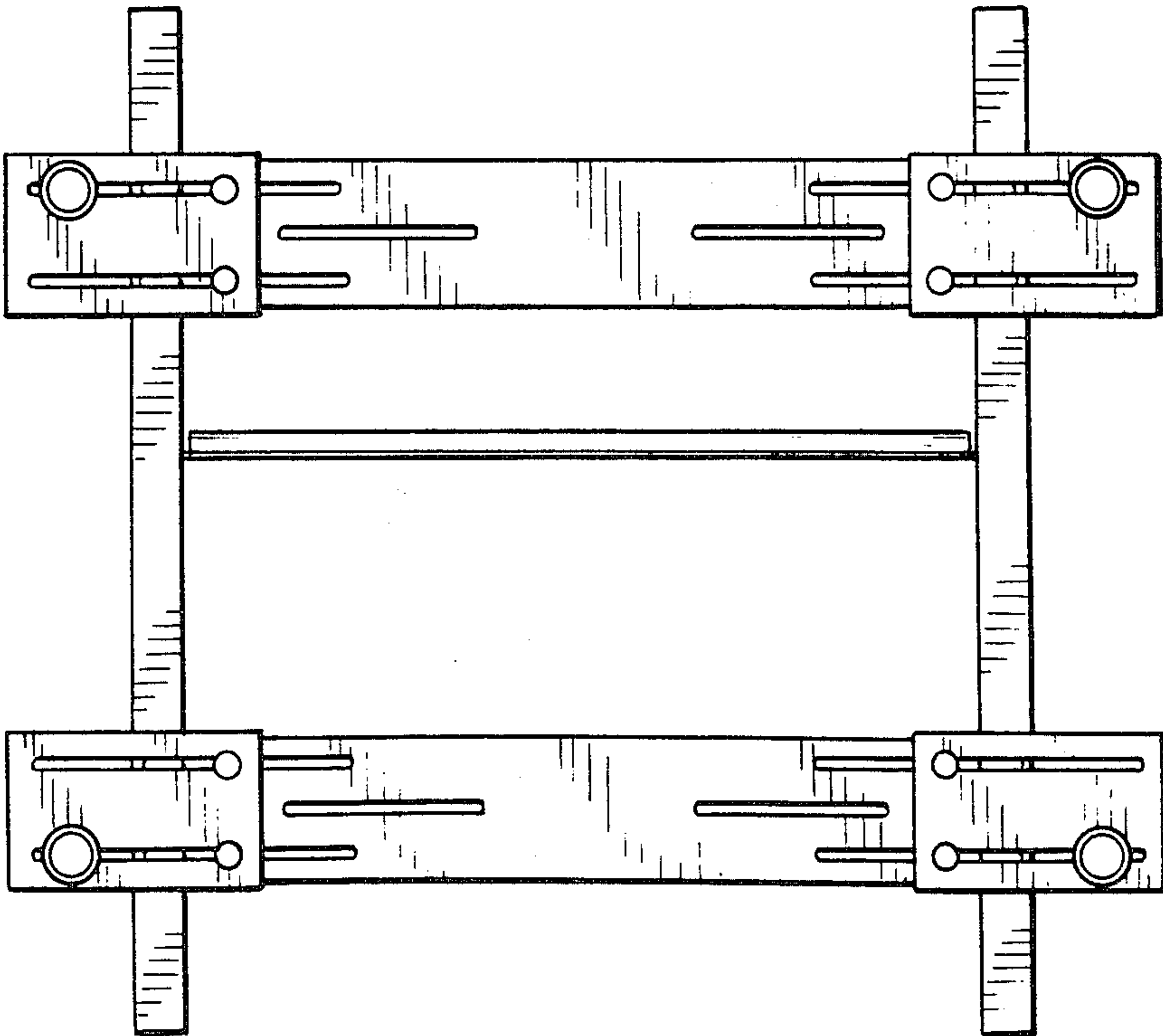
The stand is characterized by the rectilinear design effect imparted by the spaced rectilinear members, one being positioned on each end and extending outwardly from the slotted transverse members which are disposed atop upper rails of the legs at substantially right angles thereto, all as best illustrated in FIGS. 1 and 2.



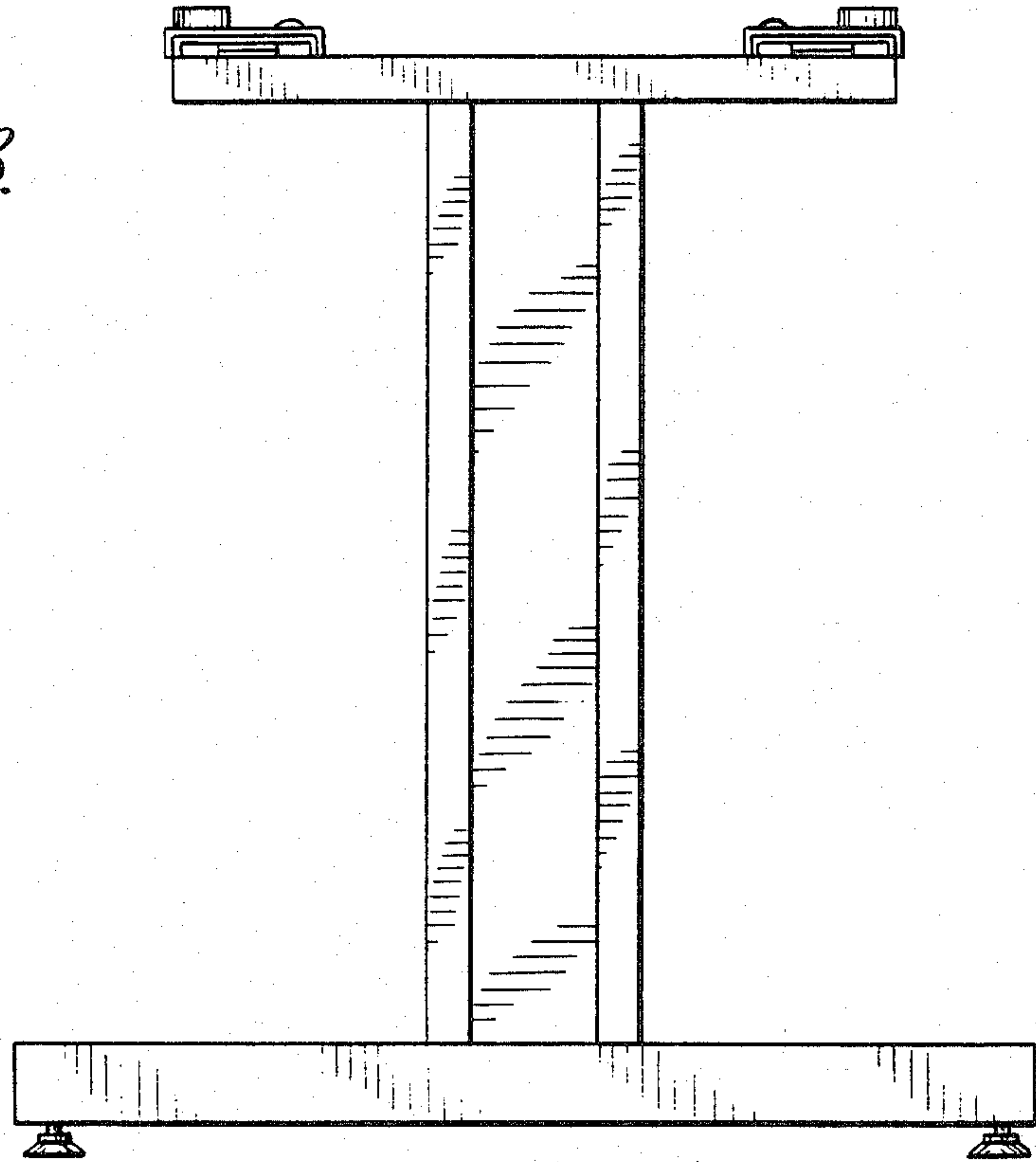
*Fig. 1.*



*Fig. 2.*



*Fig. 3.*



*Fig. 4.*

