

[54] WALL MOUNTED HOLDER FOR REMOVABLE BINS

[75] Inventors: Edward D. Levy, Franklin Lakes; Michael P. Ballone, New Providence, both of N.J.

[73] Assignee: Gee Associates, Fort Lee, N.J.

[\*\*] Term: 14 Years

[21] Appl. No.: 426,300

[22] Filed: Sep. 29, 1982

[52] U.S. Cl. .... D6/571

[58] Field of Search ..... D6/85, 157, 114, 130, D6/132, 134, 137, 184, 188; D7/71, 81; 211/71, 74, 75; 248/311.2

[56] References Cited U.S. PATENT DOCUMENTS

D. 224,773 9/1972 Langworthy ..... D6/130

D. 243,298 2/1977 Taubman ..... D6/134 X  
1,634,953 7/1927 McCune et al. .... 211/71 X  
2,103,241 12/1937 Bell ..... 211/71 X  
4,378,889 4/1983 Lebowitz ..... D6/130 X

Primary Examiner—Carmen H. Vales  
Attorney, Agent, or Firm—Lilling & Greenspan

[57] CLAIM

The ornamental design for a wall mounted holder for removable bins, as shown and described.

DESCRIPTION

FIG. 1 is a top plan view of a wall mounted holder for removable bins showing our new design; FIG. 2 is a front elevational view thereof; FIG. 3 is a side elevational view thereof, the opposite side being a mirror image thereof; FIG. 4 is a rear elevational view thereof; FIG. 5 is a bottom plan view thereof; and FIG. 6 is a cross-sectional view taken along line 6—6 of FIG. 1.

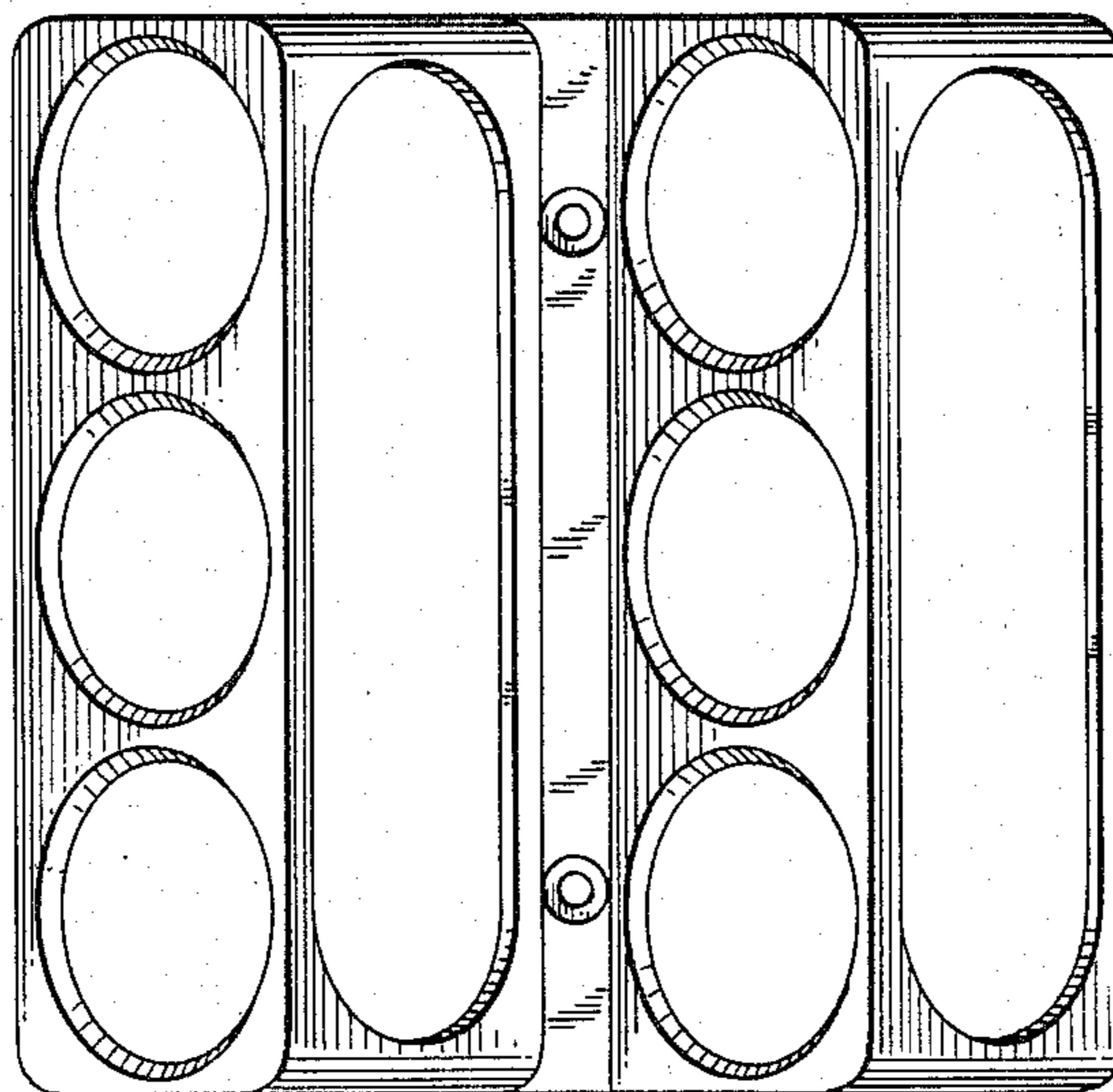
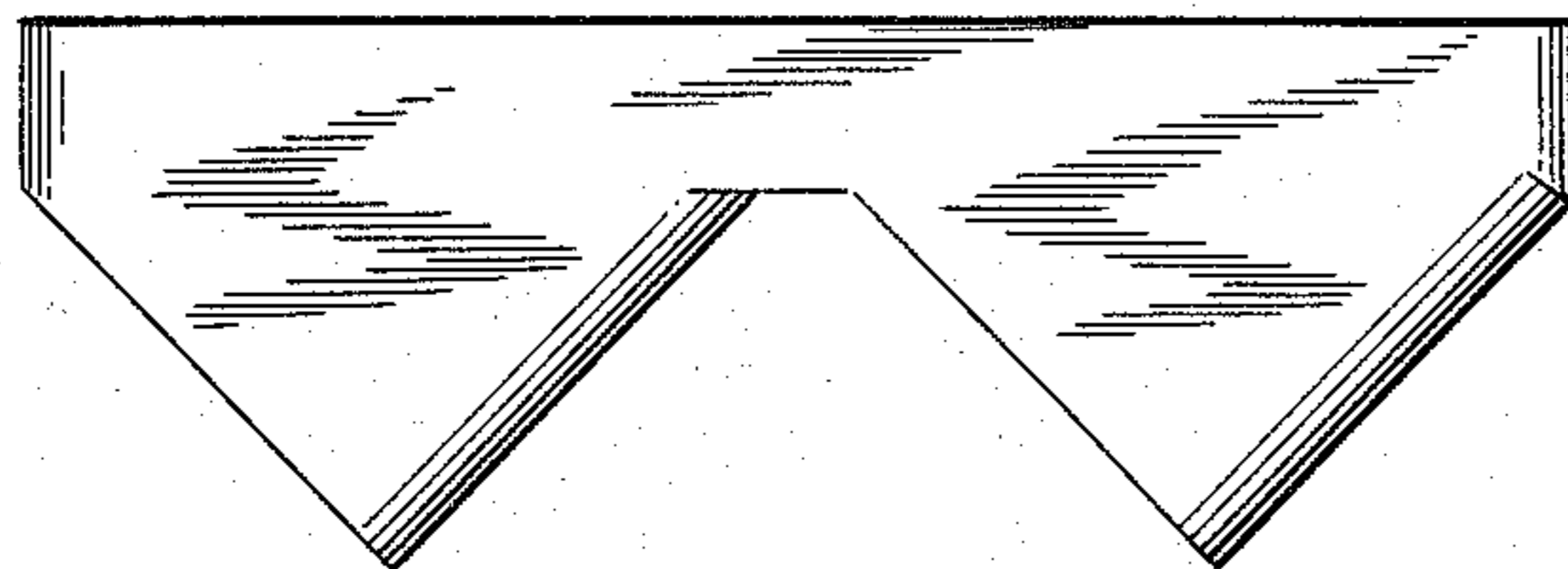


FIG. 1

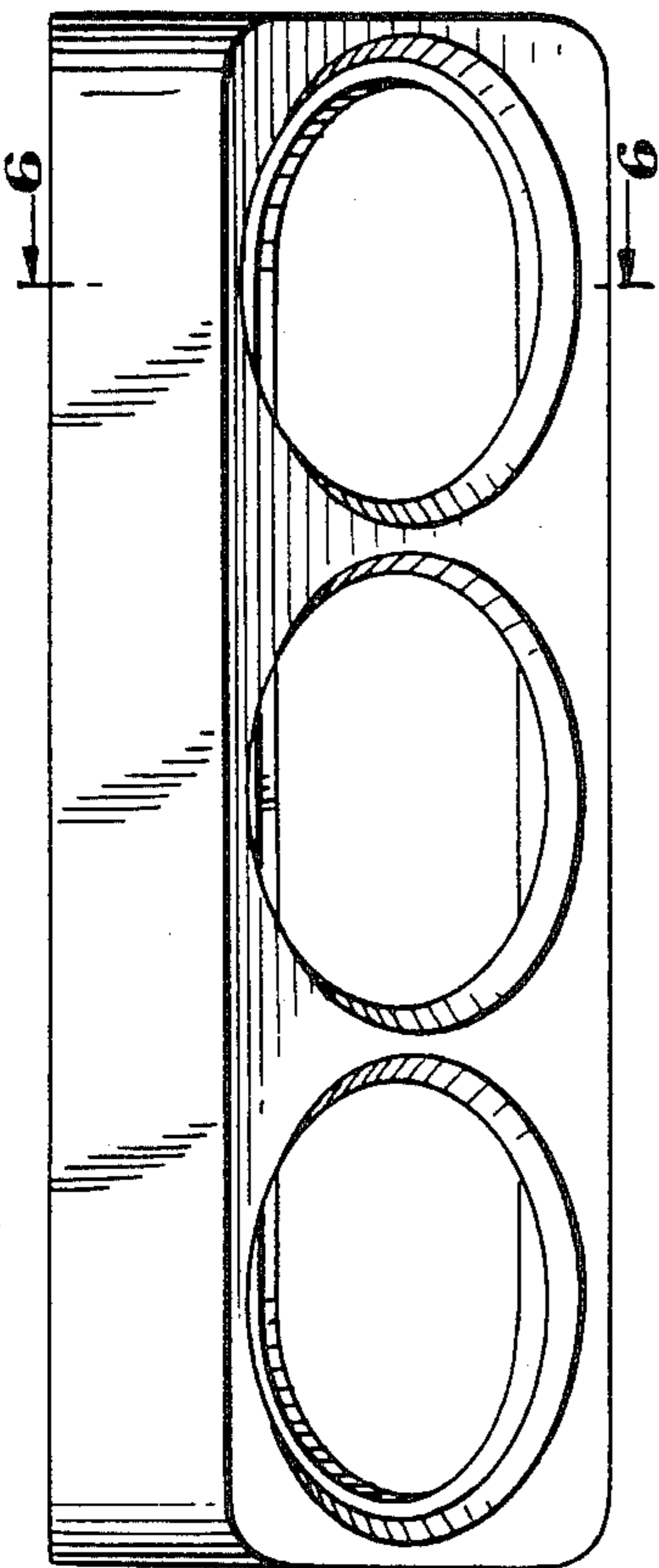


FIG. 2

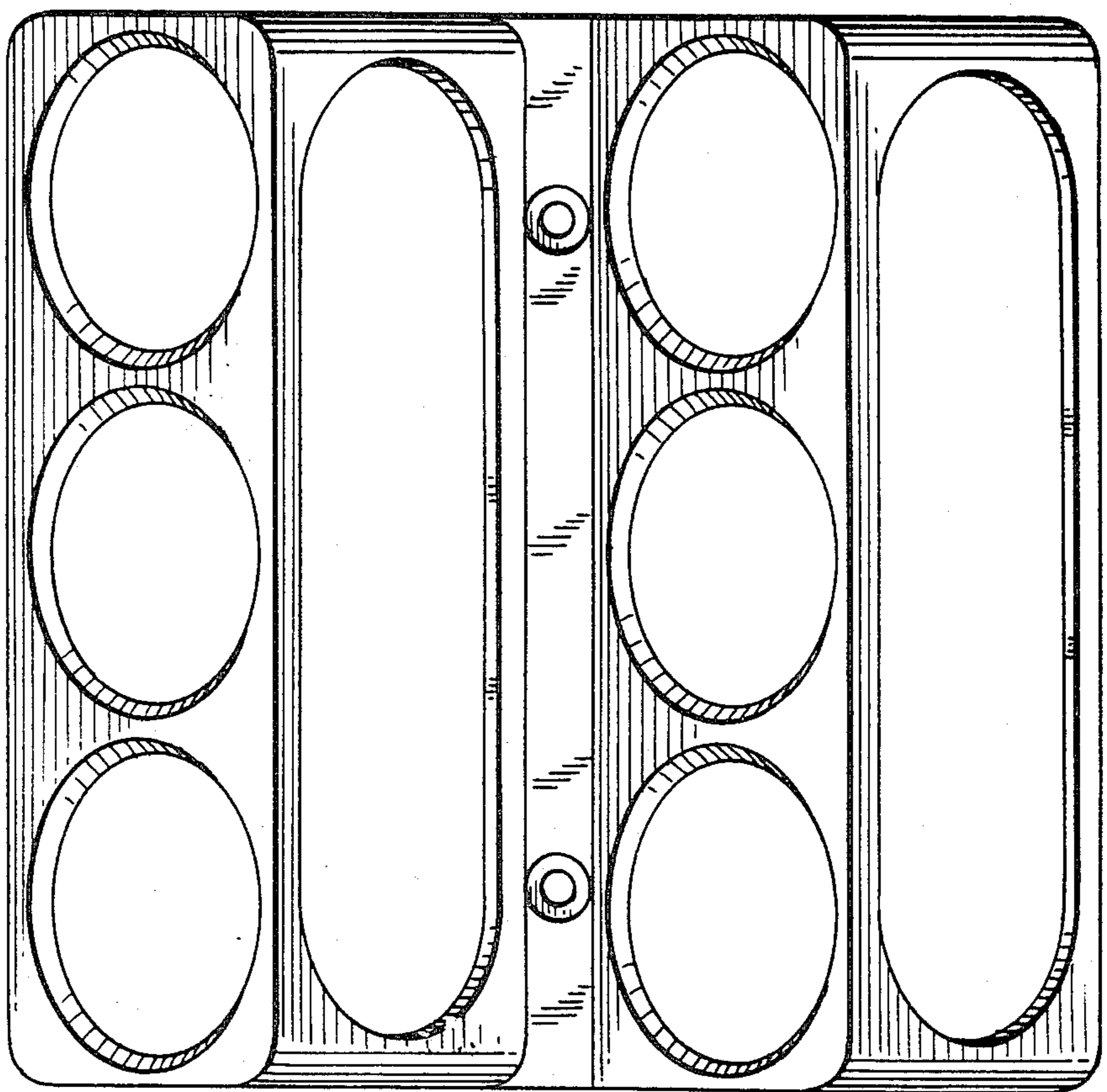
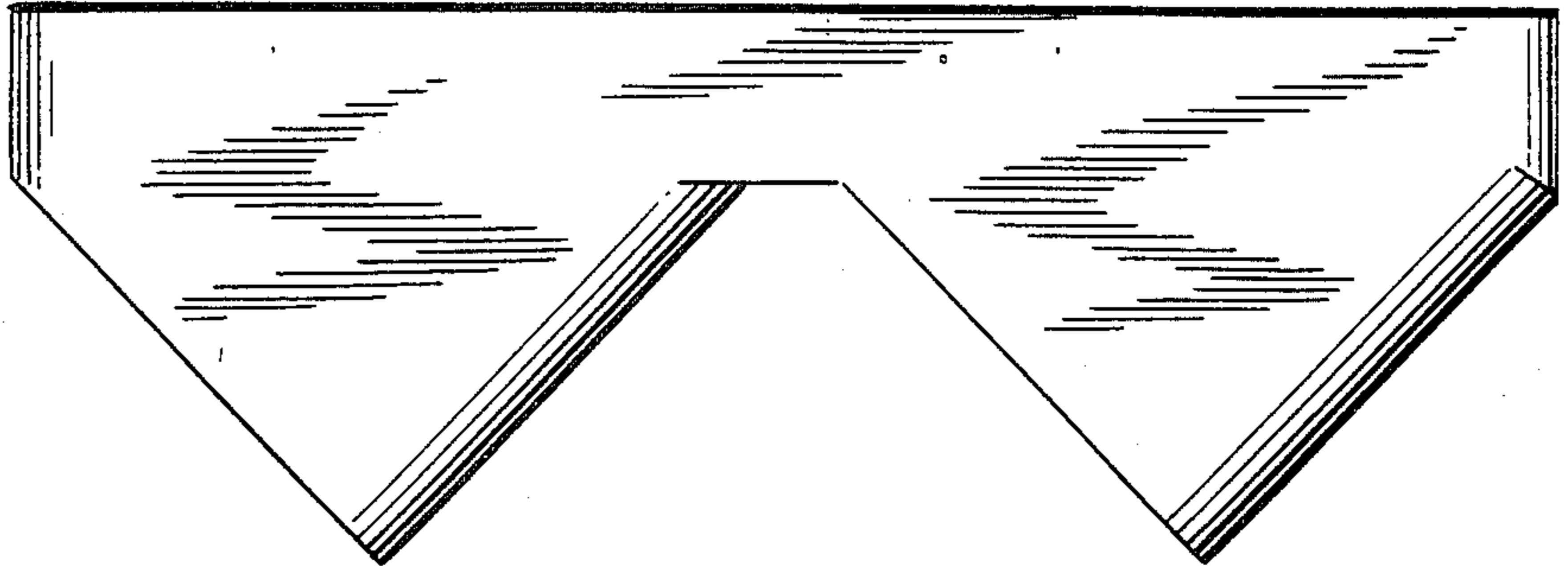


FIG. 3



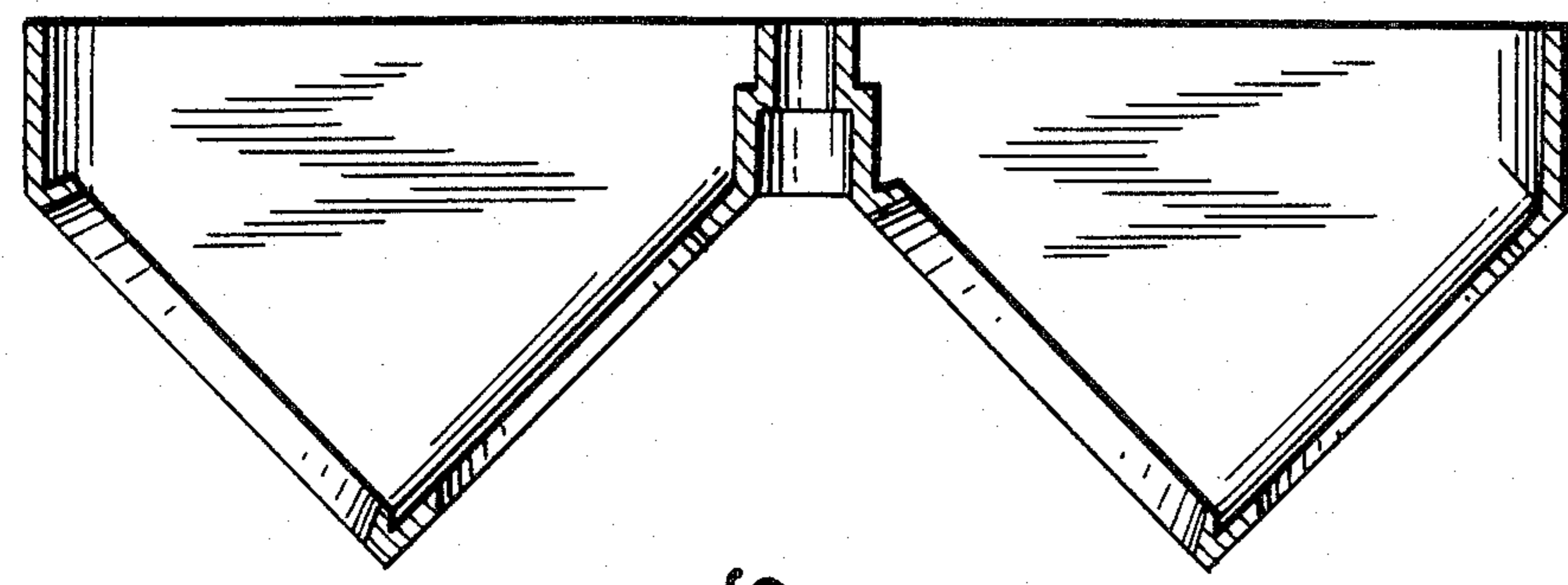


FIG. 6

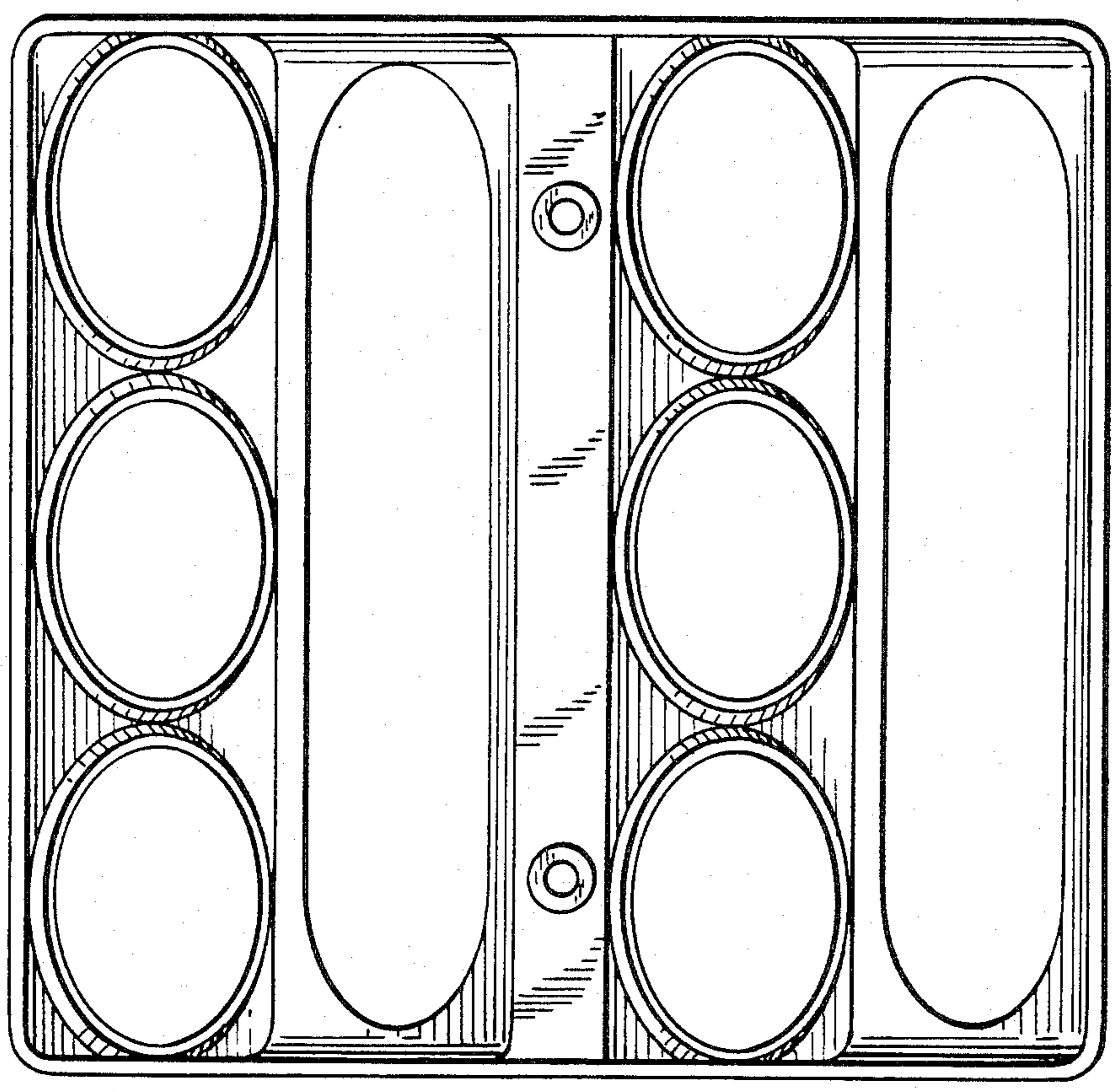


FIG. 4

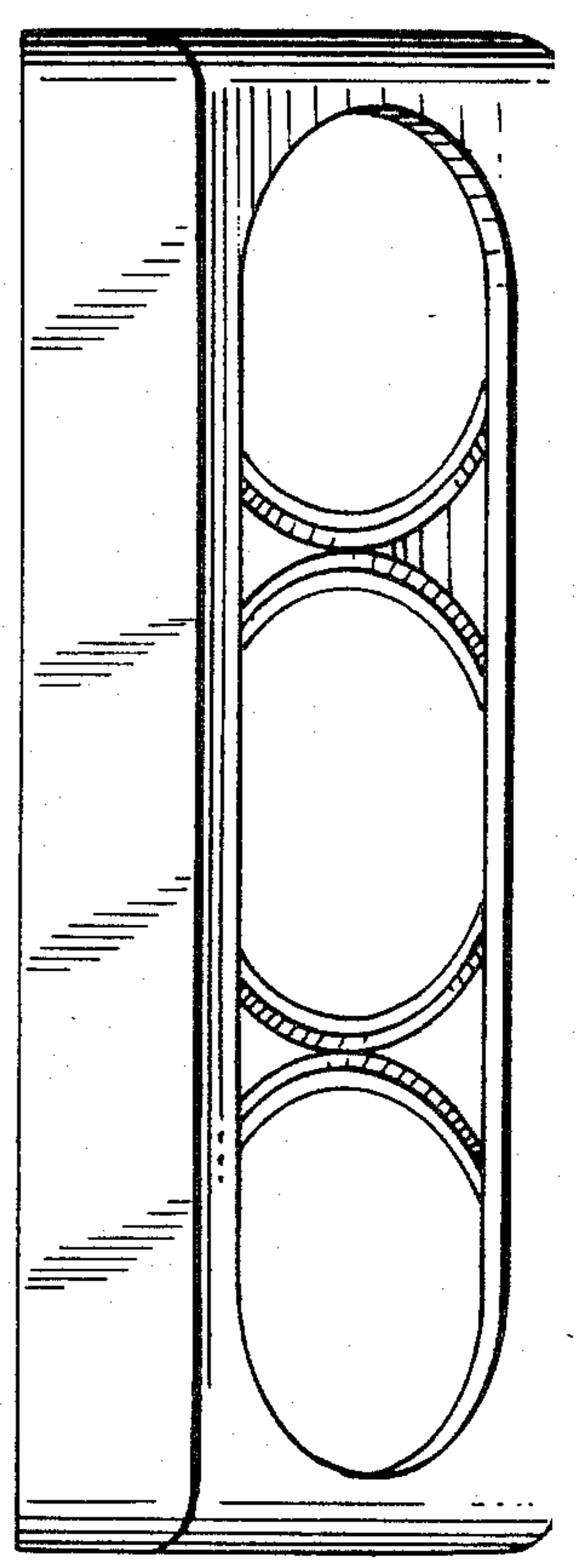


FIG. 5