

United States Patent [19]

Dutton et al.

[11] Patent Number: **Des. 277,712**

[45] Date of Patent: **** Feb. 26, 1985**

[54] CHAIR

[76] Inventors: **Derek W. Dutton**, 50 Catalpa Dr., Atherton, Calif. 94025; **Katherine W. De Foyd**, 108 Bush St., Ashland, Oreg. 97520

[**] Term: **14 Years**

[21] Appl. No.: **455,063**

[22] Filed: **Jan. 3, 1983**

[52] U.S. Cl. **D6/334**

[58] Field of Search **D6/47-78**

[56] **References Cited**

U.S. PATENT DOCUMENTS

D. 223,756 6/1972 Steinhart D6/334

D. 233,285 10/1974 Gill et al. D6/334
D. 243,296 2/1977 Gottsegen D6/334
D. 244,569 6/1977 Laroye D6/334

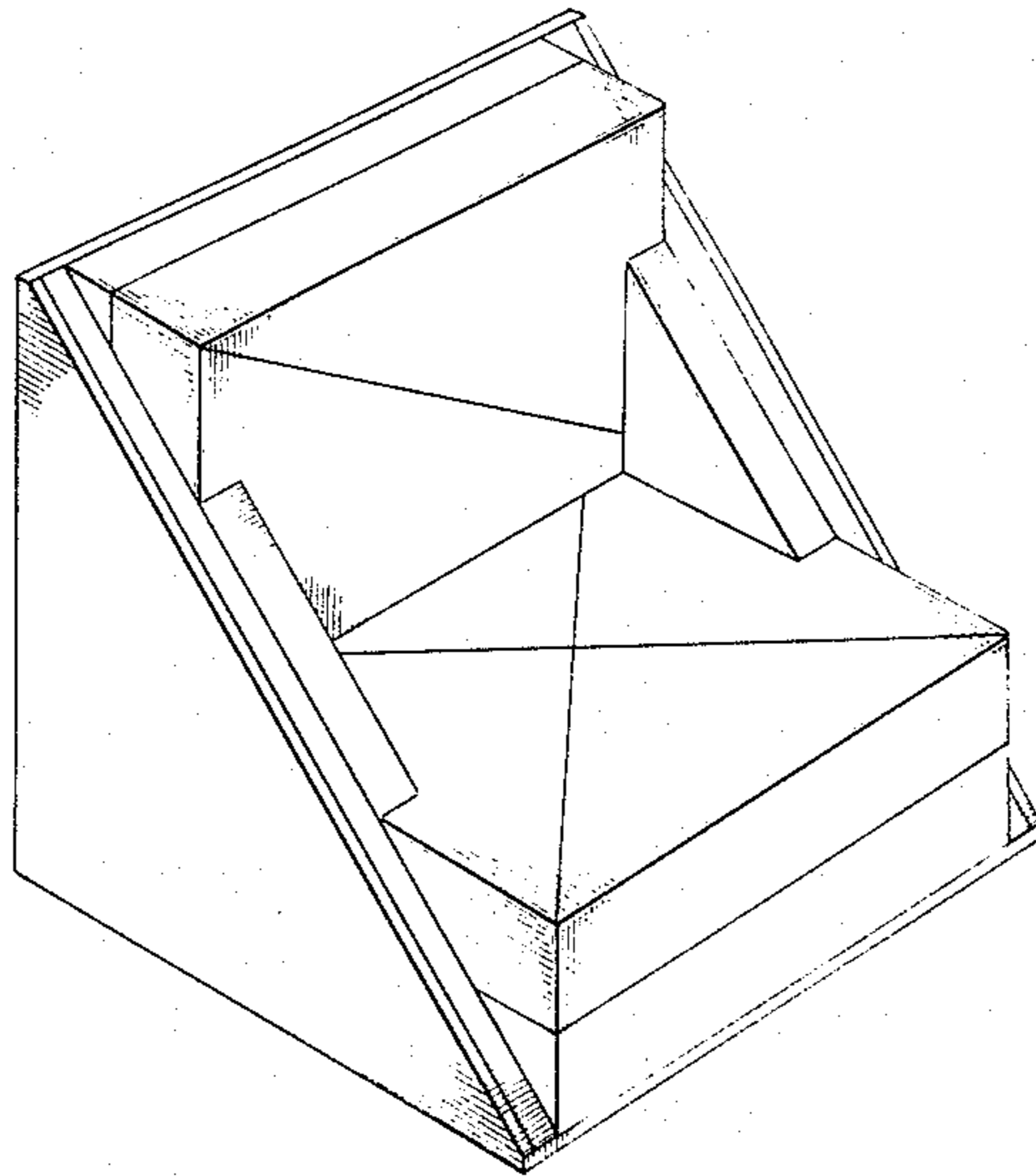
Primary Examiner—Bruce W. Dunkins
Attorney, Agent, or Firm—Blakely, Sokoloff, Taylor & Zafman

[57] **CLAIM**

The ornamental design for a chair, substantially as shown.

DESCRIPTION

FIG. 1 is a perspective view of a chair showing our design;
FIG. 2 is a top view thereof;
FIG. 3 is a front elevation view thereof;
FIG. 4 is a right side view thereof; and,
FIG. 5 is a rear elevation view thereof.



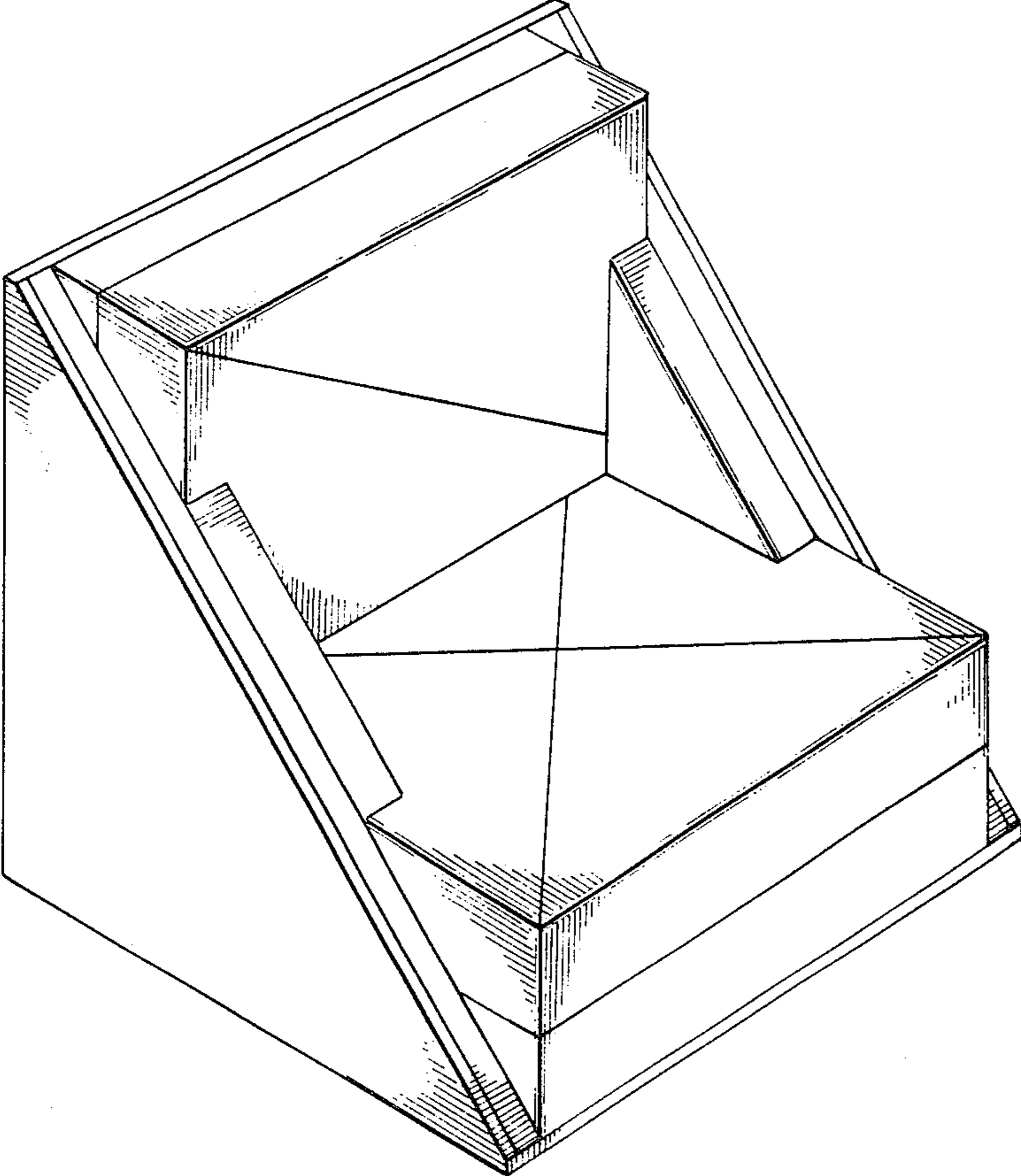


Fig. 1

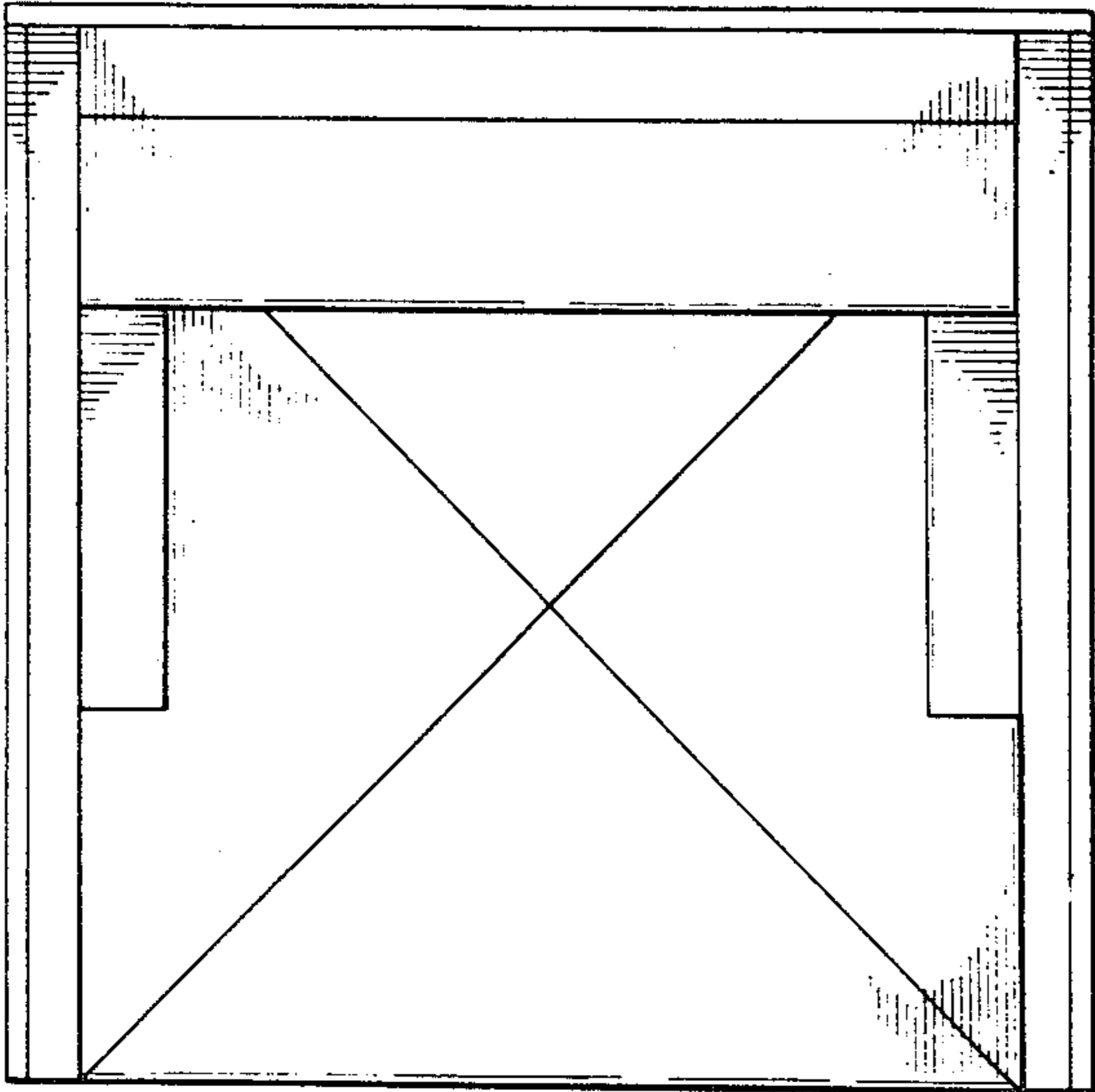


Fig. 2

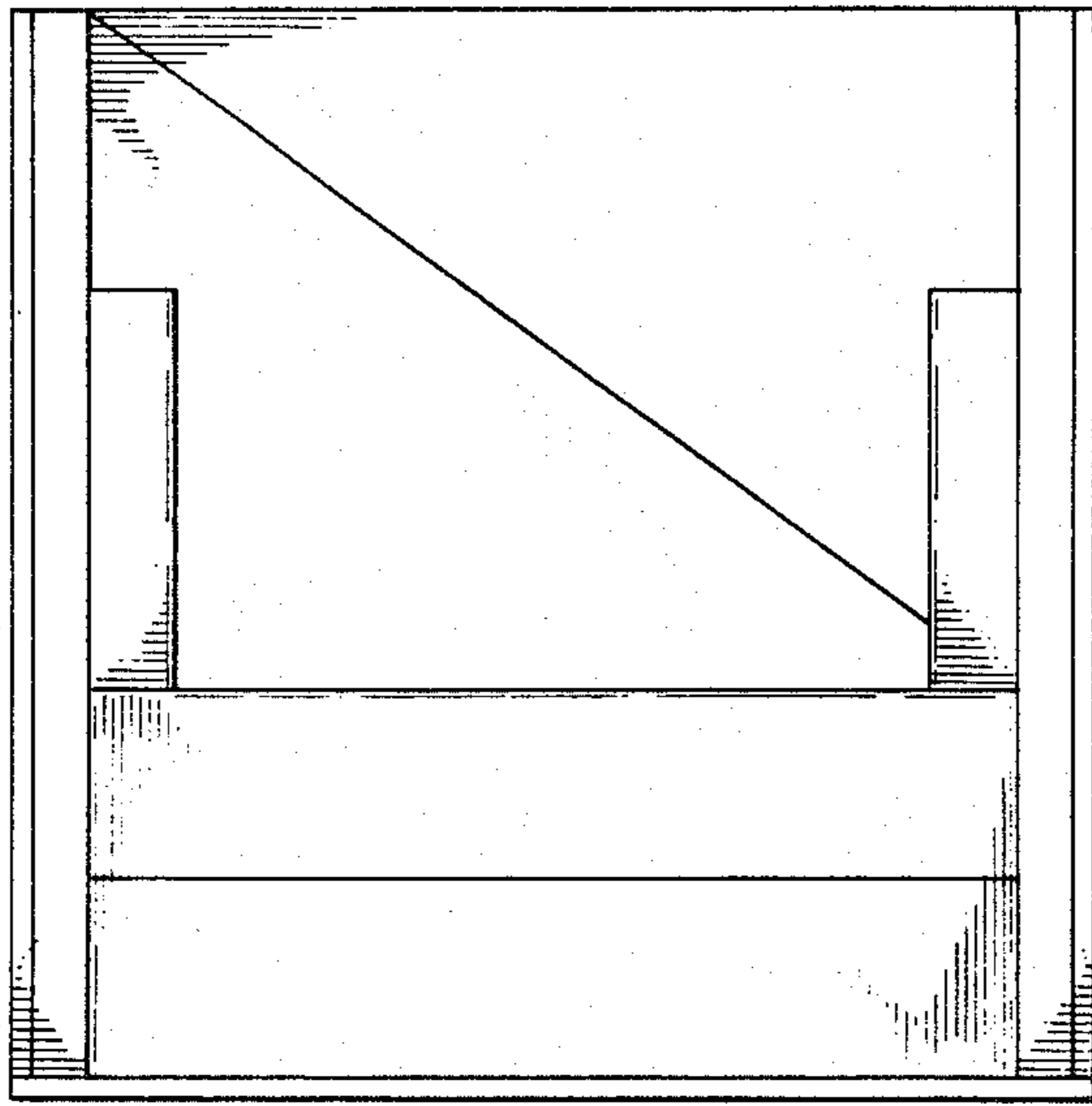


Fig. 3

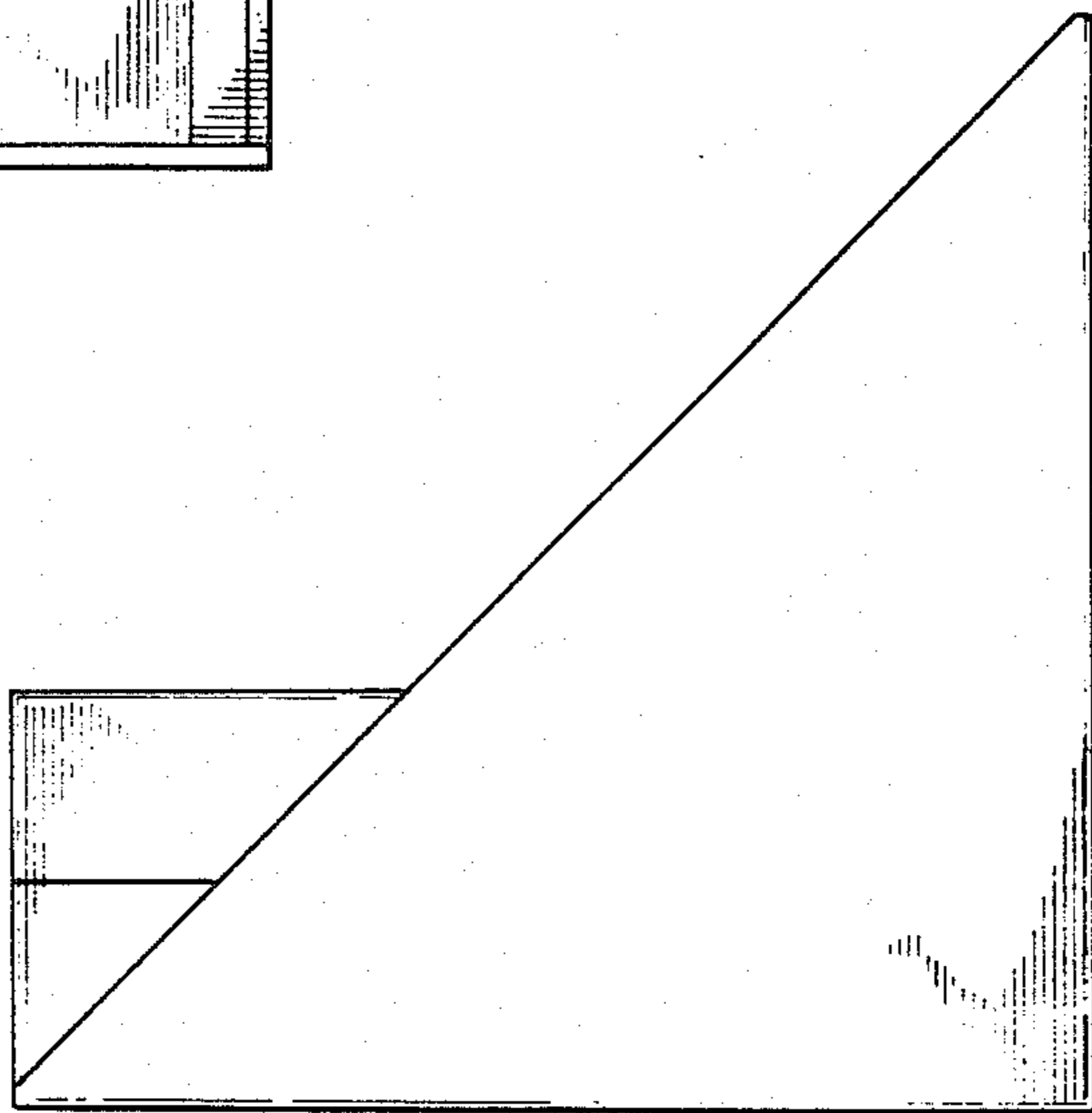


Fig. 4

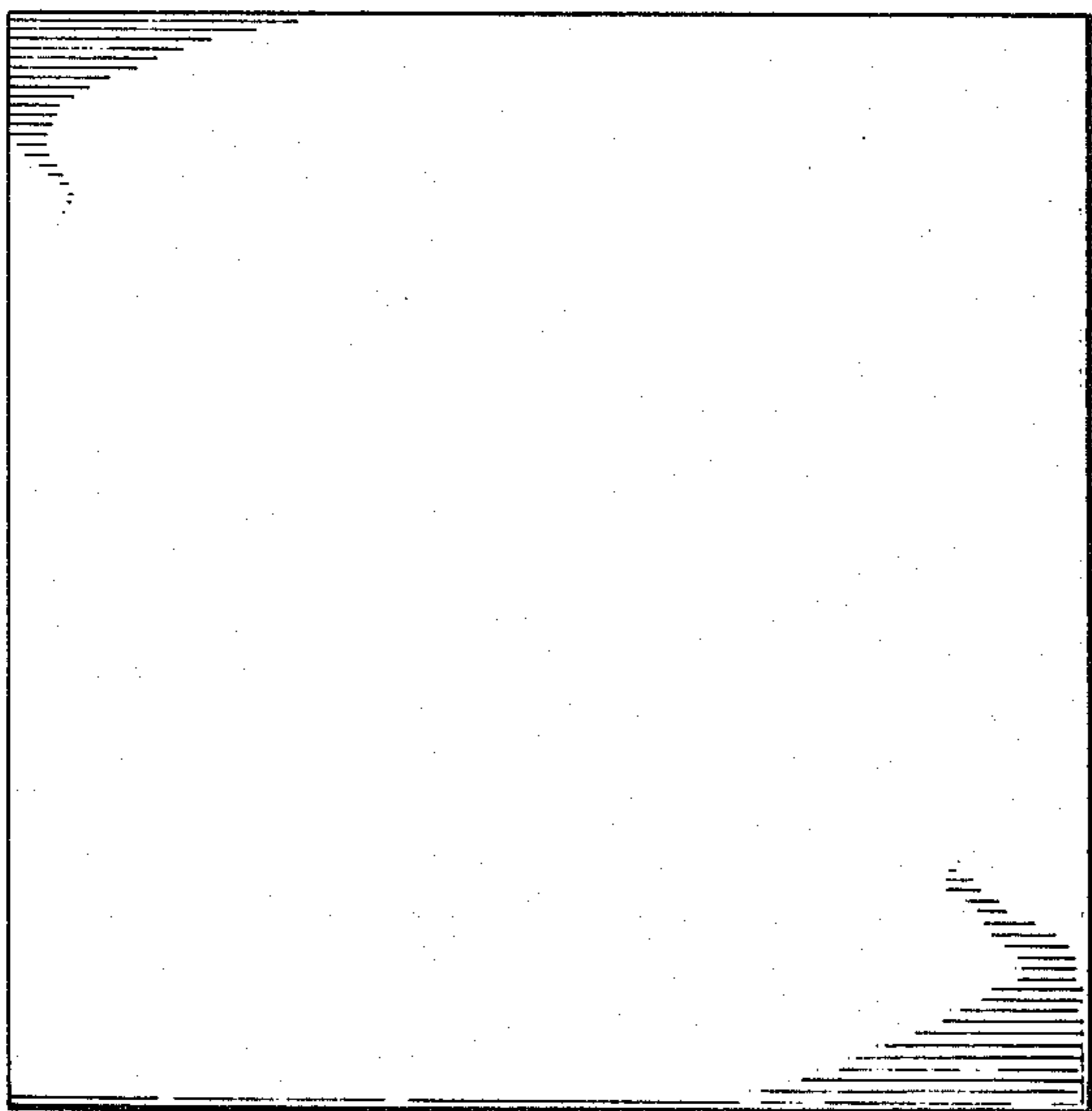


Fig. 5