

[54] DISPLAY STAND FOR CONFECTIONERY PRODUCTS

[75] Inventor: Lorenzo Cillario, Alba, Italy

[73] Assignee: Ferrero S.p.A., Alba, Italy

[\*\*] Term: 14 Years

[21] Appl. No.: 395,868

[22] Filed: Jul. 7, 1982

[30] Foreign Application Priority Data

Feb. 1, 1982 [IT] Italy ..... 52860/82[U]

[52] U.S. Cl. .... D6/464

[58] Field of Search ..... D6/23, 24, 25, 85; 108/59; 211/49 S; 248/158

[56] References Cited

U.S. PATENT DOCUMENTS

- D. 202,848 11/1965 Kurtz ..... D6/23
- D. 207,934 6/1967 Kovacik et al. .... D6/24

- D. 229,648 12/1973 Howard et al. .... D6/24
- D. 248,067 6/1978 Leath ..... D6/24
- D. 258,186 2/1981 Glassenberg et al. .... D6/23 X
- 2,361,060 10/1944 Robinson et al. .... D6/24 X
- 2,972,415 2/1961 Rensch ..... D6/24 X

Primary Examiner—Bruce W. Dunkins  
Attorney, Agent, or Firm—Bernard, Rothwell & Brown

[57] CLAIM

The ornamental design for display stand for confectionery products, as shown and described.

DESCRIPTION

FIG. 1 is a perspective view of a display stand for confectionery products showing my new design; FIG. 2 is a front elevational view of the display stand which is identical to a rear elevational view; FIG. 3 is a side elevational view showing one of the two identical sides; FIG. 4 is a top plan view; and FIG. 5 is a bottom plan view thereof.

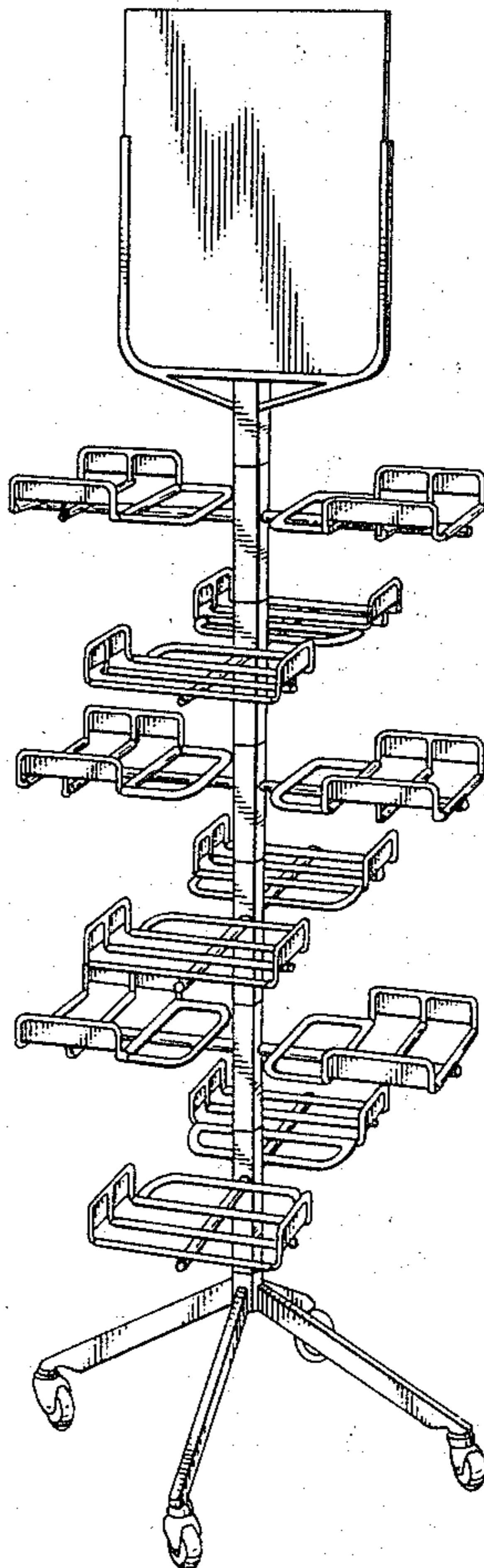


FIG. 1.

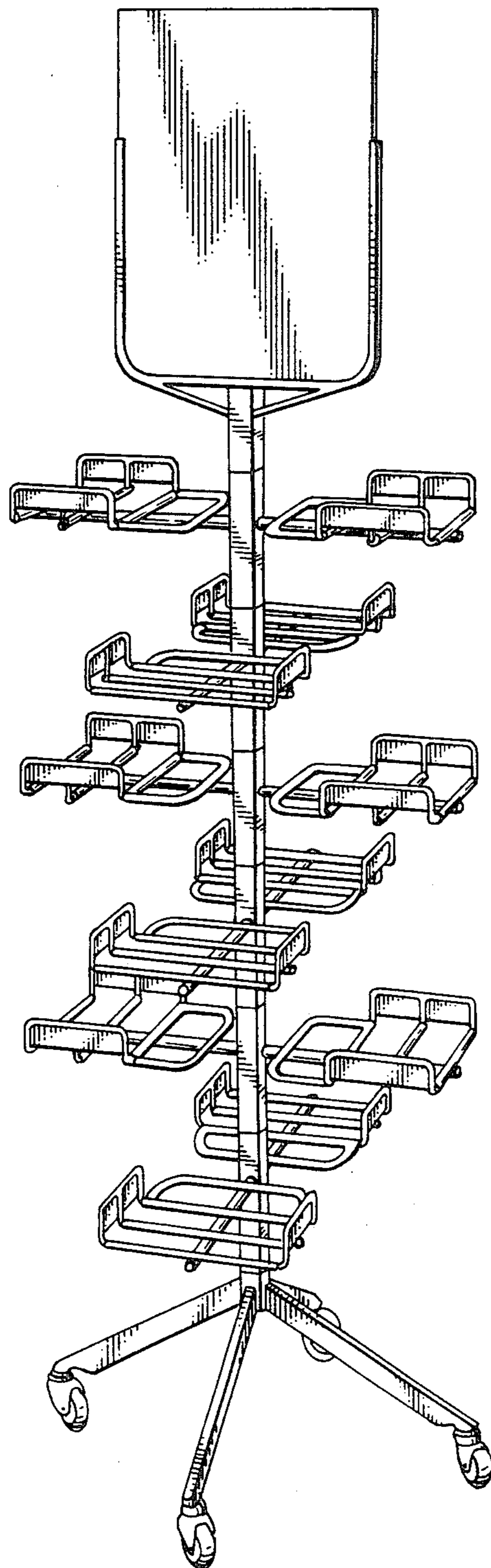


FIG. 2.

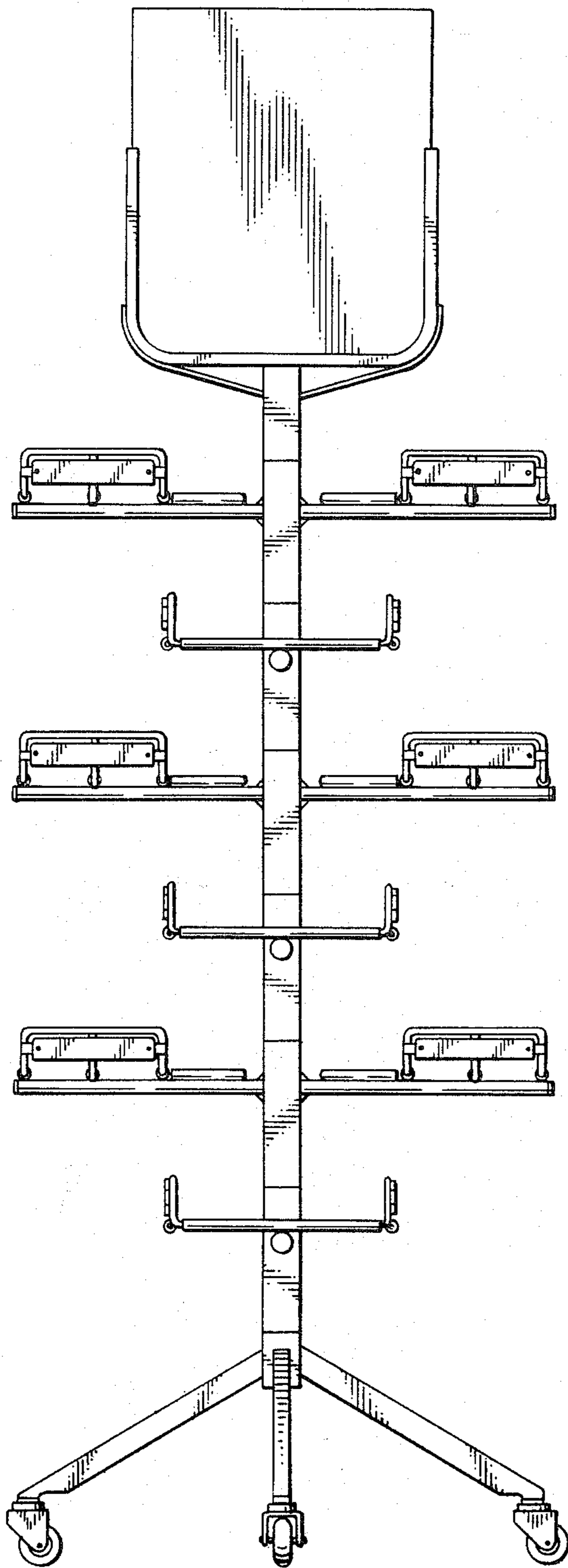


FIG. 3.

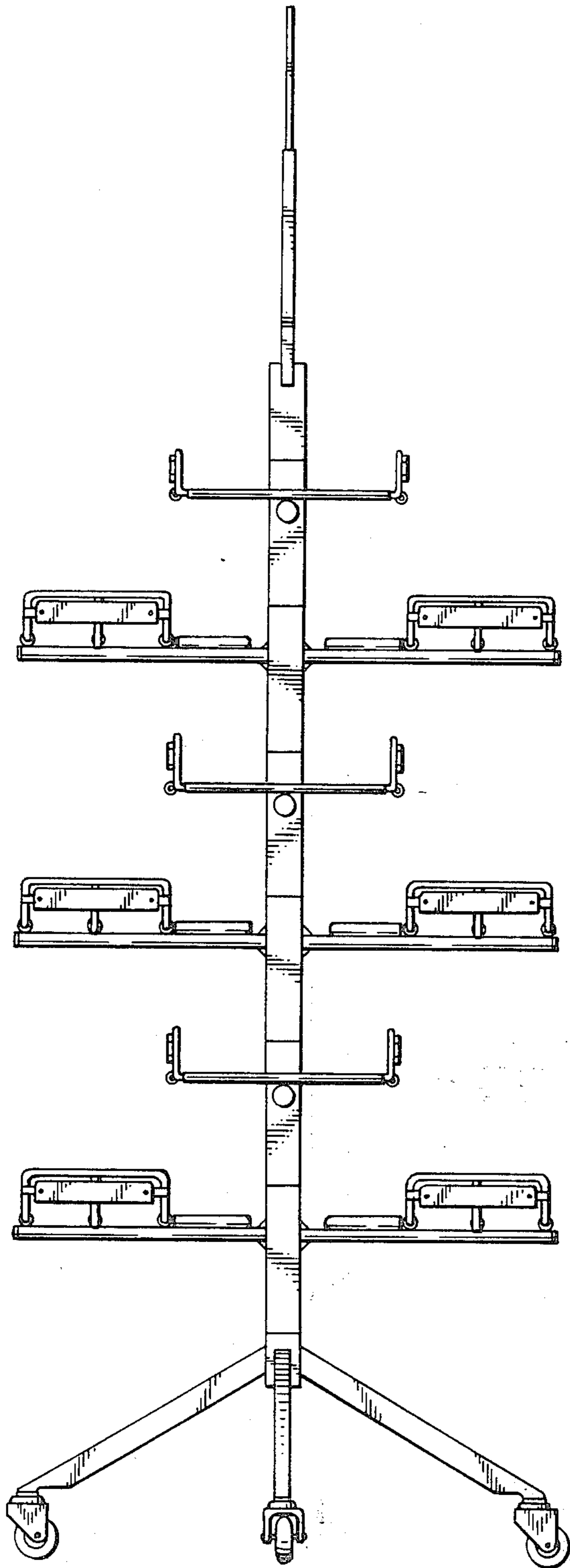


FIG. 4.

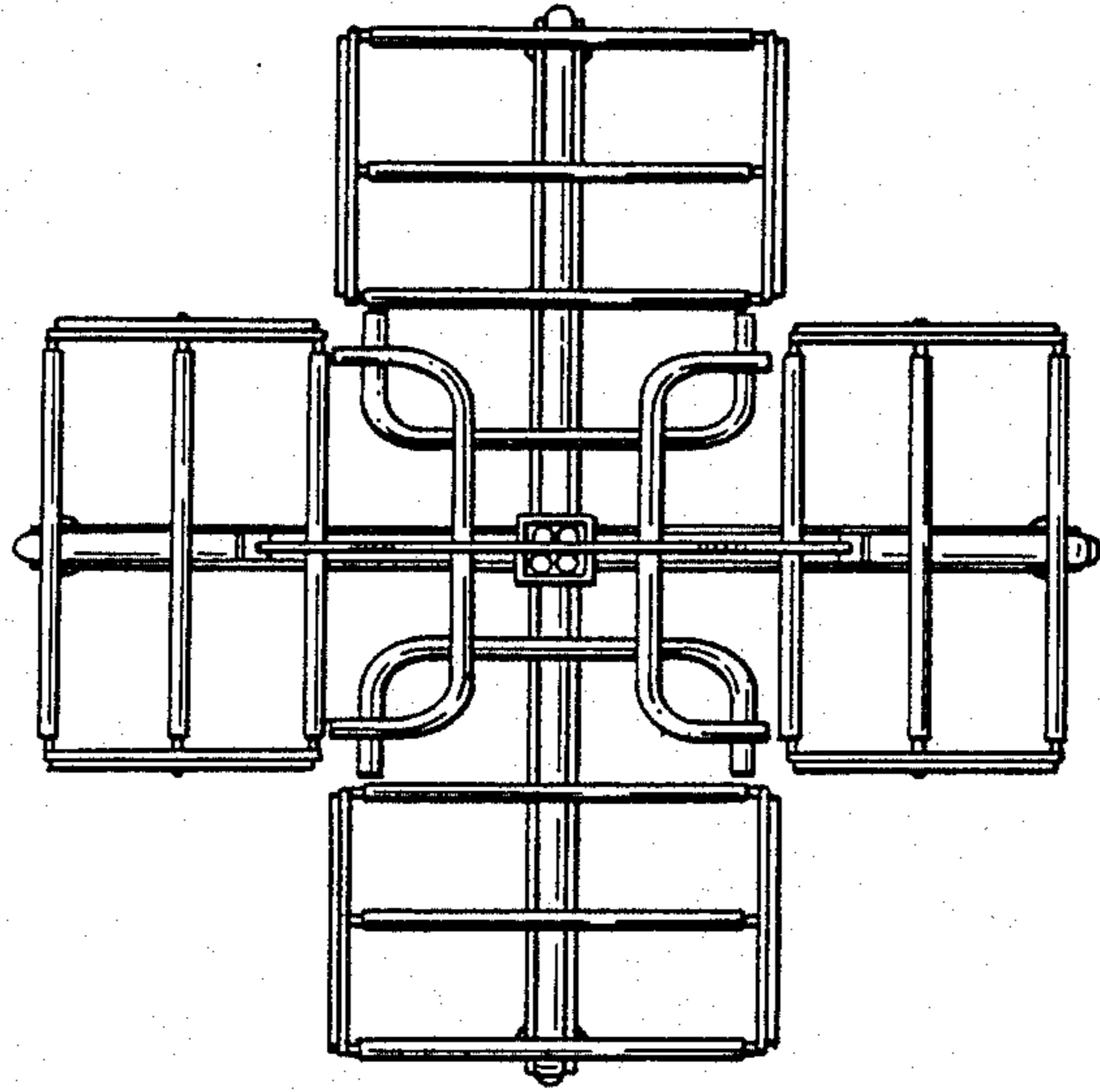


FIG. 5.

