

[54] **BELT MOUNTED BALL CARRIER**

[76] **Inventor:** William Toriumi, 41079 Pajaro Dr., Fremont, Calif. 94538

[**] **Term:** 14 Years

[21] **Appl. No.:** 412,153

[22] **Filed:** Aug. 27, 1982

[52] **U.S. Cl.** D2/400

[58] **Field of Search** D2/400; D21/234, 223; 206/315 B; 224/251, 252, 919

[56] **References Cited**

U.S. PATENT DOCUMENTS

2,074,180	3/1937	Hatley	224/919	X
2,661,129	12/1953	Seaton et al.	224/919	X
3,768,709	10/1973	Kinard	224/919	X
4,065,040	12/1977	Steele	224/919	X
4,256,244	3/1981	Gasper	224/919	X

FOREIGN PATENT DOCUMENTS

573899	4/1959	Canada	224/919
636833	5/1950	United Kingdom	224/919

Primary Examiner—Carmen H. Vales
Attorney, Agent, or Firm—Paul L. Hickman

[57] **CLAIM**

The ornamental design for a belt mounted multiple ball carrier, as shown and described.

DESCRIPTION

FIG. 1 is a front elevational view of a belt mounted multiple ball carrier showing my new design. FIG. 2 is a top plan view thereof; FIG. 3 is a left side elevational view, the right side being a mirror image thereof; FIG. 4 is a rear elevational view thereof; and FIG. 5 is a bottom plan view thereof.

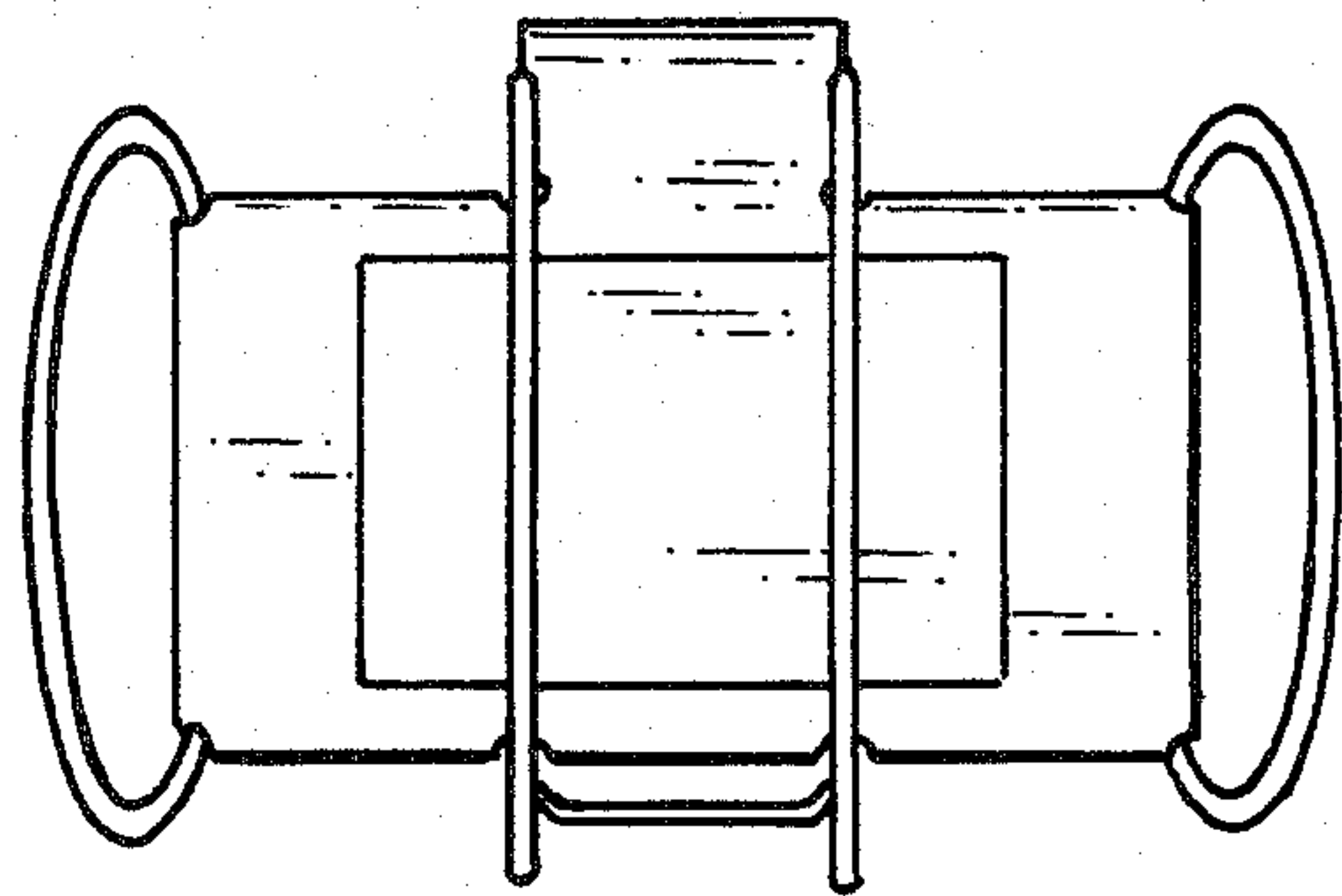
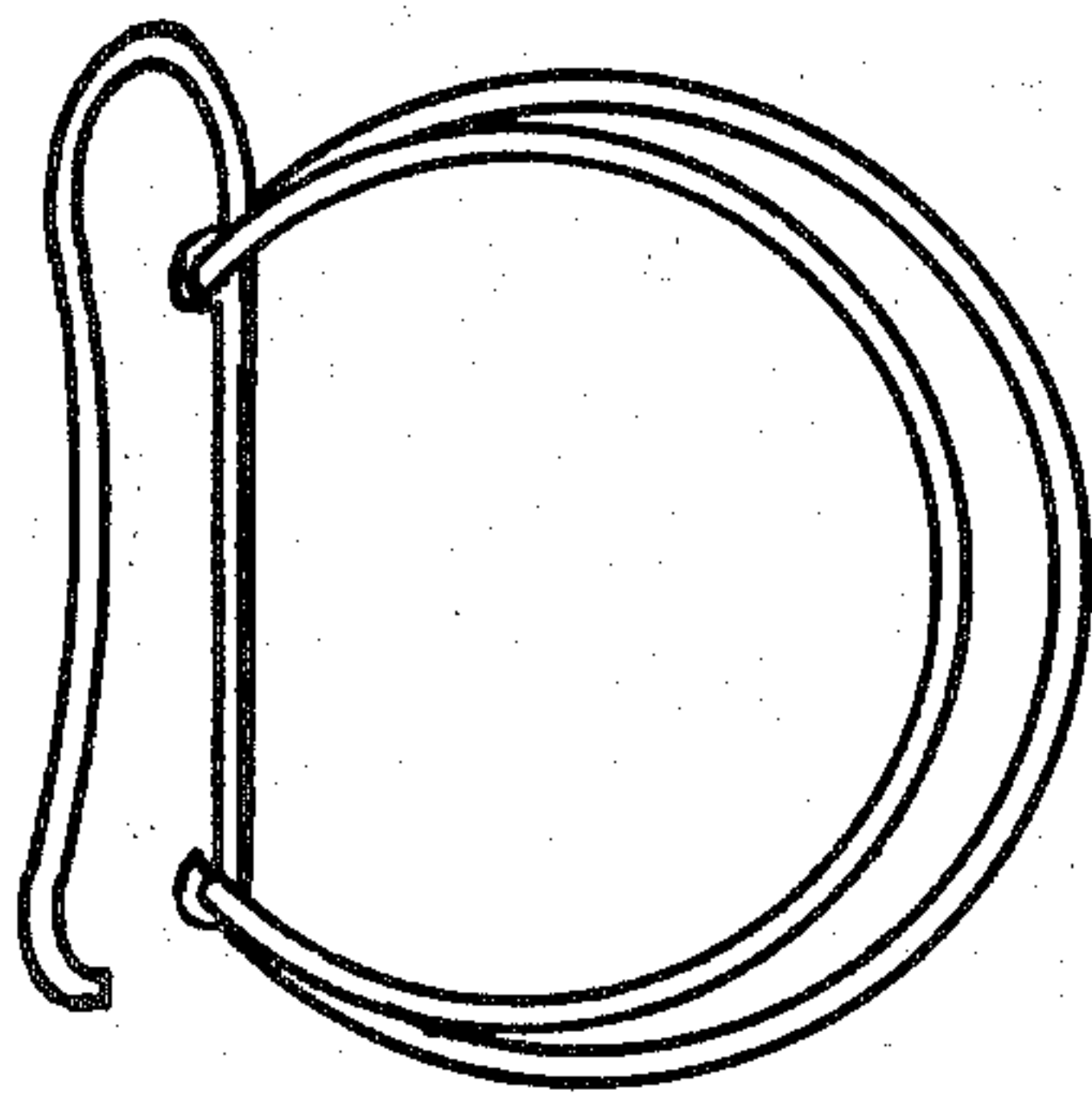


FIG. 2.

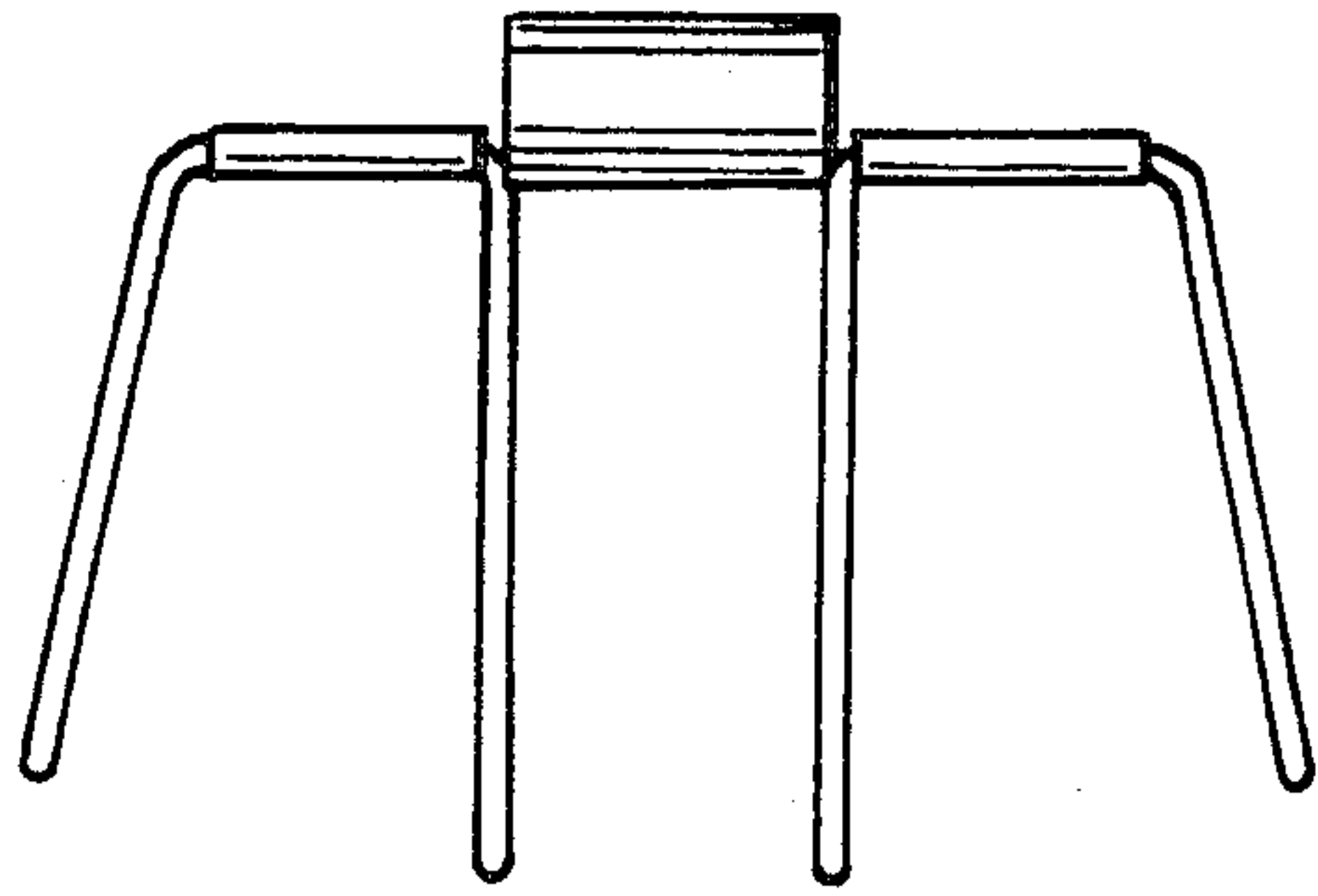


FIG. 3.

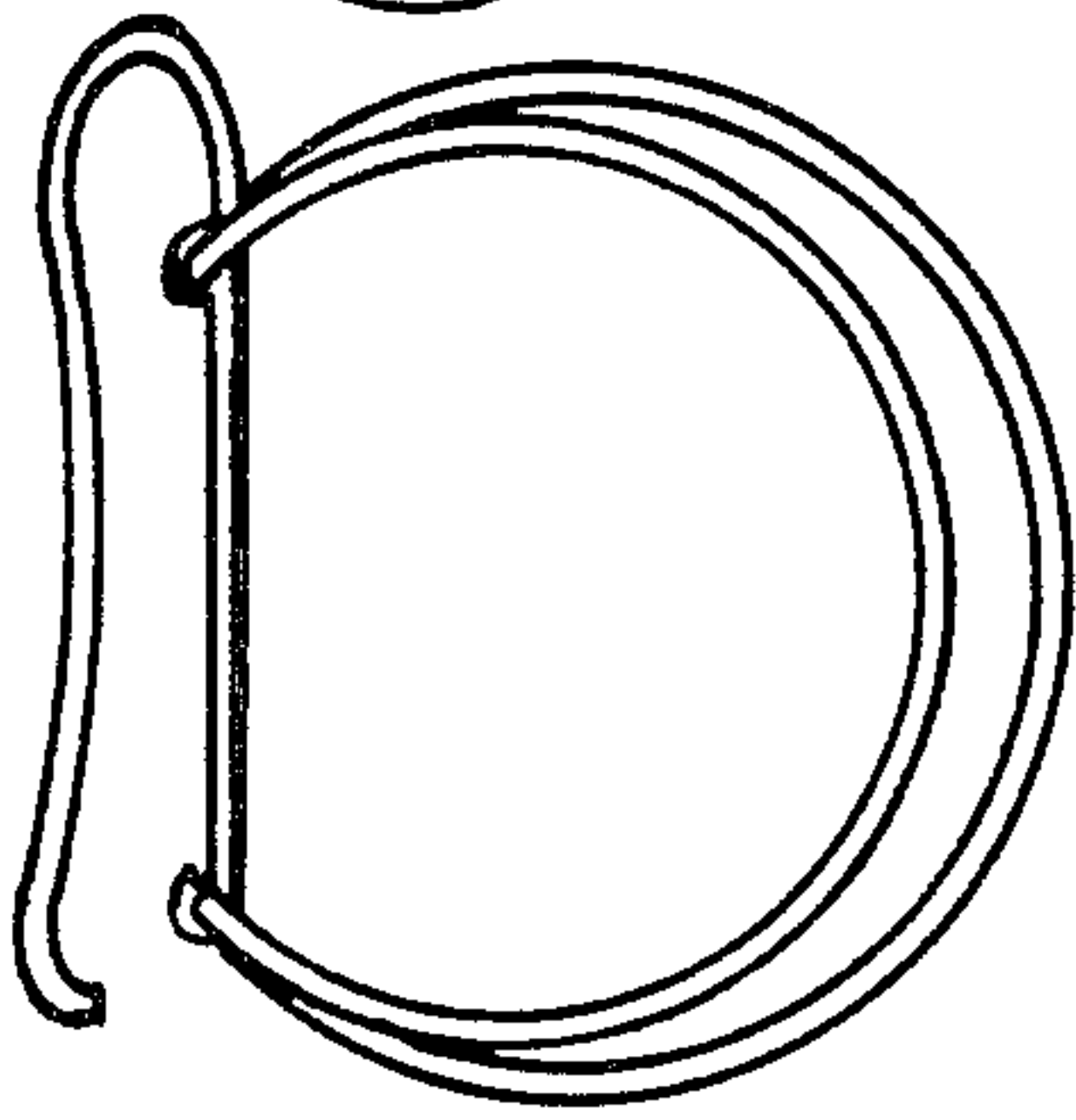


FIG. 1.

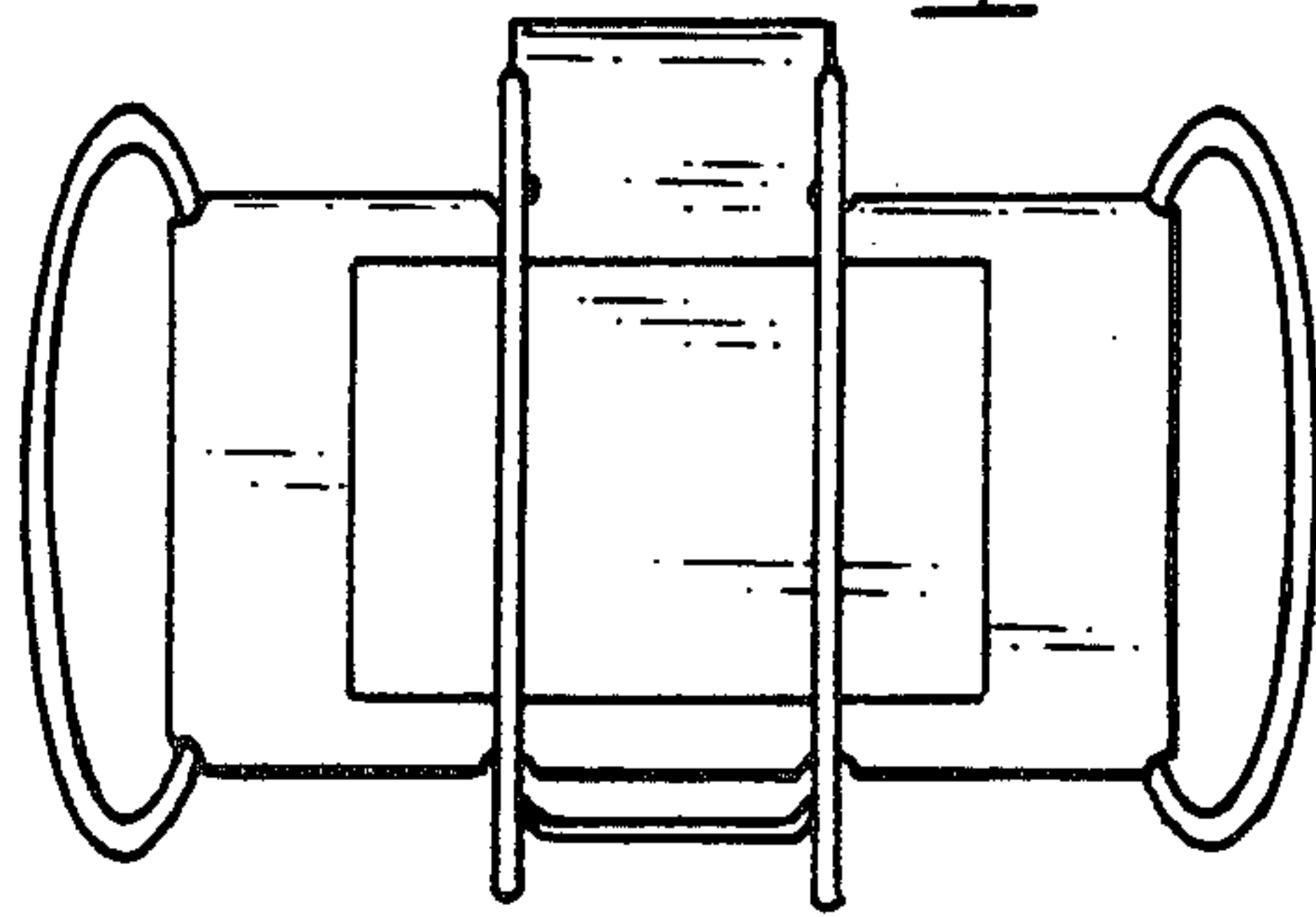


FIG. 4.

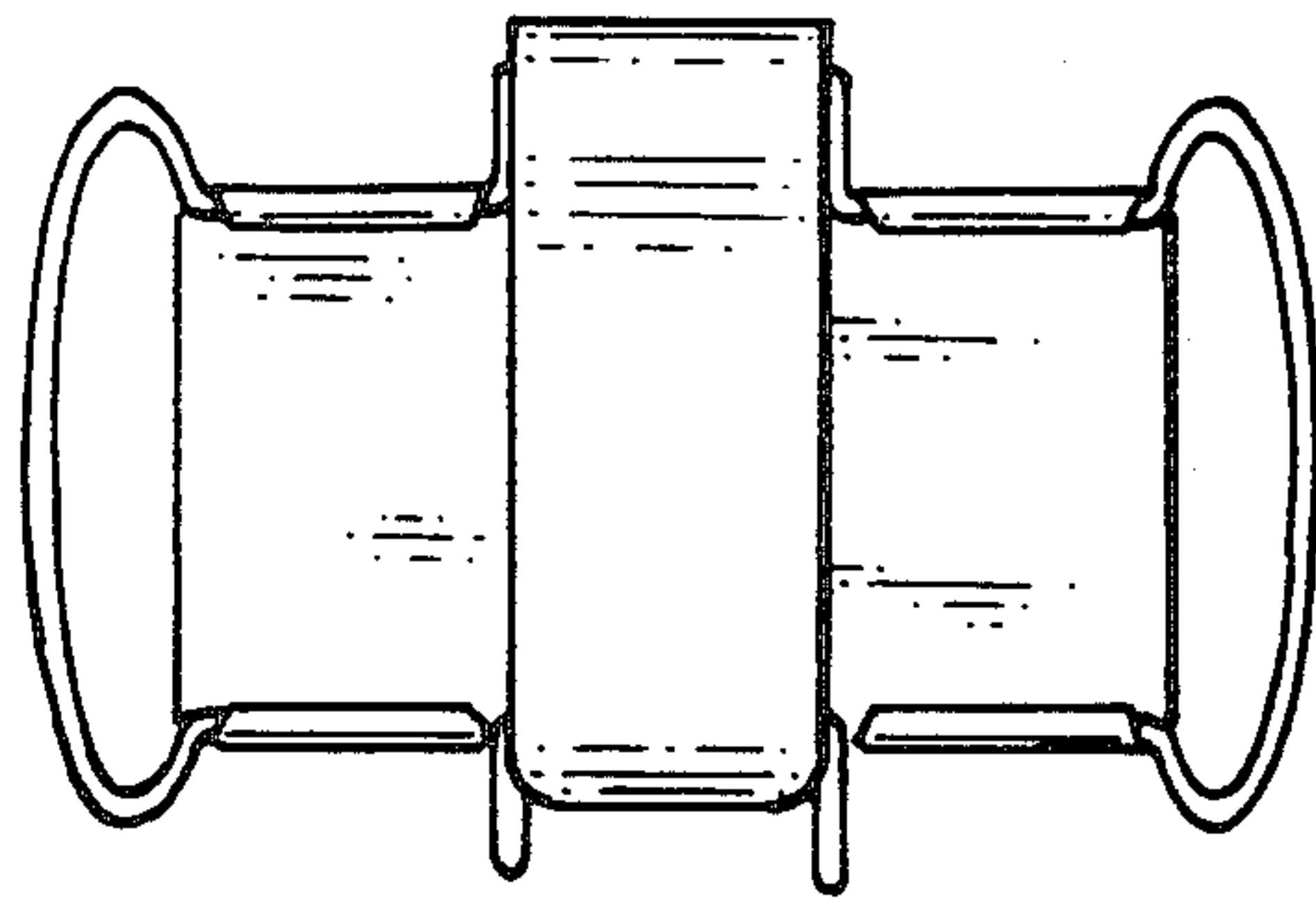


FIG. 5.

