

[54] **HOLDER FOR A PLASTIC TRASH BAG DESIGN**

[76] Inventor: **Ezequiel Rico**, 18092 Pamela, Villa Park, Calif. 92667

[**] Term: **14 Years**

[21] Appl. No.: **355,901**

[22] Filed: **Mar. 8, 1982**

[52] U.S. Cl. **D34/6**

[58] Field of Search D34/6; 248/95, 99-101

[56] **References Cited**

U.S. PATENT DOCUMENTS

D. 188,261	6/1960	Kallstrom	D34/6
D. 198,999	8/1964	Brighton	D34/6
D. 245,222	8/1977	Harding	D34/6

Primary Examiner—Catherine E. Kemper
Attorney, Agent, or Firm—Knobbe, Martens, Olson & Bear

[57] **CLAIM**

The ornamental design for a holder for a plastic trash bag, as shown and described.

DESCRIPTION

FIG. 1 is a perspective view showing the top, right, and front of a holder for a plastic trash bag showing my new design;

FIG. 2 is a right side elevation view thereof;

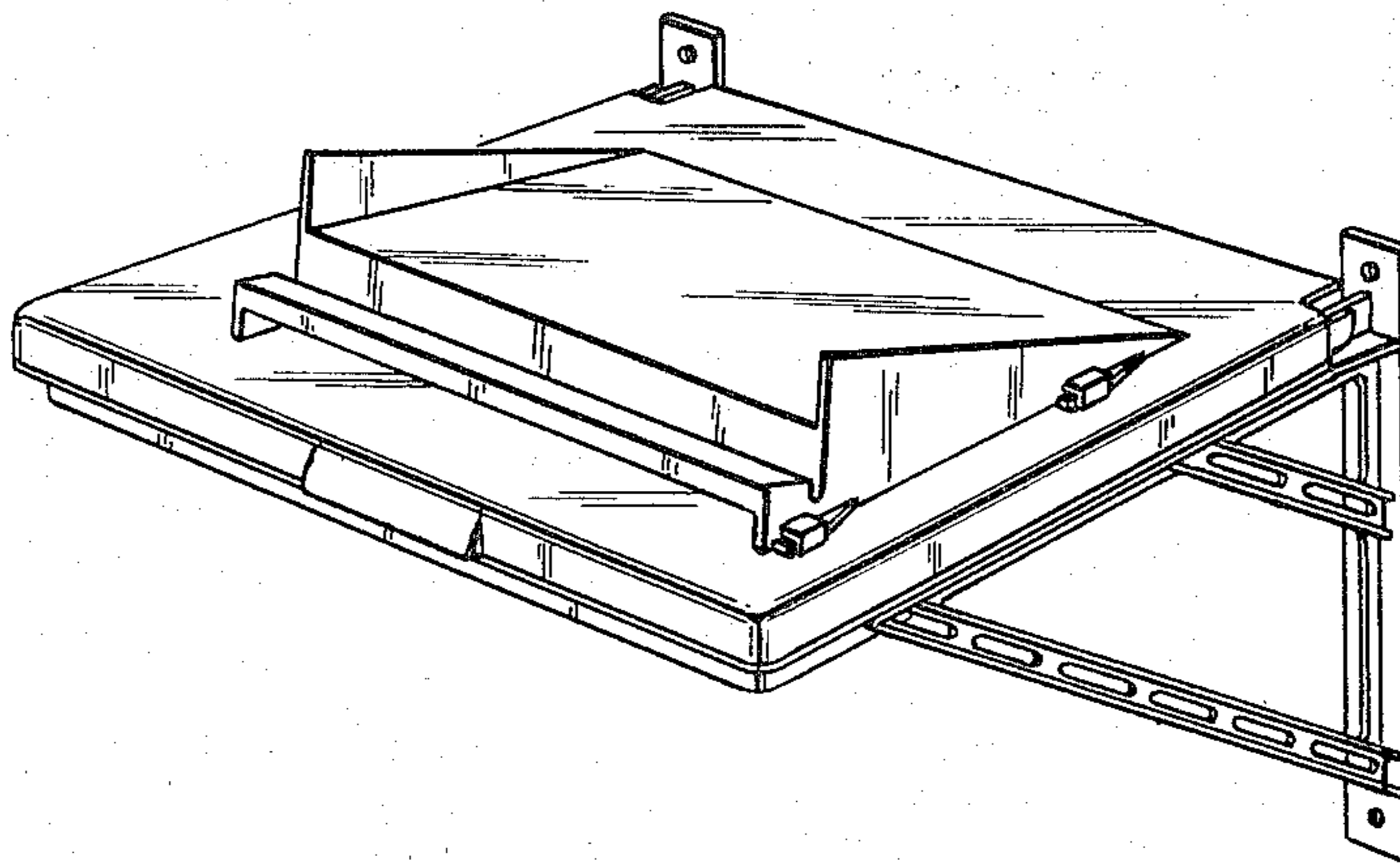
FIG. 3 is a front elevation view thereof;

FIG. 4 is a top plan view thereof;

FIG. 5 is a bottom plan view thereof;

FIG. 6 is a rear elevation view thereof;

FIG. 7 is a perspective view thereof, like FIG. 1, but showing the lid open.



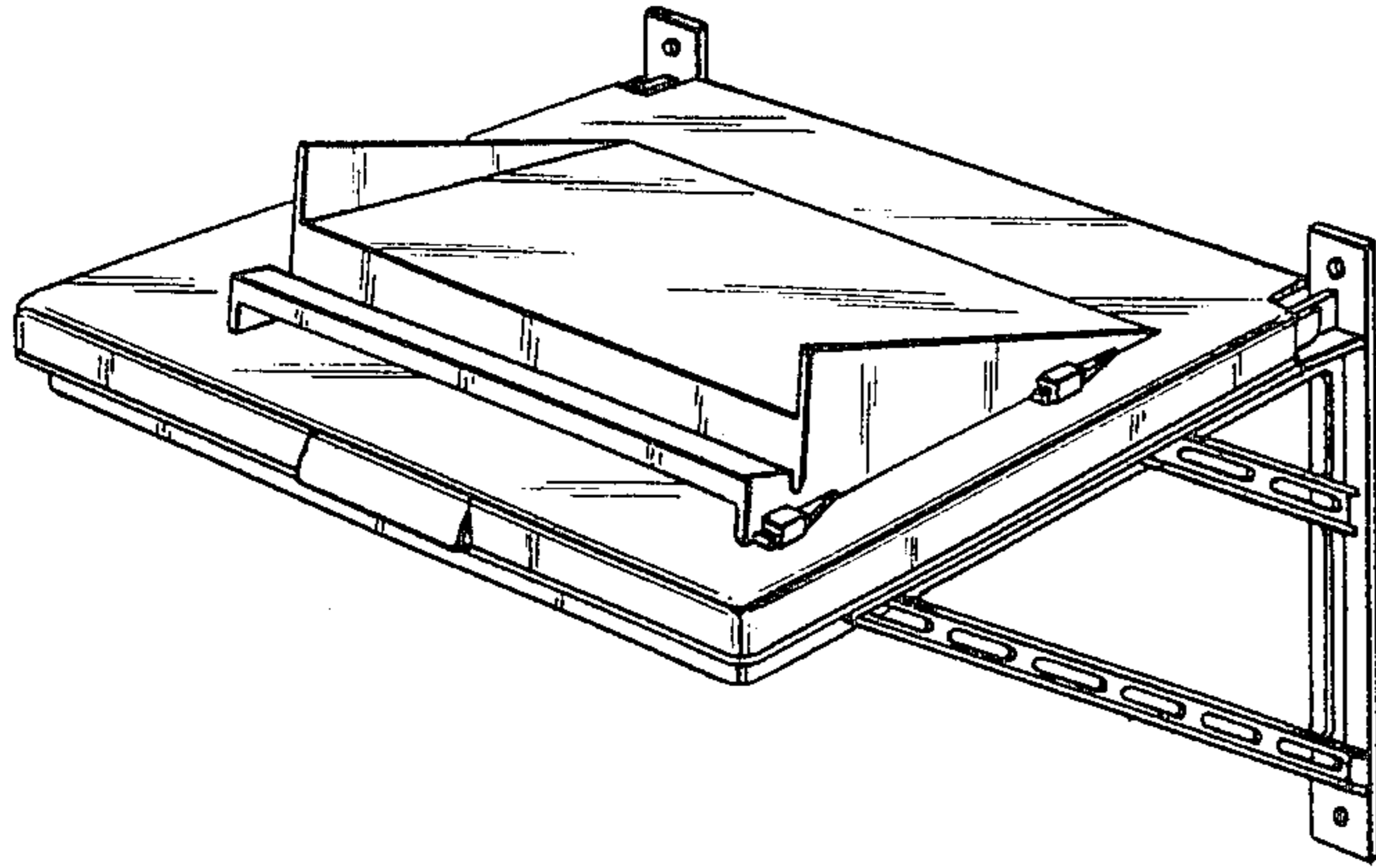


Fig. 1

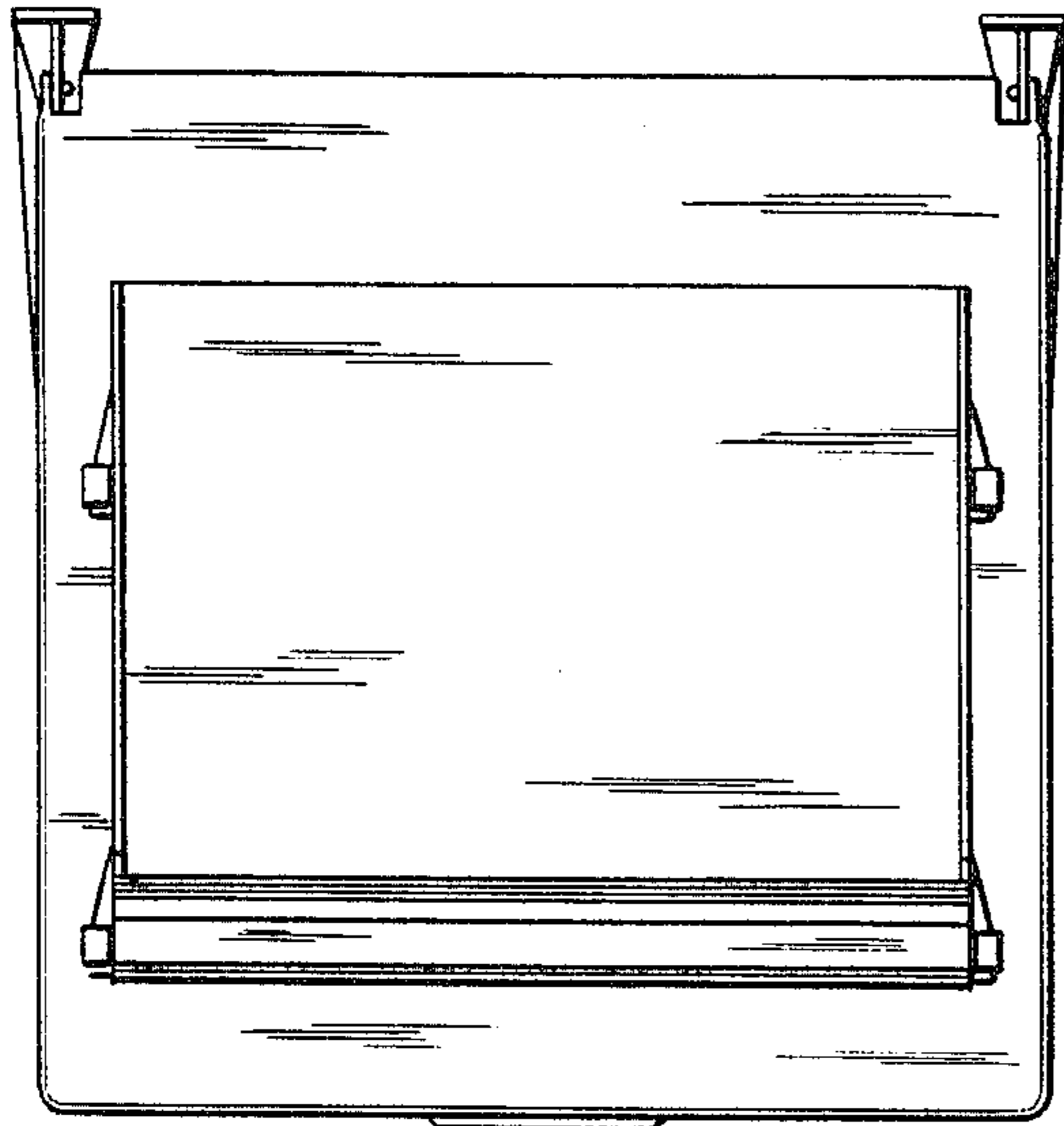


Fig. 4

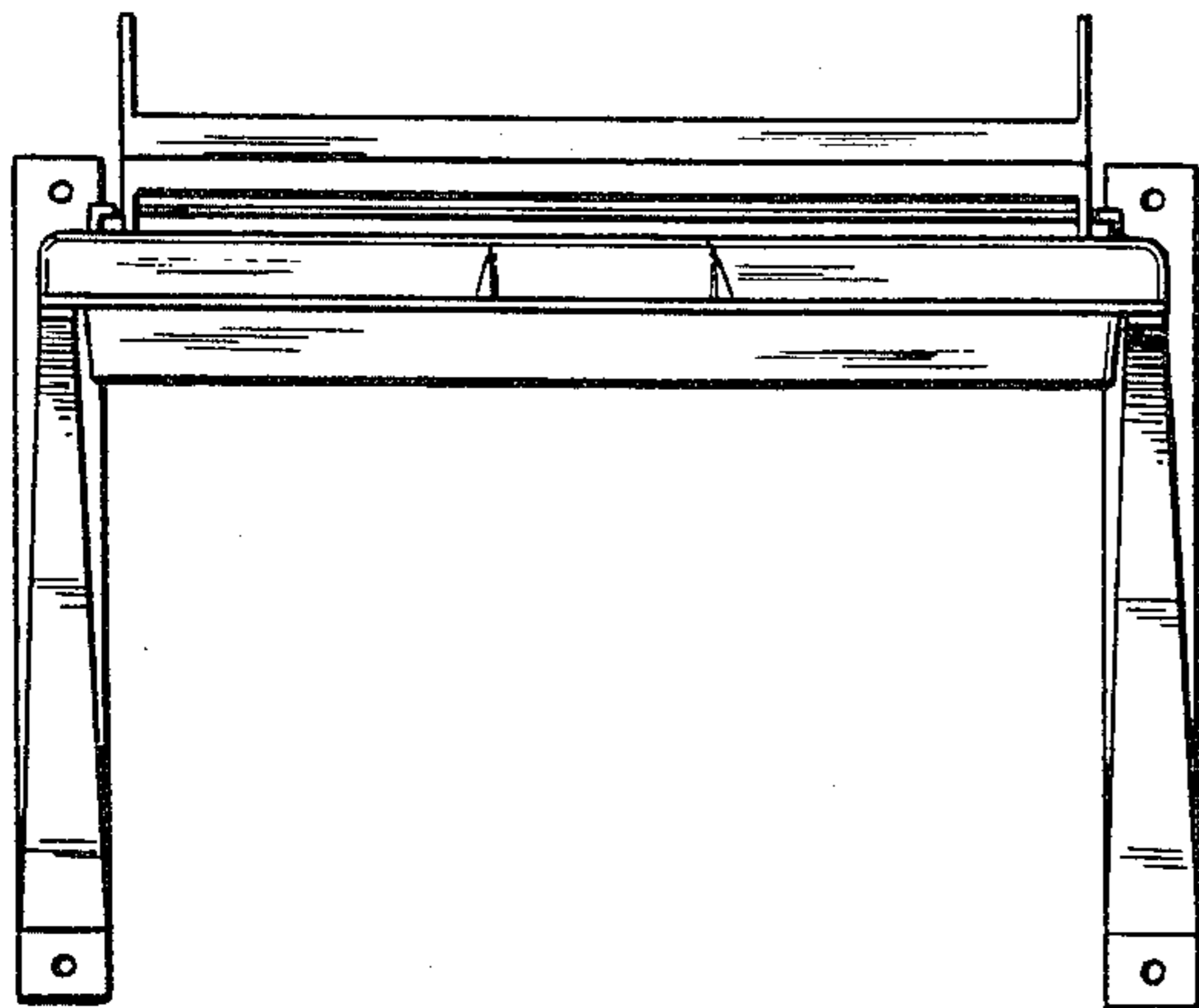


Fig. 3

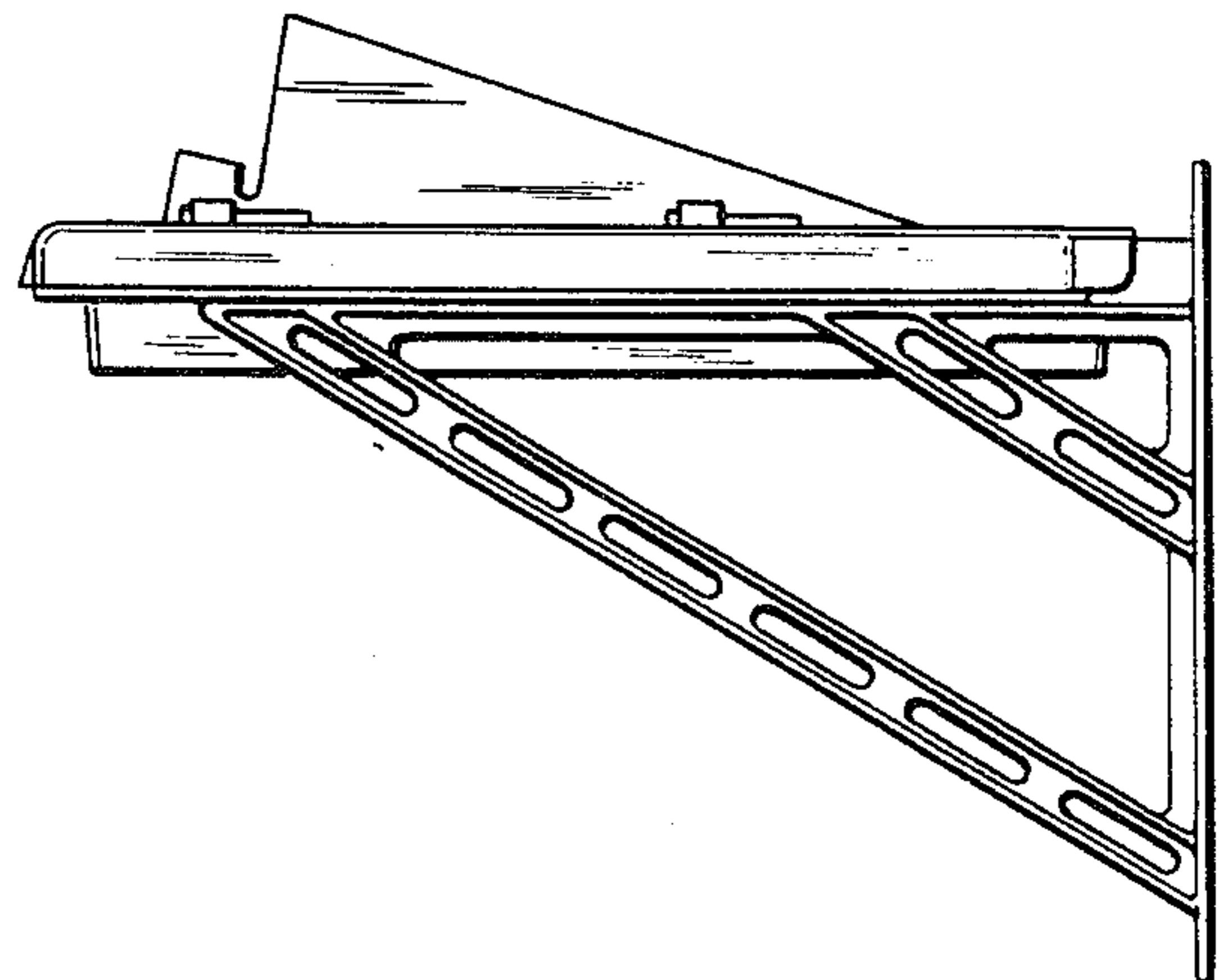


Fig. 2

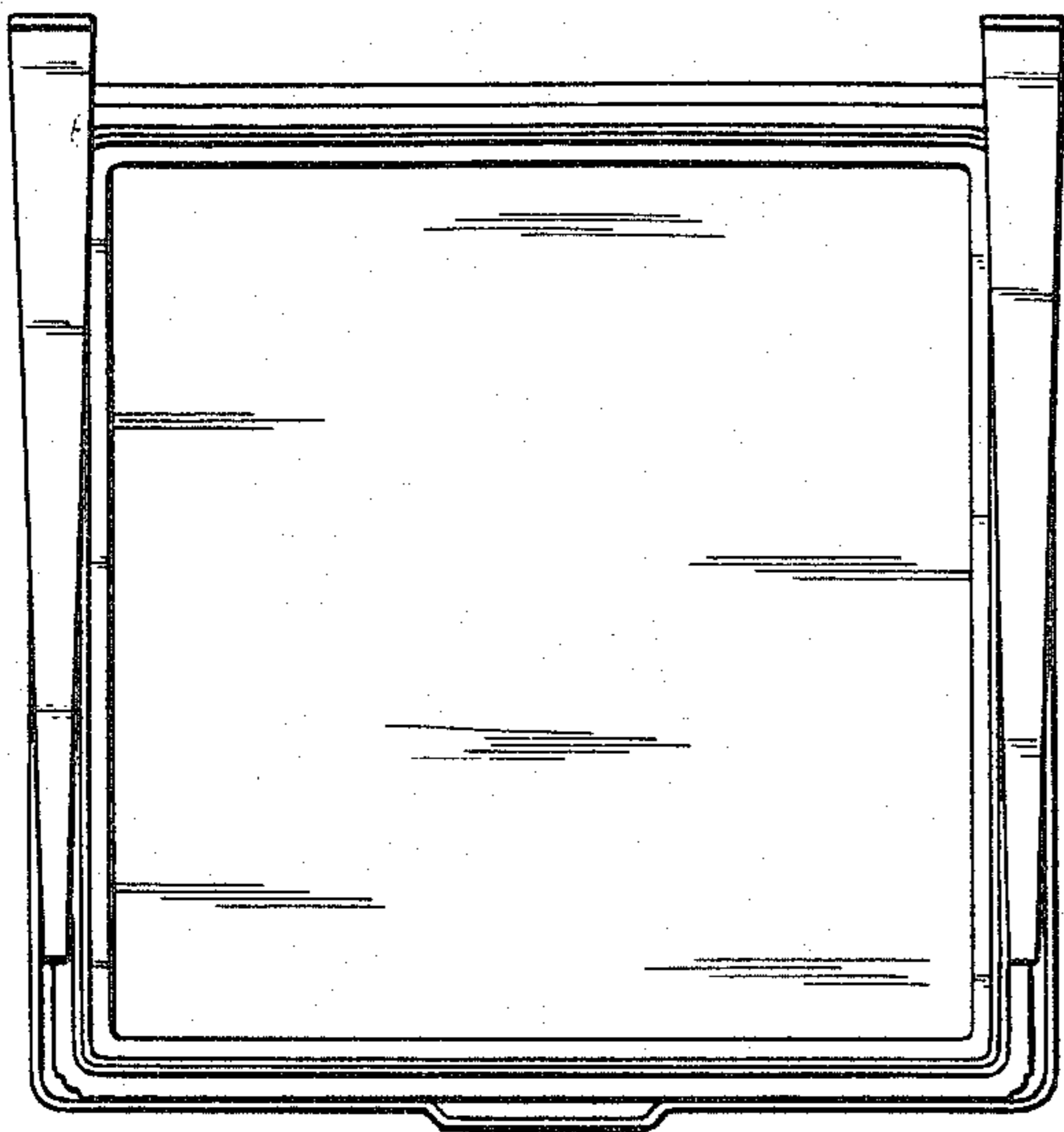


Fig. 5

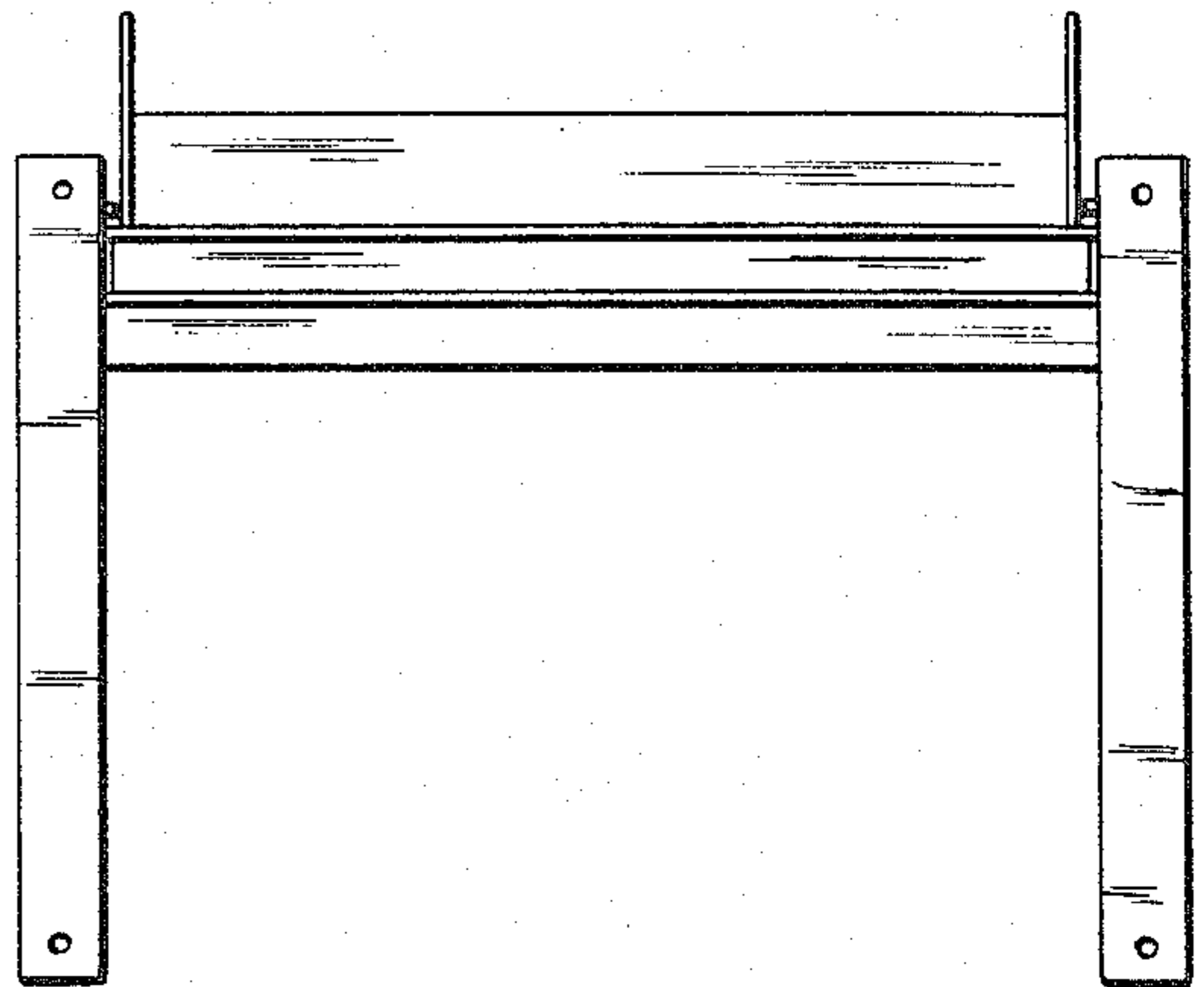


Fig. 6

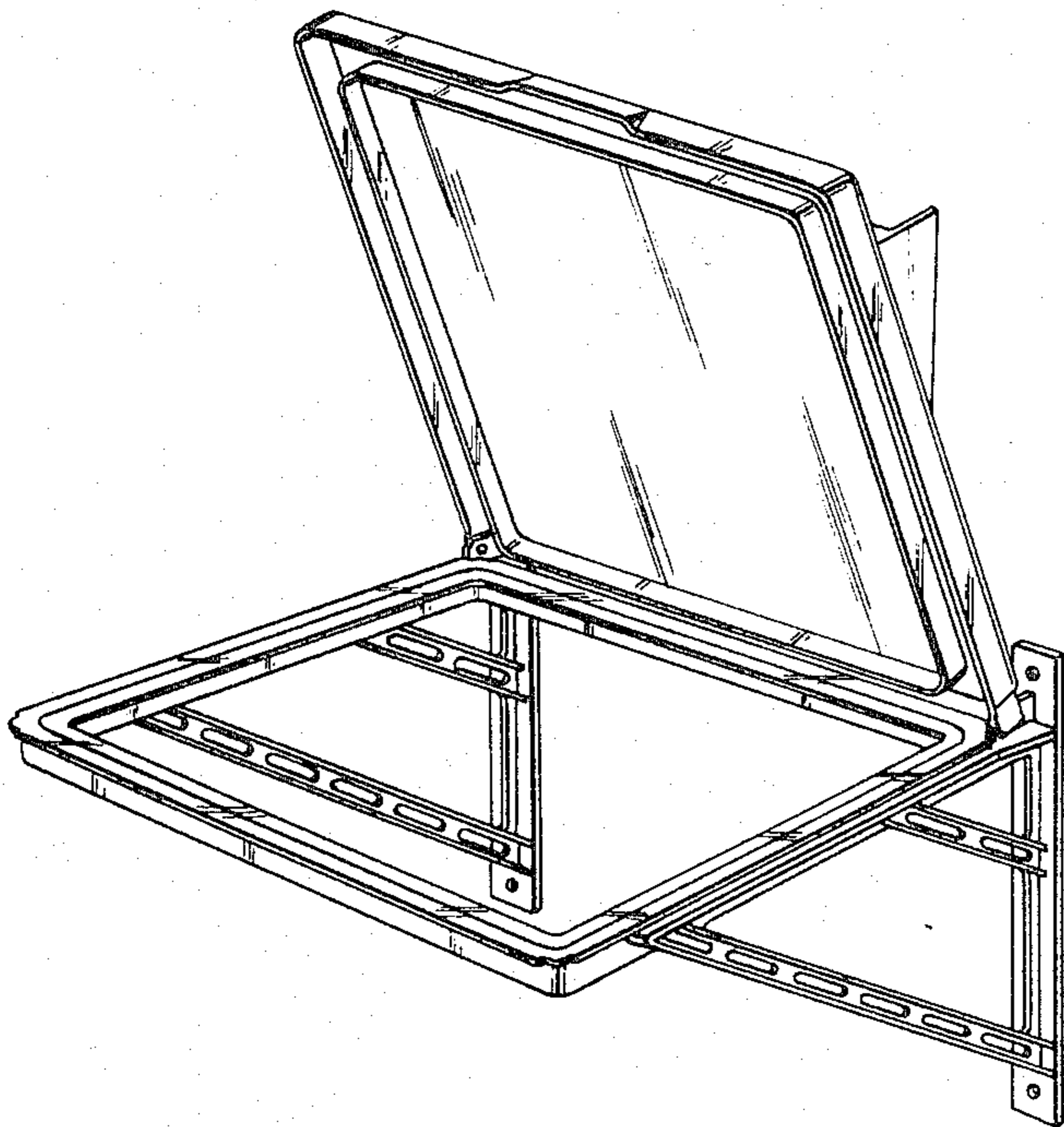


Fig. 7