

[54] **PET FOOD DISH HOLDER**
[76] **Inventor: Paul A. Bello, 1109 Ralph Ter. 2,
Saint Louis, Mo. 63117**
[**] **Term: 14 Years**
[21] **Appl. No.: 295,254**
[22] **Filed: Jun. 18, 1982**
[52] **U.S. Cl. D30/16**
[58] **Field of Search D30/13-17;
119/61**

2,887,988 5/1959 Cottongim 119/61 X
3,661,121 5/1972 Zielin 119/61
4,257,353 3/1981 Imhoff 119/61
4,399,772 8/1983 Salinas 119/61 X

Primary Examiner—James R. Largen
Attorney, Agent, or Firm—Rogers, Eilers, Howell,
Renner, Moore & Haferkamp

[57] **CLAIM**

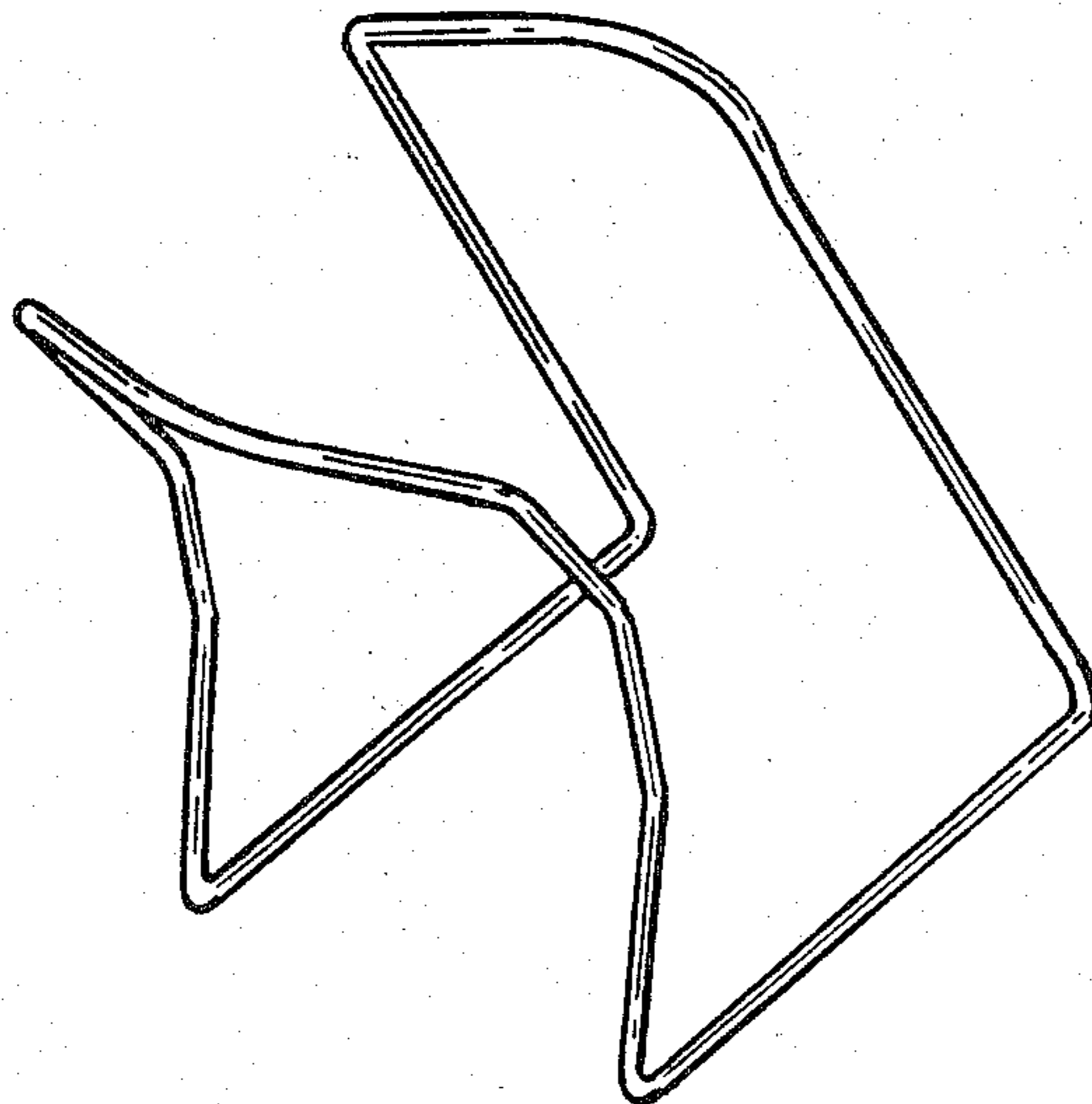
The ornamental design for a pet food dish holder, as shown and described.

[56] **References Cited**
U.S. PATENT DOCUMENTS

D. 105,450 7/1937 Clifton D30/16
D. 132,421 5/1942 Krapp D30/16
D. 198,743 7/1964 Robert D30/16
D. 257,068 9/1980 Imhoff D30/16
2,366,584 1/1945 Woodward D30/16 X
2,584,301 2/1952 Sinclair 119/61
2,801,609 8/1957 Webster 119/61 X

DESCRIPTION

FIG. 1 is a perspective view of a pet food dish holder showing my new design;
FIG. 2 is a top view thereof;
FIG. 3 is a right side elevational view thereof, the left side being a mirror image of the right side shown; and
FIG. 4 is a front elevational view thereof.
The broken line representation of a pet food dish in FIG. 3 is for purposes of illustration only.



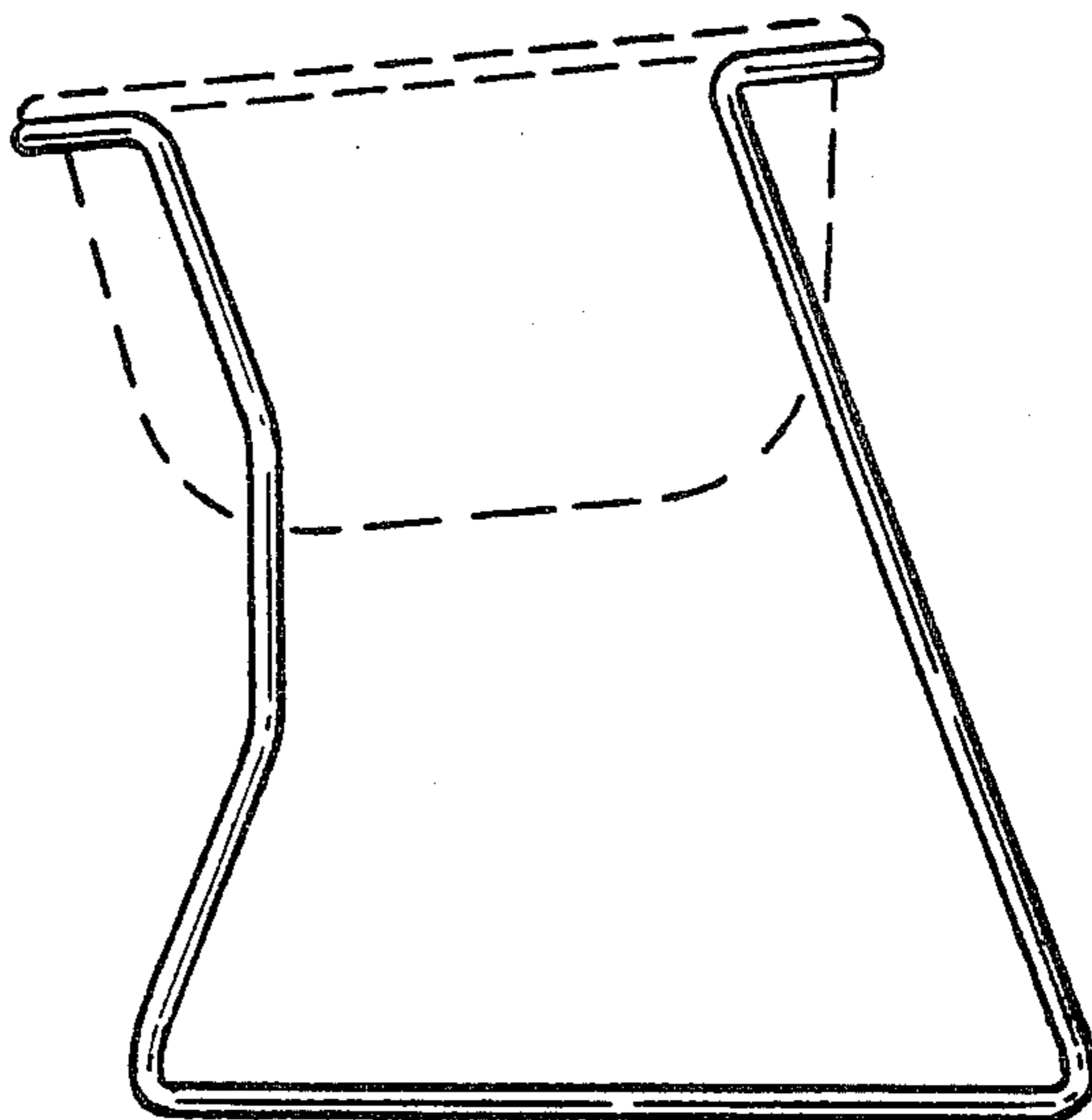
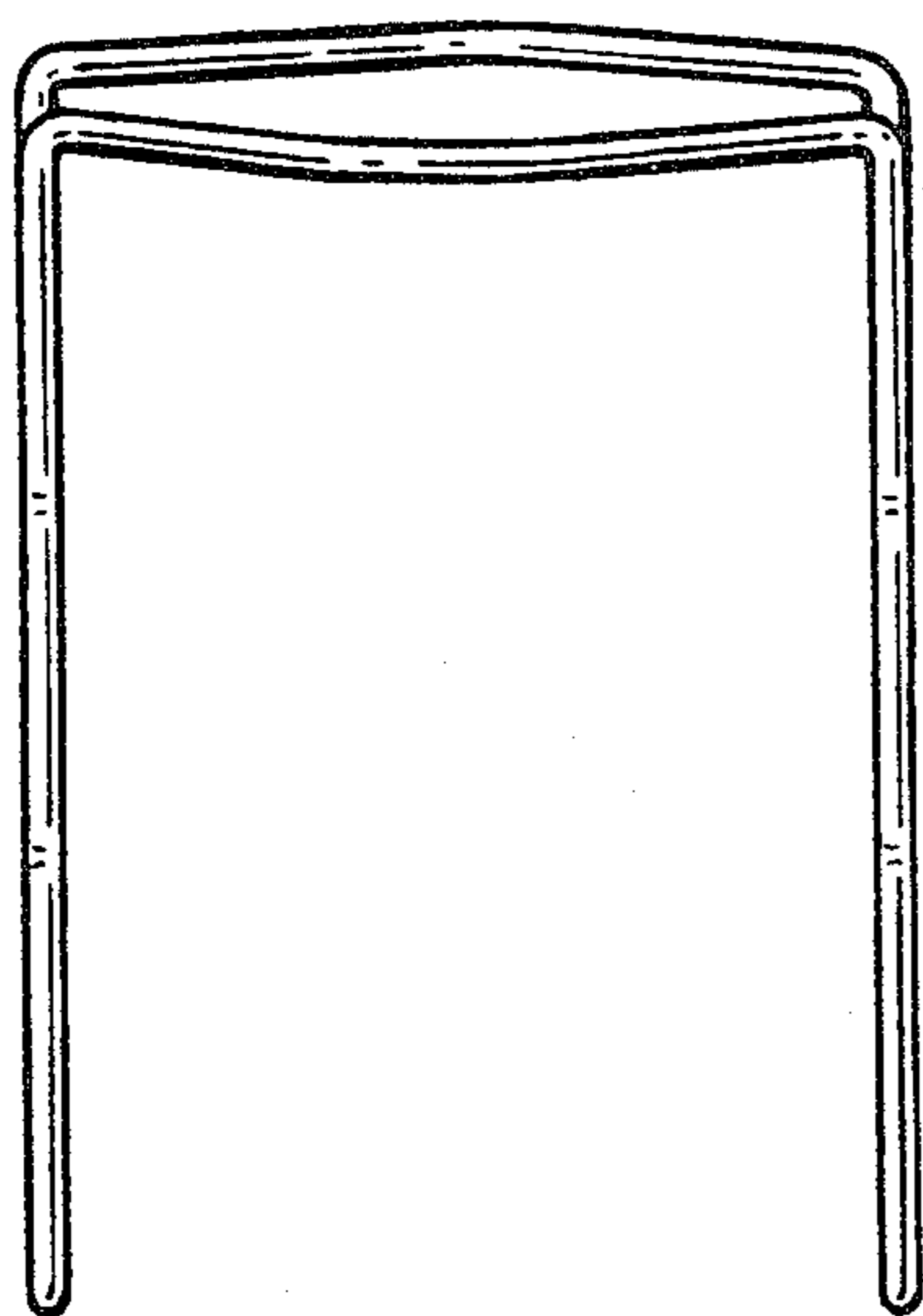
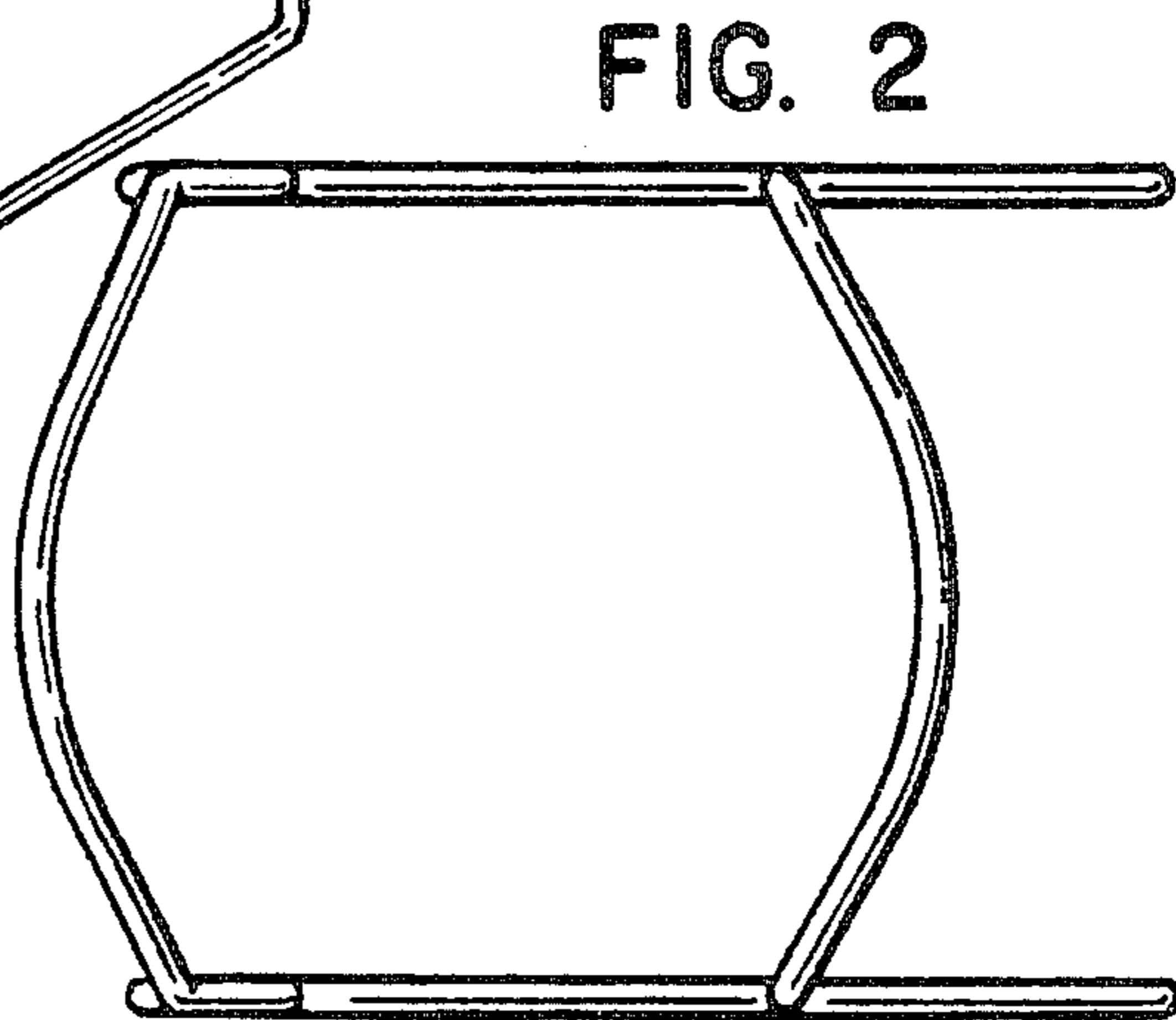
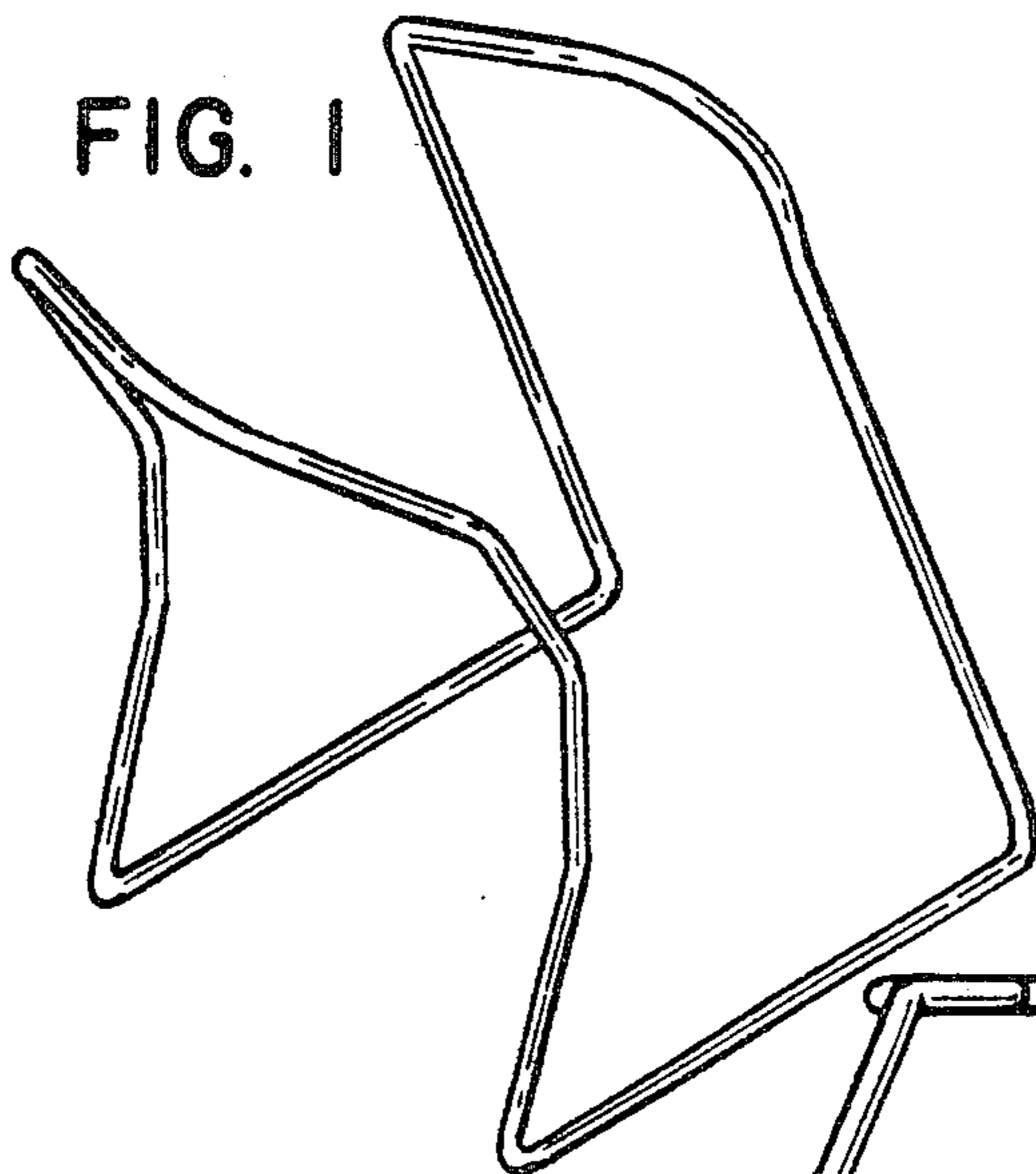


FIG. 4

FIG. 3