

United States Patent [19]

deCandia

[11] Patent Number: **Des. 277,701**

[45] Date of Patent: **** Feb. 19, 1985**

[54] **OUTDOOR LUMINAIRE**

[75] Inventor: **Giovanni deCandia**, Germantown, Tenn.

[73] Assignee: **International Telephone and Telegraph Corporation**, New York, N.Y.

[**] Term: **14 Years**

[21] Appl. No.: **405,178**

[22] Filed: **Aug. 4, 1982**

[52] U.S. Cl. **D26/67**

[58] Field of Search 362/348, 349, 350, 351, 362/355, 363, 296, 297, 300, 307, 311, 227, 235, 267, 431, 362, 368; D26/67-71

[56] **References Cited**

U.S. PATENT DOCUMENTS

D. 179,339 12/1956 Clark et al. D26/71 X
D. 195,991 8/1963 Pettengill D26/71

D. 200,343 2/1965 Izzi D26/71
3,088,766 5/1963 Kember et al. 362/335 X
4,162,779 7/1979 Steenhoven et al. 362/404 X

OTHER PUBLICATIONS

Architectural Record, Mid-Oct. 1974, p. 161, Security Light #638.

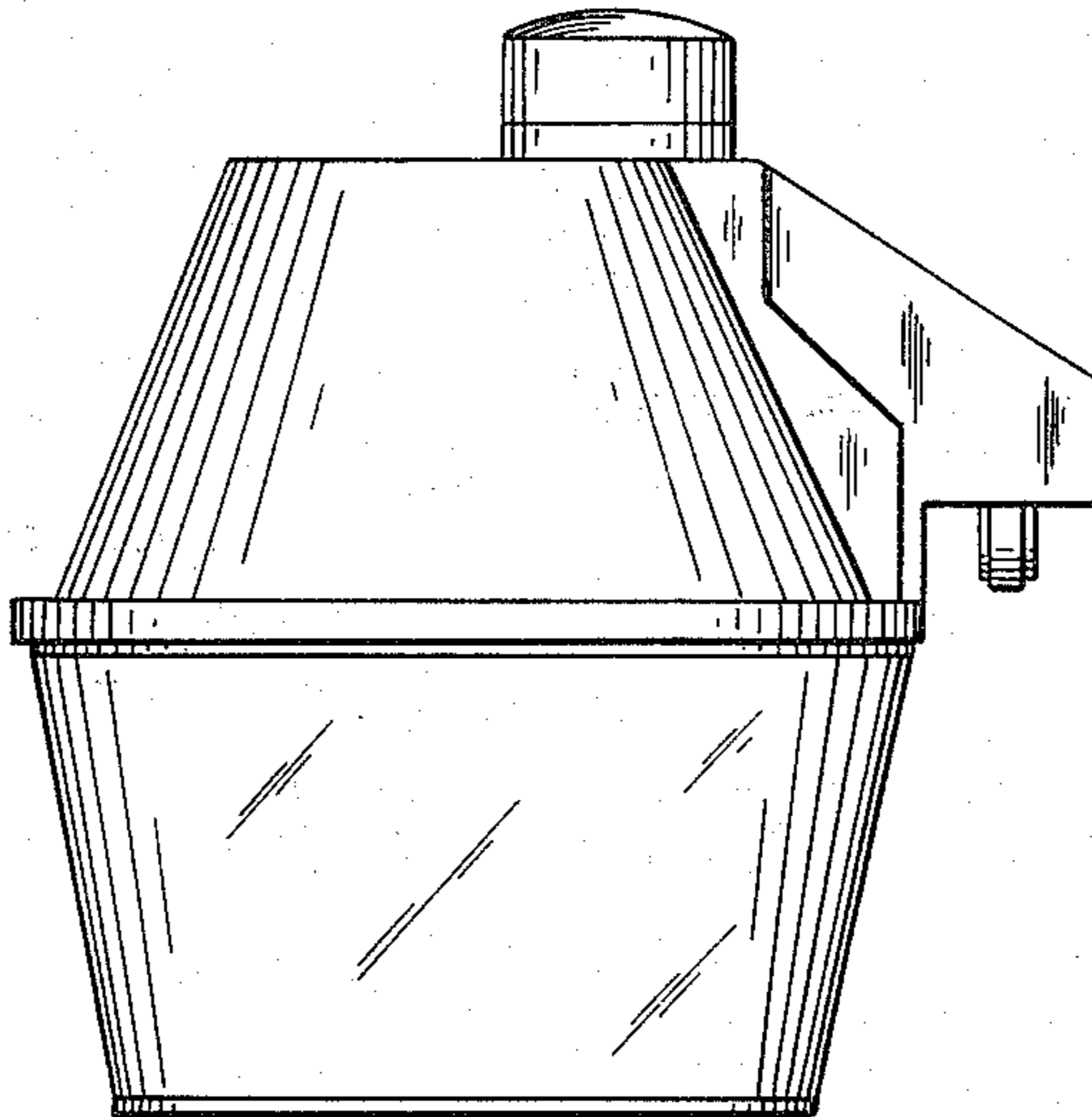
Primary Examiner—Susan J. Lucas
Attorney, Agent, or Firm—James B. Raden; Edward J. Brosius

[57] **CLAIM**

The ornamental design for an outdoor luminaire, as shown and described.

DESCRIPTION

FIG. 1 is a side view in elevation of an outdoor luminaire showing my new design;
FIG. 2 is a top plan view thereof;
FIG. 3 is a front view in elevation thereof;
FIG. 4 is a bottom plan view thereof; and
FIG. 5 is a rear view in elevation thereof.



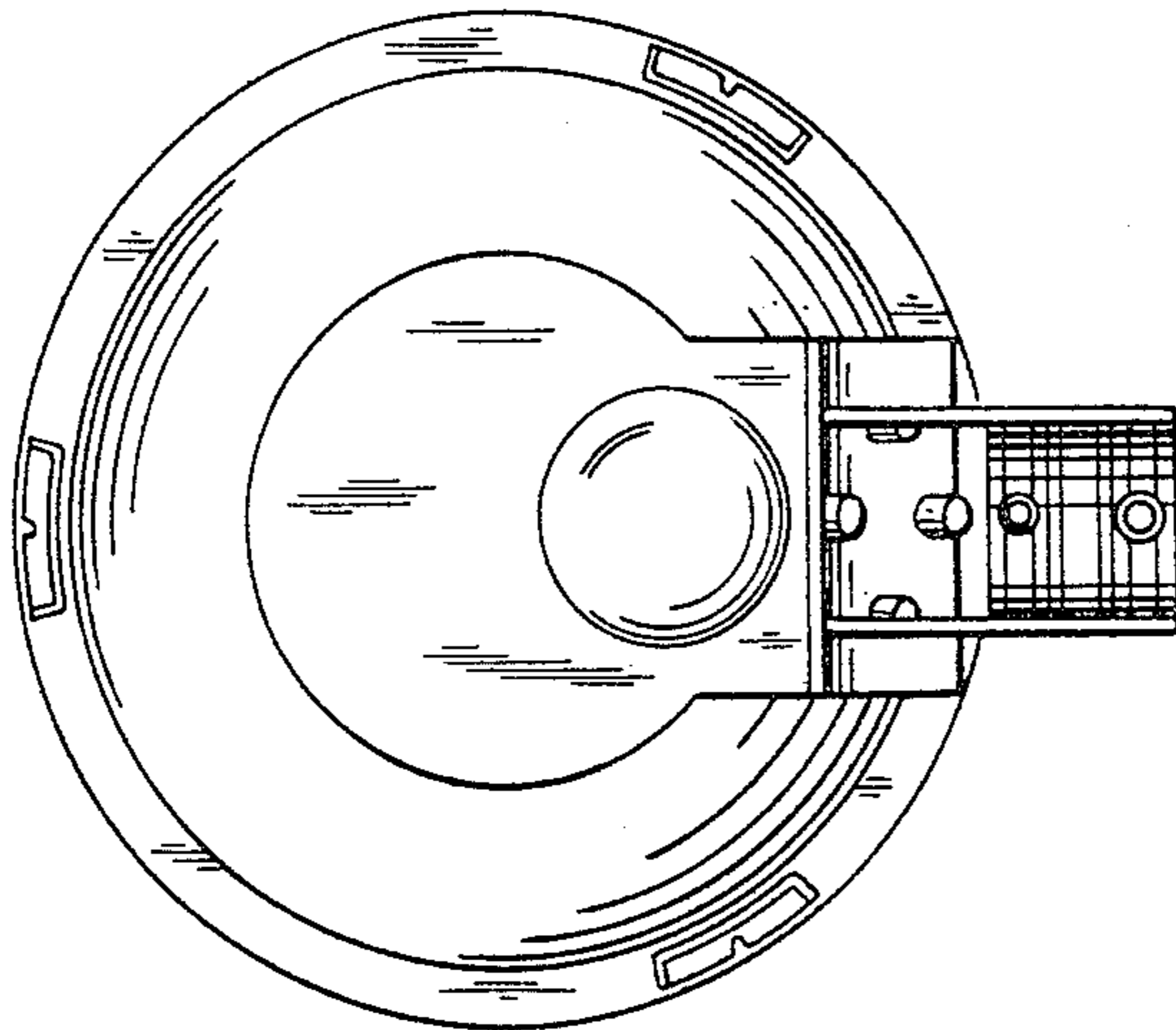


FIG. 2

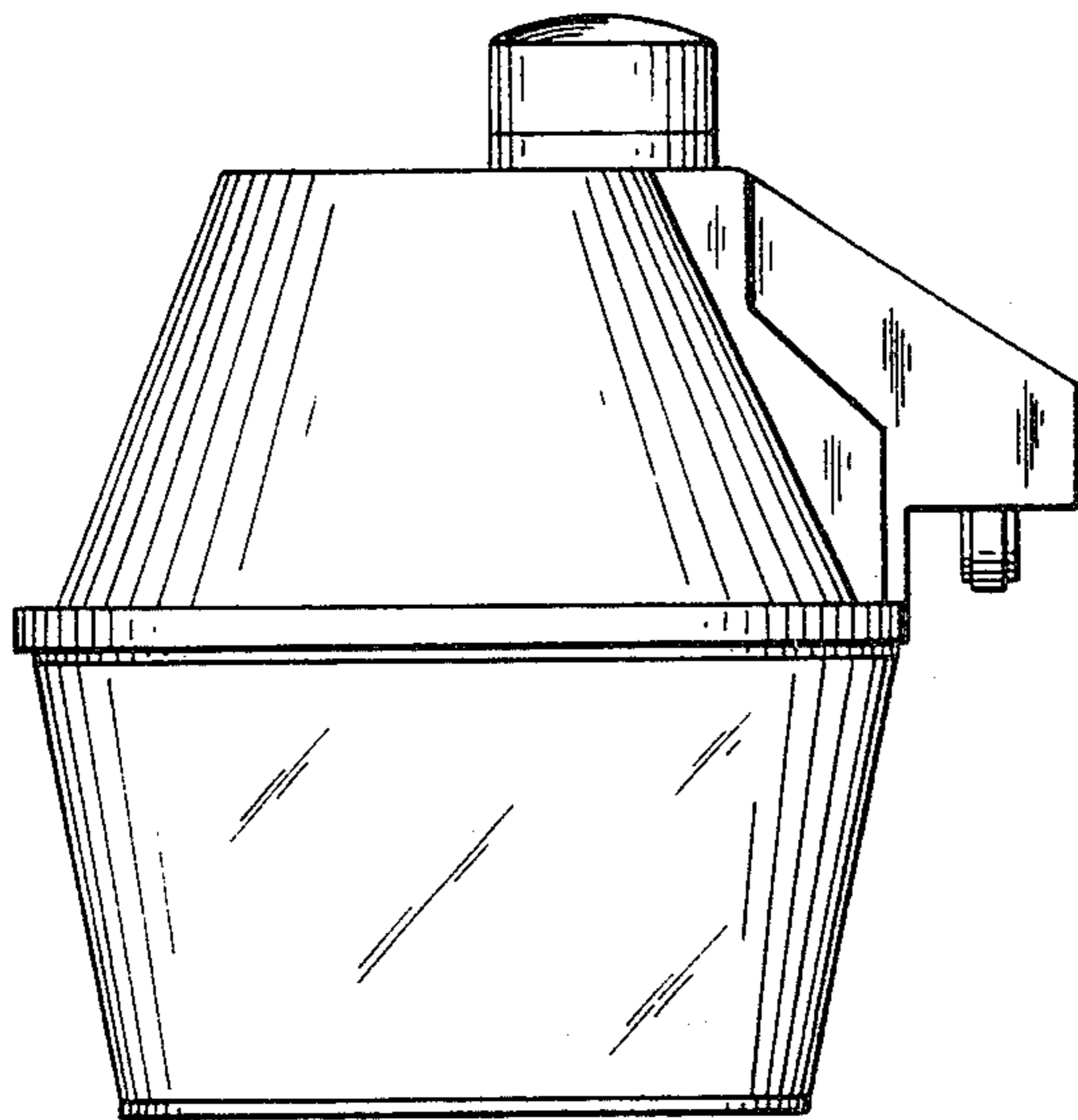


FIG. 1

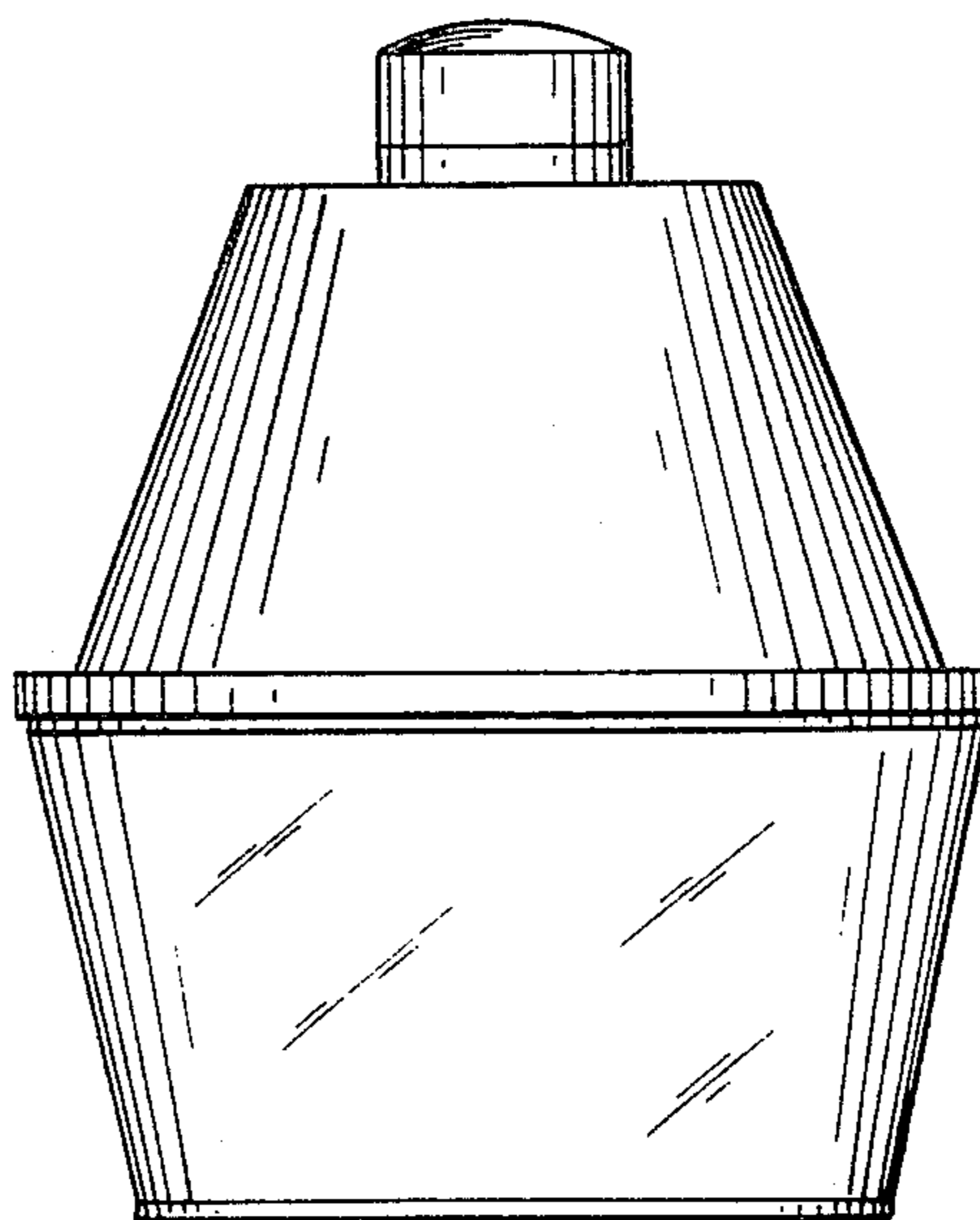


FIG. 3

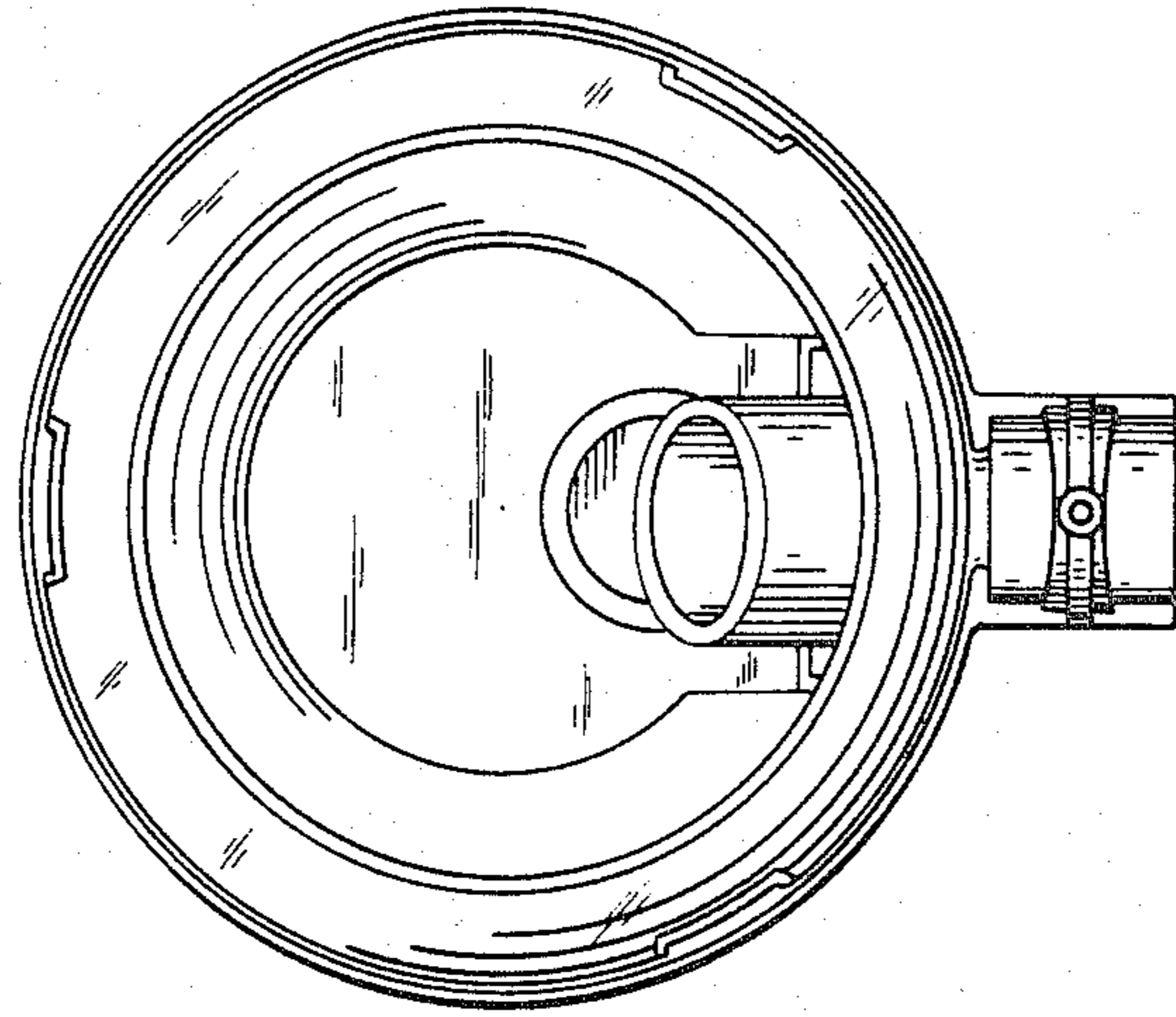


FIG. 4

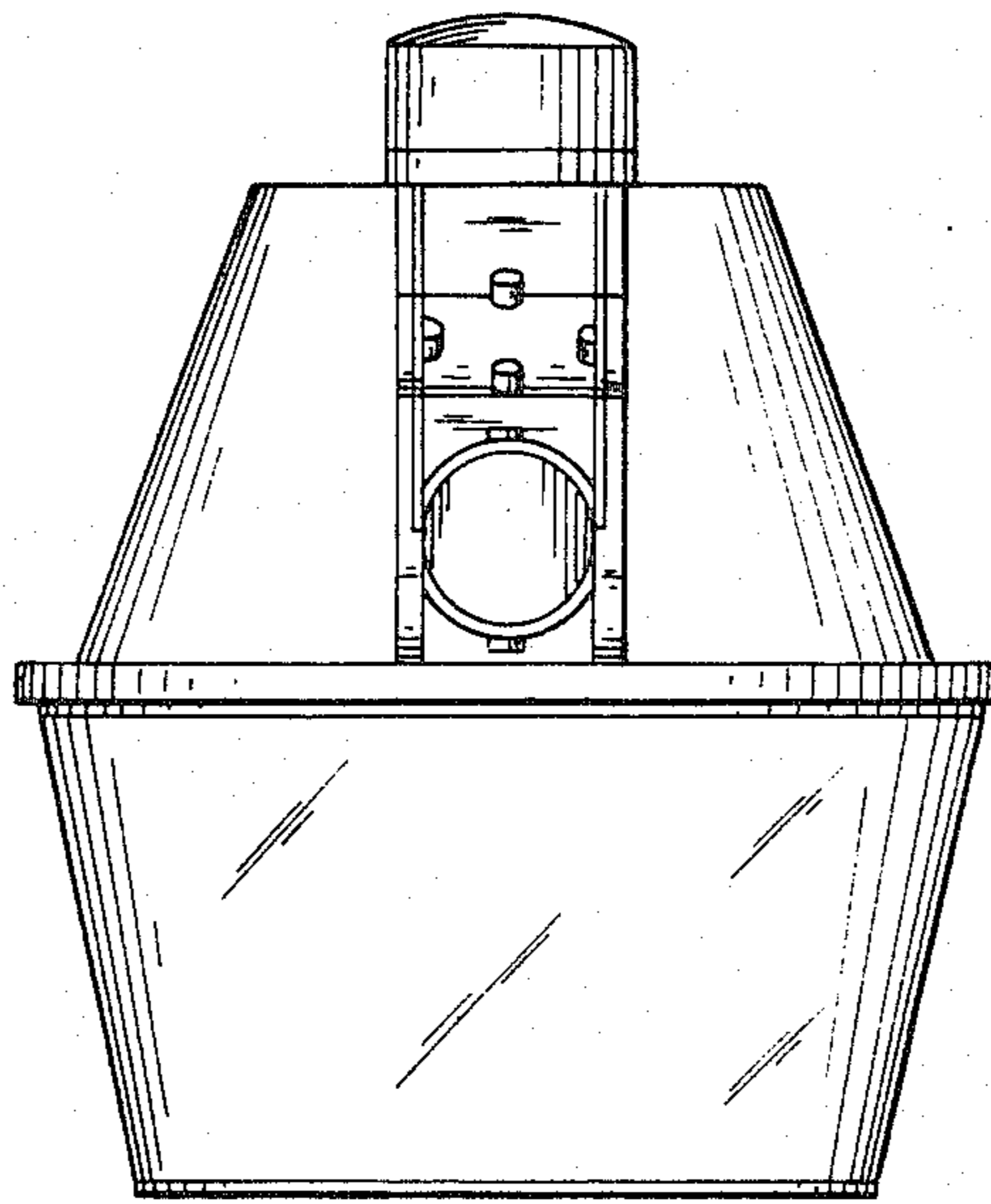


FIG. 5