

[54] **BABY BOTTLE HOLDER**

[75] Inventors: **Larry P. Heber; Blayde M. Penza,**
both of Vacaville, Calif.

[73] Assignee: **IDS Products, Inc.,** Vacaville, Calif.

[**] Term: **14 Years**

[21] Appl. No.: **392,855**

[22] Filed: **Jun. 28, 1982**

[52] U.S. Cl. **D24/48**

[58] Field of Search 248/102, 103, 104, 105,
248/106, 107; D24/47, 40

[56] **References Cited**

U.S. PATENT DOCUMENTS

| | | | | |
|------------|---------|----------|-------|-----------|
| D. 180,185 | 4/1957 | Griener | | D24/48 |
| 1,178,594 | 4/1916 | Nixon | | 248/103 |
| 3,082,985 | 3/1963 | Herdman | | 248/103 |
| 3,696,233 | 10/1972 | Pilsifer | | 248/103 X |

FOREIGN PATENT DOCUMENTS

1021754 11/1977 Canada 248/104

Primary Examiner—Kemper Catherine E.
Attorney, Agent, or Firm—Lothrop & West

[57] **CLAIM**

The ornamental design for a baby bottle holder, as shown and described.

DESCRIPTION

FIG. 1 is a top perspective view of a baby bottle holder, showing our new design;

FIG. 2 is an elevational view of one side, shown on a reduced scale, the opposite side being a mirror image thereof;

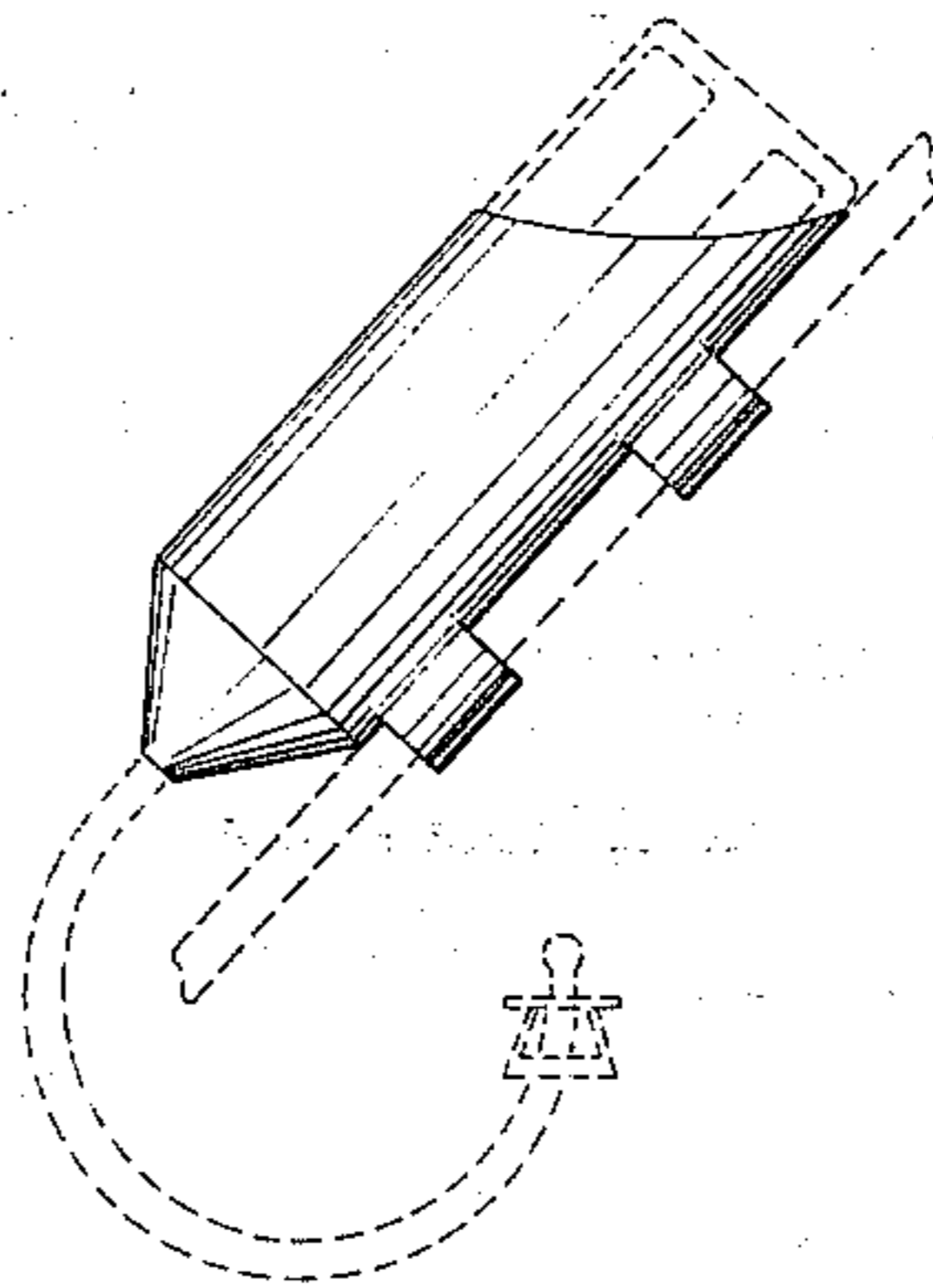
FIG. 3 is a front elevational view thereof;

FIG. 4 is a rear elevational view thereof;

FIG. 5 is a top plan view thereof; and

FIG. 6 is a bottom plan view thereof.

The broken line disclosure of a portion of a baby bottle, a flexible tube, a nipple and a stroller frame member in FIG. 2 is for illustrative purposes only and forms no part of the claimed design.



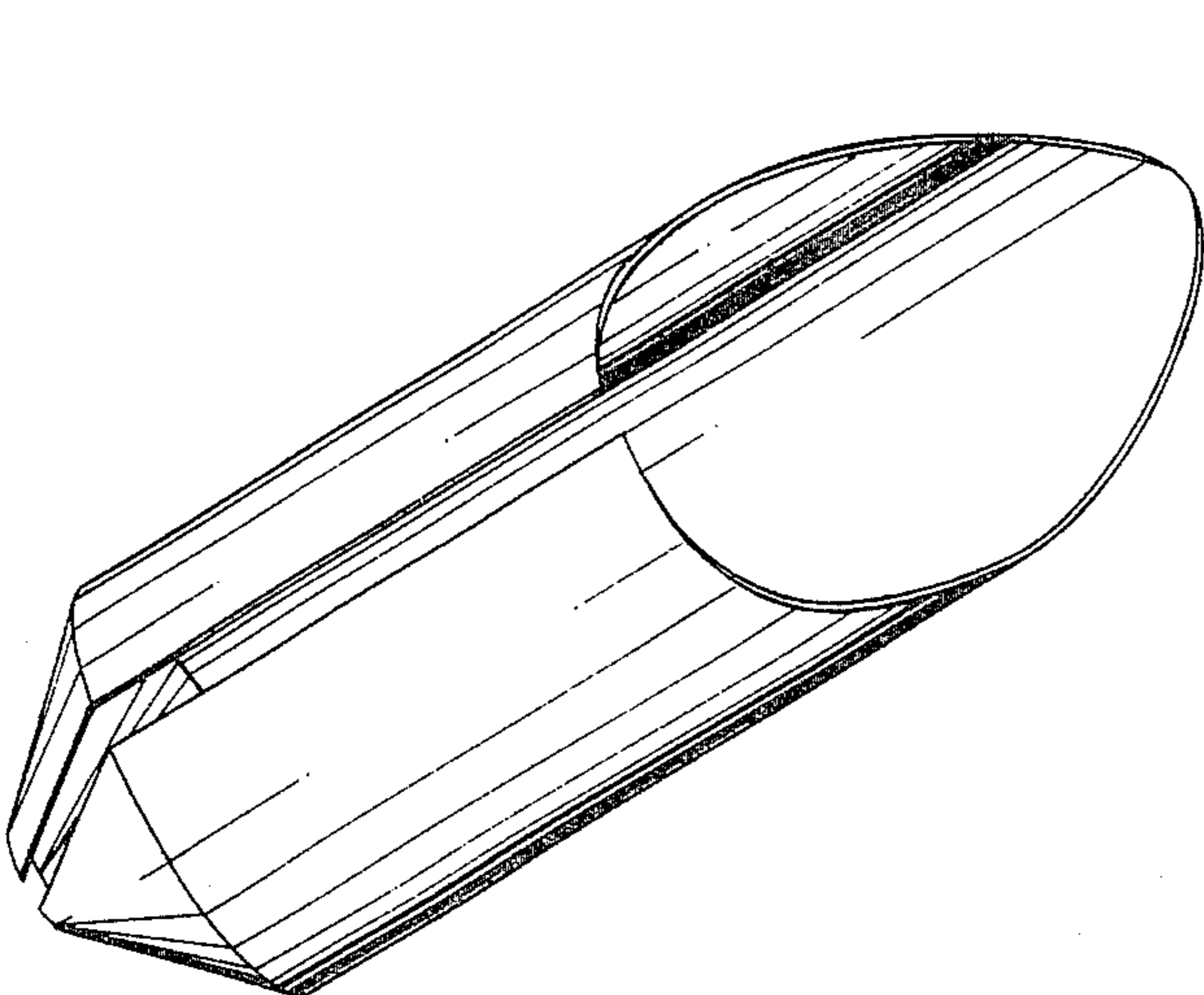


FIG-1

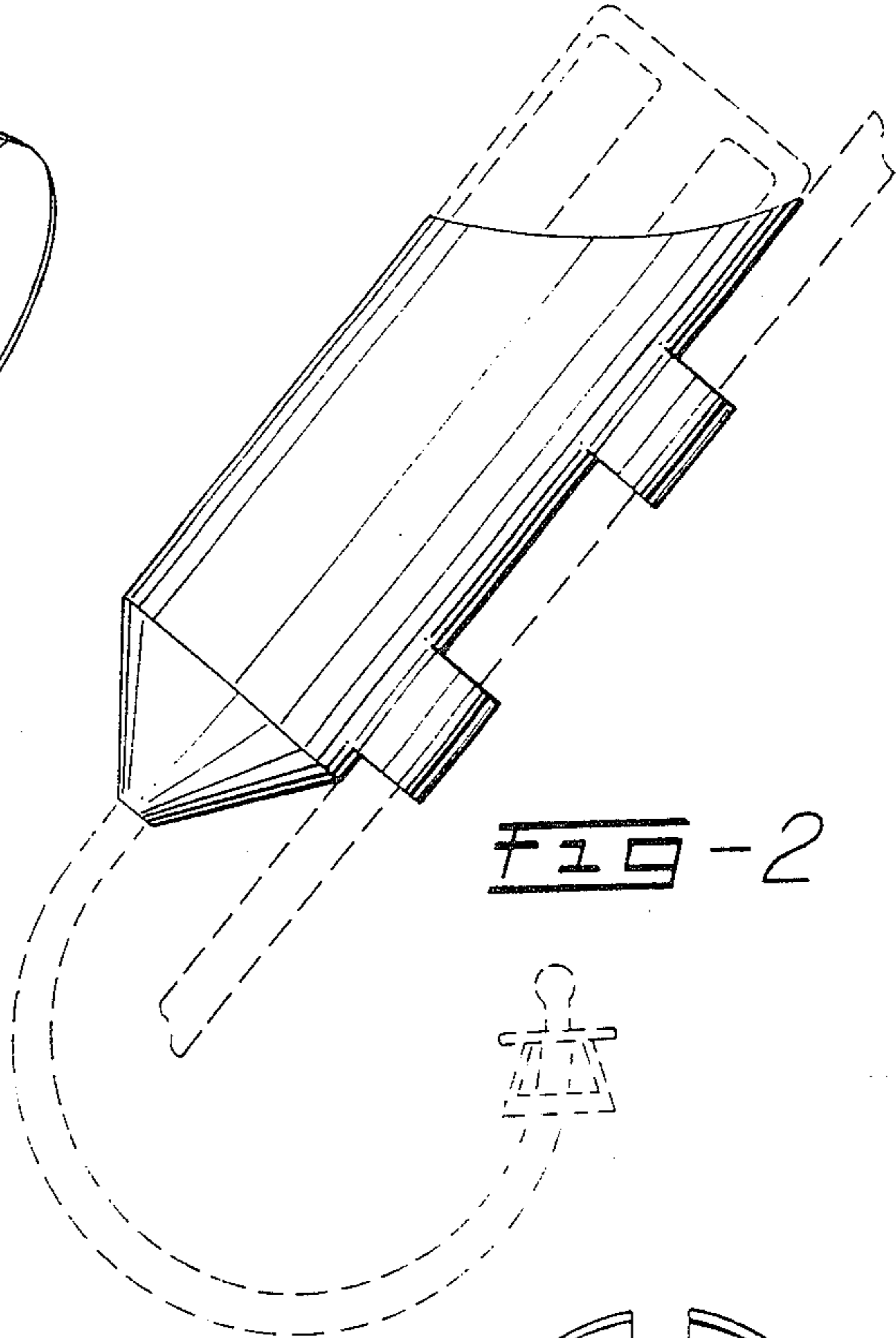


FIG-2

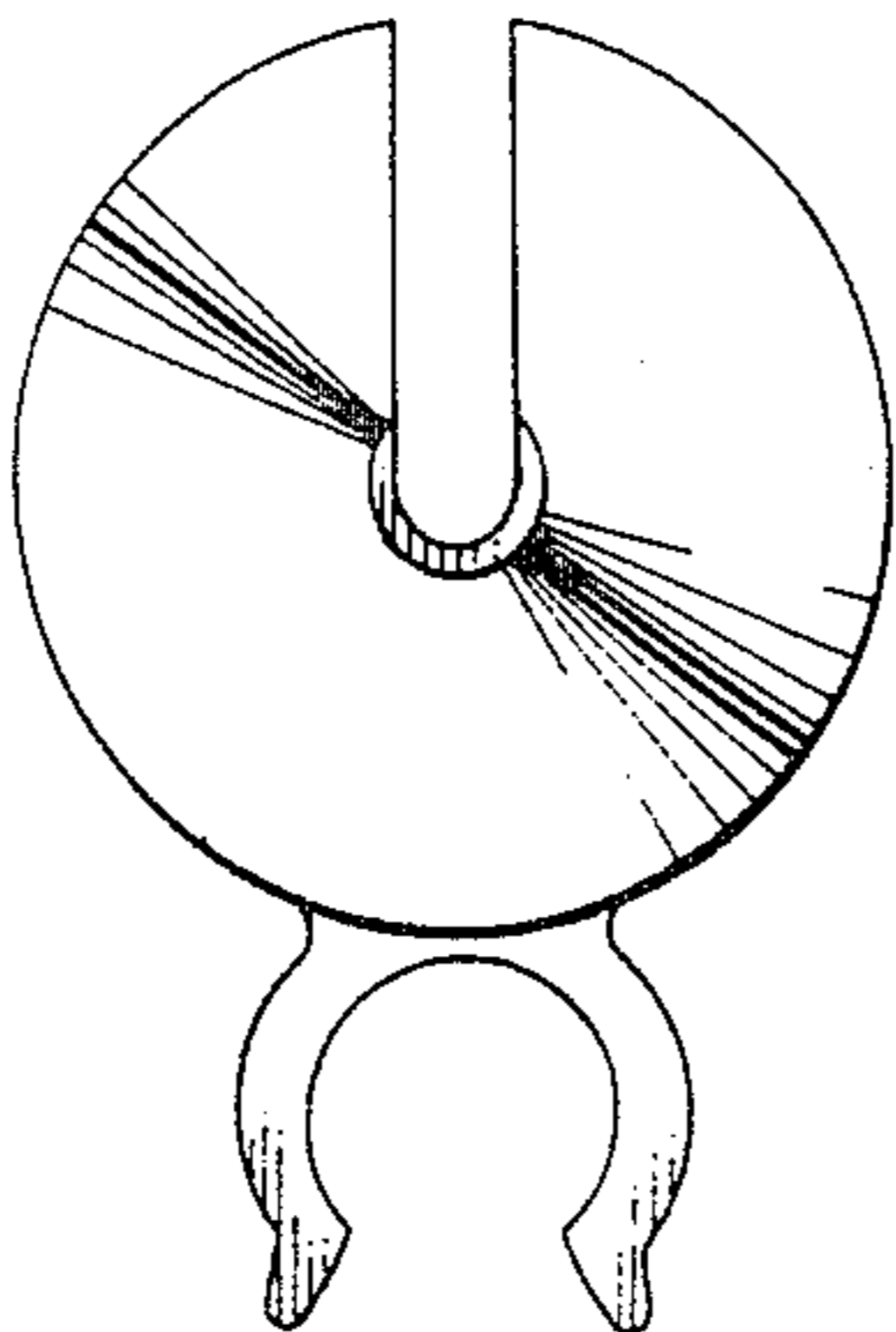


FIG-3

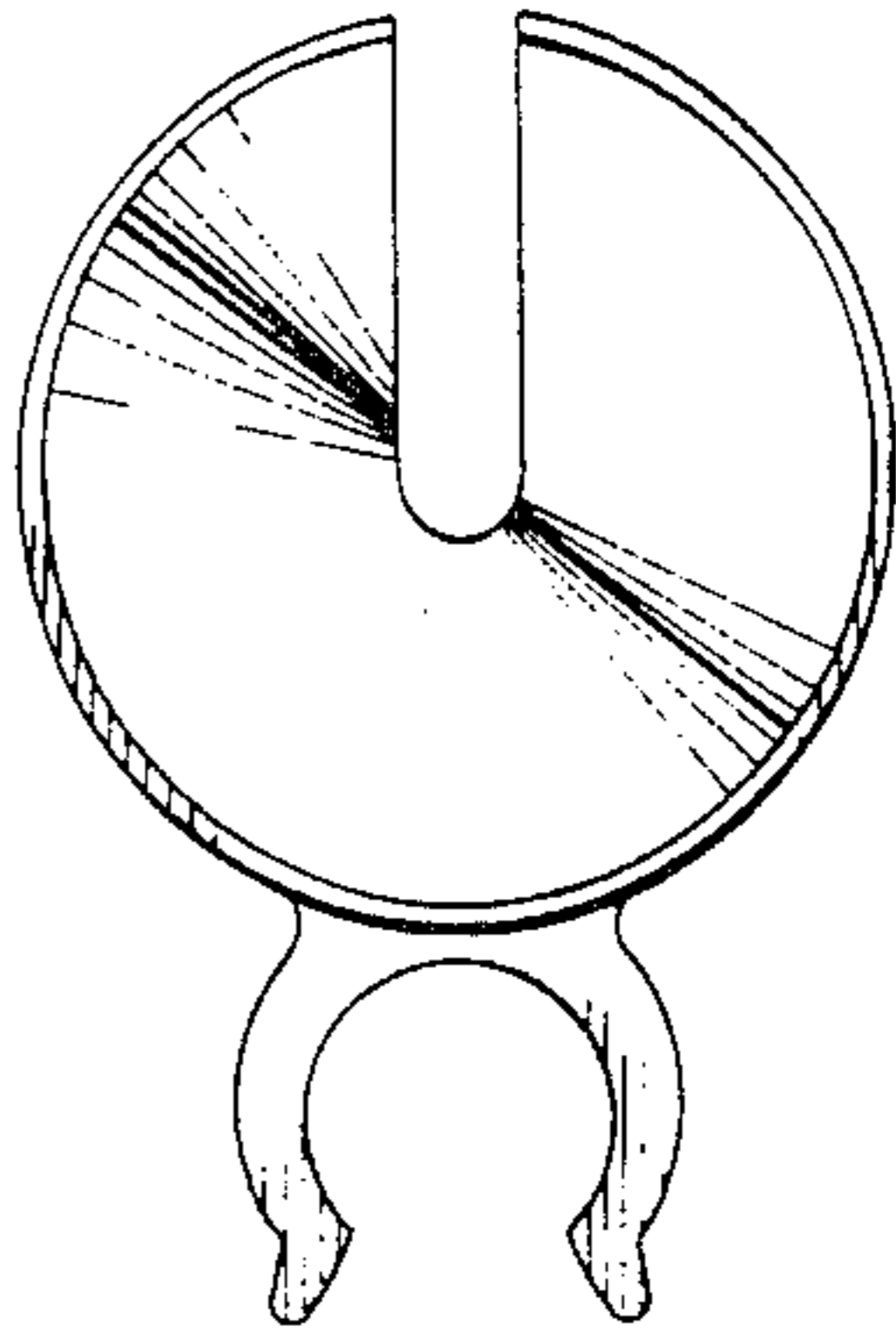


FIG-4

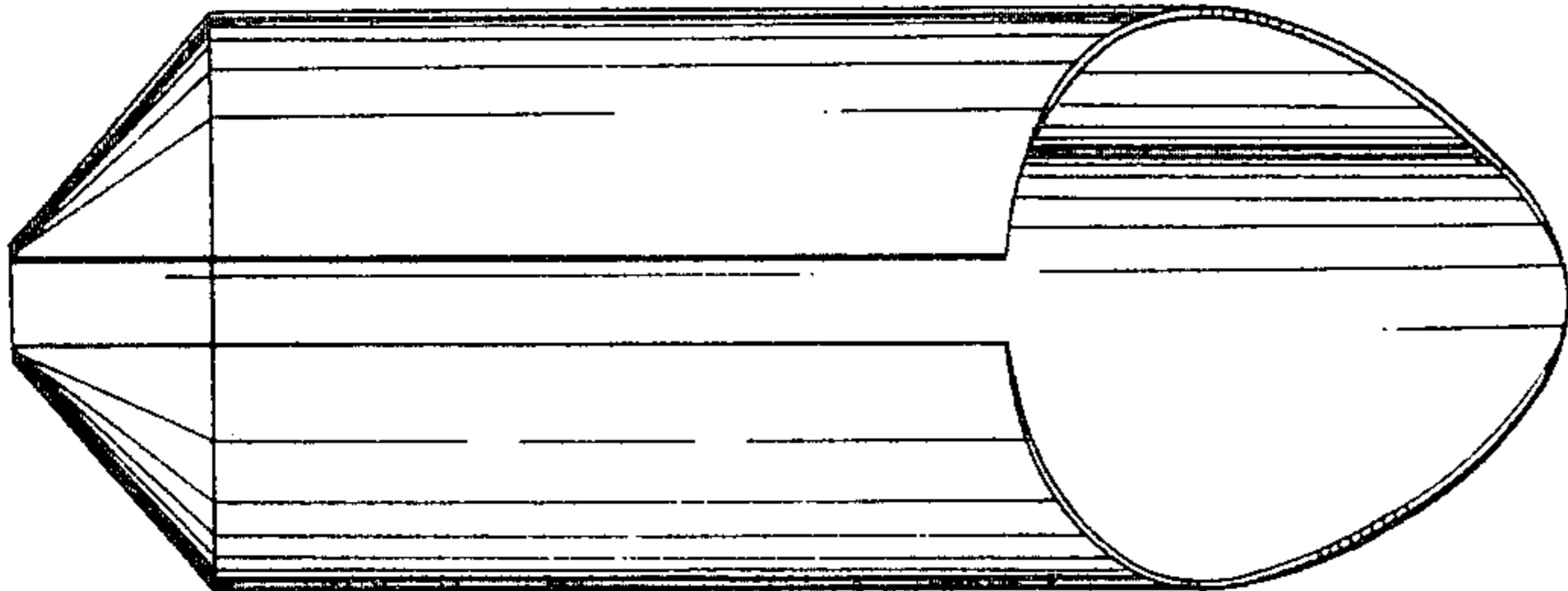


FIG-5

FIG-6

