

[54] FISHING REEL

[75] Inventors: Masakazu Sakamoto; Takeshi Shohoji, both of Funabashi, Japan

[73] Assignee: Ryobi Limited, Fuchu, Japan

[\*\*] Term: 14 Years

[21] Appl. No.: 571,706

[22] Filed: Jan. 18, 1984

Related U.S. Application Data

[62] Division of Ser. No. 340,055, Jan. 18, 1982.

[30] Foreign Application Priority Data

Jul. 31, 1981 [JP] Japan ..... 56-34181

Jul. 31, 1981 [JP] Japan ..... 56-34182

Sep. 1, 1981 [JP] Japan ..... 56-38807

[52] U.S. Cl. .... D22/25

[58] Field of Search ..... D22/25; 242/84.2 R, 242/84.2 A

[56] References Cited

U.S. PATENT DOCUMENTS

D. 246,662	12/1977	Okada .....	D22/25
D. 256,493	8/1980	Okada .....	D22/25
3,327,373	7/1967	Wood, Jr. ....	242/84.2 R
3,814,349	6/1974	Menne .....	242/84.2 A X
3,877,658	4/1975	Lemery .....	242/84.2 A

Primary Examiner—A. Hugo Word  
Attorney, Agent, or Firm—Frishauf, Holtz, Goodman and Woodward

[57] CLAIM

The ornamental design for a fishing reel, as shown.

DESCRIPTION

FIG. 1 is a left side elevational view of a fishing reel showing my new design;

FIG. 2 is a right side elevational view thereof;

FIG. 3 is a front elevational view thereof;

FIG. 4 is a rear elevational view thereof;

FIG. 5 is a top plan view thereof;

FIG. 6 is a bottom plan view thereof;

FIG. 7 is a front-right side perspective view thereof; and

FIG. 8 is a bottom-left side perspective view thereof.

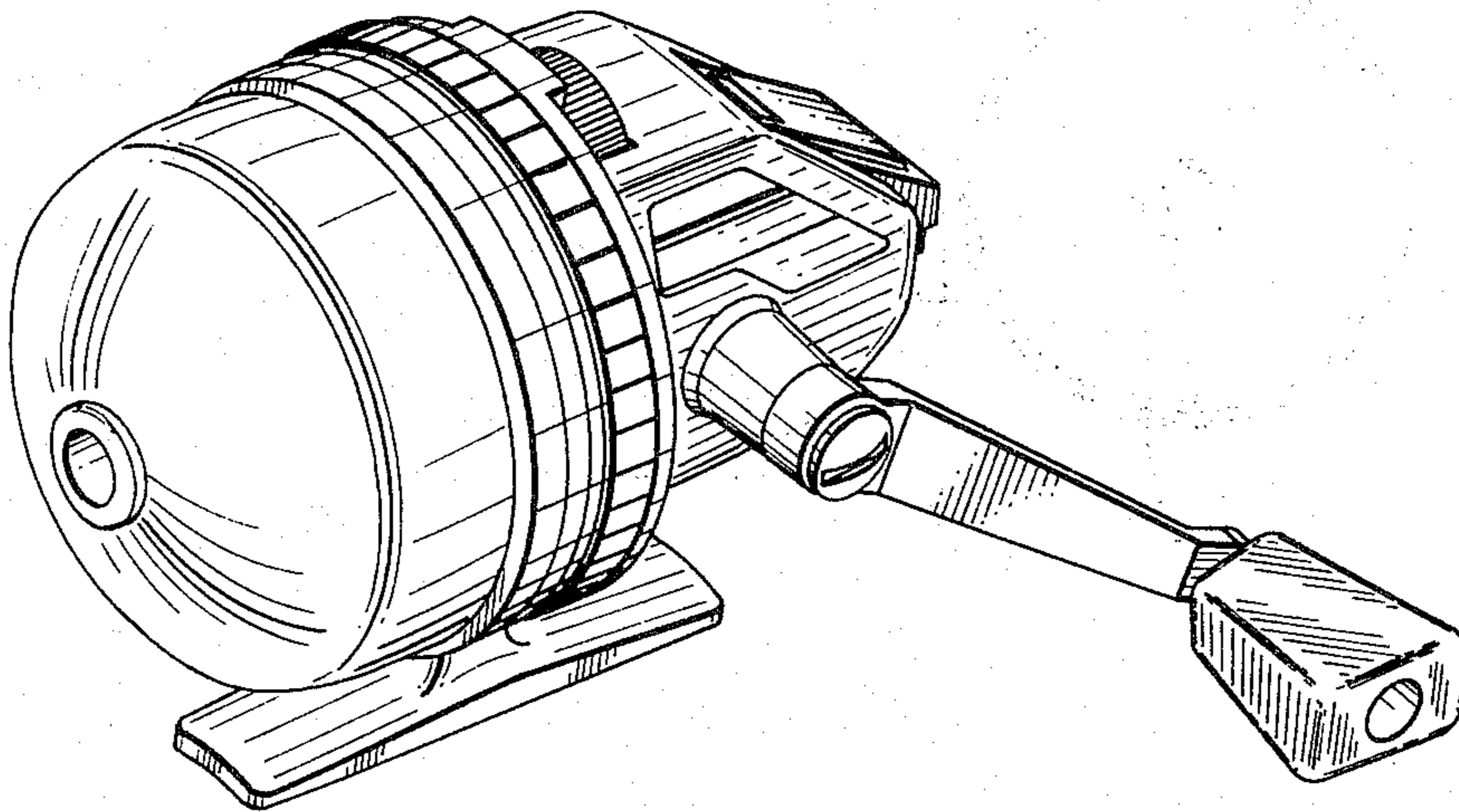


FIG. 1

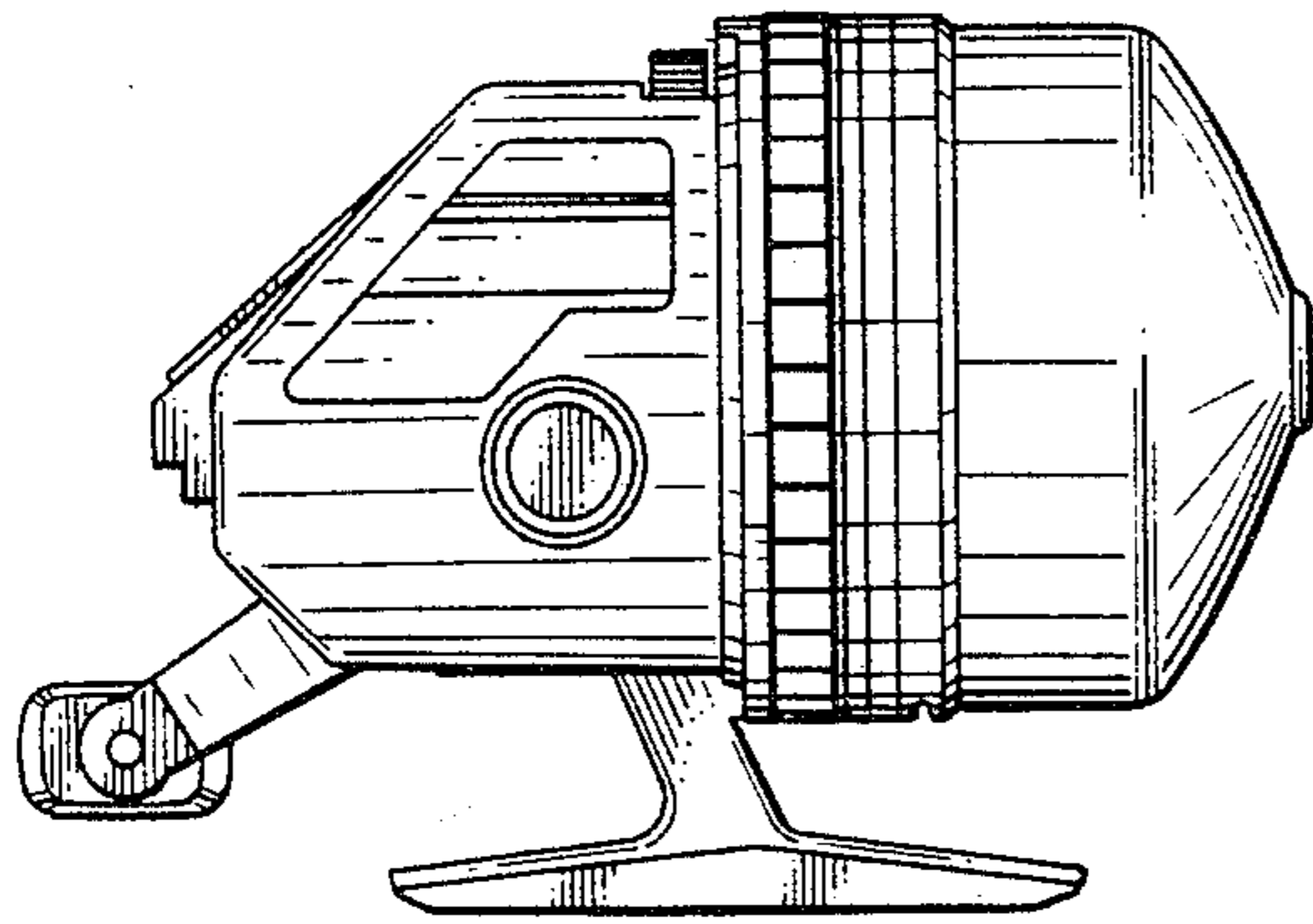


FIG. 2

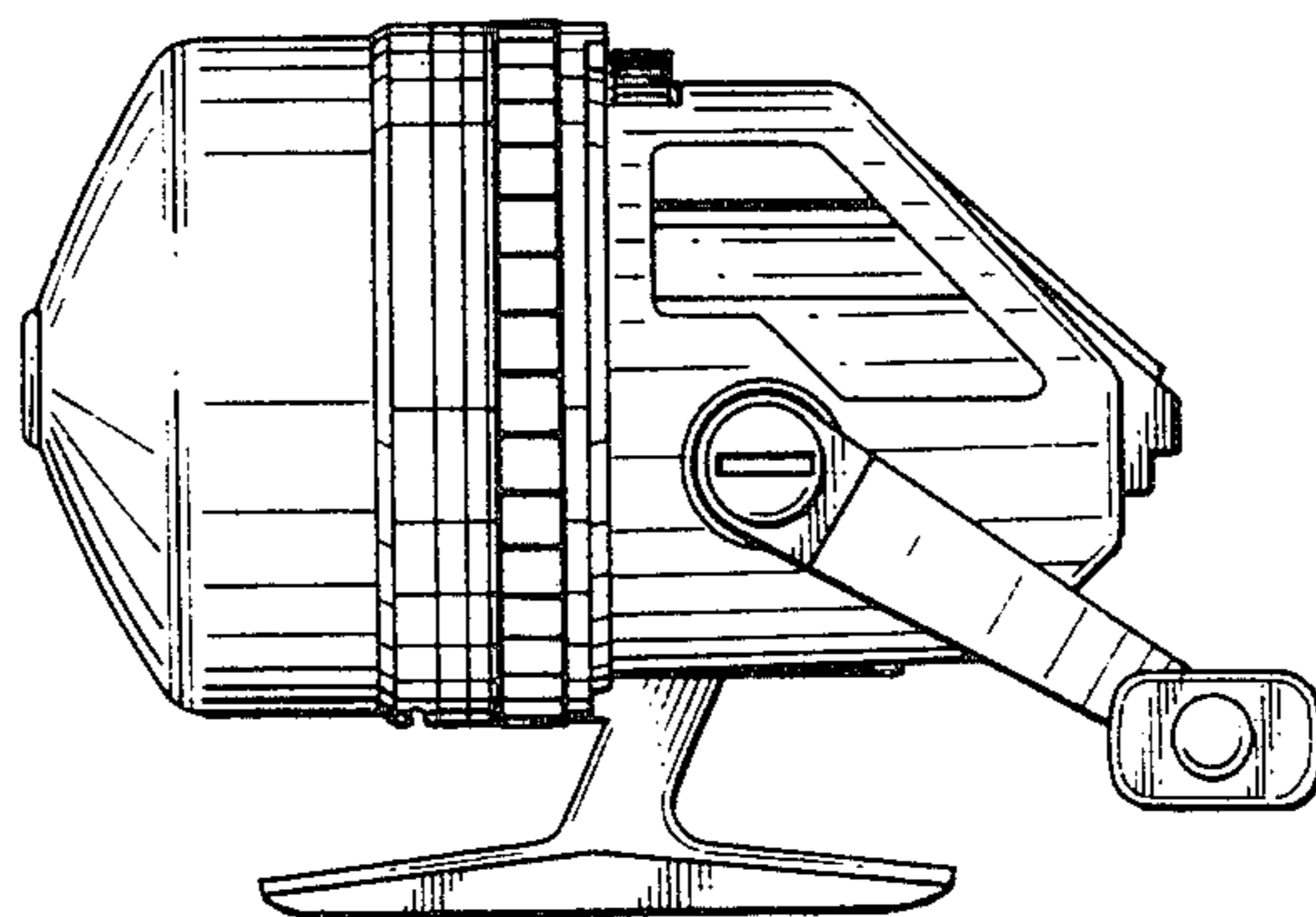


FIG. 3

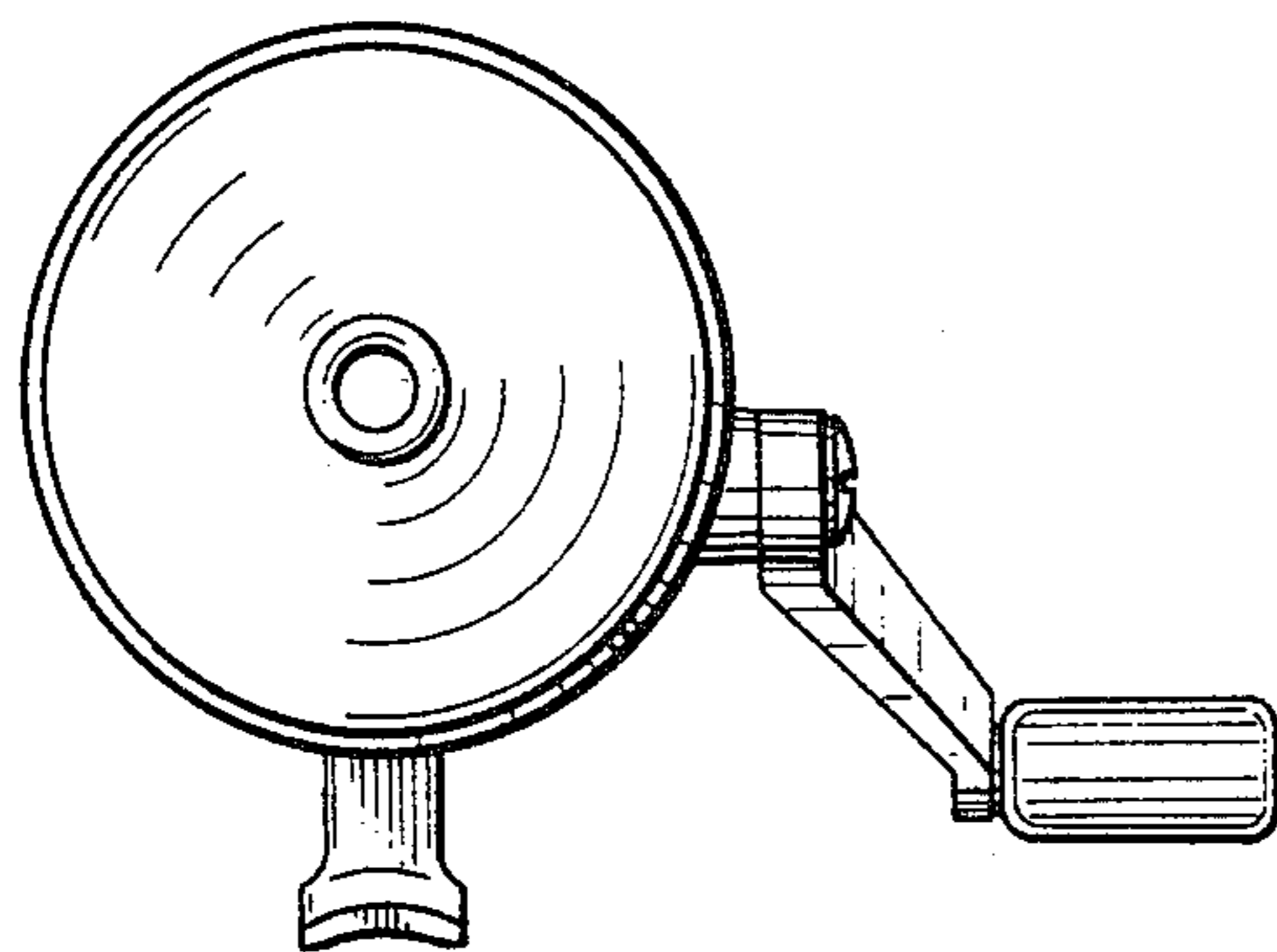


FIG. 4

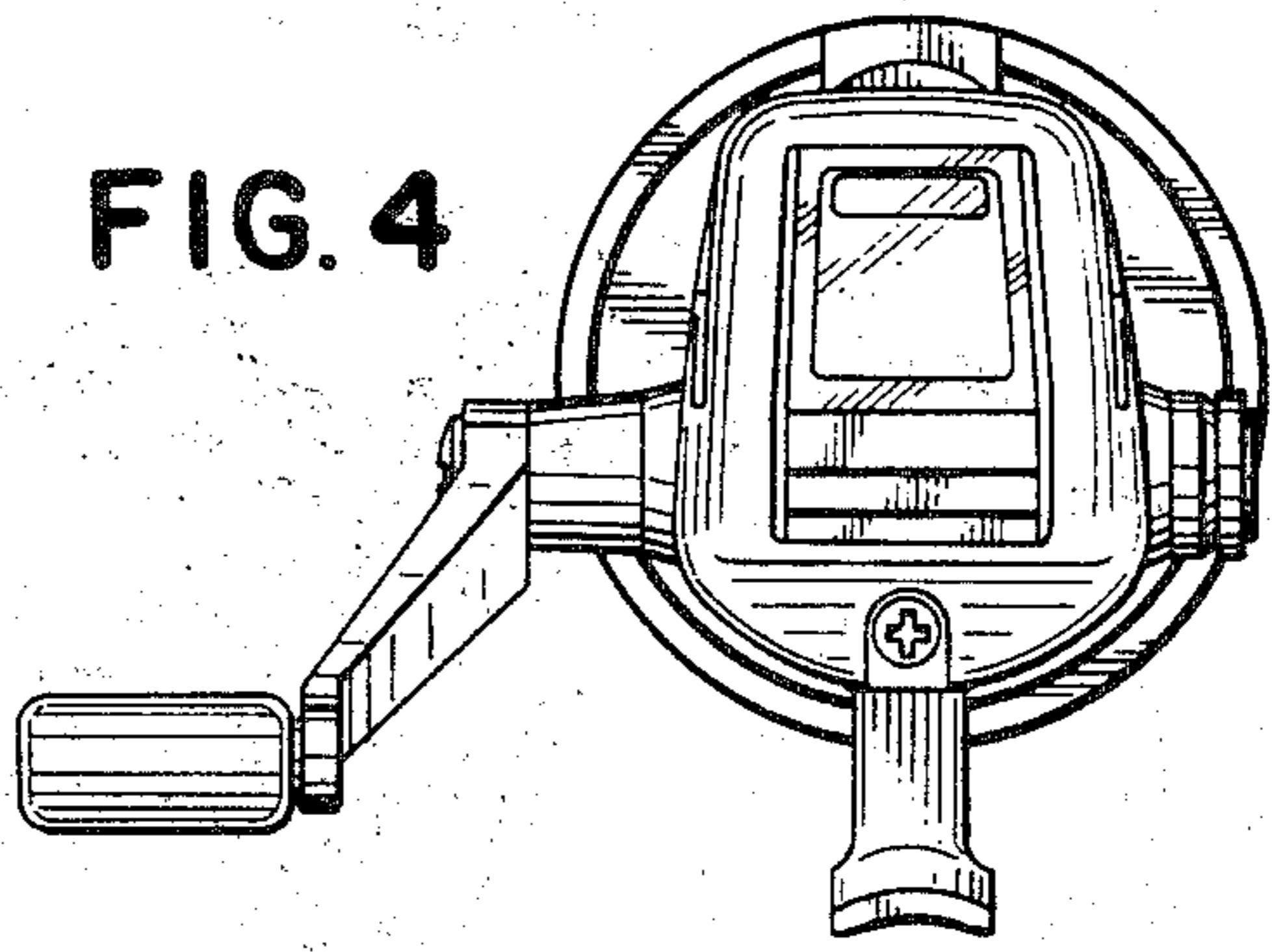


FIG. 5

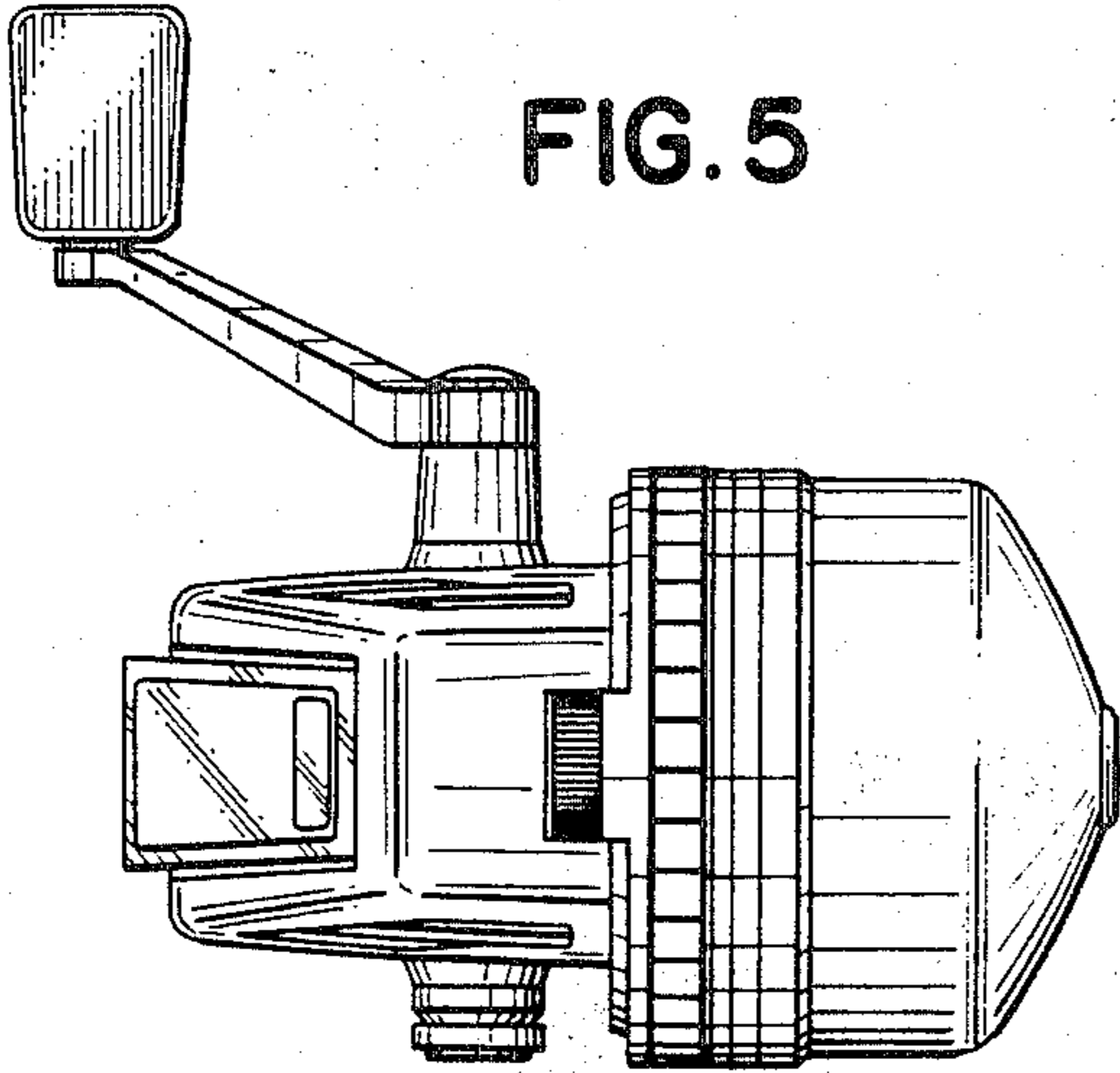


FIG. 6

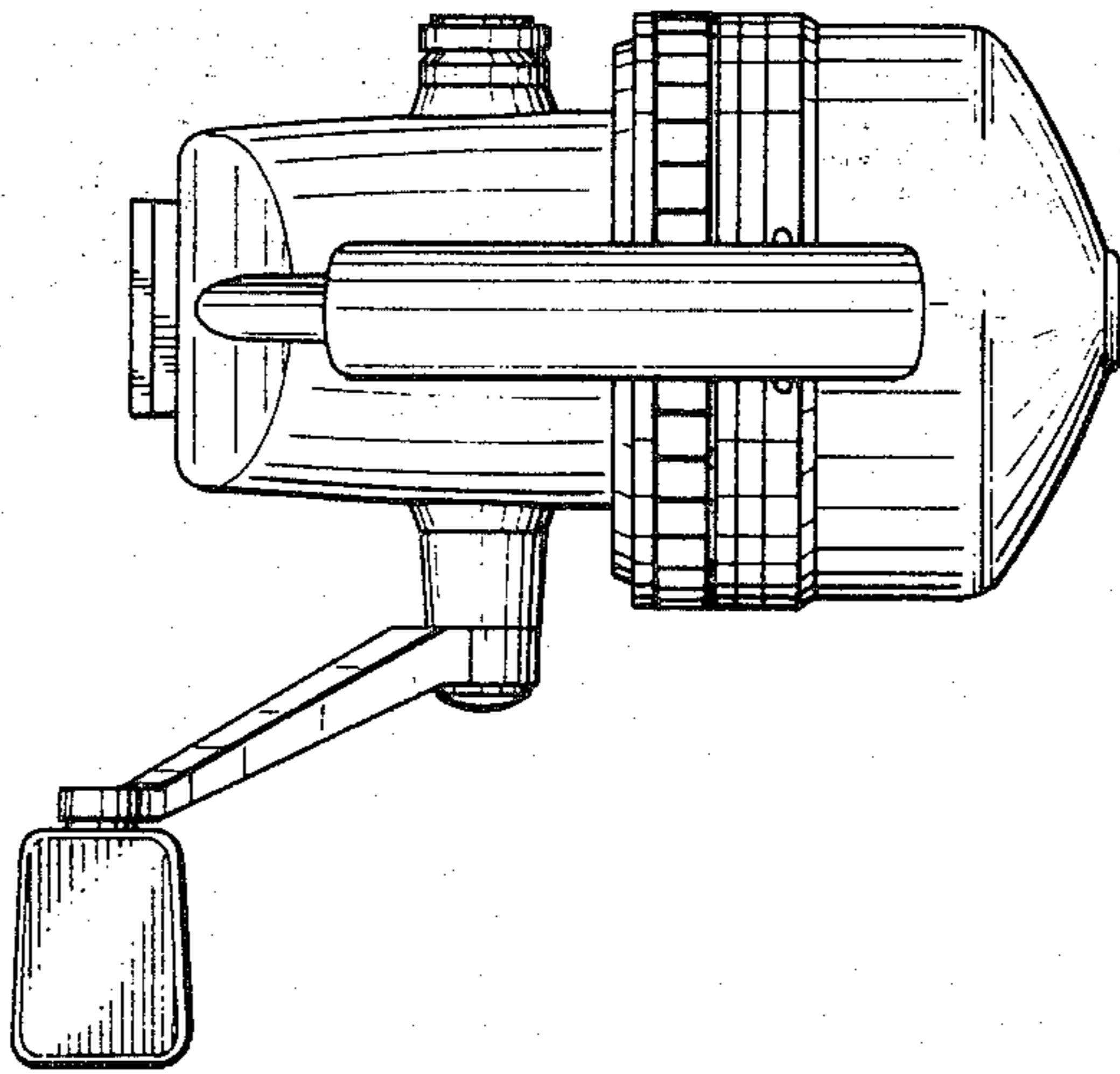


FIG. 7

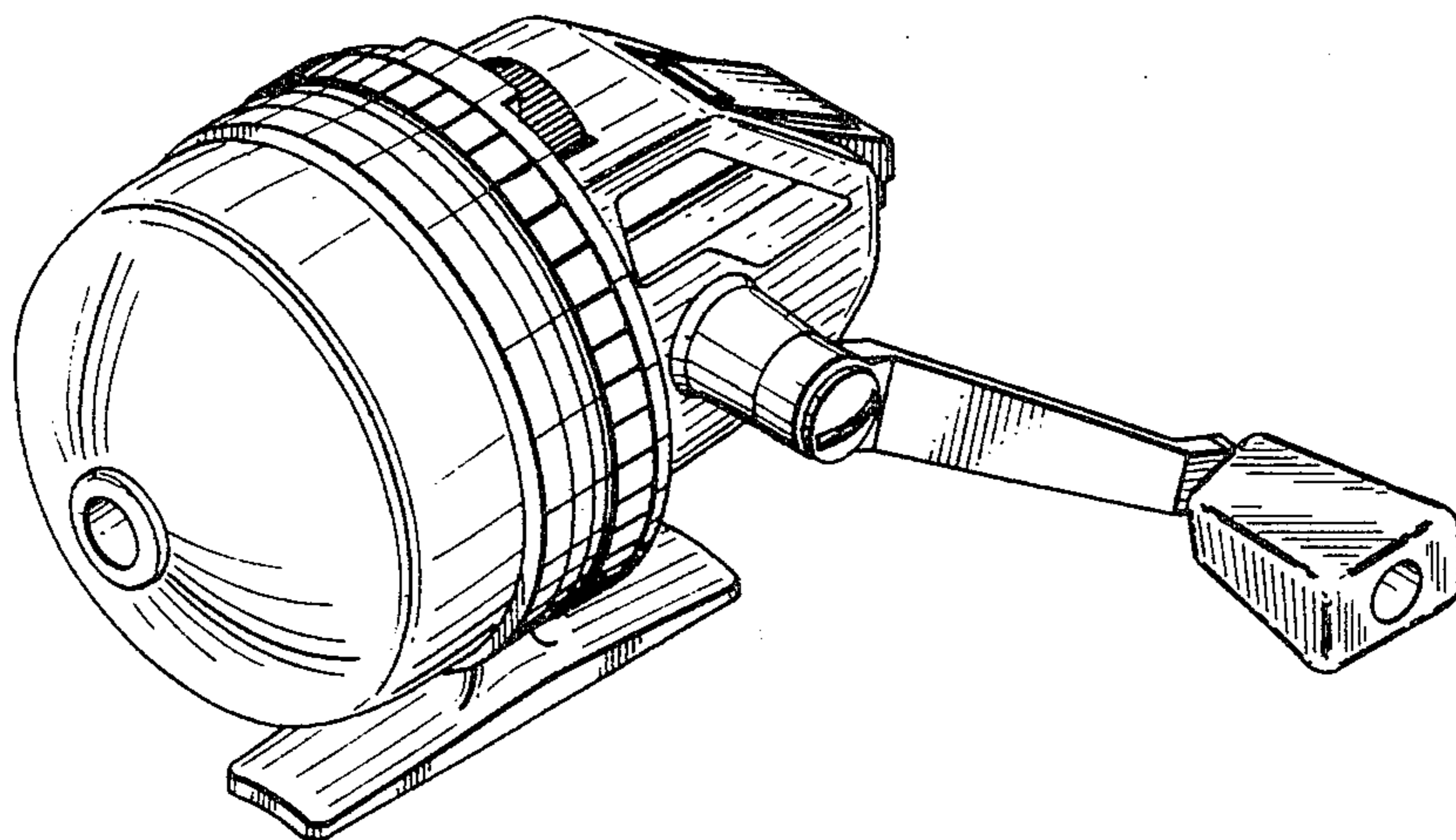


FIG. 8

