

[54] **TOY FIRE TRUCK**

[75] **Inventor: Kenneth R. Wilkes, East Aurora, N.Y.**

[73] **Assignee: The Quaker Oats Company, Chicago, Ill.**

[\*\*] **Term: 14 Years**

[21] **Appl. No.: 459,774**

[22] **Filed: Jan. 21, 1983**

[52] **U.S. Cl. .... D21/133**

[58] **Field of Search ..... D21/76, 78, 79, 80, D21/128, 132, 133, 134, 135, 136, 137, 140, 446/431, 432, 436, 448, 449, 451, 460, 465**

[56] **References Cited**

**U.S. PATENT DOCUMENTS**

D. 257,049	9/1980	Okado .....	D21/134
D. 258,457	3/1981	Pape .....	D21/133
D. 263,977	4/1982	Breneman .....	D21/134
D. 272,928	3/1984	Fisher .....	D21/133

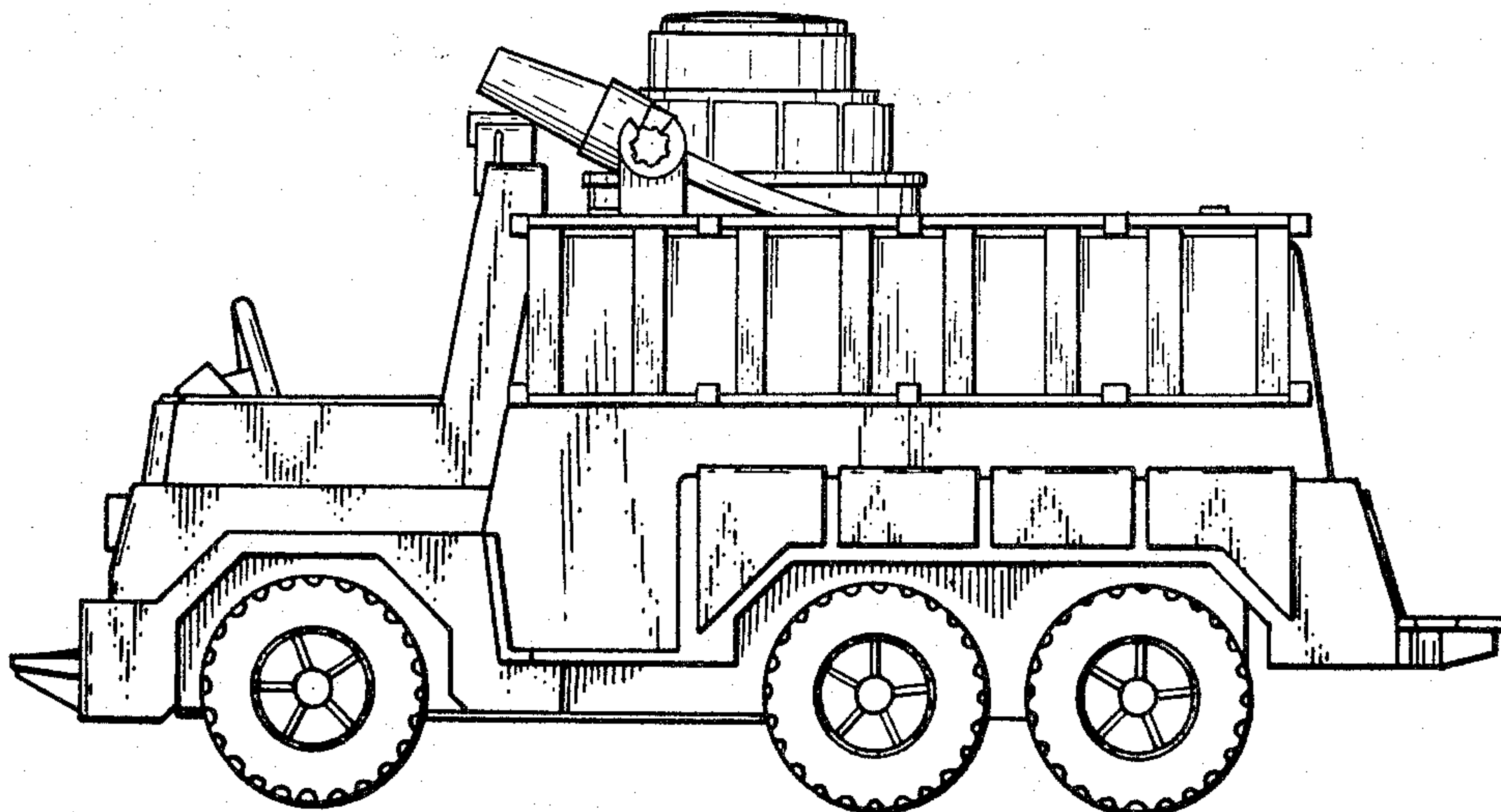
*Primary Examiner*—Charles A. Rademaker  
*Attorney, Agent, or Firm*—Cumpston & Shaw

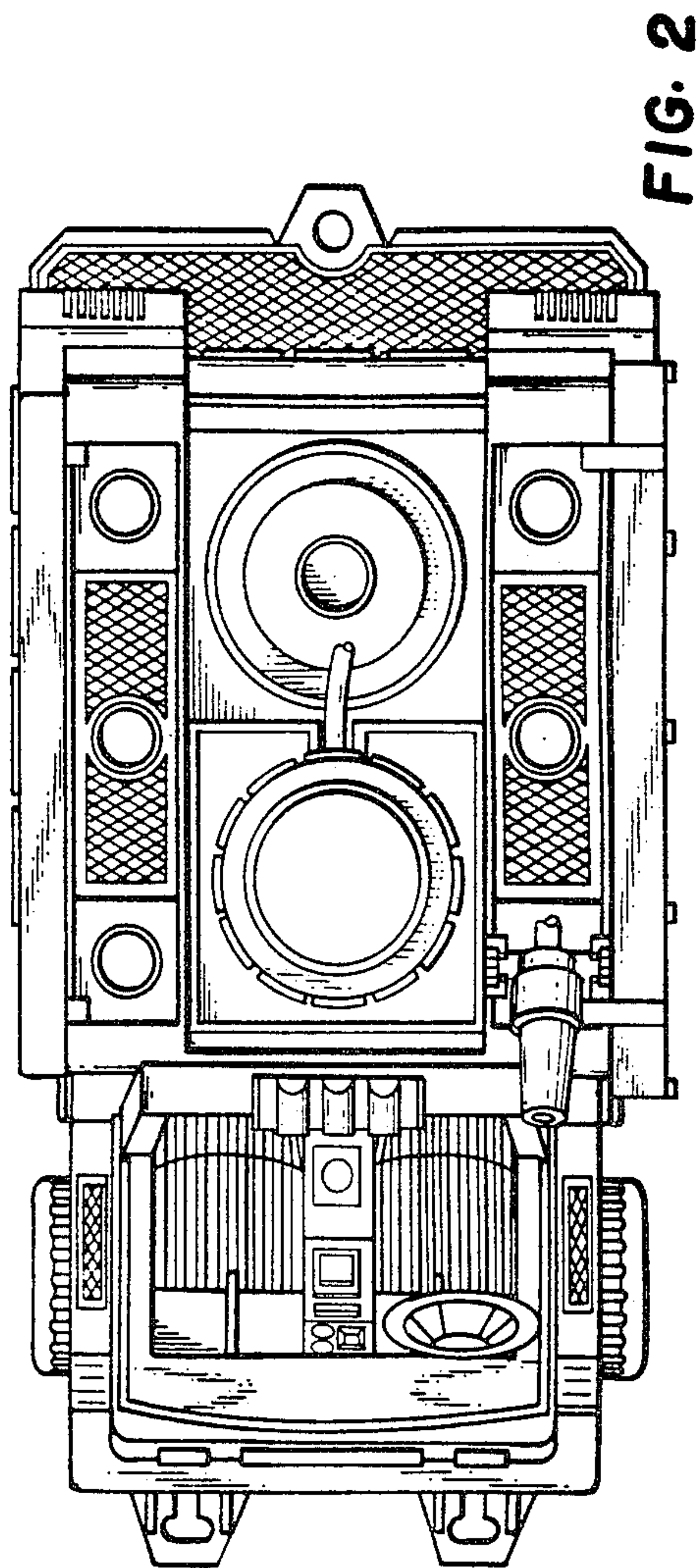
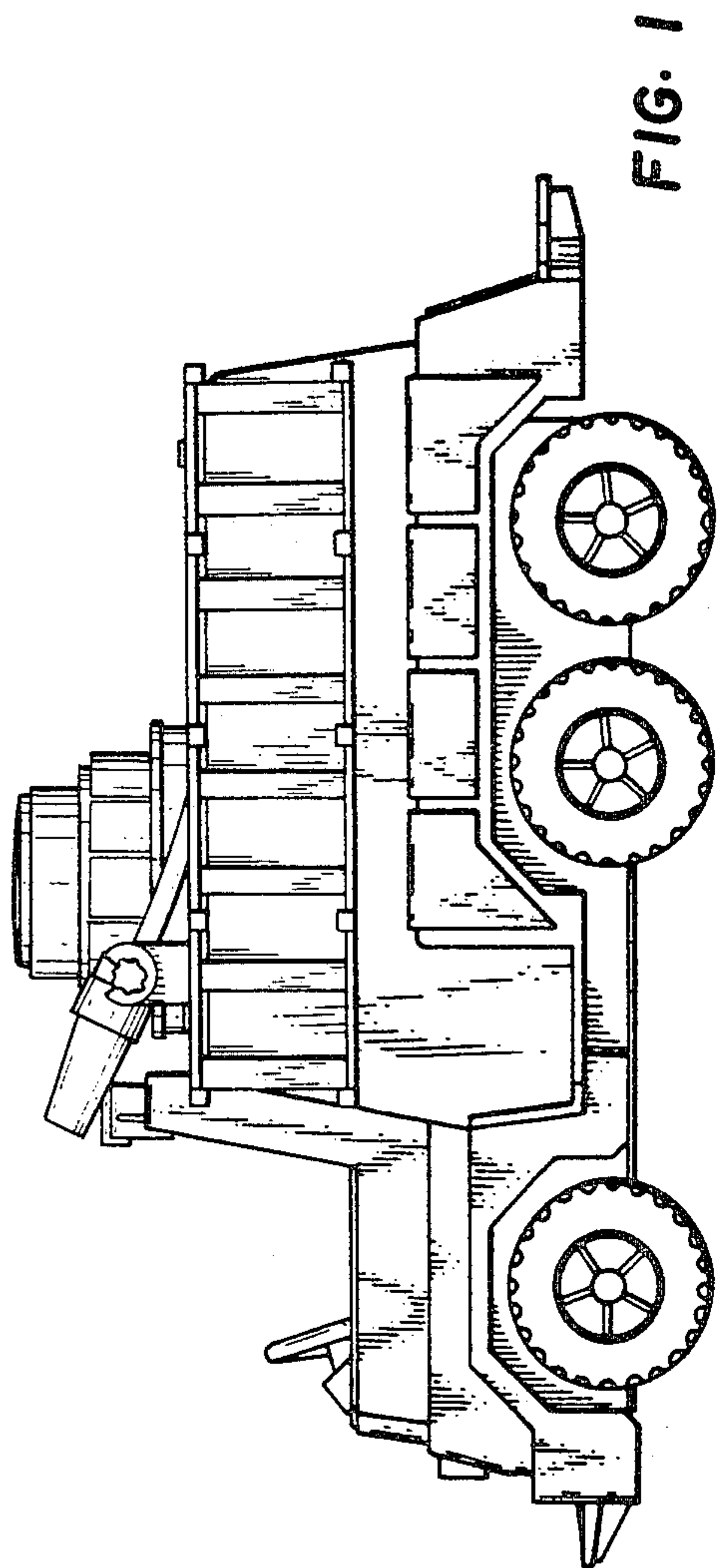
[57] **CLAIM**

The ornamental design for a toy fire truck, substantially as shown and described.

**DESCRIPTION**

FIG. 1 is a left-side elevational view of a toy fire truck showing my new design;  
FIG. 2 is a top plan view thereof;  
FIG. 3 is a front elevational view thereof;  
FIG. 4 is a rear elevational view thereof;  
FIG. 5 is a bottom plan view thereof; and  
FIG. 6 is a right-side elevational view thereof.





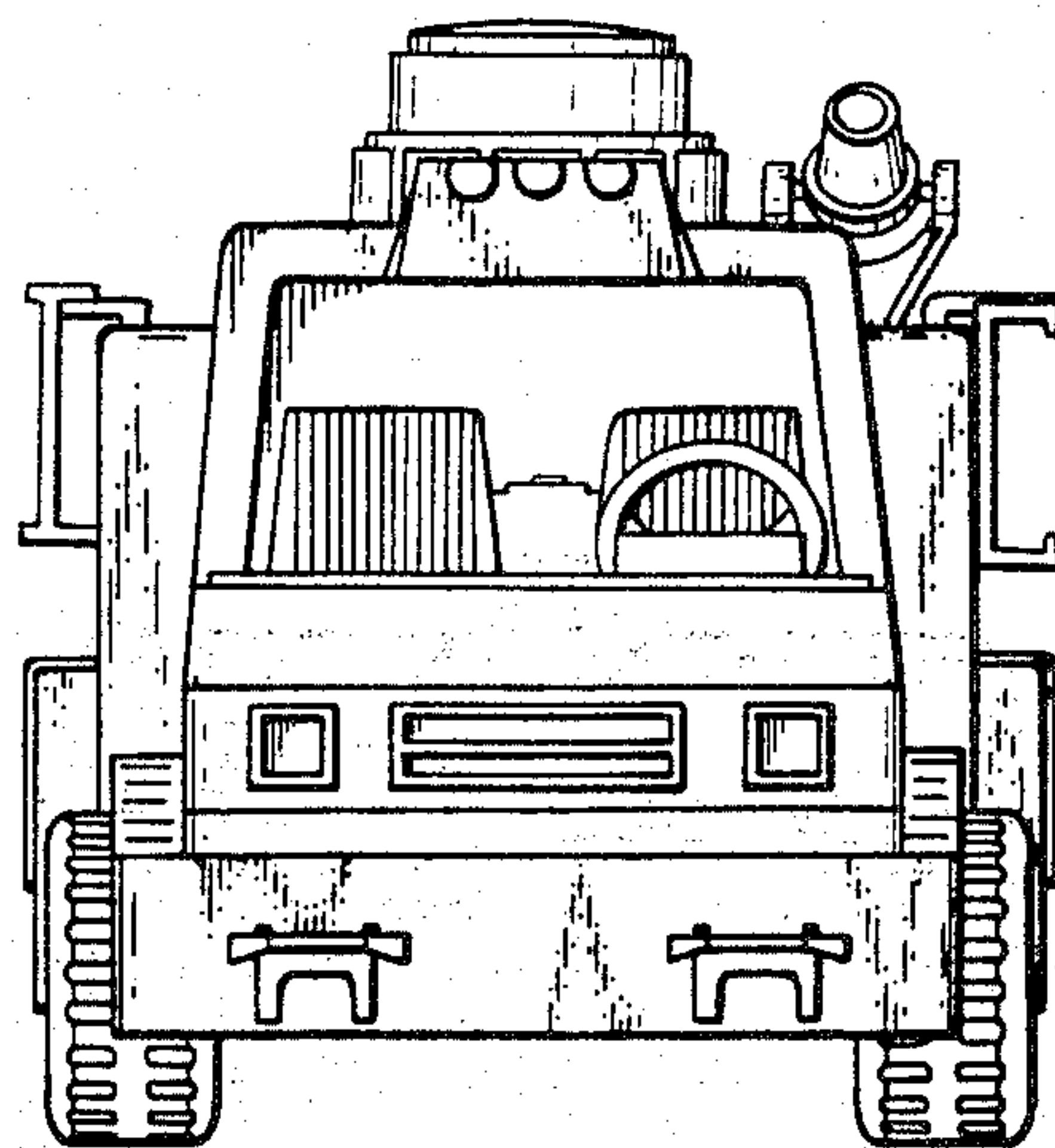


FIG. 3

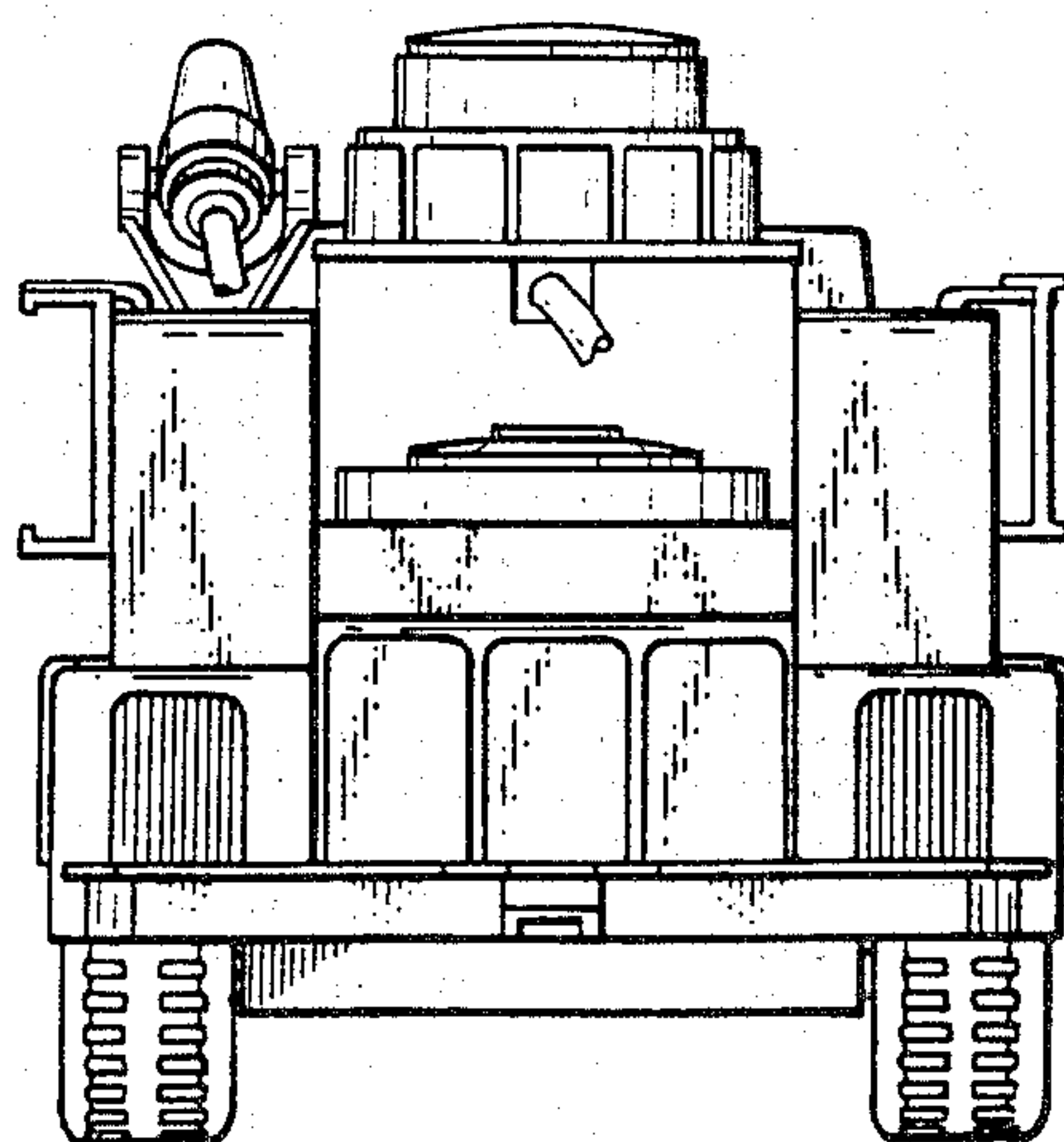


FIG. 4

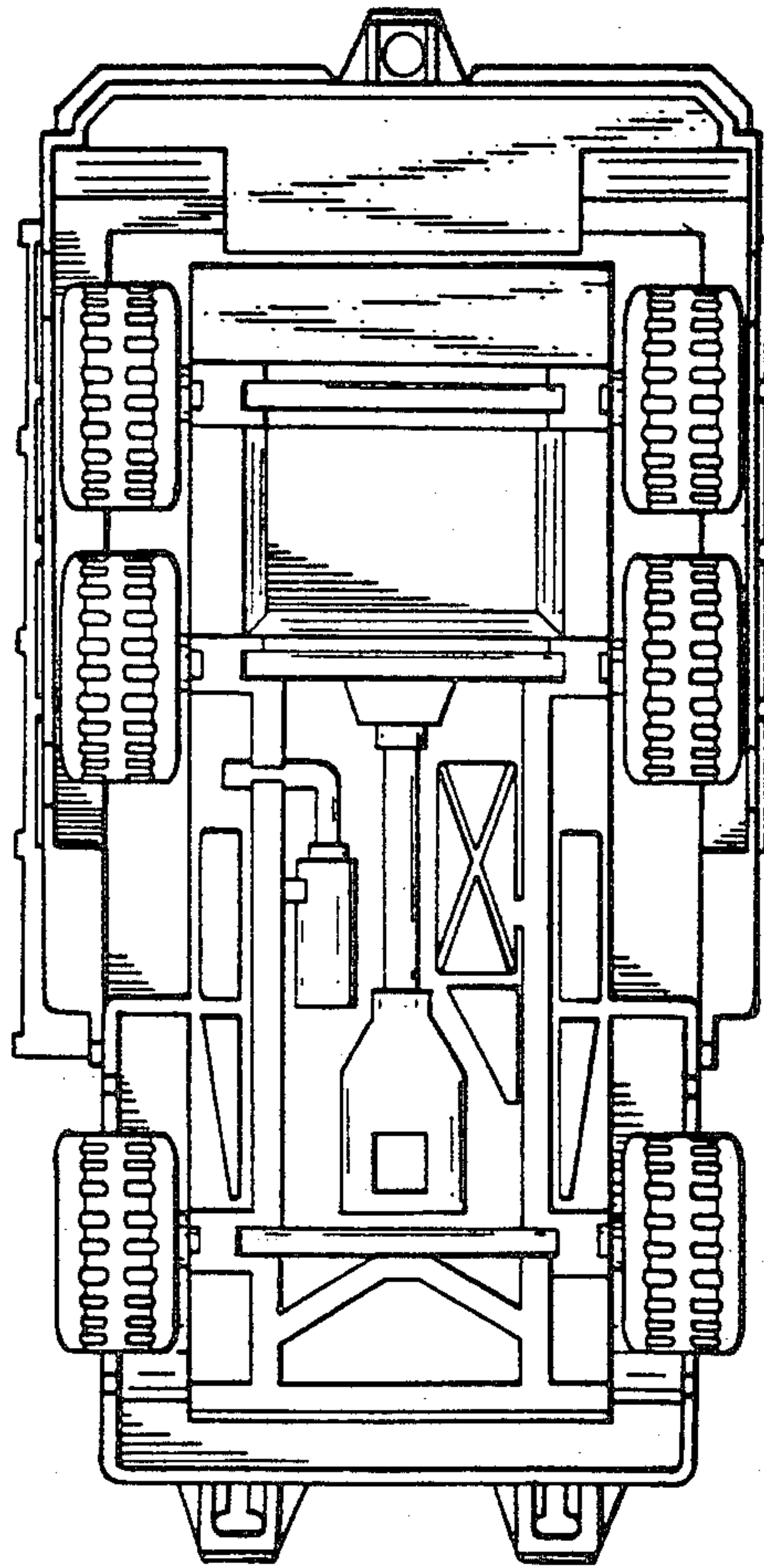


FIG. 5



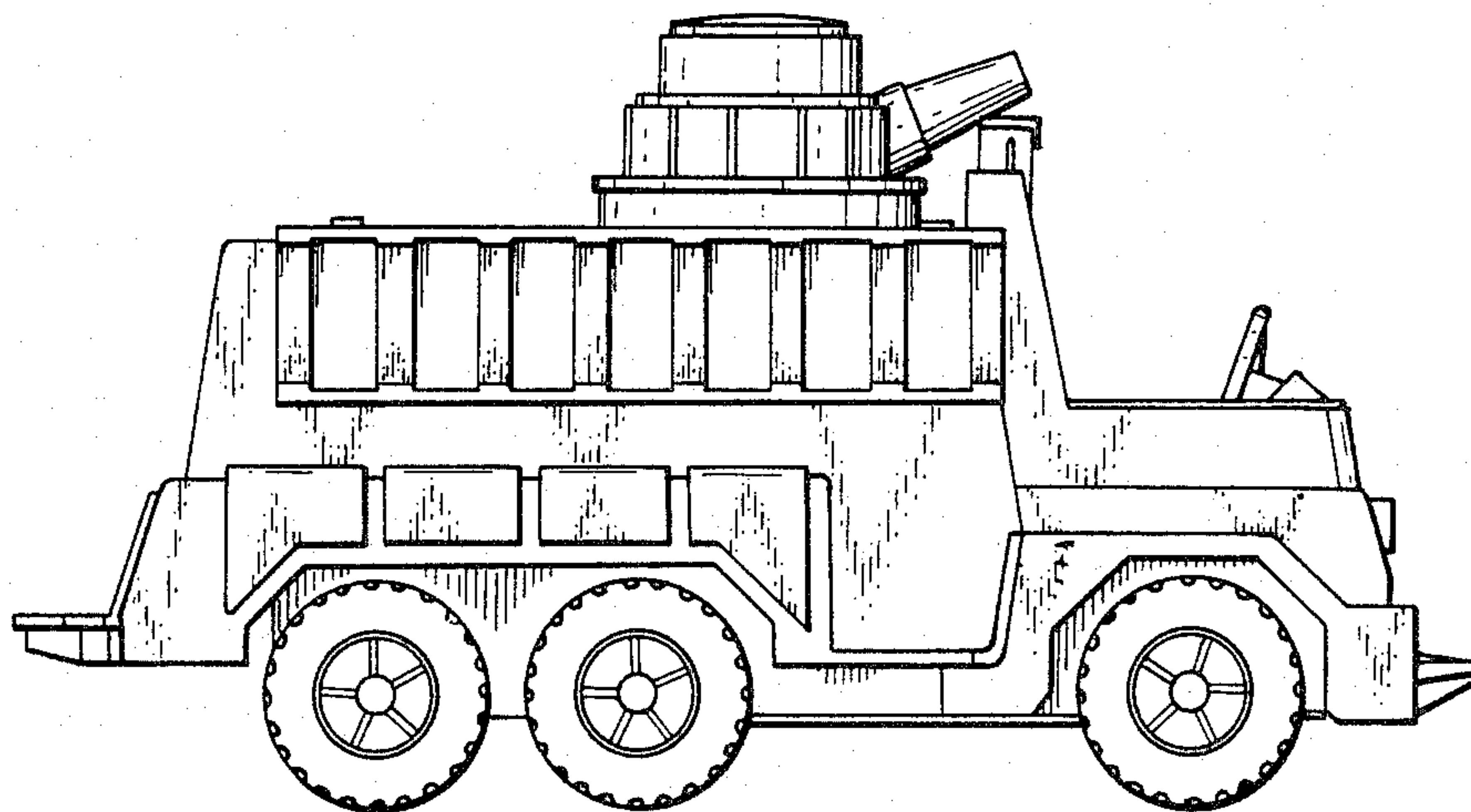


FIG. 6