

[54] **TOY TRUCK**

[75] **Inventor: Gordon Cutler, East Aurora, N.Y.**

[73] **Assignee: The Quaker Oats Company, Chicago, Ill.**

[**] **Term: 14 Years**

[21] **Appl. No.: 461,582**

[22] **Filed: Jan. 27, 1983**

[52] **U.S. Cl. D21/128**

[58] **Field of Search D21/76, 78, 79, 80, D21/128, 132, 133, 134, 135, 136, 137, 140; 446/431, 432, 436, 448, 449, 451, 460, 465**

[56] **References Cited**

U.S. PATENT DOCUMENTS

D. 117,554	11/1939	Bojesen	D21/141
D. 241,566	9/1976	Roberts et al.	D21/140
D. 253,183	10/1979	Peterson	D21/132
D. 258,973	4/1981	Samuels	D21/133

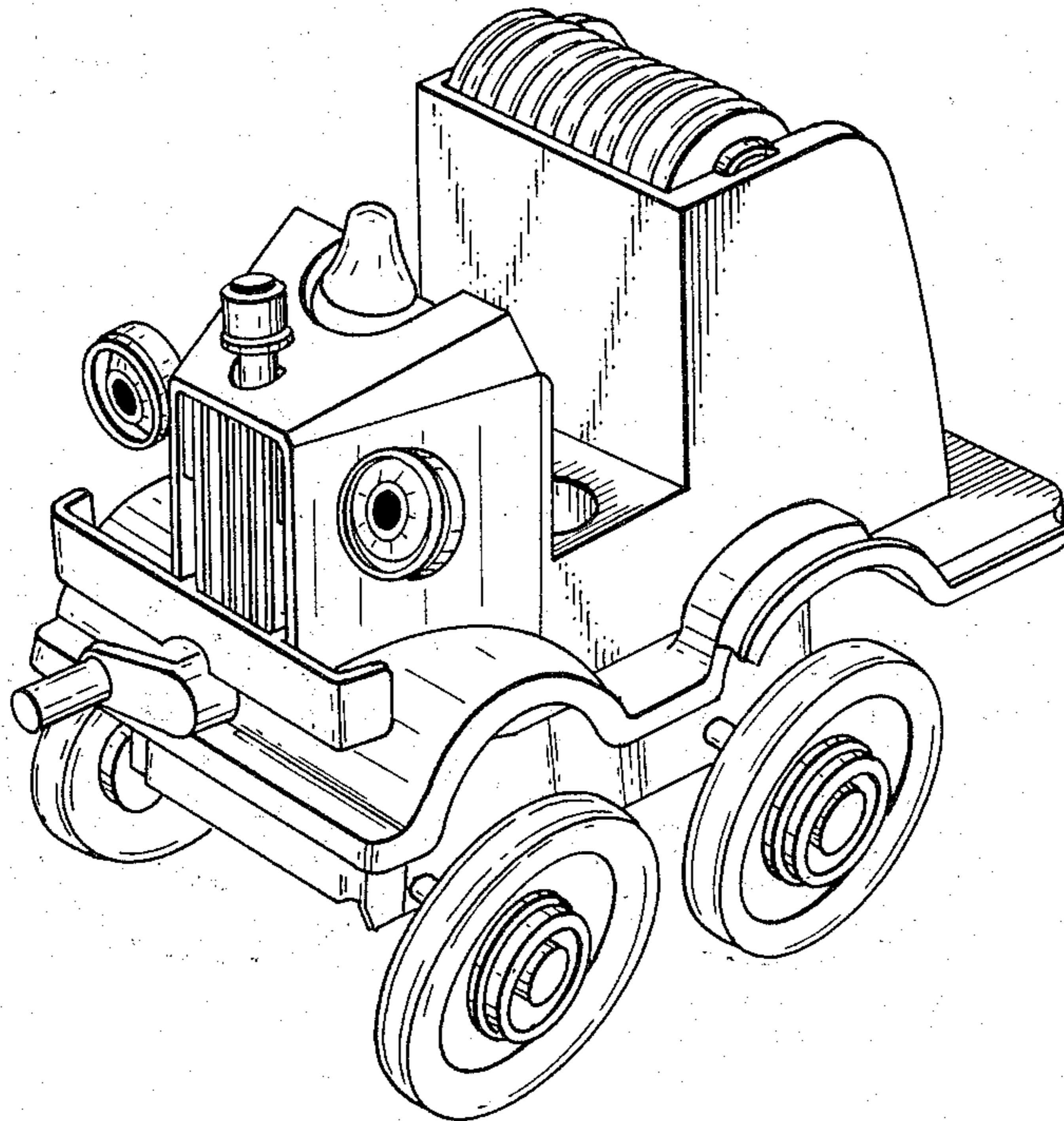
Primary Examiner—Charles A. Rademaker
Attorney, Agent, or Firm—Cumpston & Shaw

[57] **CLAIM**

The ornamental design for a toy truck, substantially as shown and described.

DESCRIPTION

FIG. 1 is a top front left side perspective view of a toy truck showing my new design;
FIG. 2 is a right side elevational view thereof, the left side being substantially a mirror image;
FIG. 3 is a rear elevational view thereof; and
FIG. 4 is a bottom plan view thereof.



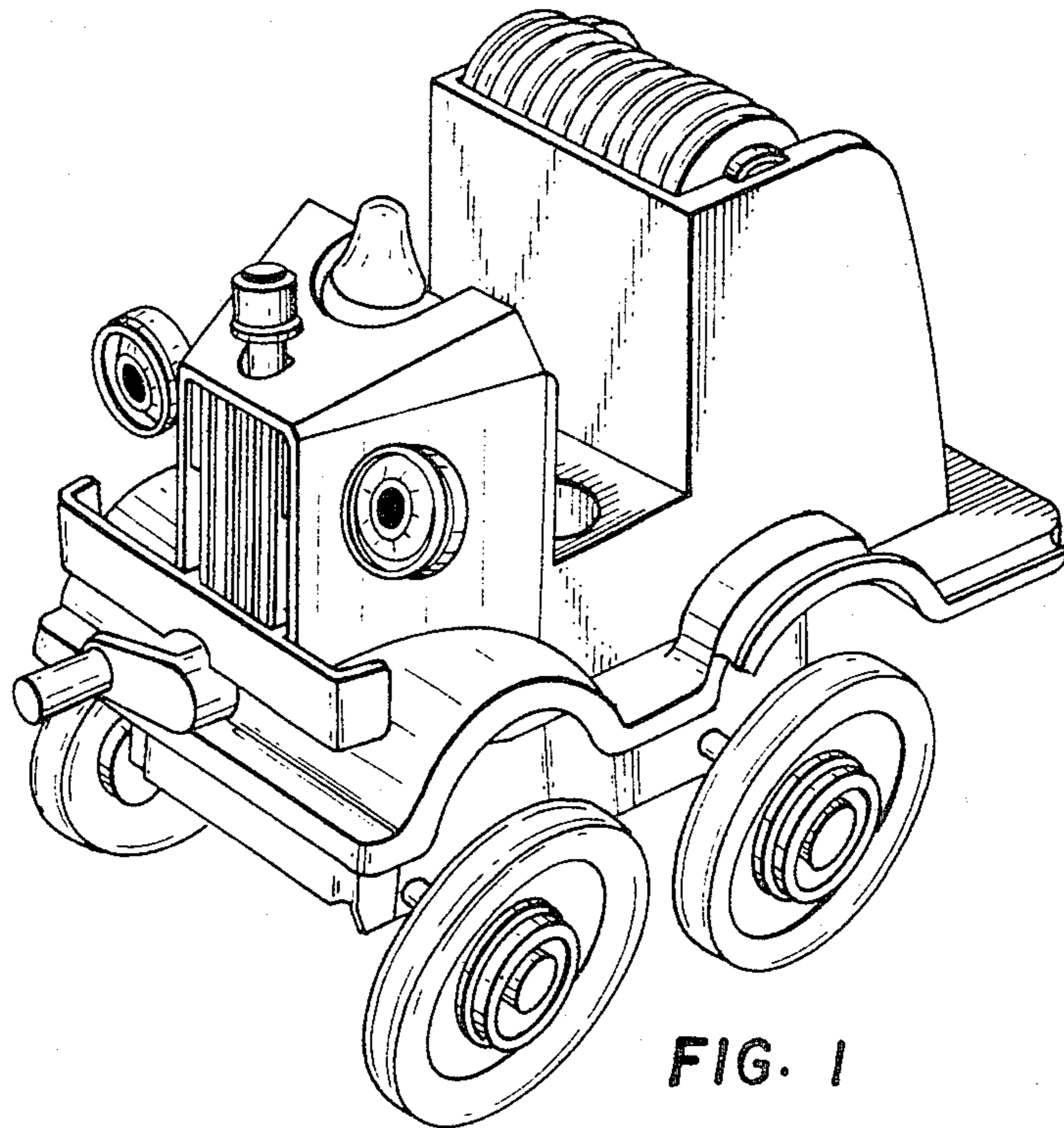


FIG. 1

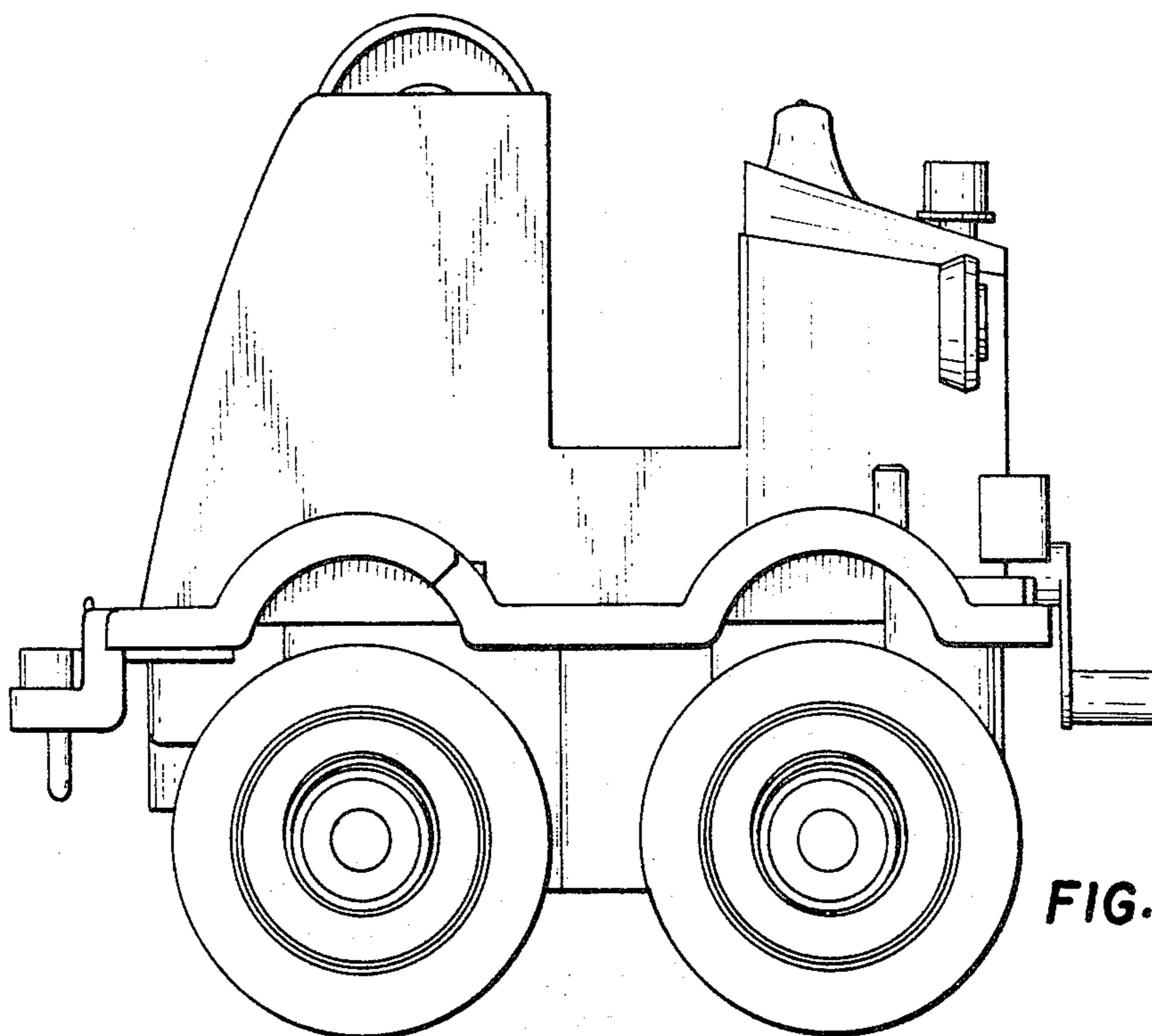


FIG. 2

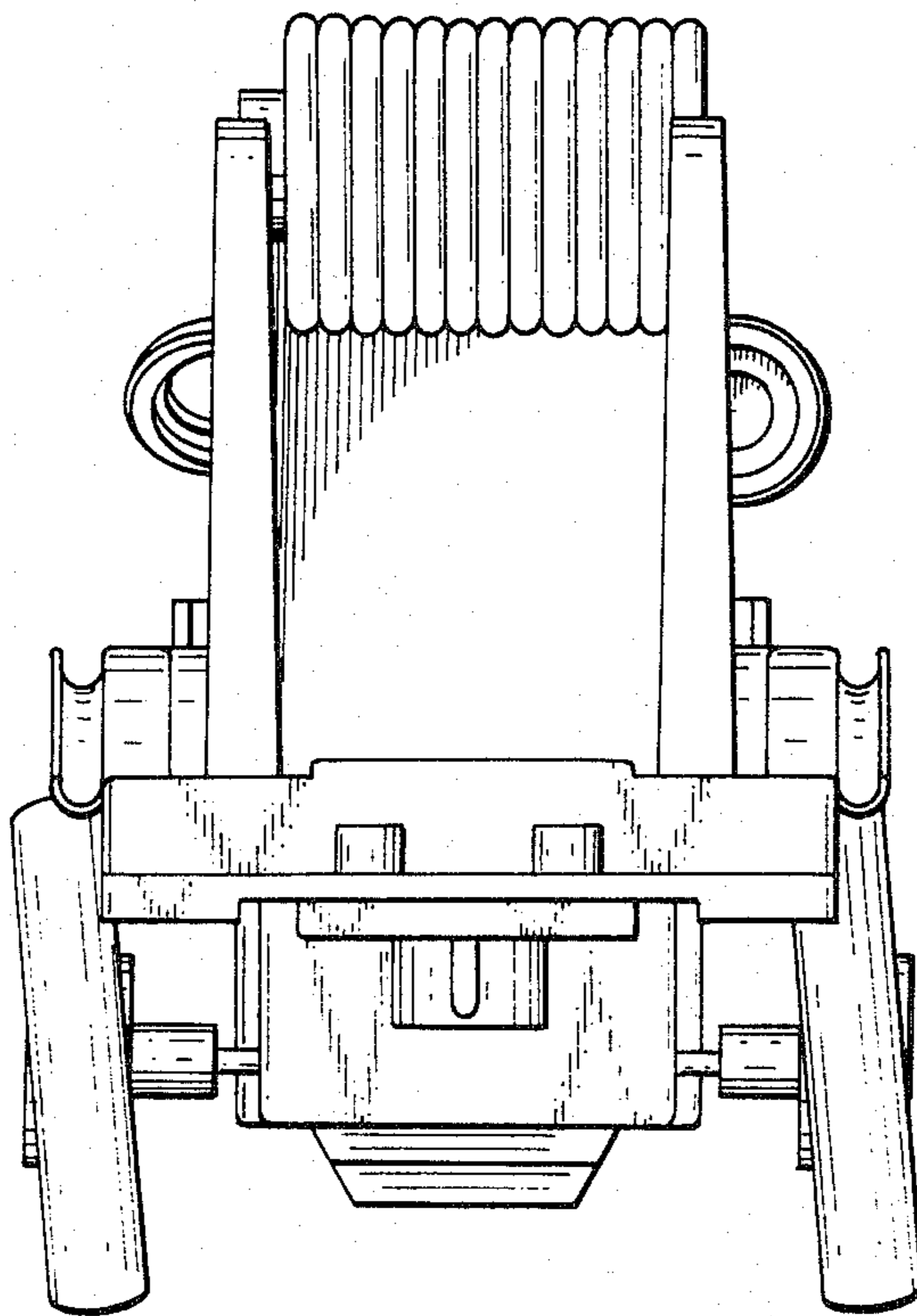


FIG. 3

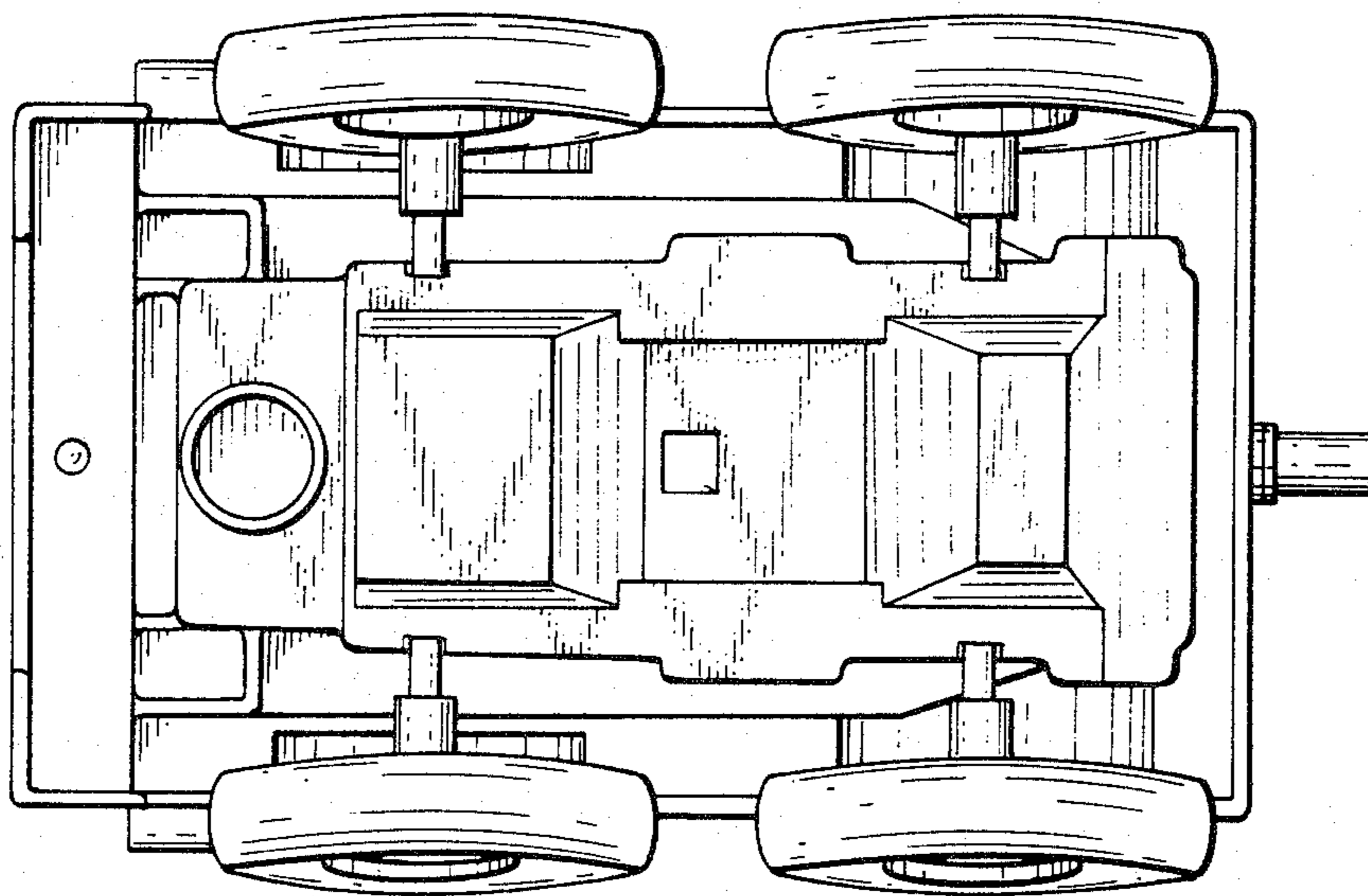


FIG. 4