

[54] TOY FOR DRAWING DESIGNS

[75] Inventors: Douglas R. Miller; George D. Smith, both of Cincinnati, Ohio

[73] Assignee: CPG Products Corp., Minneapolis, Minn.

[**] Term: 14 Years

[21] Appl. No.: 382,020

[22] Filed: May 26, 1982

[52] U.S. Cl. D21/59

[58] Field of Search D21/59; D28/83, 78; 46/1 R; 434/85, 87, 90

[56] References Cited

U.S. PATENT DOCUMENTS

- D. 81,819 8/1930 Wakefield D28/83
- D. 118,781 1/1940 Landwehr D28/83

- D. 250,491 12/1978 Ogawa D21/59
- D. 265,572 7/1982 Bredemeier et al. D21/59

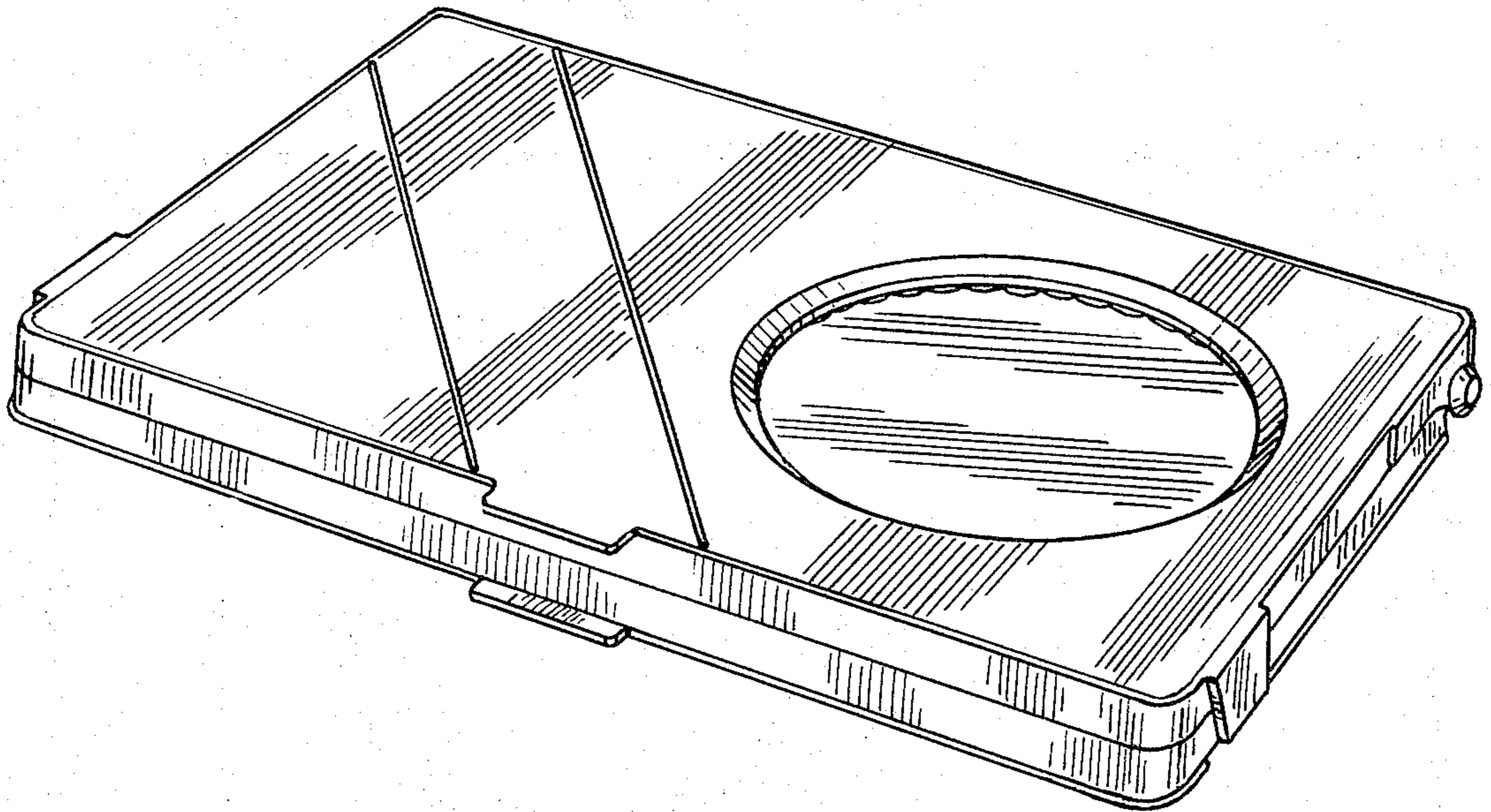
Primary Examiner—Charles A. Rademaker
Attorney, Agent, or Firm—L. MeRoy Lillehaugen; Gene O. Enockson

[57] CLAIM

The ornamental design for a toy for drawing designs, substantially as shown and described.

DESCRIPTION

FIG. 1 is a perspective view of a toy for drawing designs illustrating our new design; FIG. 2 is a front elevational view thereof; FIG. 3 is a top plan view thereof; FIG. 4 is a side elevational view thereof; the opposite side being substantially a mirror image thereof; FIG. 5 is a rear elevational view thereof; and, FIG. 6 is a bottom plan view thereof.



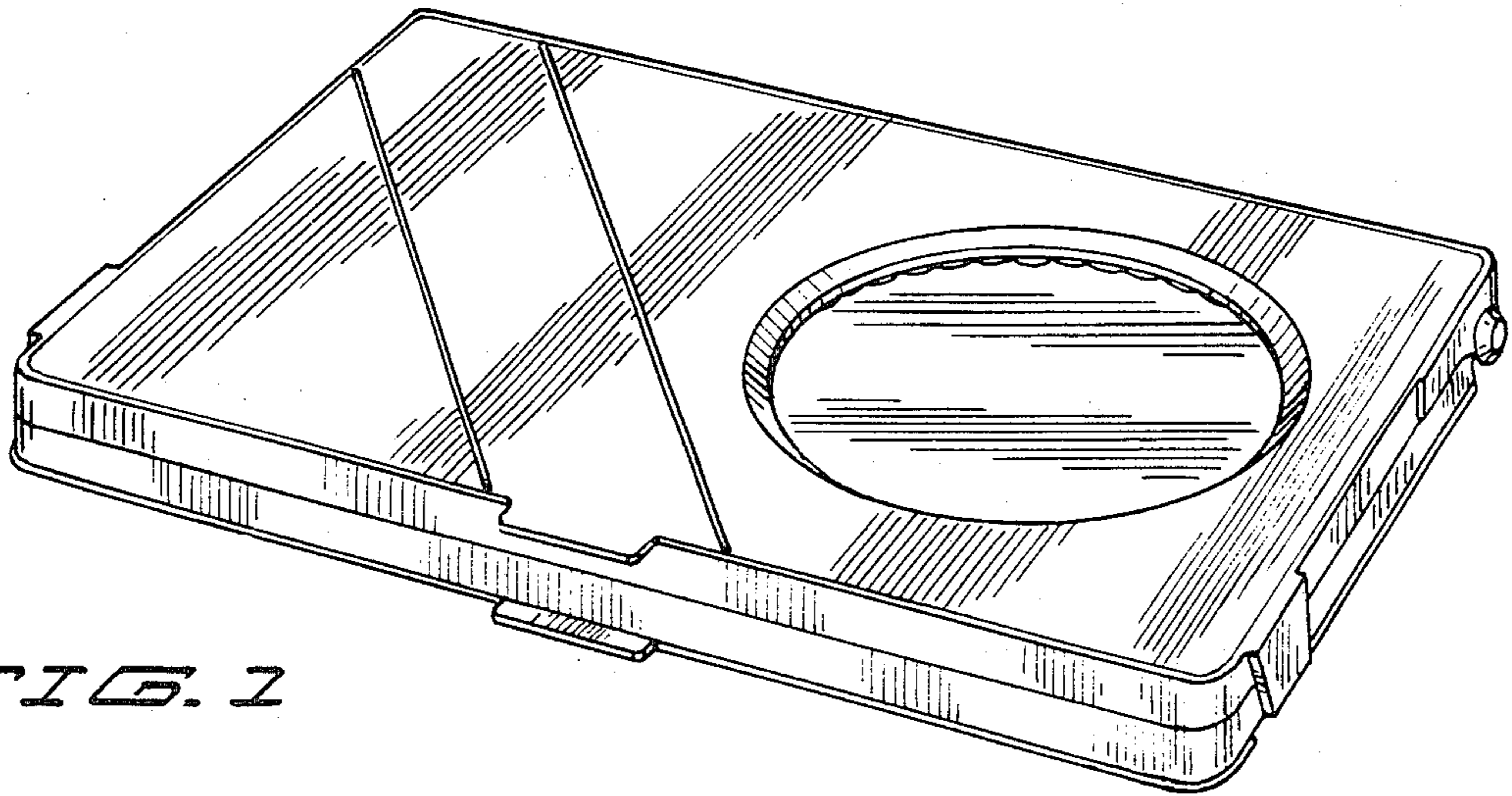


FIG. 1



FIG. 2

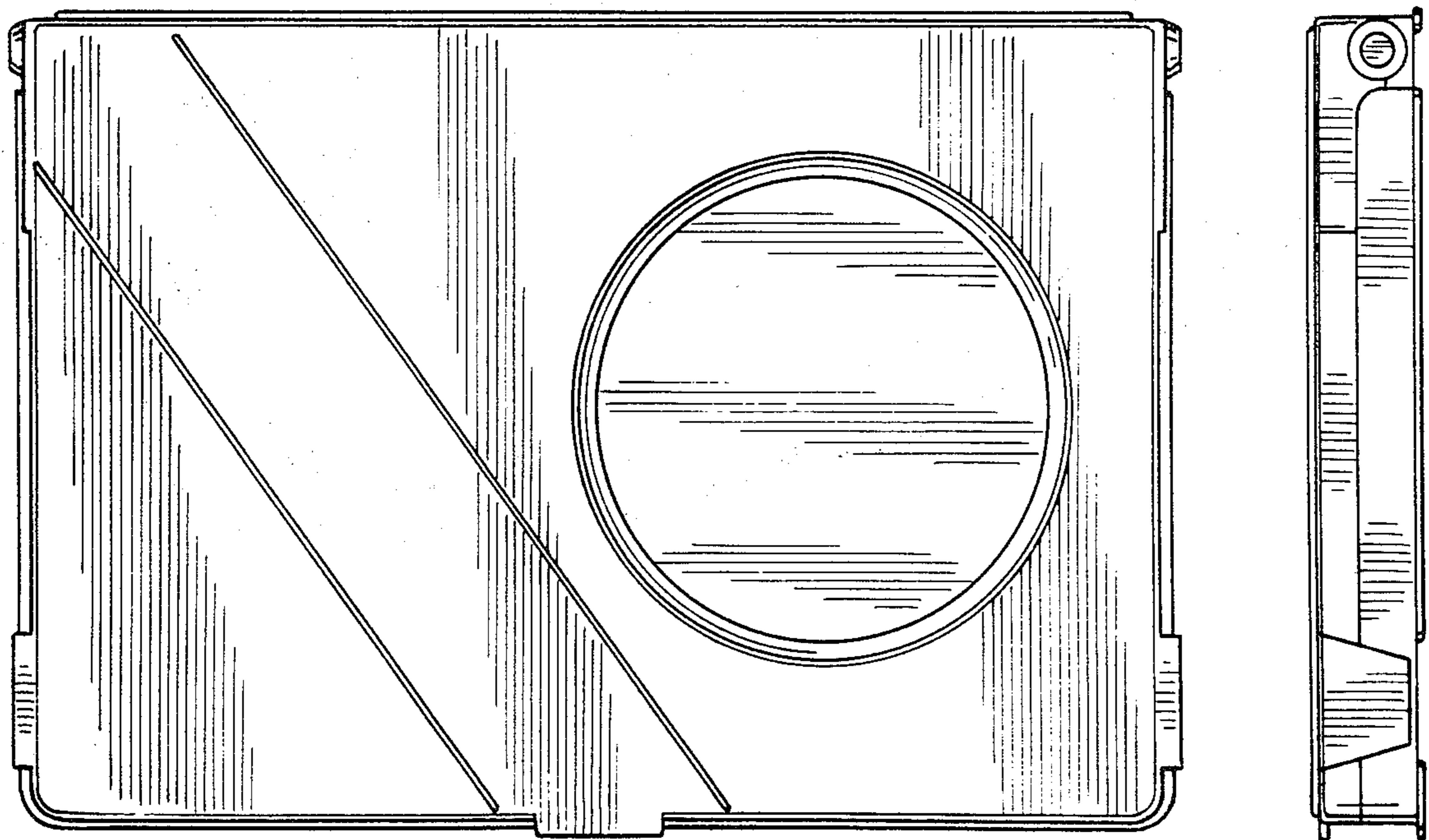


FIG. 3

FIG. 4

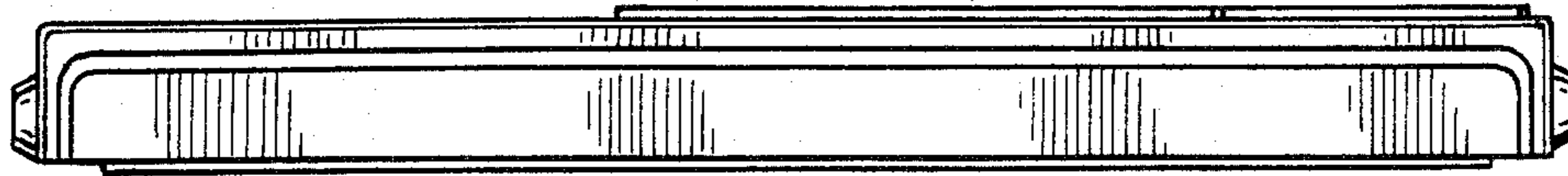


FIG. 5

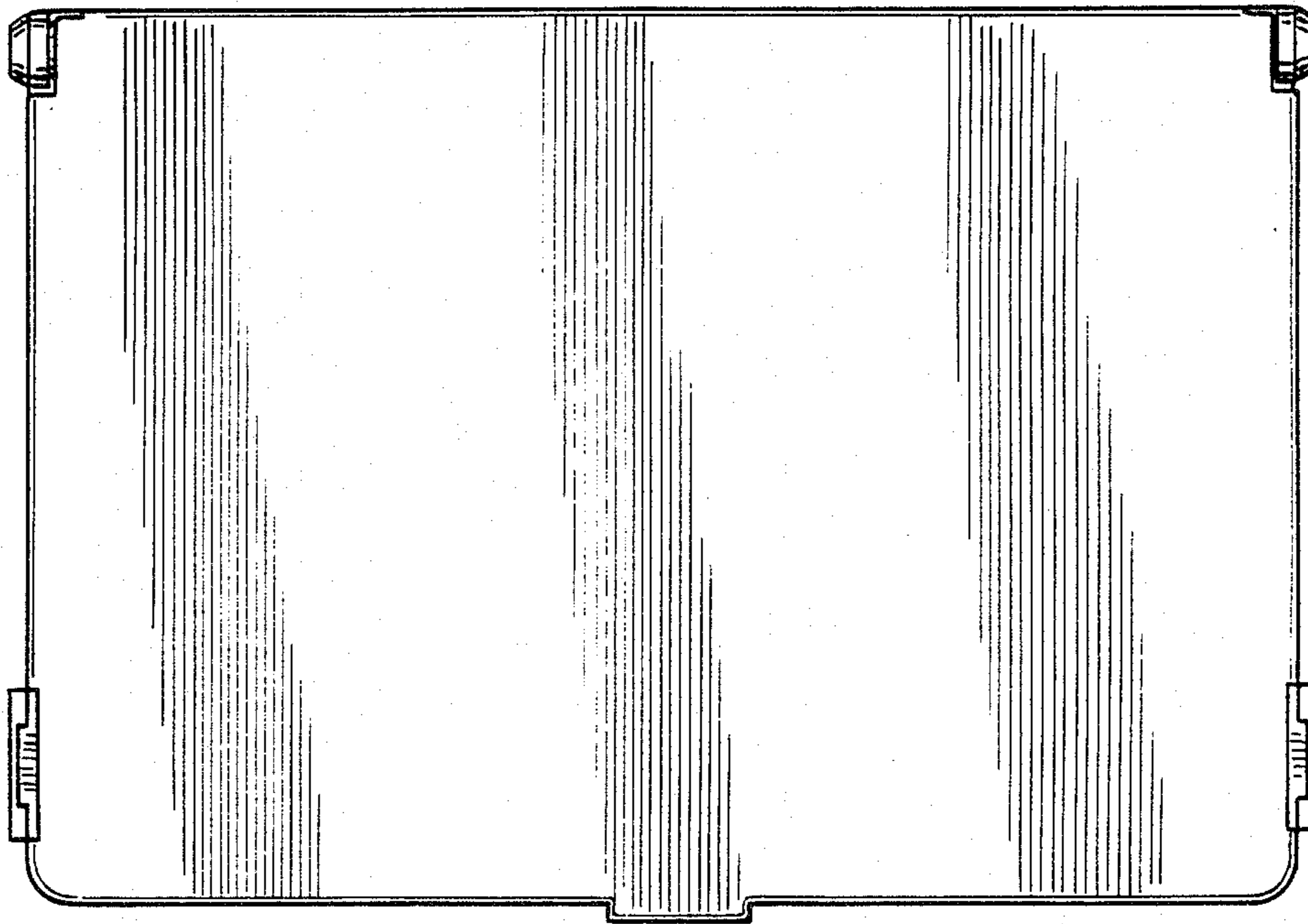


FIG. 6