

[54] **SIGN POST ASSEMBLY**

[76] **Inventor: Joseph B. Glassford, 620 N. Arbogast, Griffith, Ind. 46319**

[**] **Term: 14 Years**

[21] **Appl. No.: 423,556**

[22] **Filed: Sep. 27, 1982**

[52] **U.S. Cl. D20/17; D20/41**

[58] **Field of Search D20/10, 17, 41, 42, D20/43; 40/584, 605, 606, 607, 608, 611, 612, 617**

[56] **References Cited**

U.S. PATENT DOCUMENTS

1,144,629	6/1915	Auer	40/607
1,282,673	10/1918	Brakey	40/612
2,641,075	6/1953	Saul	40/612

FOREIGN PATENT DOCUMENTS

138517	2/1920	United Kingdom	40/607
--------	--------	----------------	--------

Primary Examiner—Catherine E. Kemper

Attorney, Agent, or Firm—McDougall, Hersh & Scott

[57] **CLAIM**

The ornamental design for a sign post assembly, as shown and described.

DESCRIPTION

FIG. 1 is a perspective view of a sign post assembly showing my new design;
FIG. 2 is a top plan view thereof;
FIG. 3 is a right side view thereof;
FIG. 4 is a left side view thereof;
FIG. 5 is a right rear view thereof;
FIG. 6 is a left rear view thereof;
FIG. 7 is a perspective view of a second embodiment of a sign post assembly;
FIG. 8 is a top plan view thereof;
FIG. 9 is a right side view thereof;
FIG. 10 is a left side view thereof;
FIG. 11 is a right side view thereof;
FIG. 12 is a left rear view thereof;
The sign post has been shown fragmentarily for ease of illustration and to indicate indeterminate length.

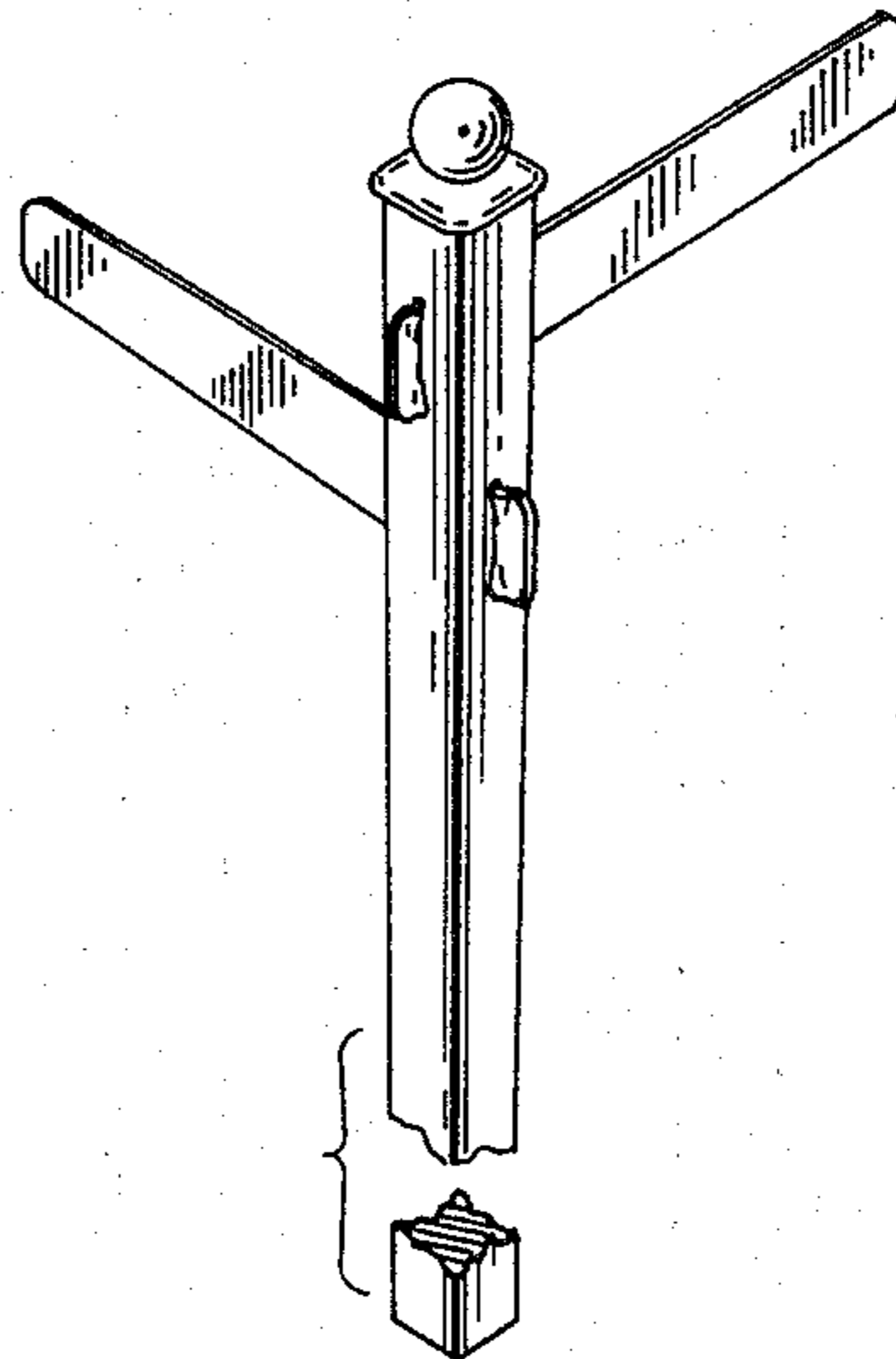


FIG. 1.

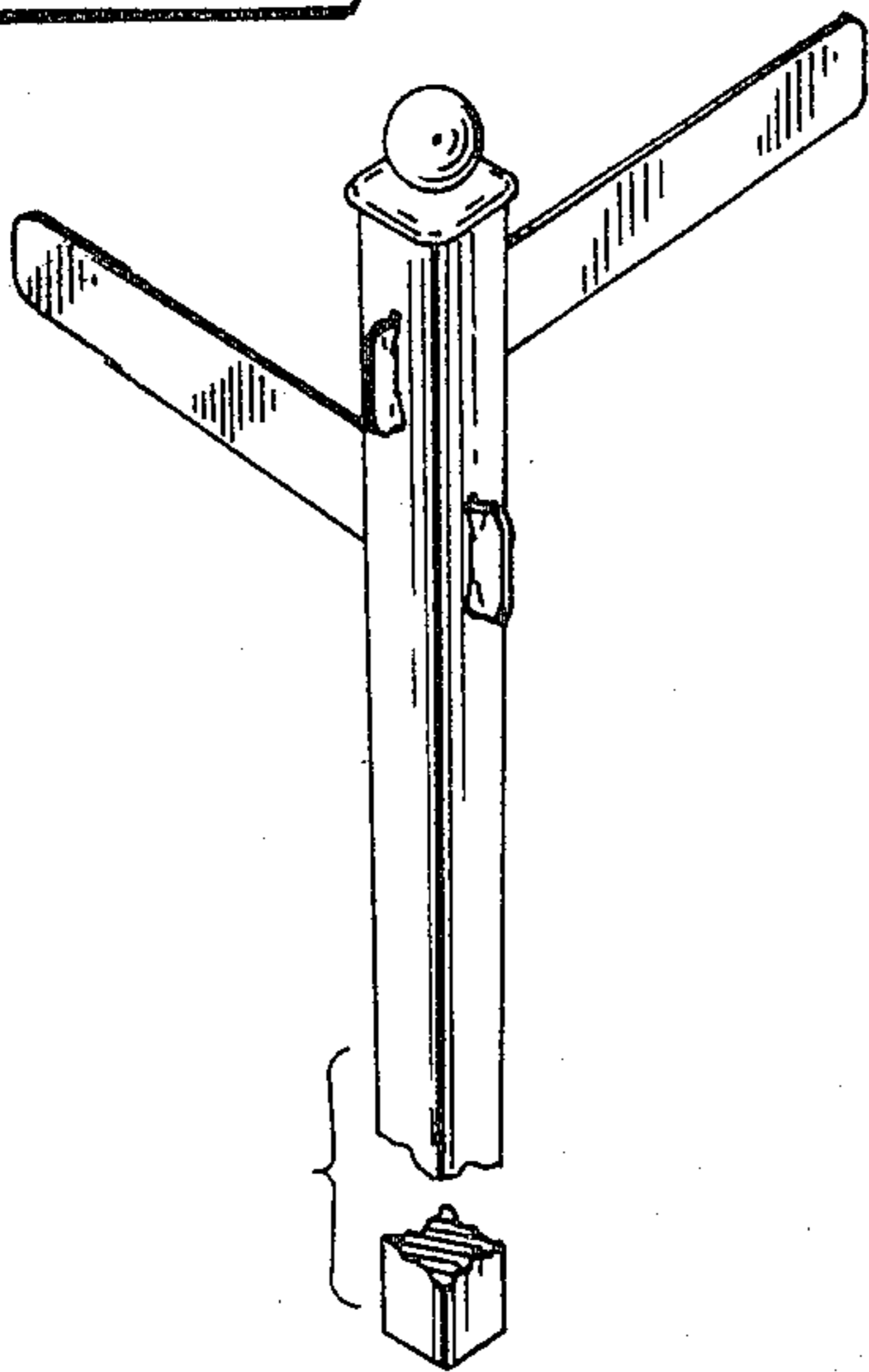


FIG. 2.

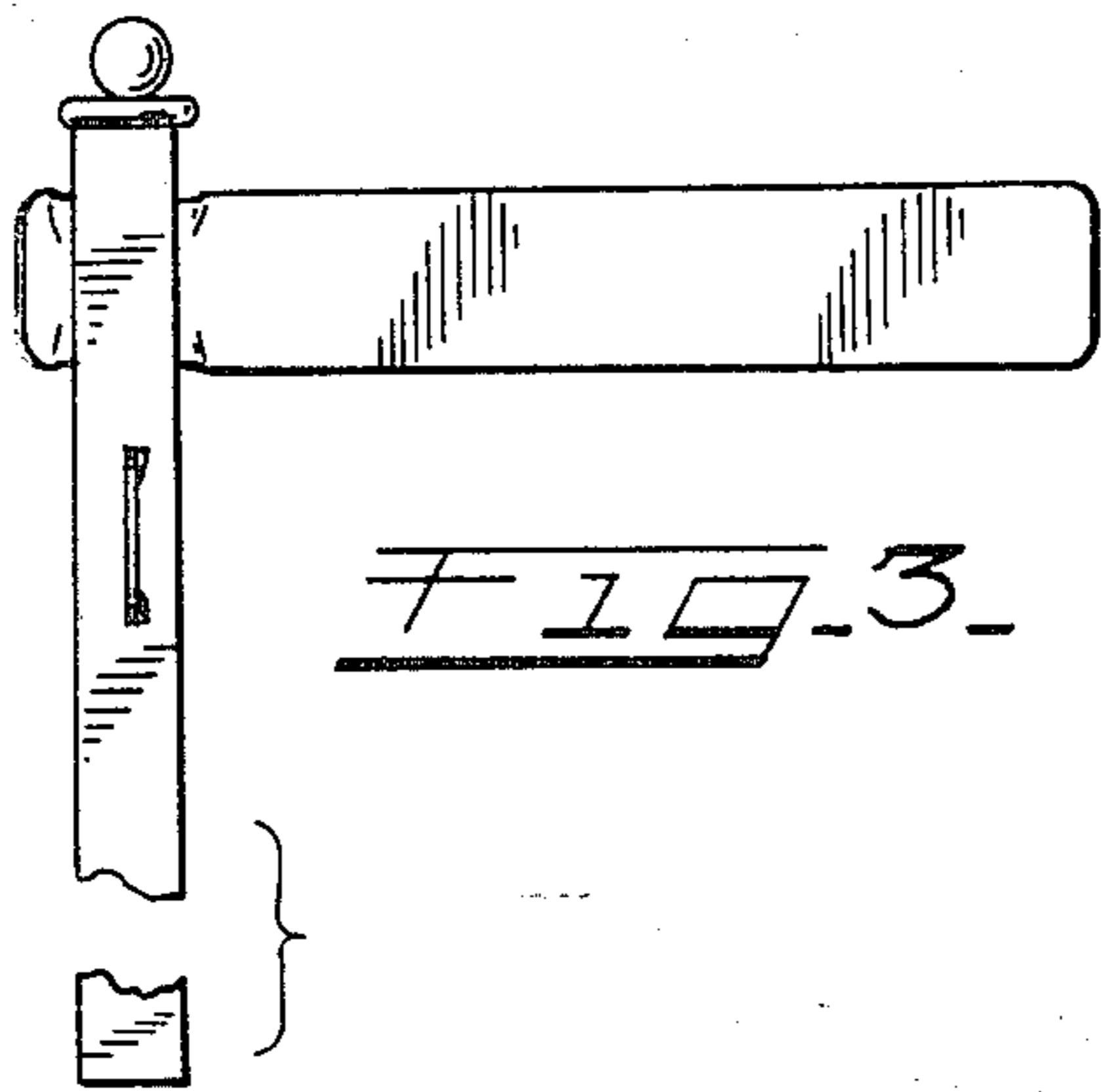
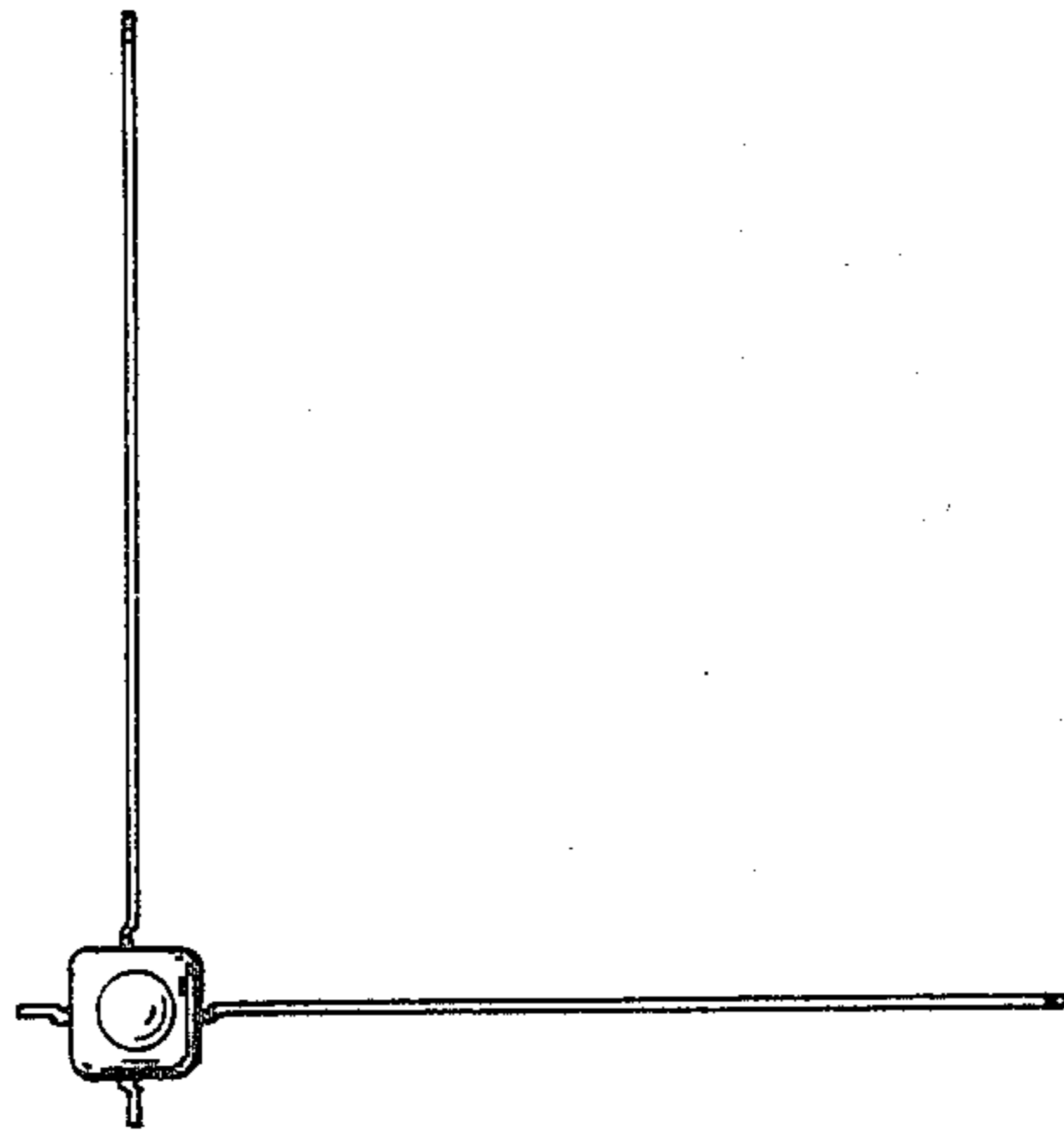


FIG. 3.

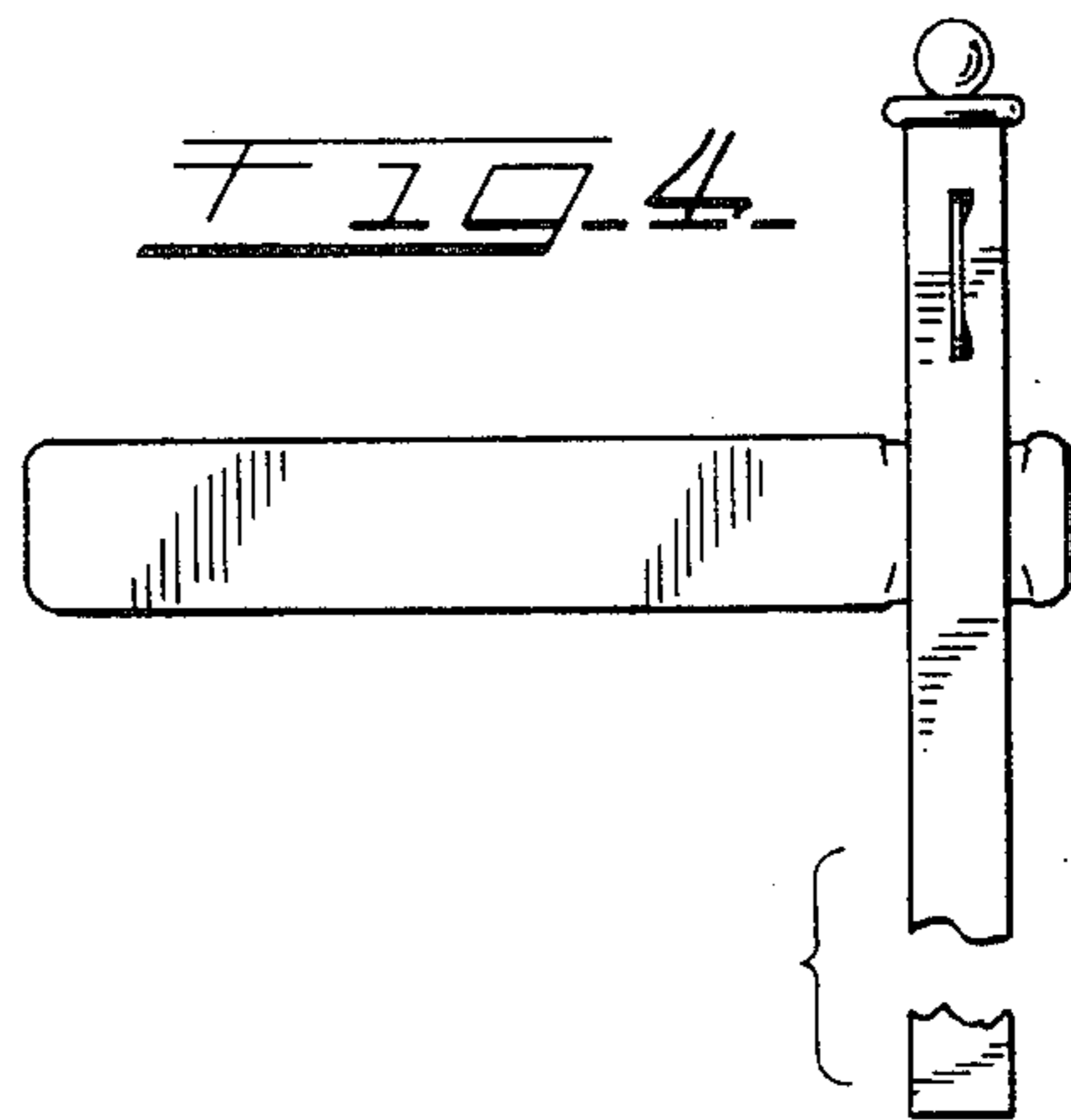


FIG. 4.

FIG. 5.

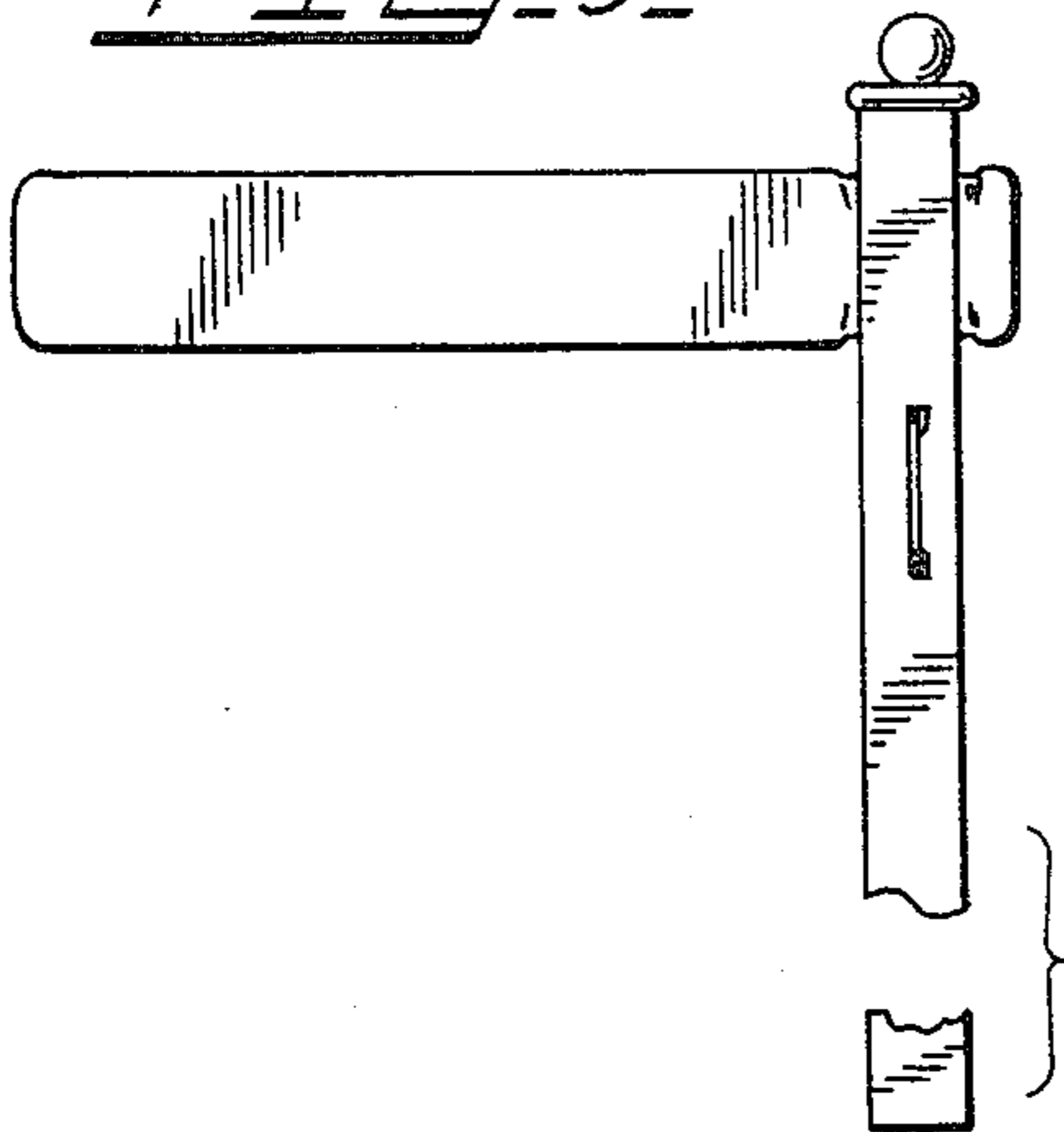


FIG. 6.

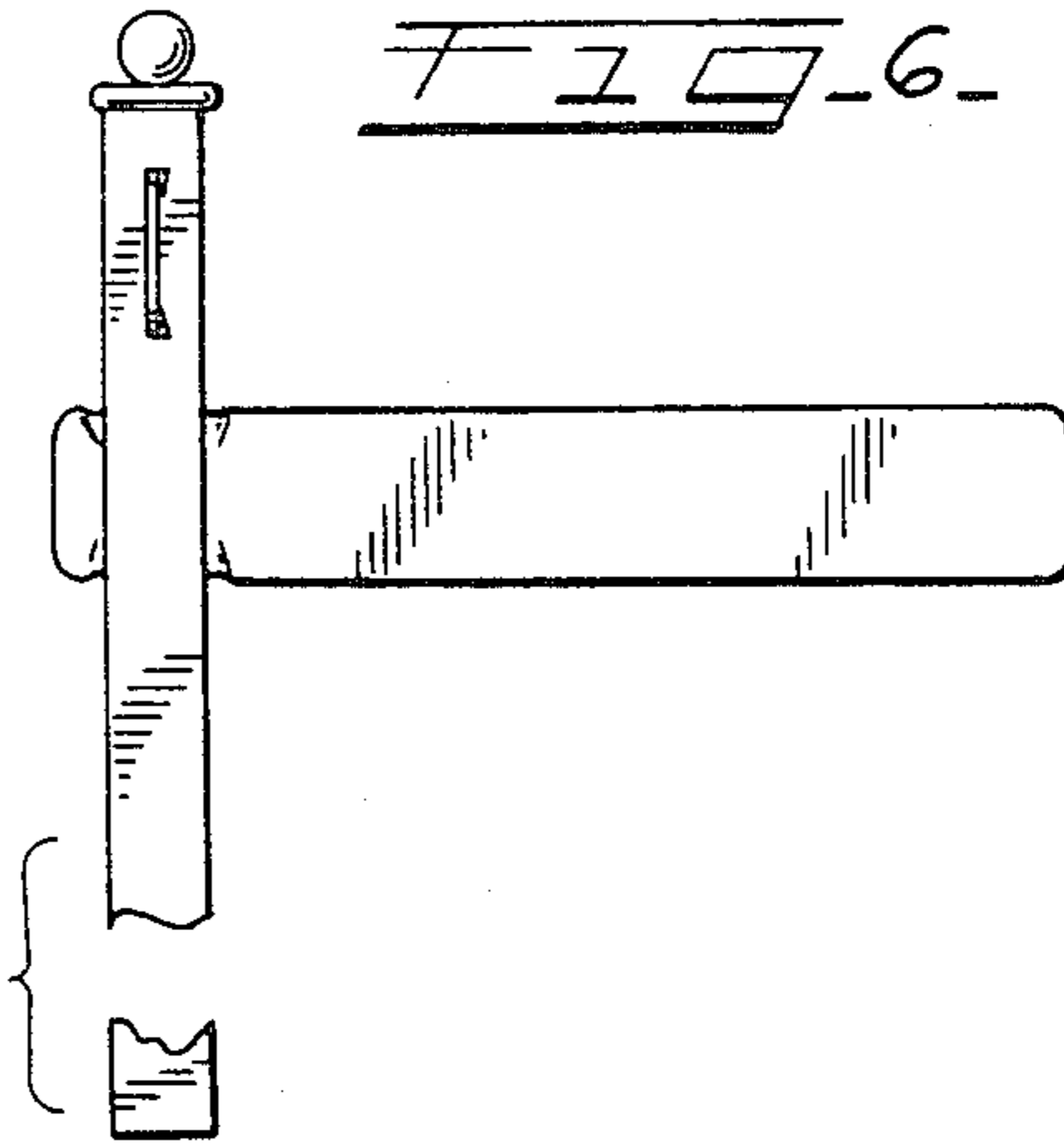


FIG. 7.

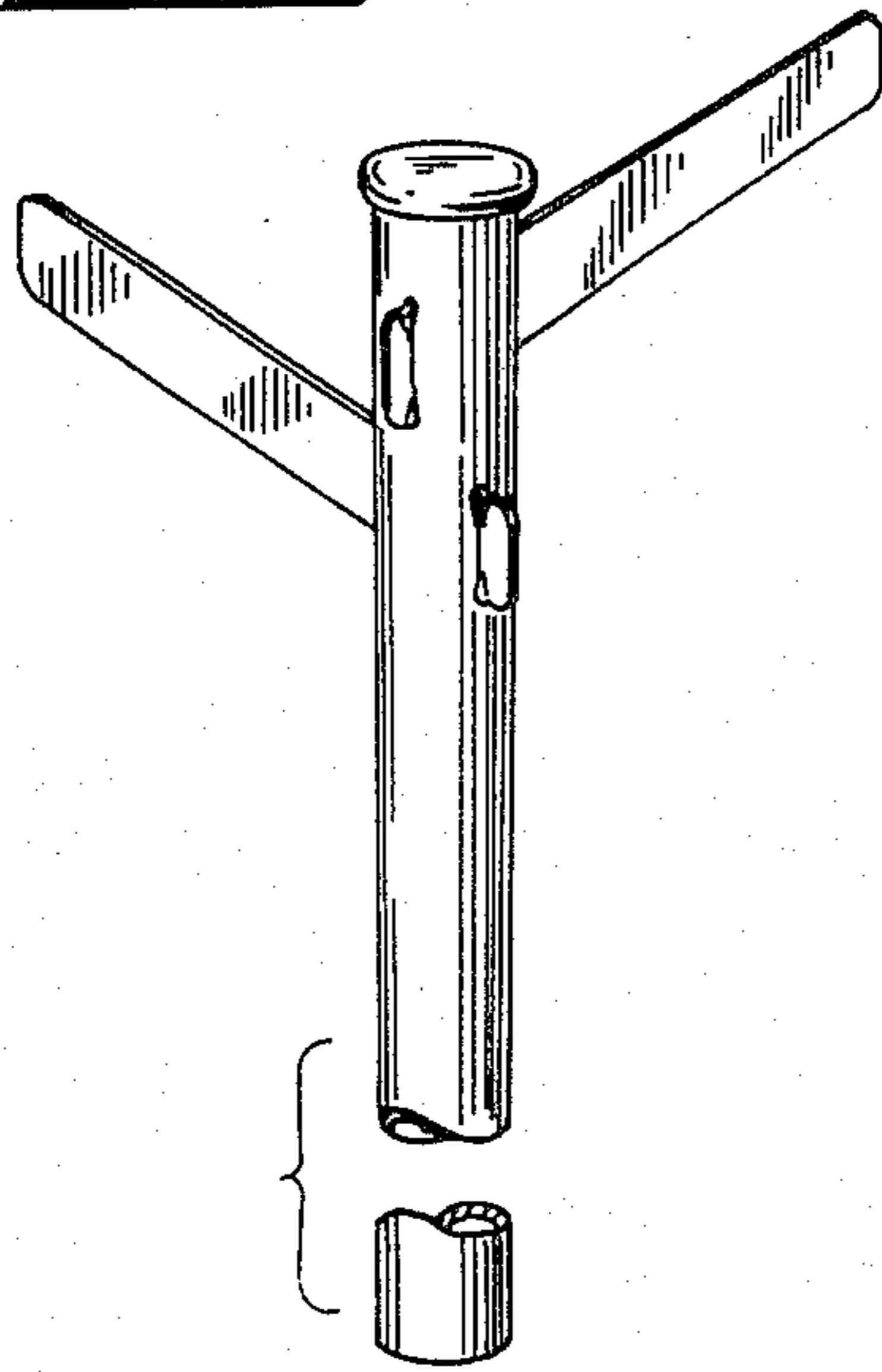


FIG. 8.

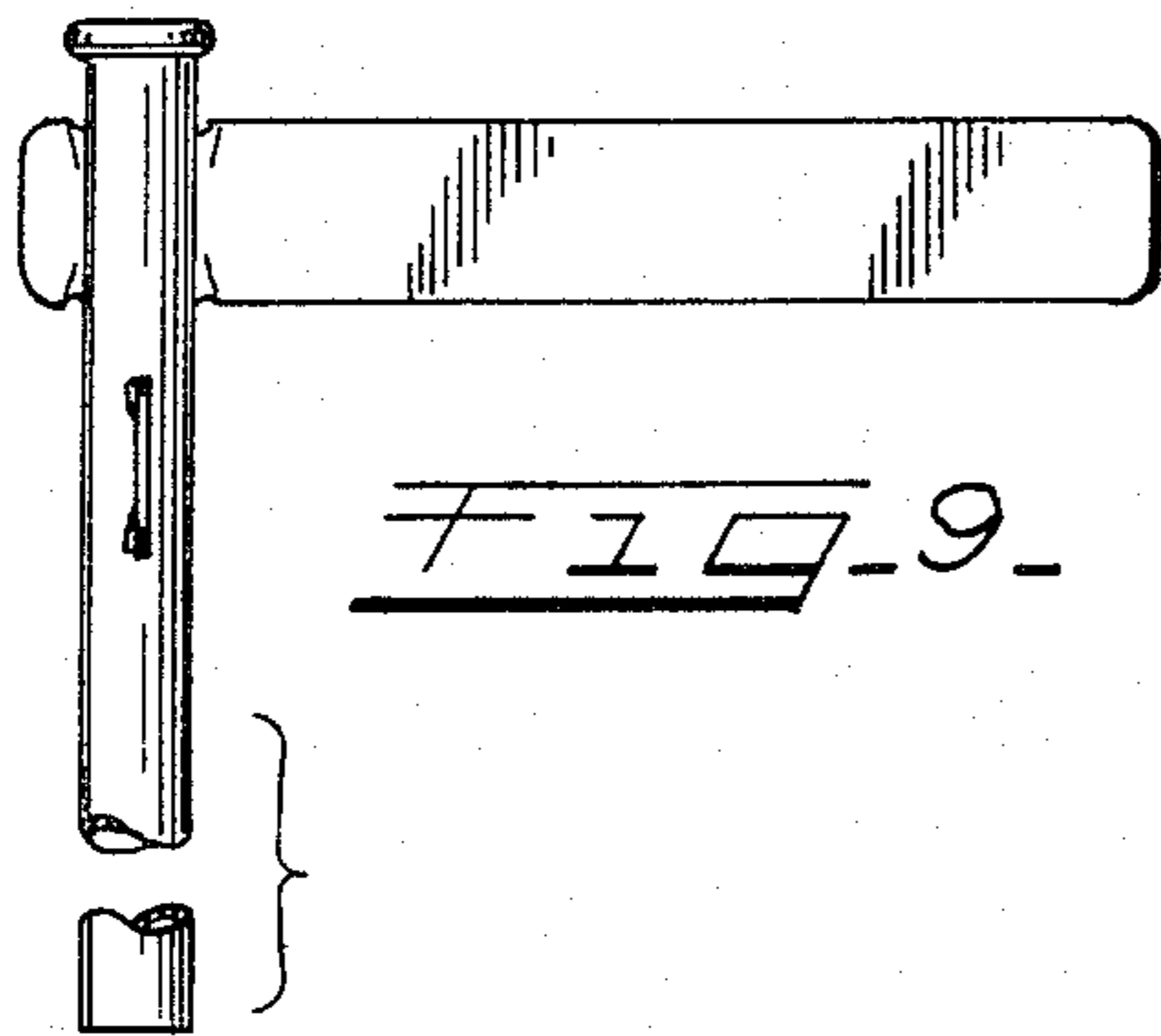
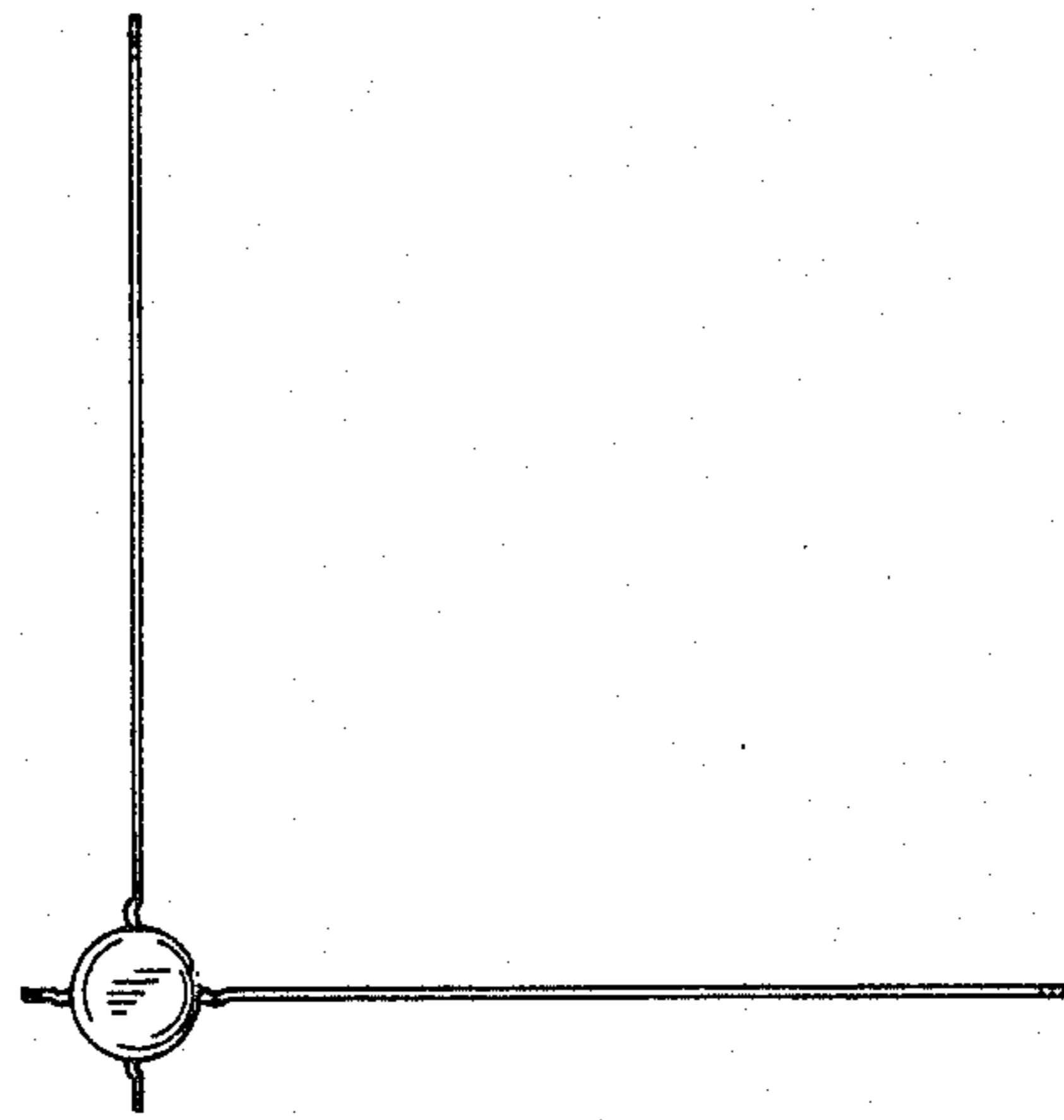


FIG. 9.

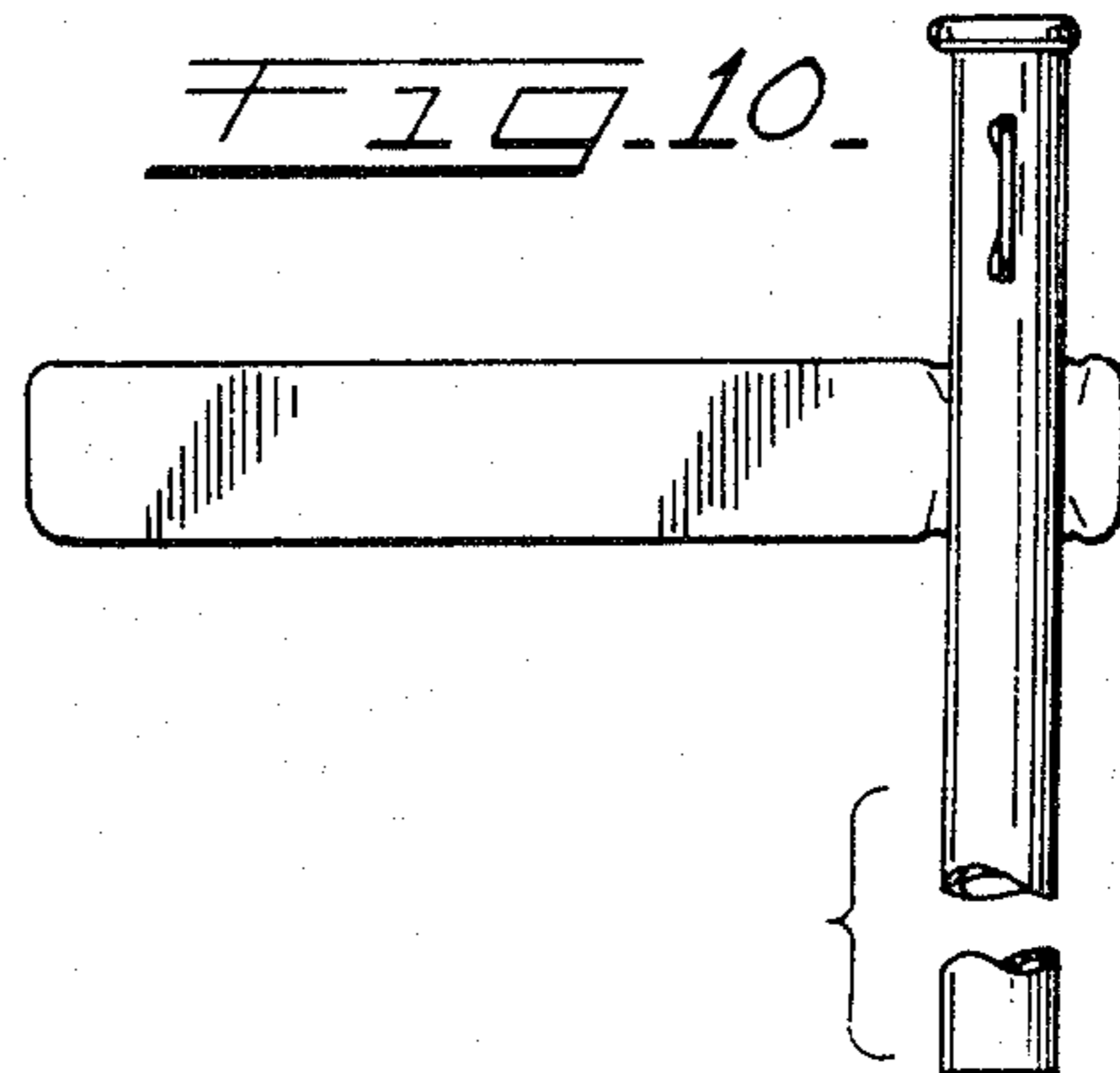


FIG. 10.

FIG. 11.

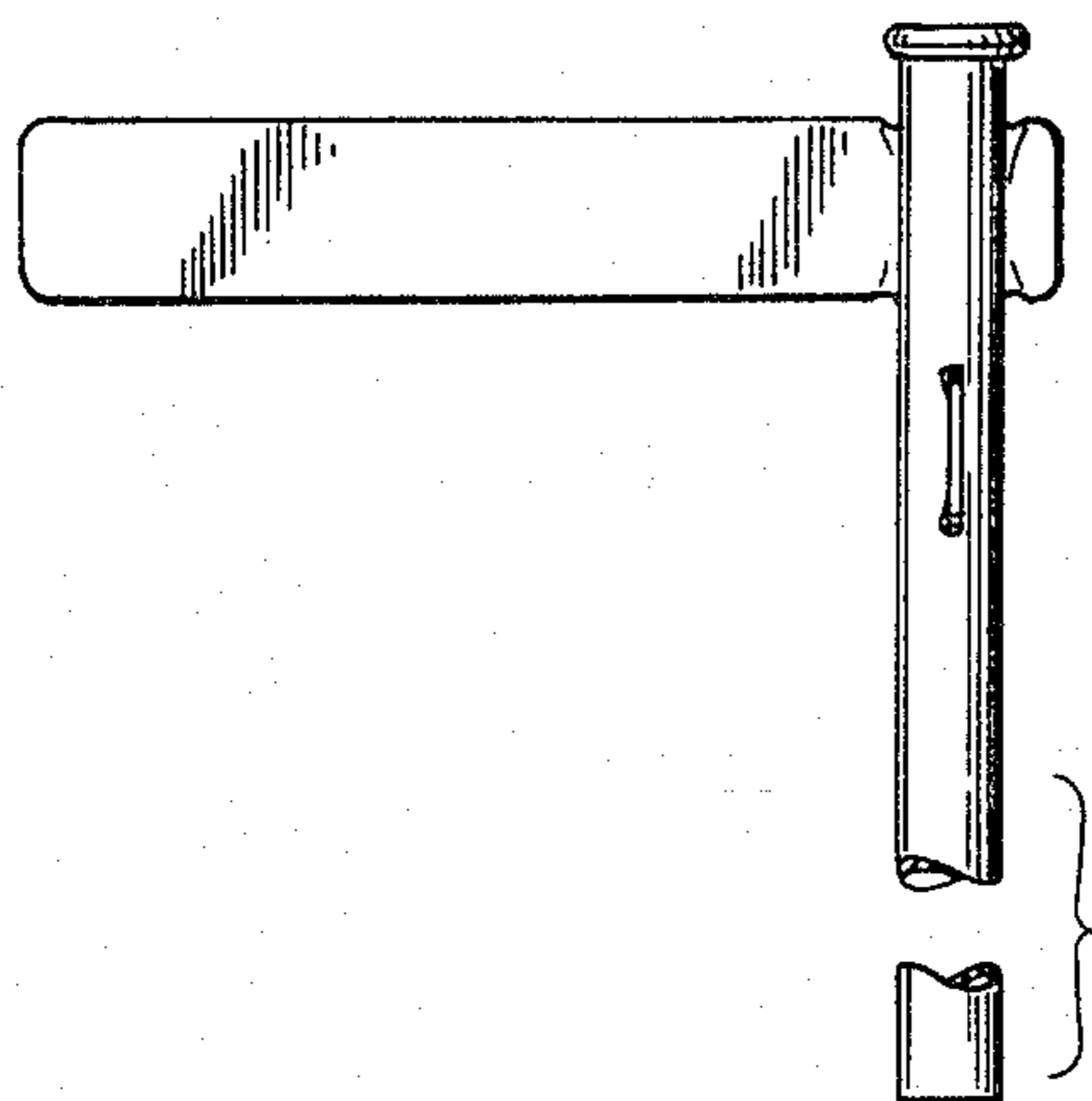


FIG. 12.

