

[54] AUTOGENOUS IMPACT MILL

4,060,206 11/1977 Granzow D15/123

[76] Inventor: Alvin A. Snaper, 2800 Cameo Cir.,
Las Vegas, Nev. 89107

Primary Examiner—B. J. Bullock
Attorney, Agent, or Firm—Donald D. Mon; David
O'Reilly

[**] Term: 14 Years

[57] CLAIM

[21] Appl. No.: 415,891

The ornamental design for an autogenous impact mill,
as shown and described.

[22] Filed: Sep. 8, 1982

[52] U.S. Cl. D15/123

[58] Field of Search D15/122, 123, 127;
241/52, 69, 186 R

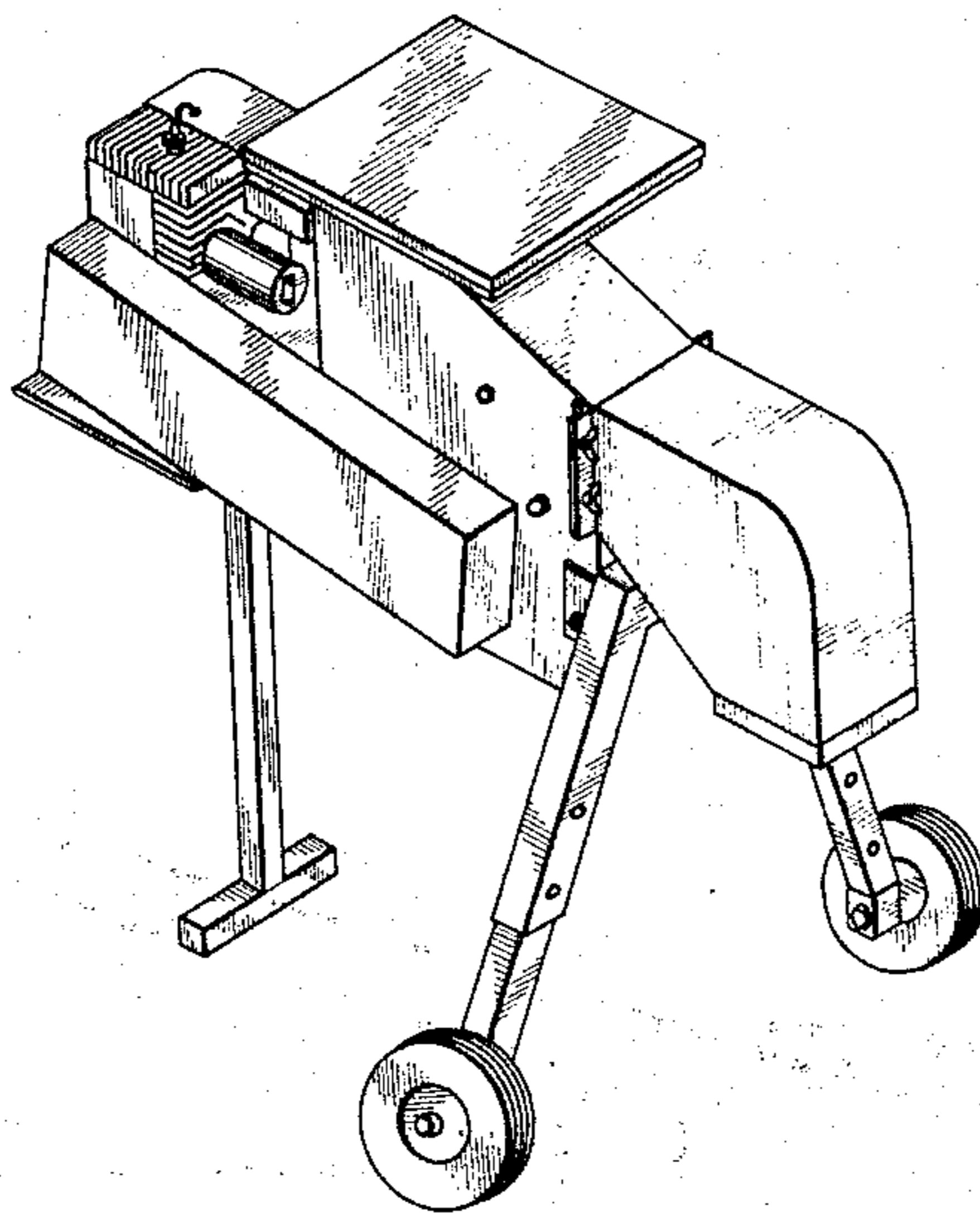
DESCRIPTION

[56] References Cited

U.S. PATENT DOCUMENTS

D. 152,338	1/1949	Hough et al.	D15/127
3,038,672	6/1962	Langsetmo	241/52
3,082,962	3/1963	Parten	241/52
3,100,087	8/1963	McDermott	241/69

FIG. 1 is a perspective view of an autogenous impact mill showing my new design;
FIG. 2 is a front view thereof;
FIG. 3 is a side view taken from the left of FIG. 1;
FIG. 4 is a side view taken from the right of FIG. 1;
FIG. 5 is a top view thereof;
FIG. 6 is a bottom view thereof;
FIG. 7 is a rear view thereof.



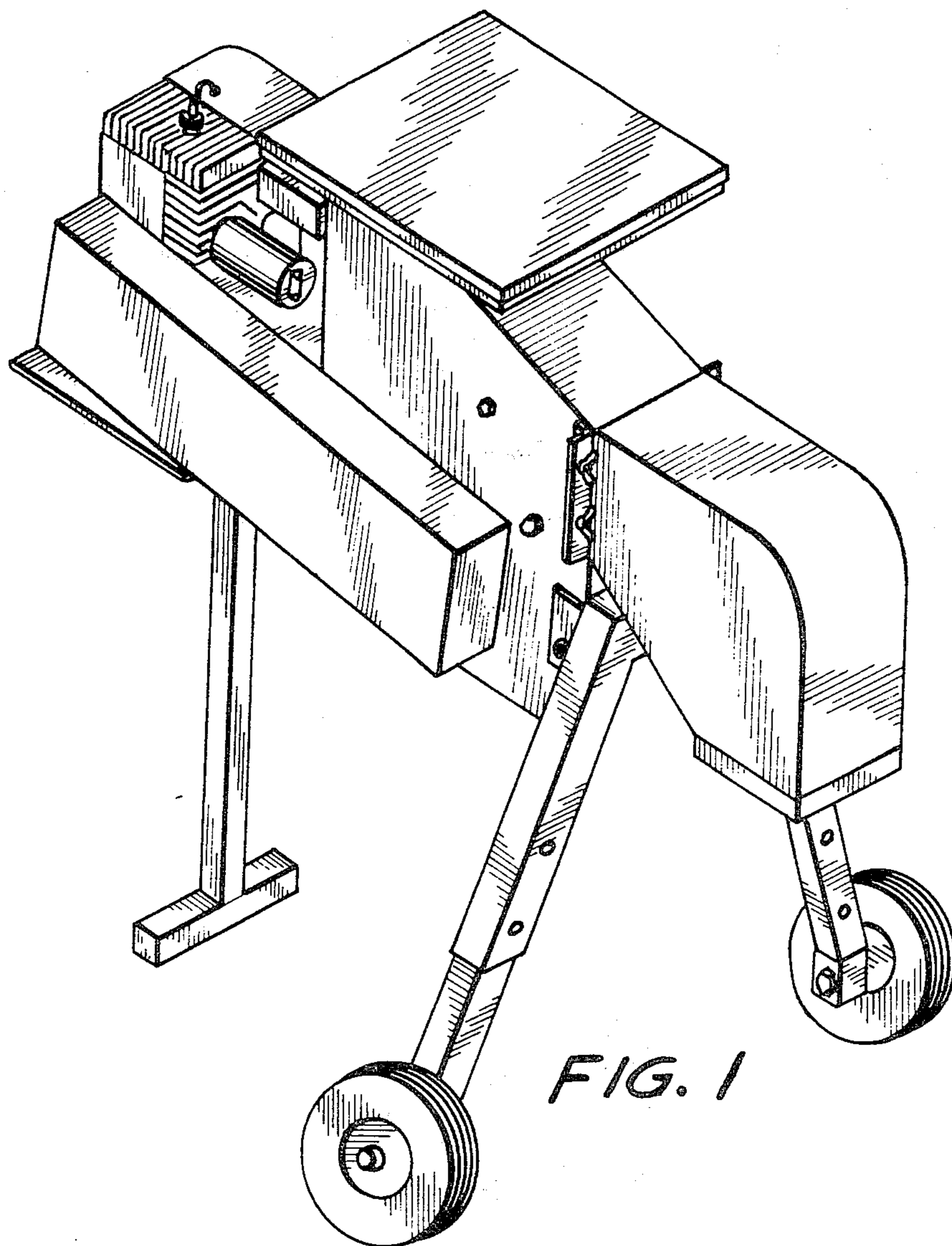


FIG. 1

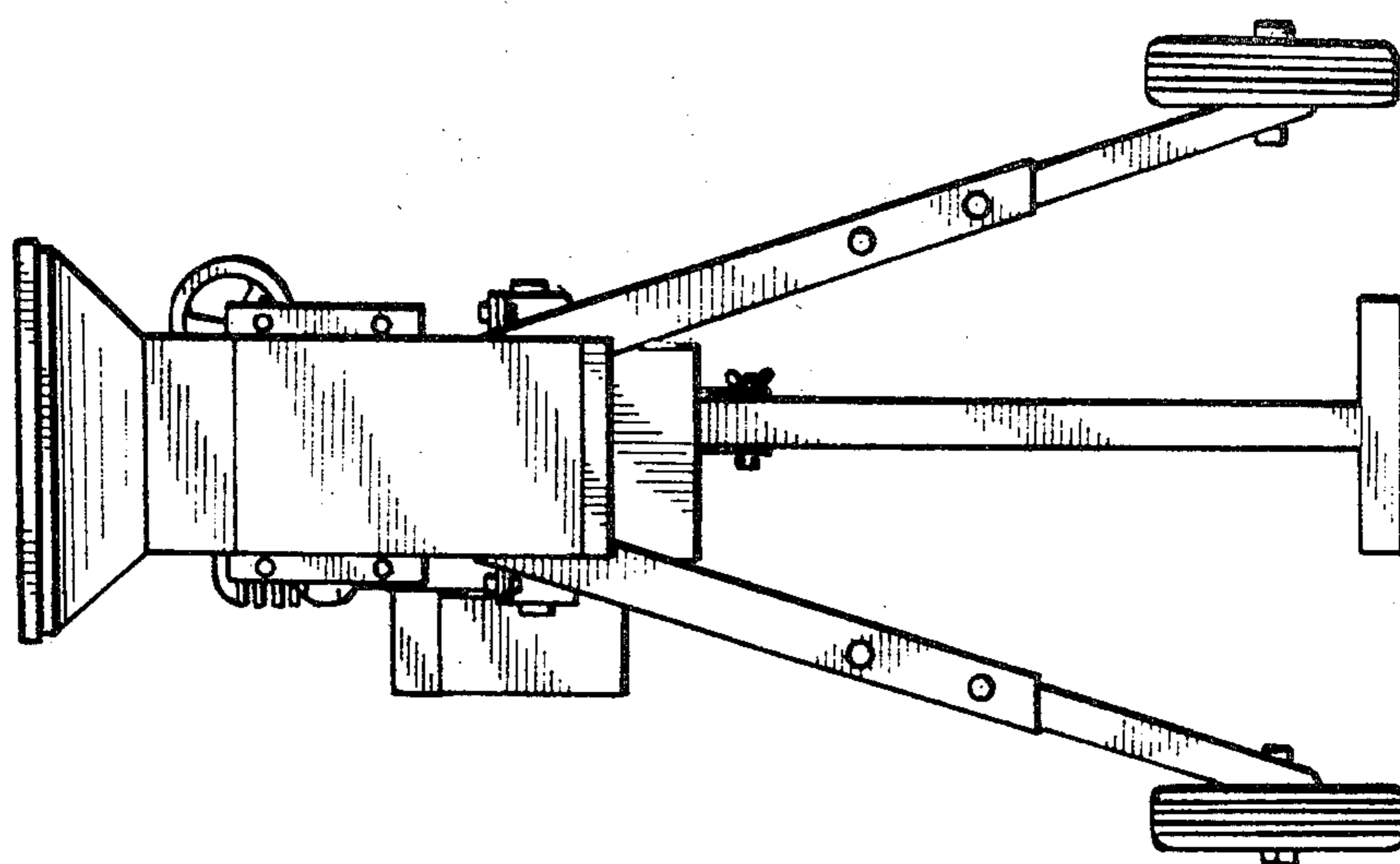


FIG. 2

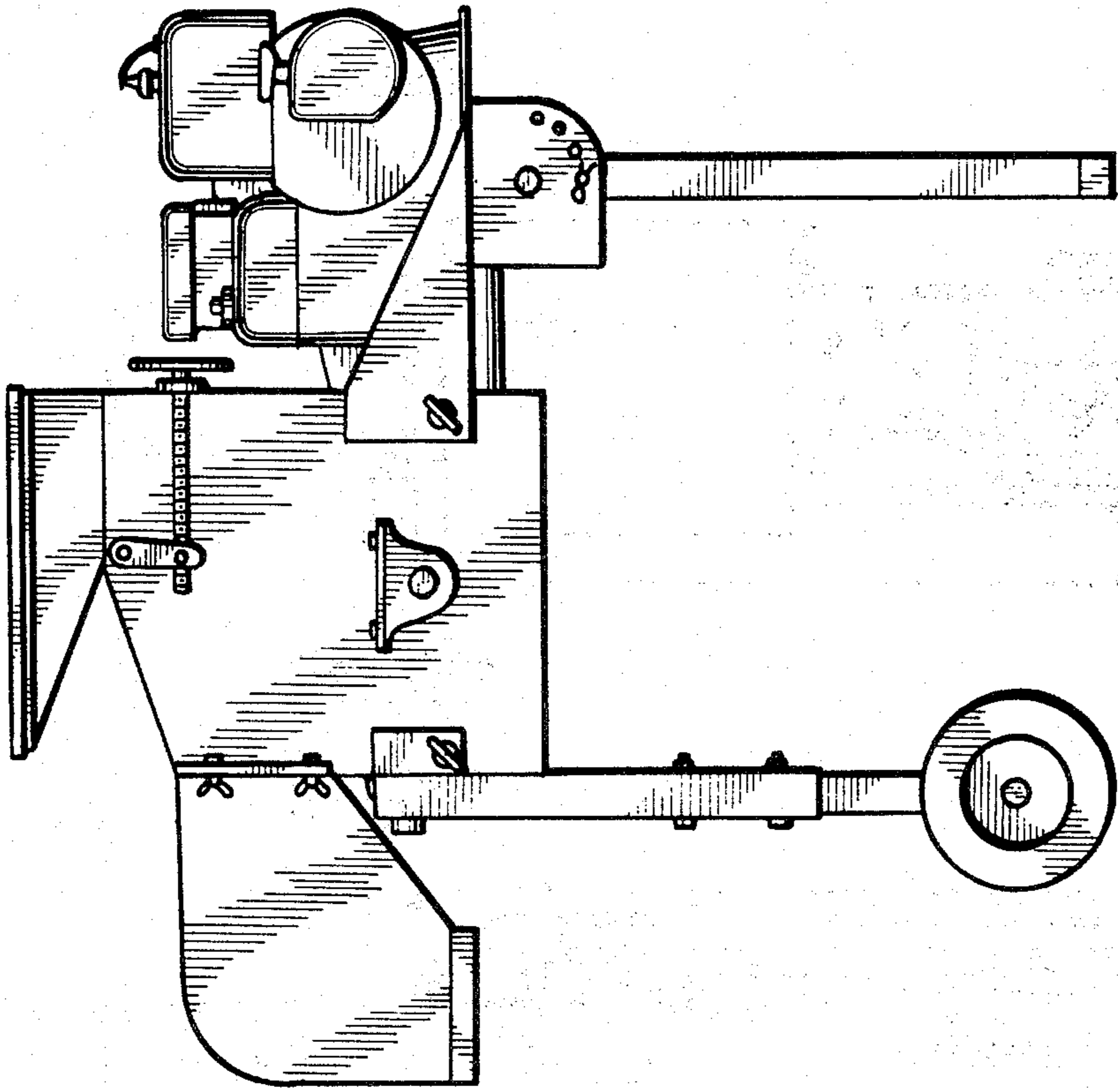


FIG. 3

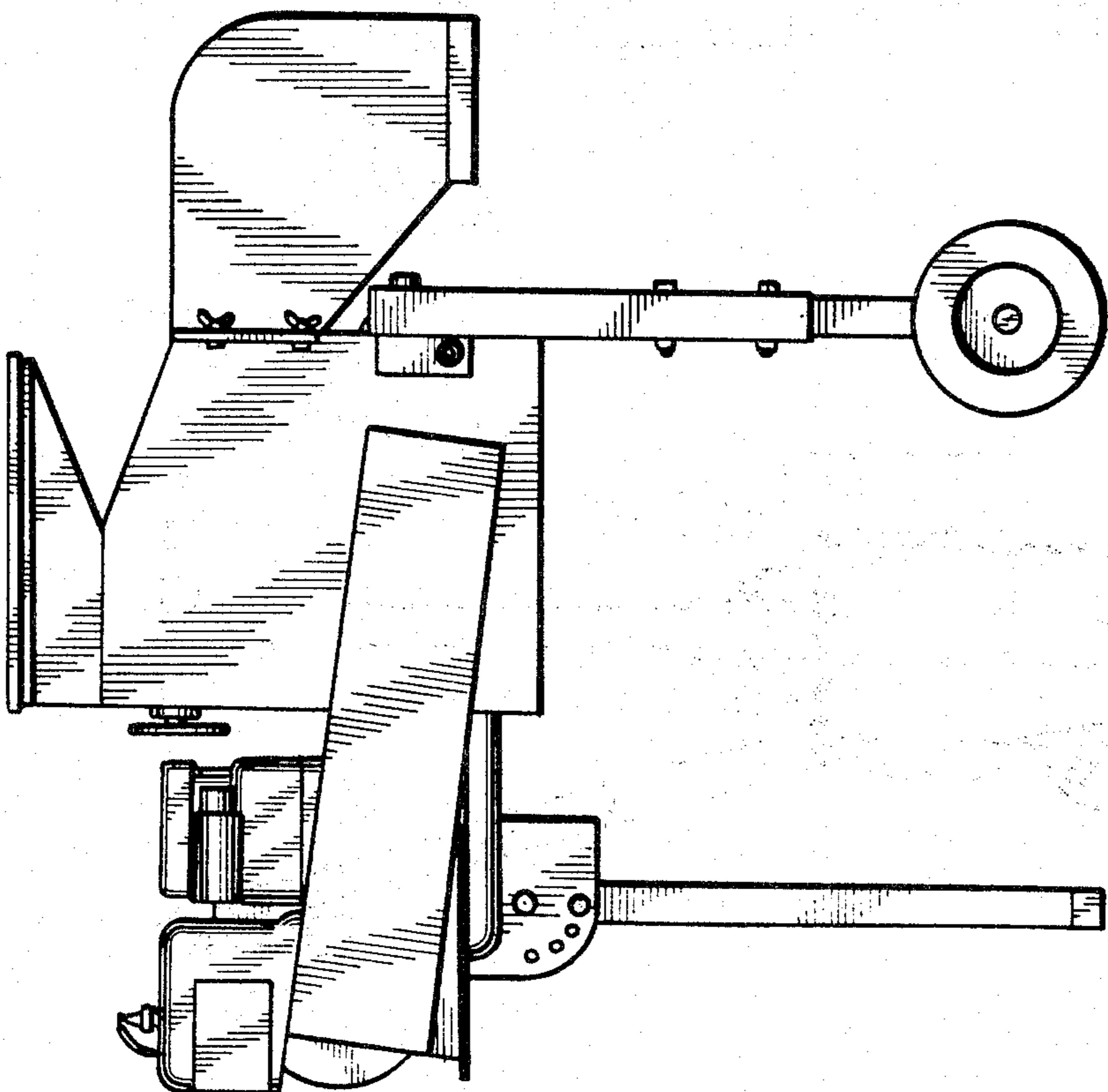


FIG. 4

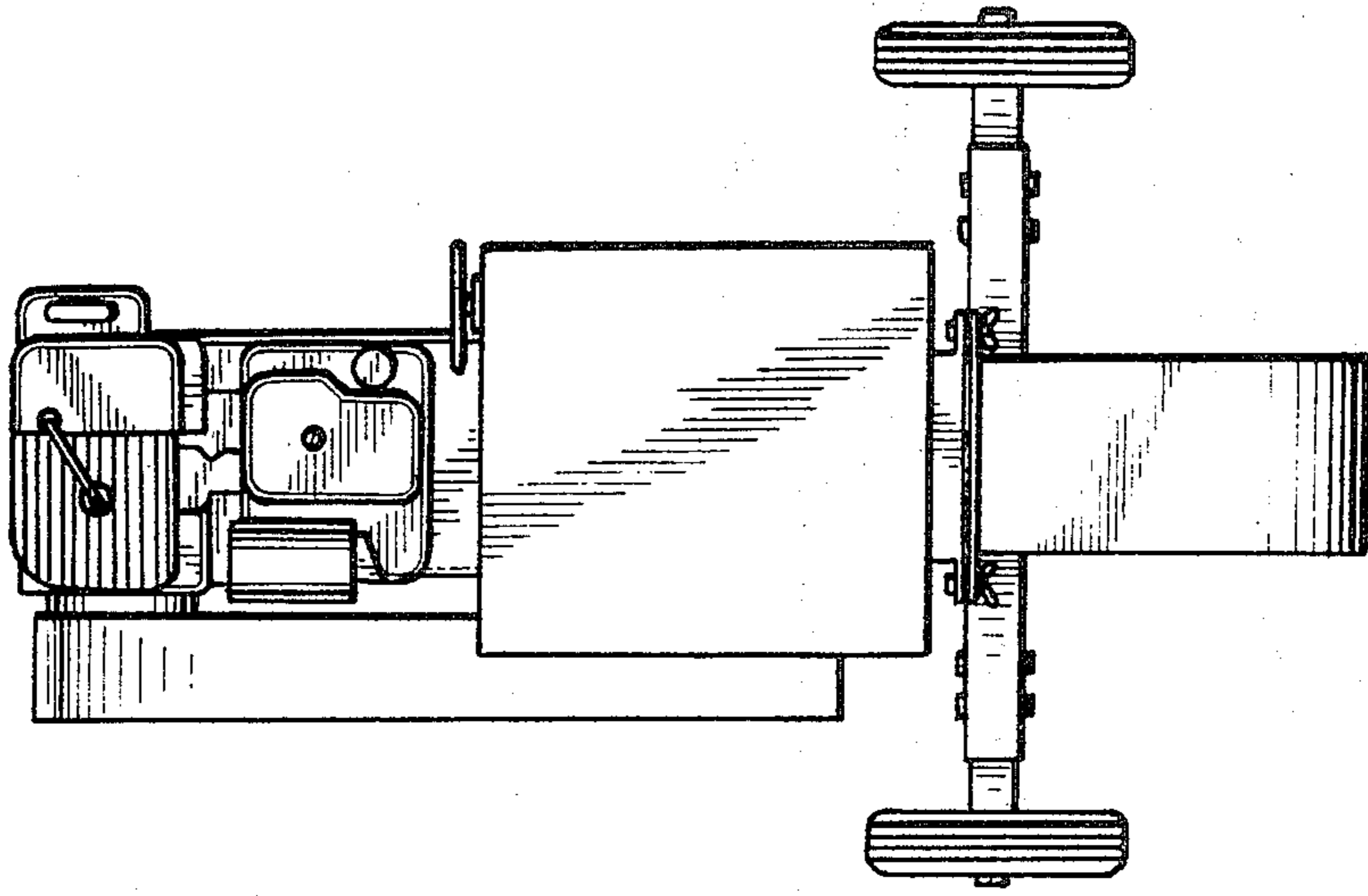


FIG. 5

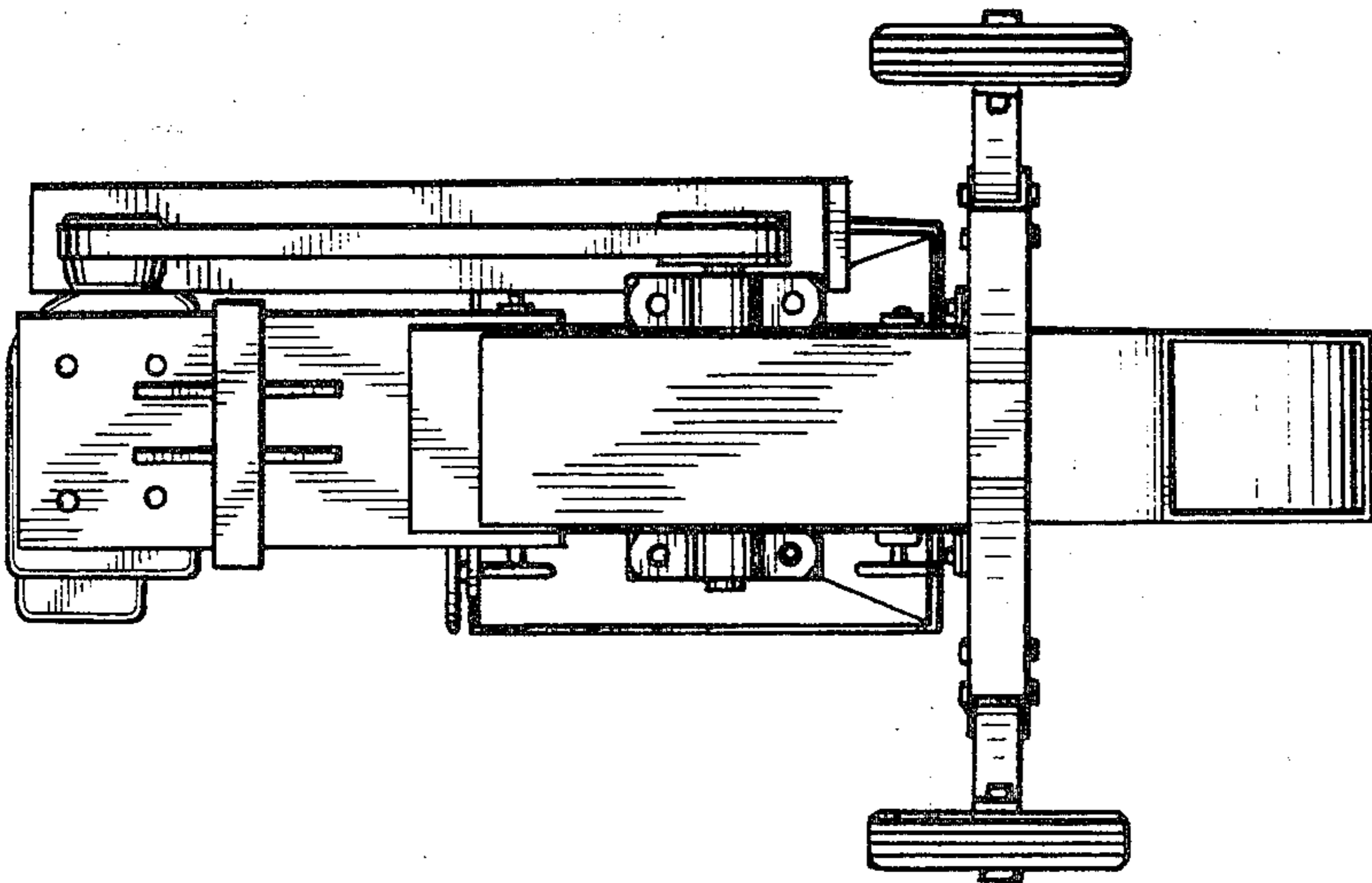


FIG. 6

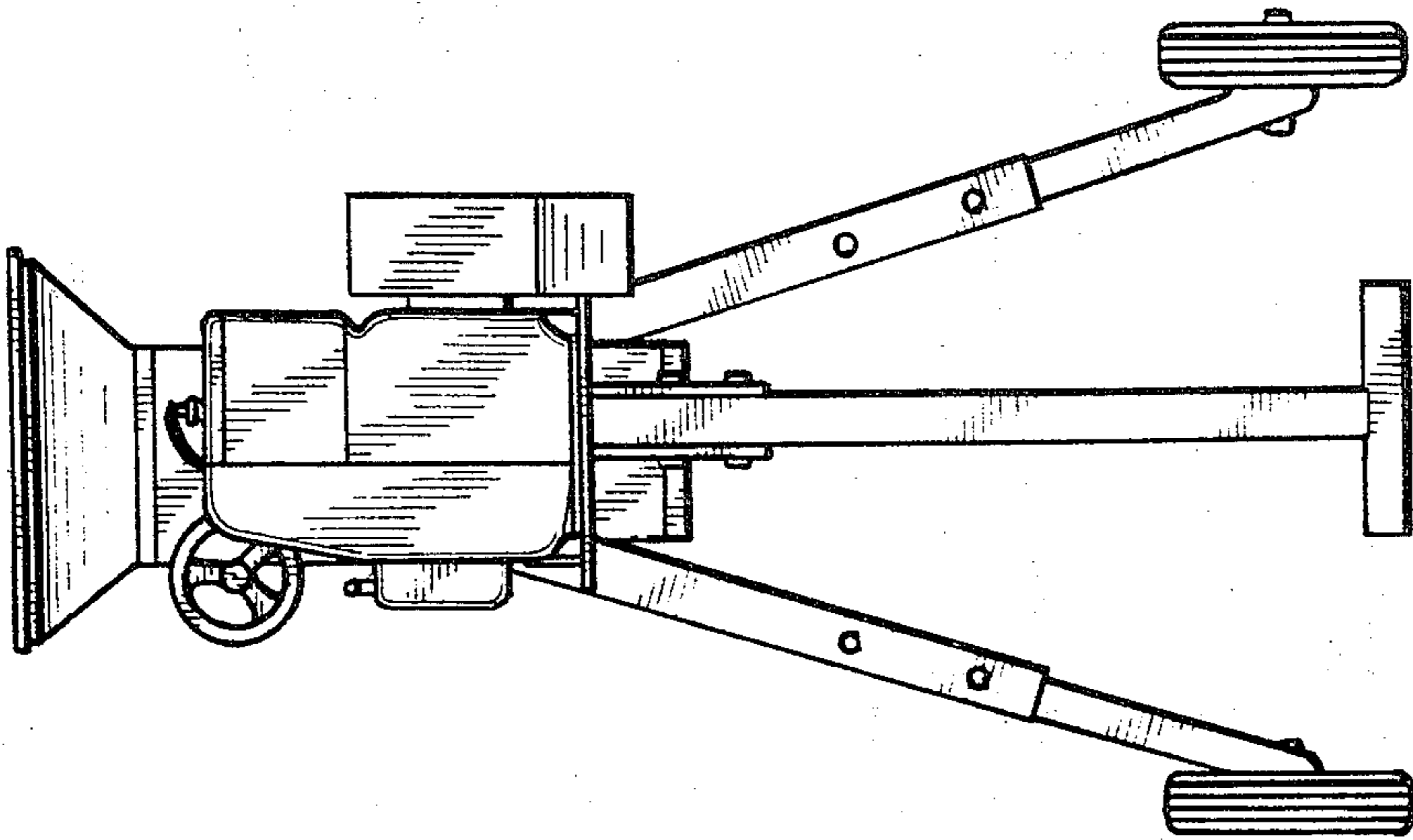


FIG. 7