

[54] CULTIVATING IMPLEMENT

[75] Inventor: Barry A. Linger, Harleston, England

[73] Assignee: Howard Machinery Limited, Harleston, England

[**] Term: 14 Years

[21] Appl. No.: 325,278

[22] Filed: Nov. 27, 1981

[30] Foreign Application Priority Data

May 26, 1981 [GB] United Kingdom 1000662

[52] U.S. Cl. D15/27

[58] Field of Search D15/27; 56/377; 172/595, 699, 166, 186, 439, 445.2, 693

[56] References Cited

U.S. PATENT DOCUMENTS

3,115,192 12/1963 Bushmeyer 172/166

3,576,215 4/1971 Cline 172/445.2

4,036,305 7/1977 Kinzenbaw 172/693

FOREIGN PATENT DOCUMENTS

1574412 9/1980 United Kingdom .

2063632 6/1981 United Kingdom 172/699

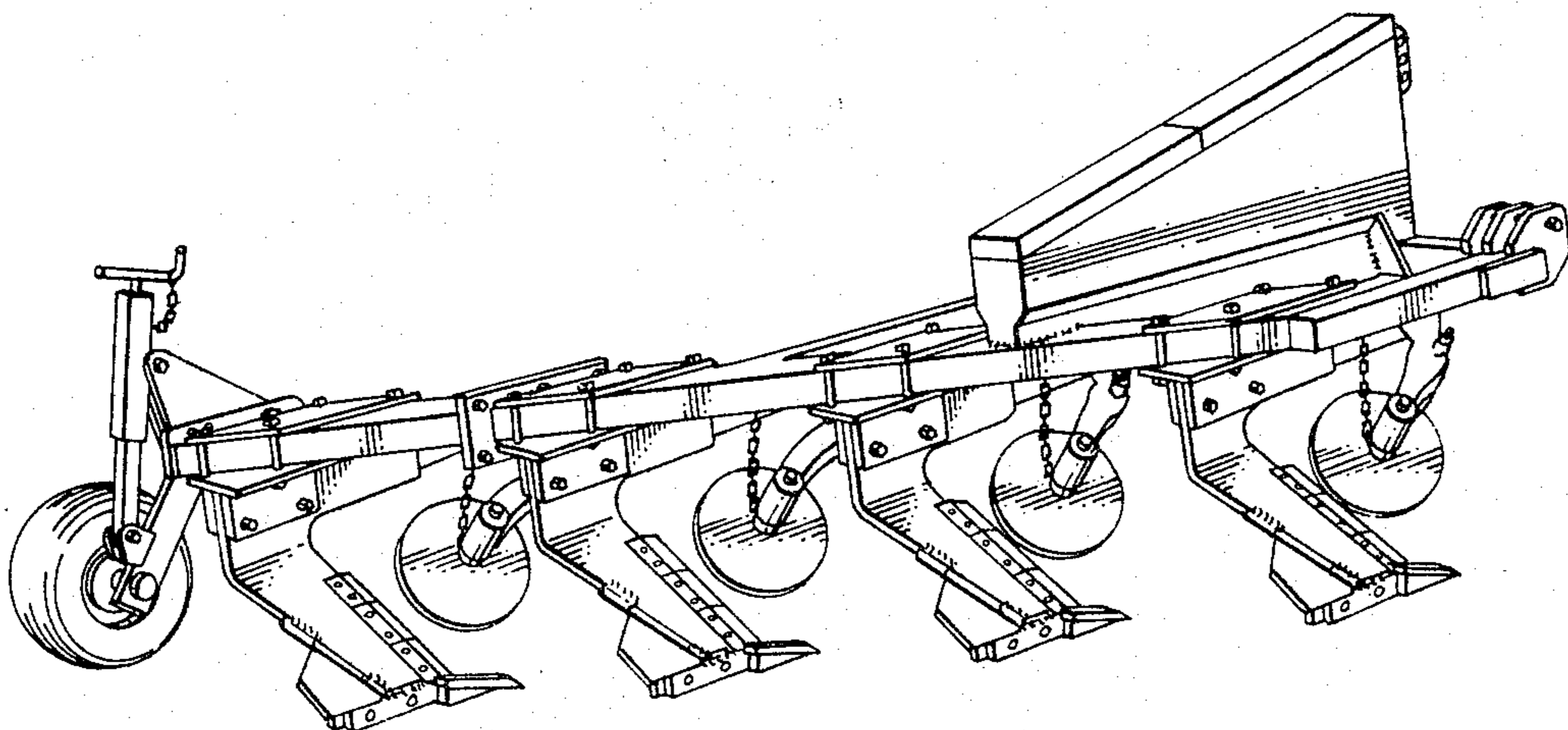
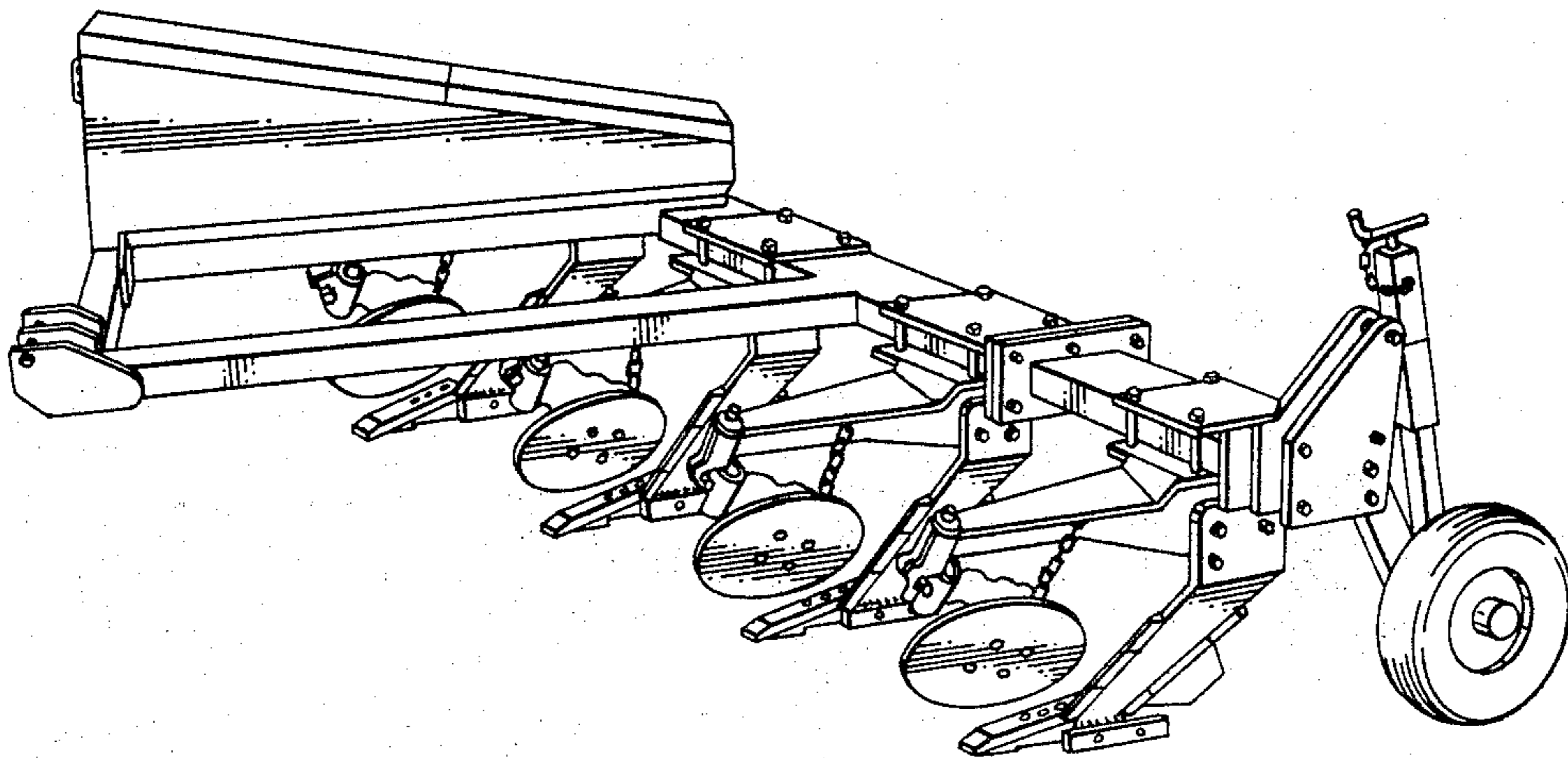
Primary Examiner—B. J. Bullock
Assistant Examiner—Suzanne N. Gitlin
Attorney, Agent, or Firm—Wood, Dalton, Phillips,
Mason & Rowe

[57] CLAIM

The ornamental design for a cultivating implement, as shown.

DESCRIPTION

FIG. 1 is a front and side perspective view of a cultivating implement showing my new design;
FIG. 2 is a rear and opposite side perspective view thereof;
FIG. 3 is a front elevational view thereof; and
FIG. 4 is an enlarged fragmentary perspective view thereof.



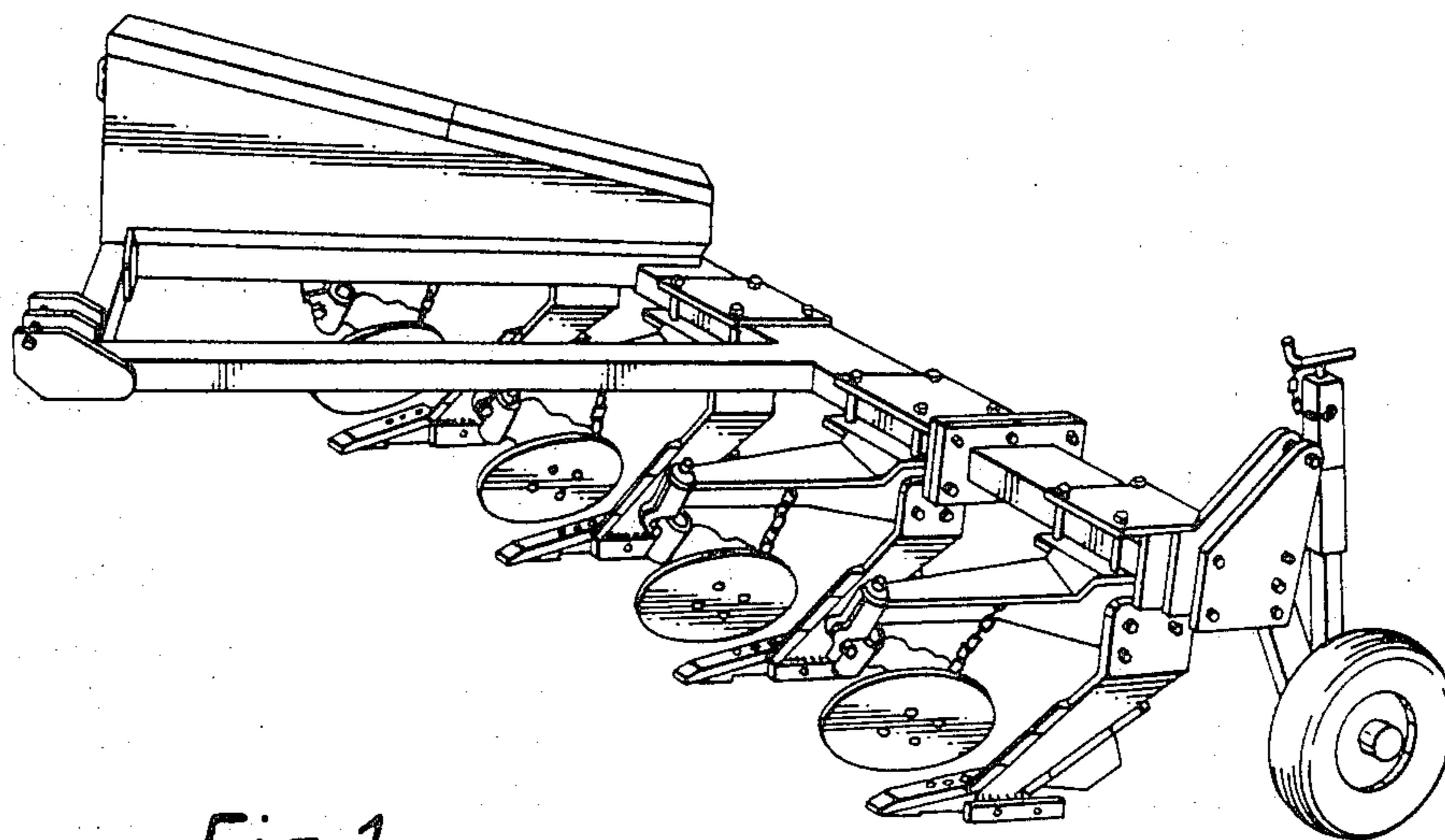


Fig. 1.

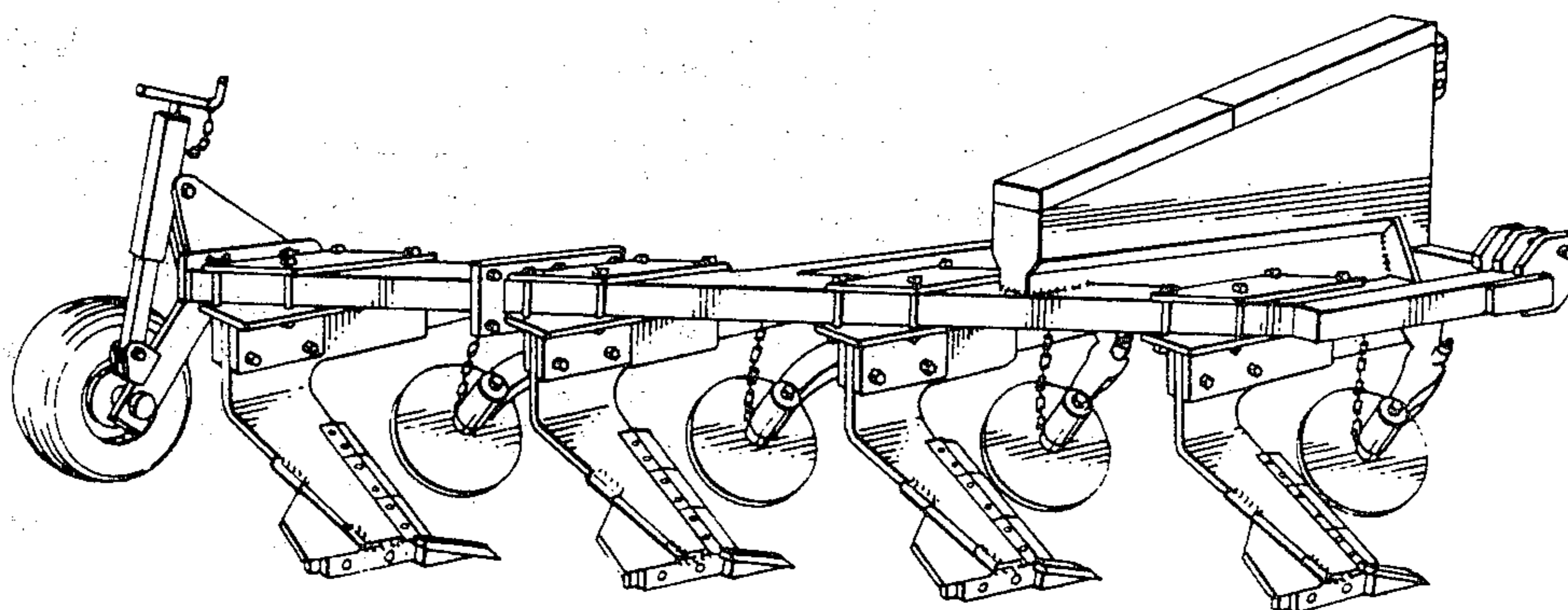


Fig. 2.

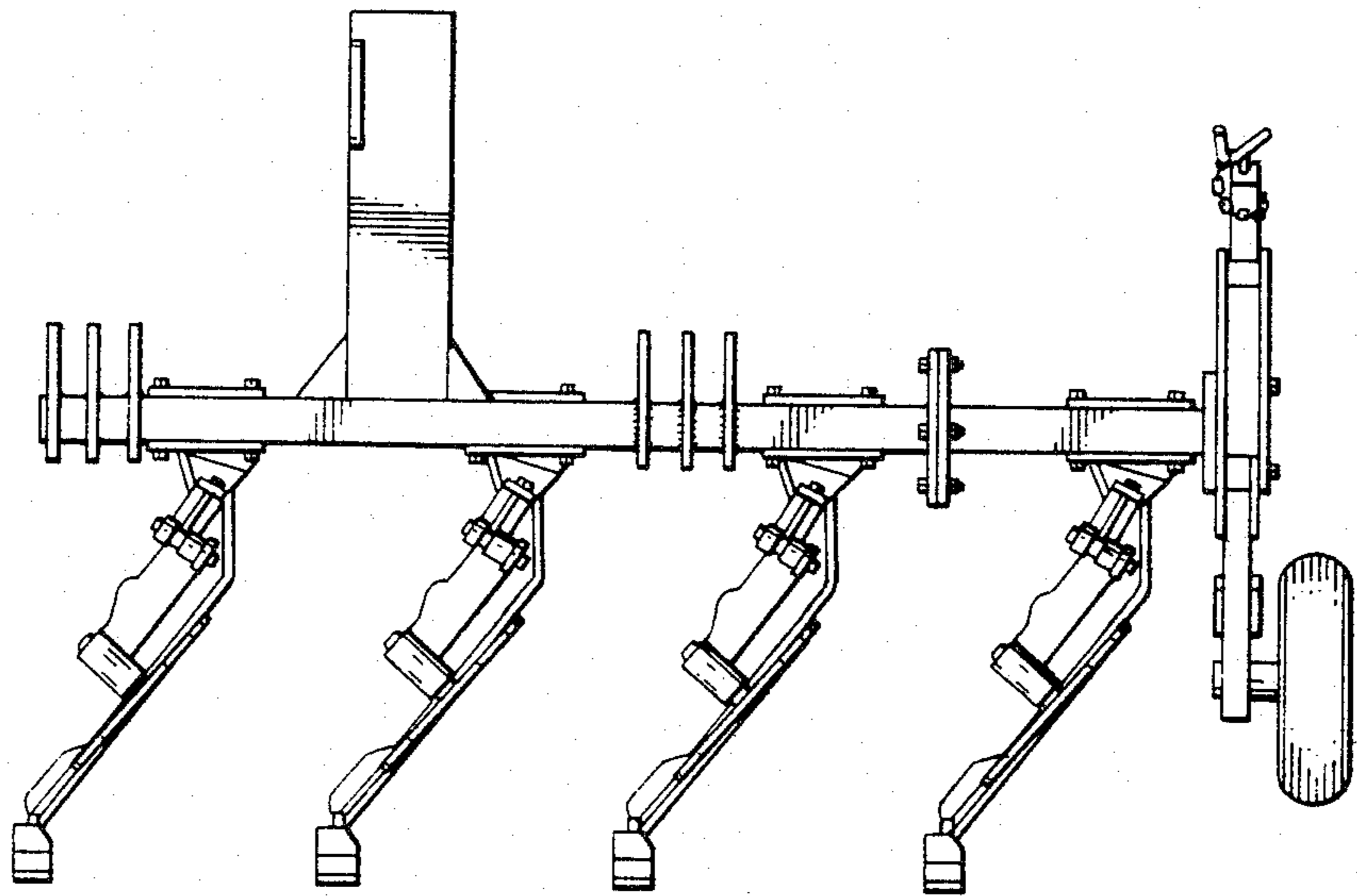


Fig. 3.

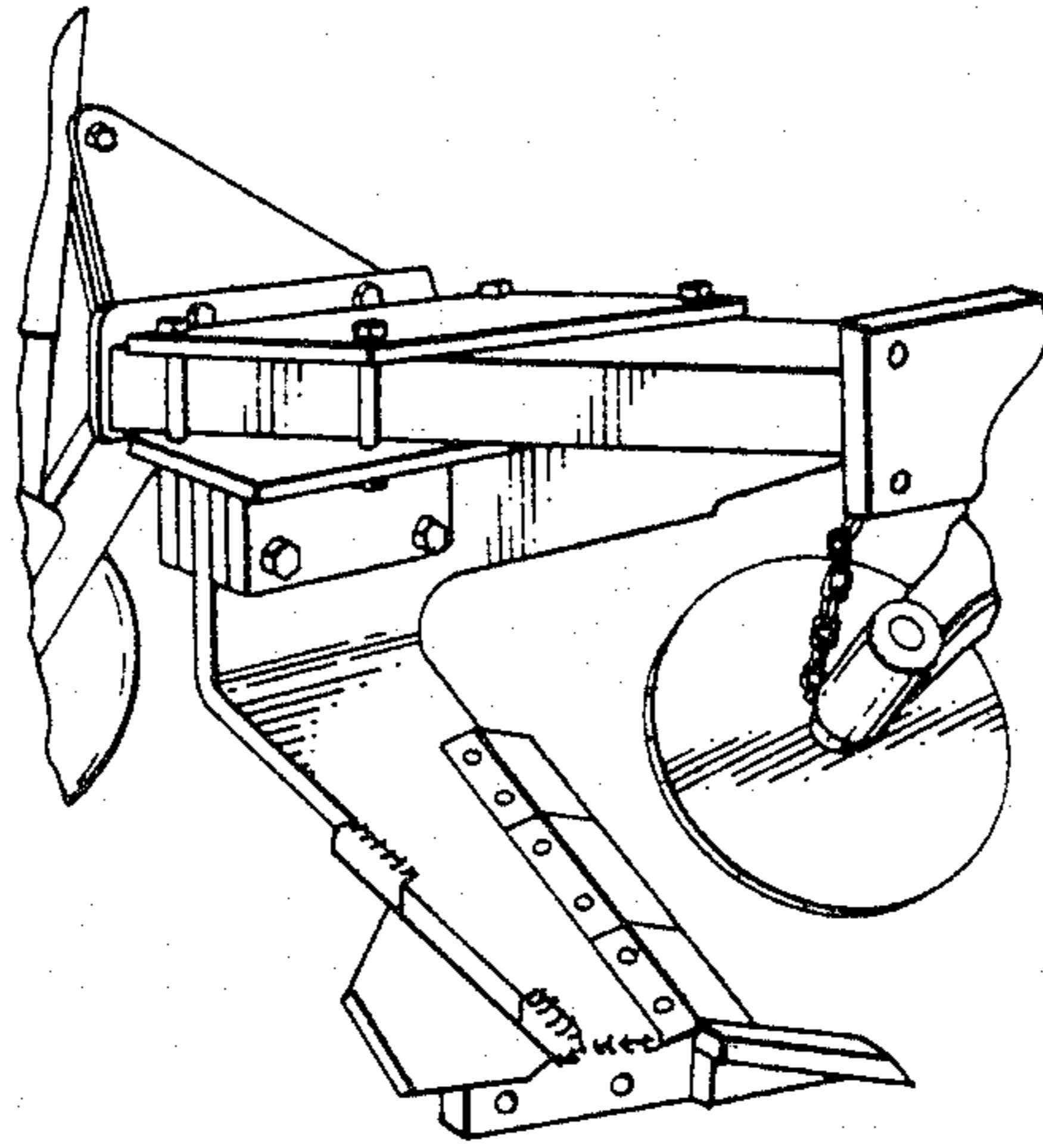


Fig. 4.