

[54] PAVEMENT SEALING MACHINE

[76] Inventor: Harold W. Neal, 112 Dunwoody Dr., Carrollton, Ga. 30117

[**] Term: 14 Years

[21] Appl. No.: 403,561

[22] Filed: Jul. 30, 1982

[52] U.S. Cl. D15/13; D15/22

[58] Field of Search D15/10, 13, 19, 27; D12/101, 102; 404/111, 101, 100, 83; 239/139, 150, 162

[56] References Cited

U.S. PATENT DOCUMENTS

D. 236,745	9/1975	Fuentes	D15/22
D. 267,800	2/1983	Tate	D15/13
2,589,256	3/1952	Horning	404/101
3,405,613	10/1968	Gustafson	D15/22
3,543,653	12/1970	Meadows	404/83
4,302,128	11/1981	Thatcher	404/111
4,315,700	2/1982	Heiligtag et al.	404/111

OTHER PUBLICATIONS

"Ken-Seal 160" Brochure of ErieGo Mfg., Inc.
Photo of ErieGo Ken-Seal Machine.
"Asphalt Paving and Maintenance Equipment" Brochure of ErieGo Manufacturing Co.

"SM-175 Sealer" Brochure of Neal Mfg. Co.
"Model DA-350 Dual Applicator" Brochure of Neal Mfg. Co.
"Asphalt Maintenance Machines" Brochure of Tateco, Inc.
"Ken-Seal 80" Brochure of ErieGo Manufacturing, Inc.
"The Original 10-A" Brochure of ErieGo Mfg., Inc.
"Tarconite Asphalt Sealcoating Equipment" Brochure of Neyra Industries, Inc.

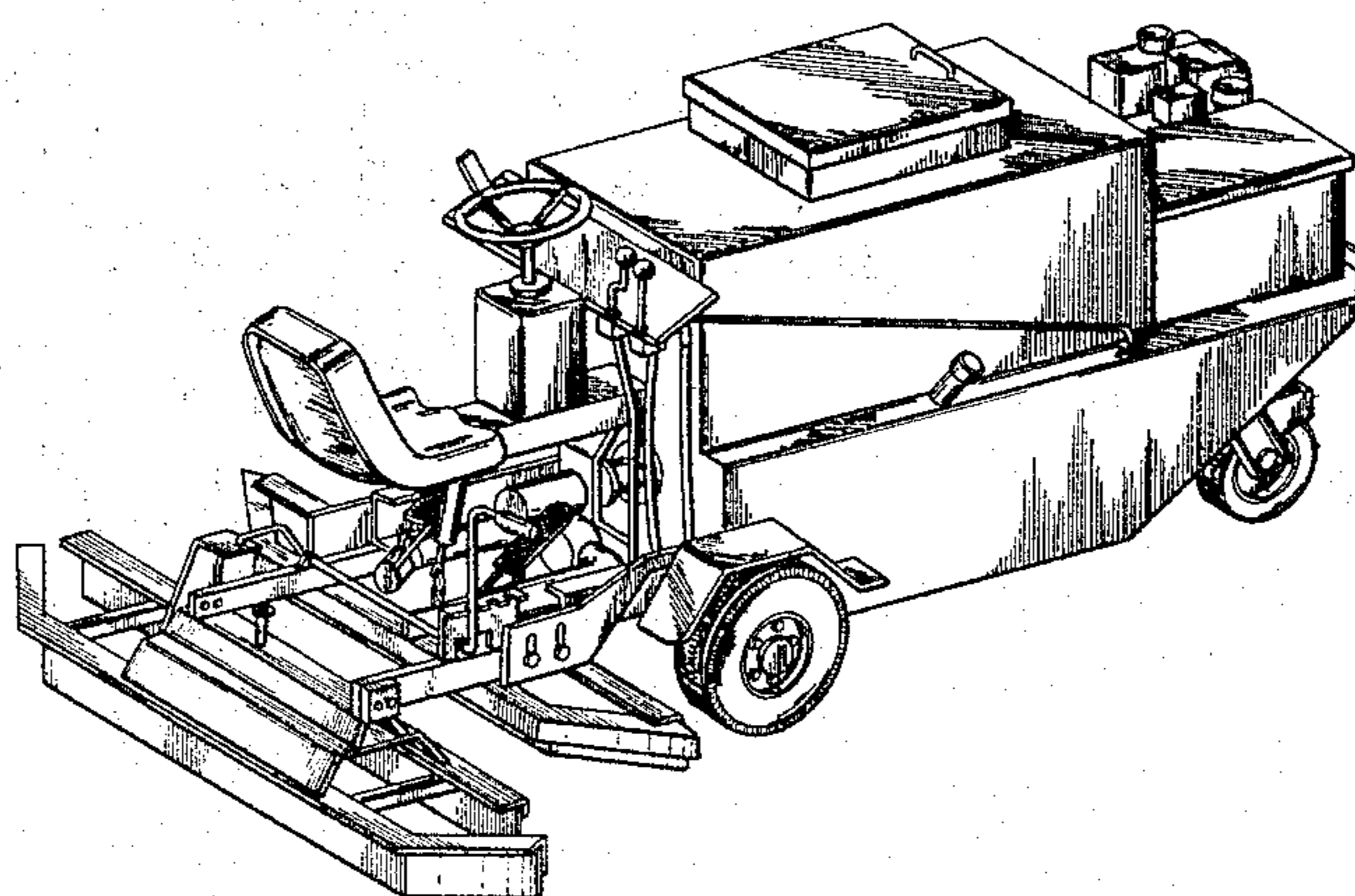
Primary Examiner—B. J. Bullock
Assistant Examiner—Suzanne N. Gitlin
Attorney, Agent, or Firm—Jones & Askew

[57] CLAIM

The ornamental design for the pavement sealing machine, substantially as shown.

DESCRIPTION

FIG. 1 is a perspective view of a pavement sealing machine showing my new design;
FIG. 2 is a side elevational view taken from the right of FIG. 1;
FIG. 3 is a side elevational view taken from the left of FIG. 1;
FIG. 4 is a top plan view thereof;
FIG. 5 is a front elevational view thereof;
FIG. 6 is a rear elevational view thereof.



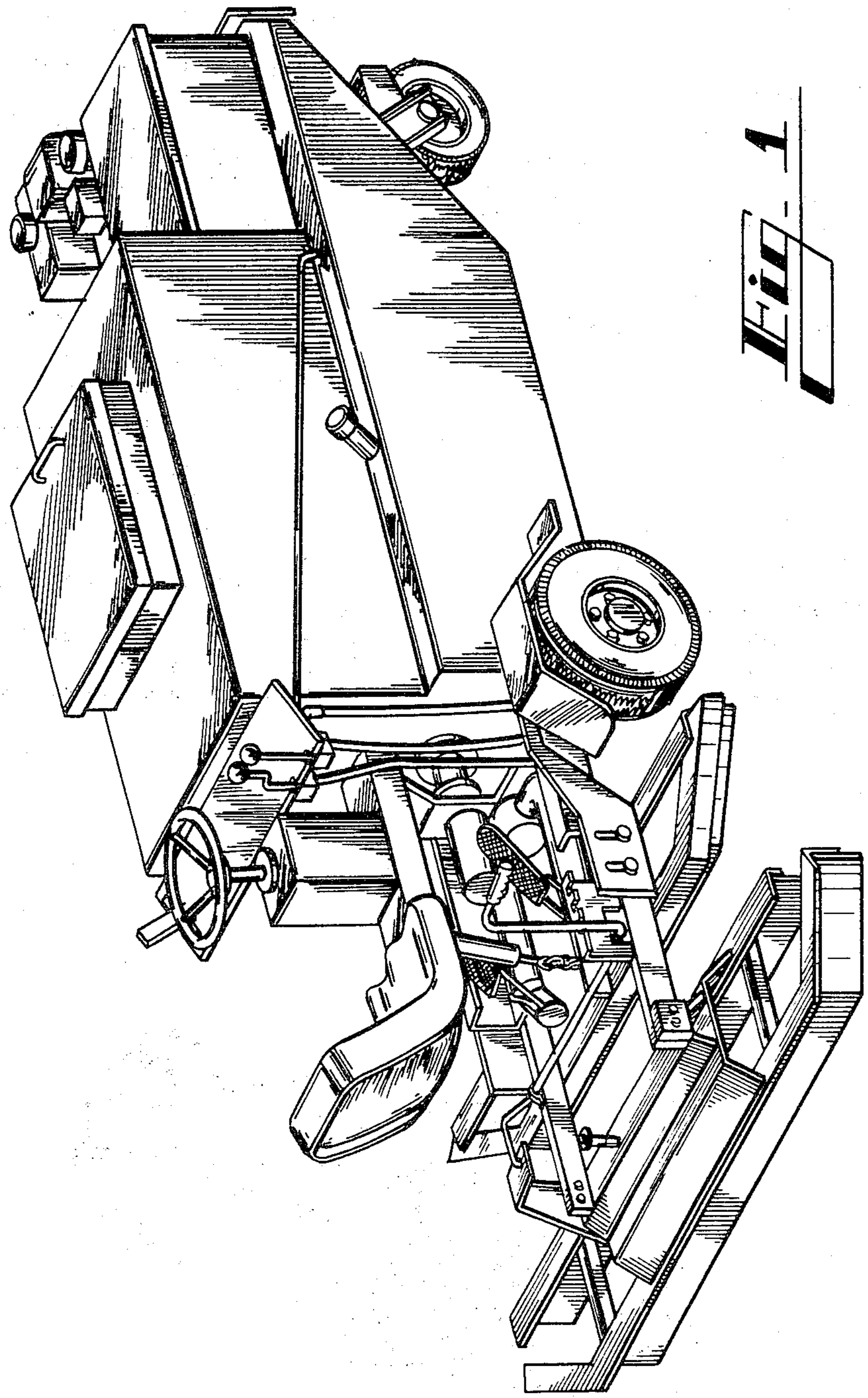


FIG. 1

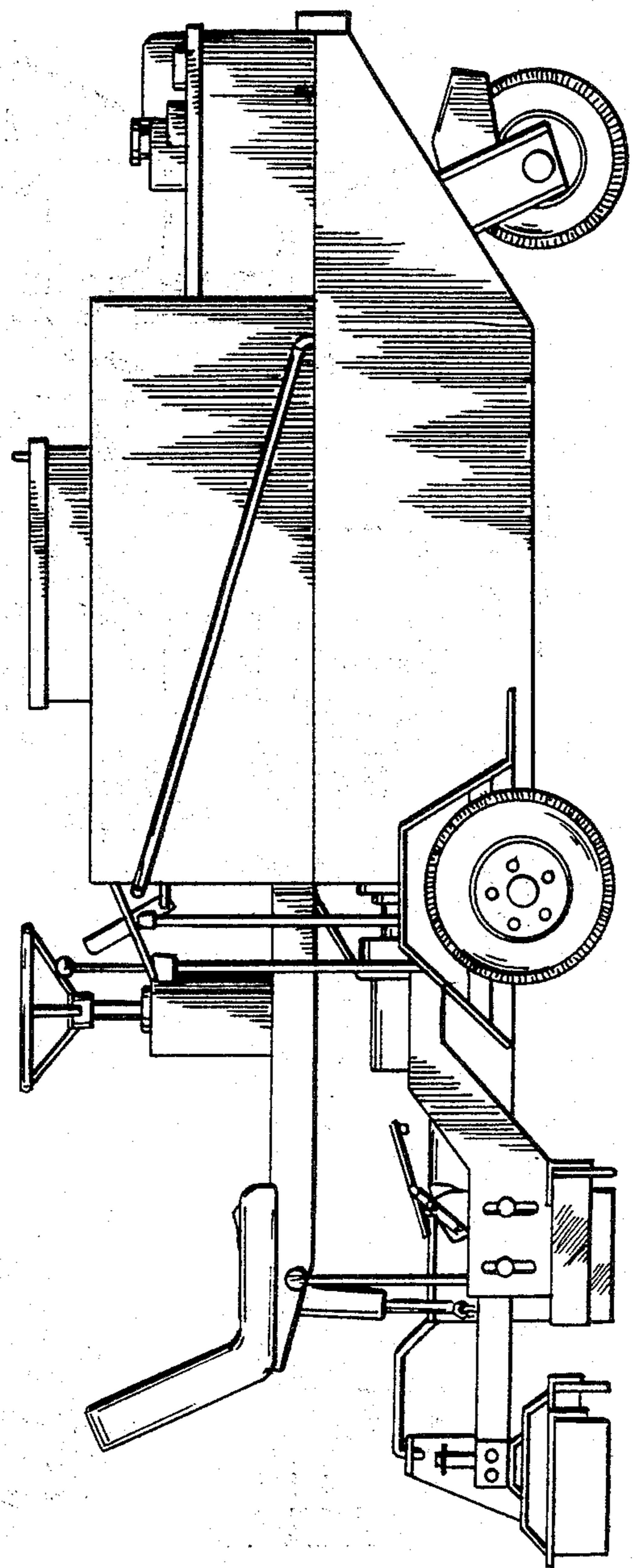


Fig. 2

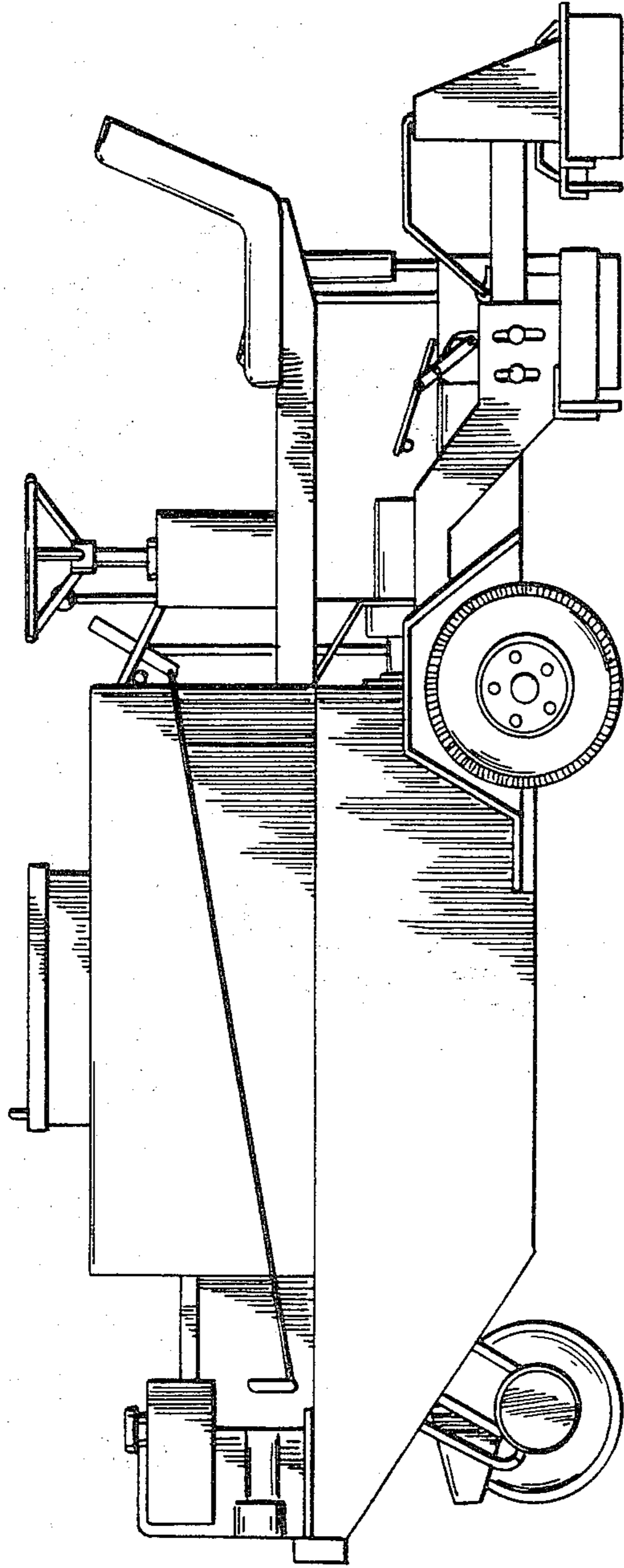


FIG. 3

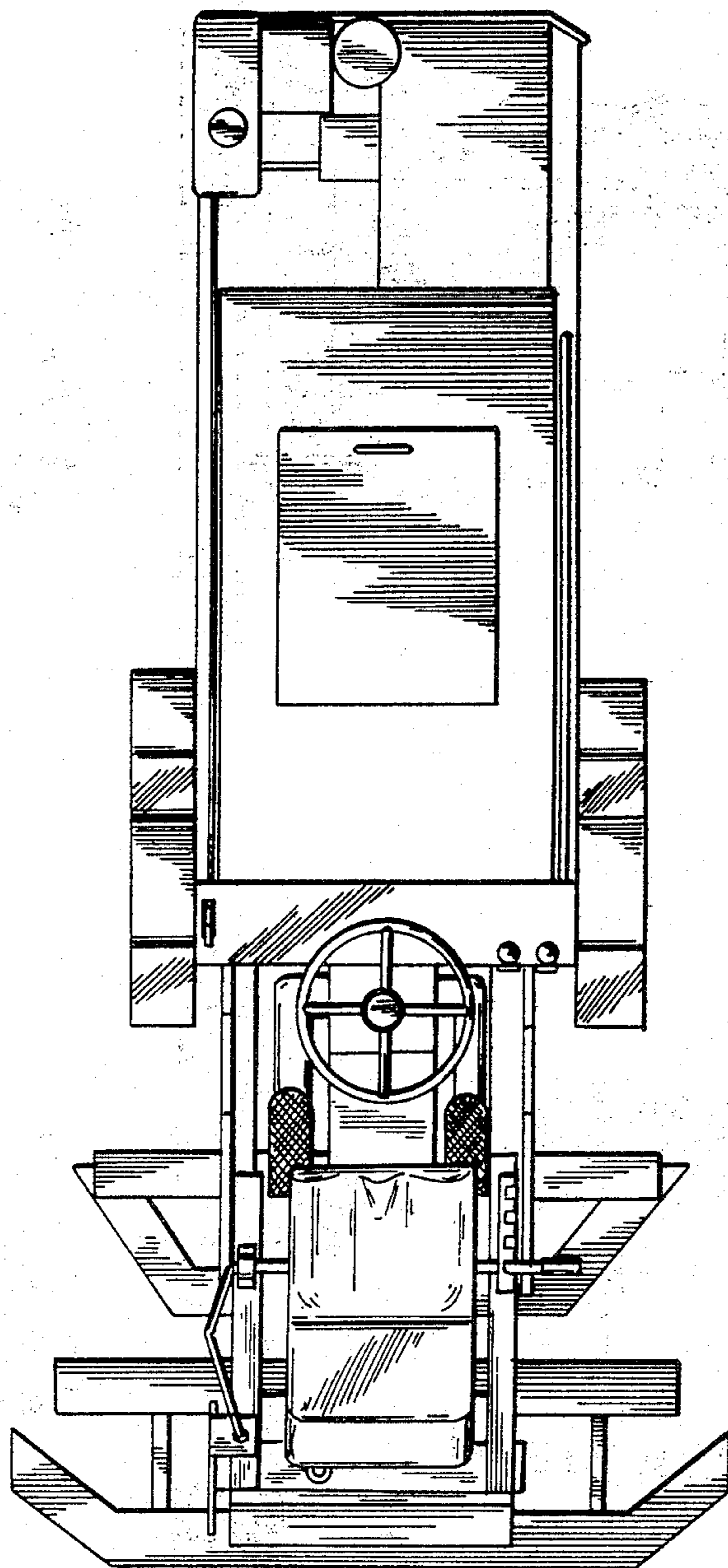


FIG. 4

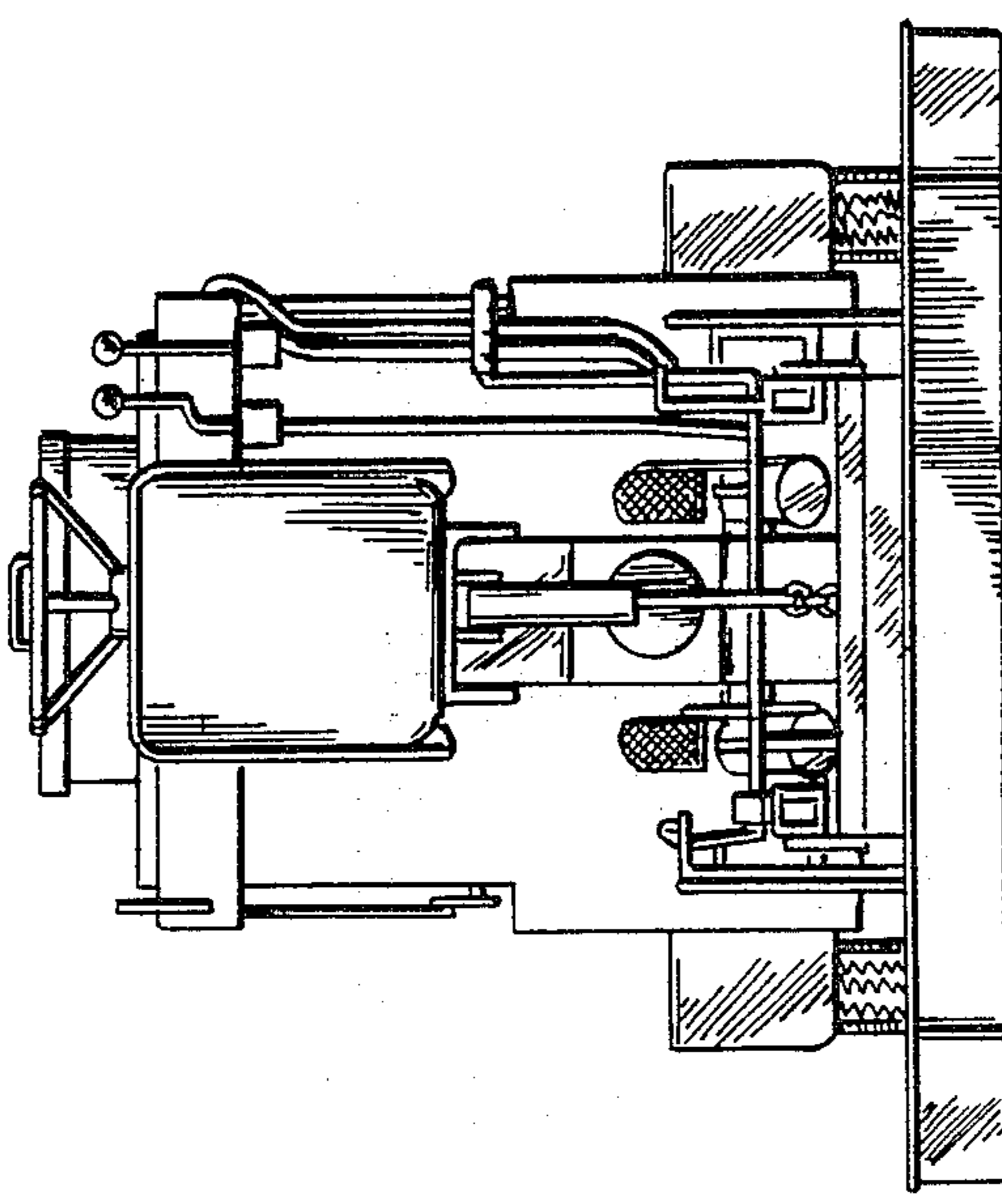


Fig. 6

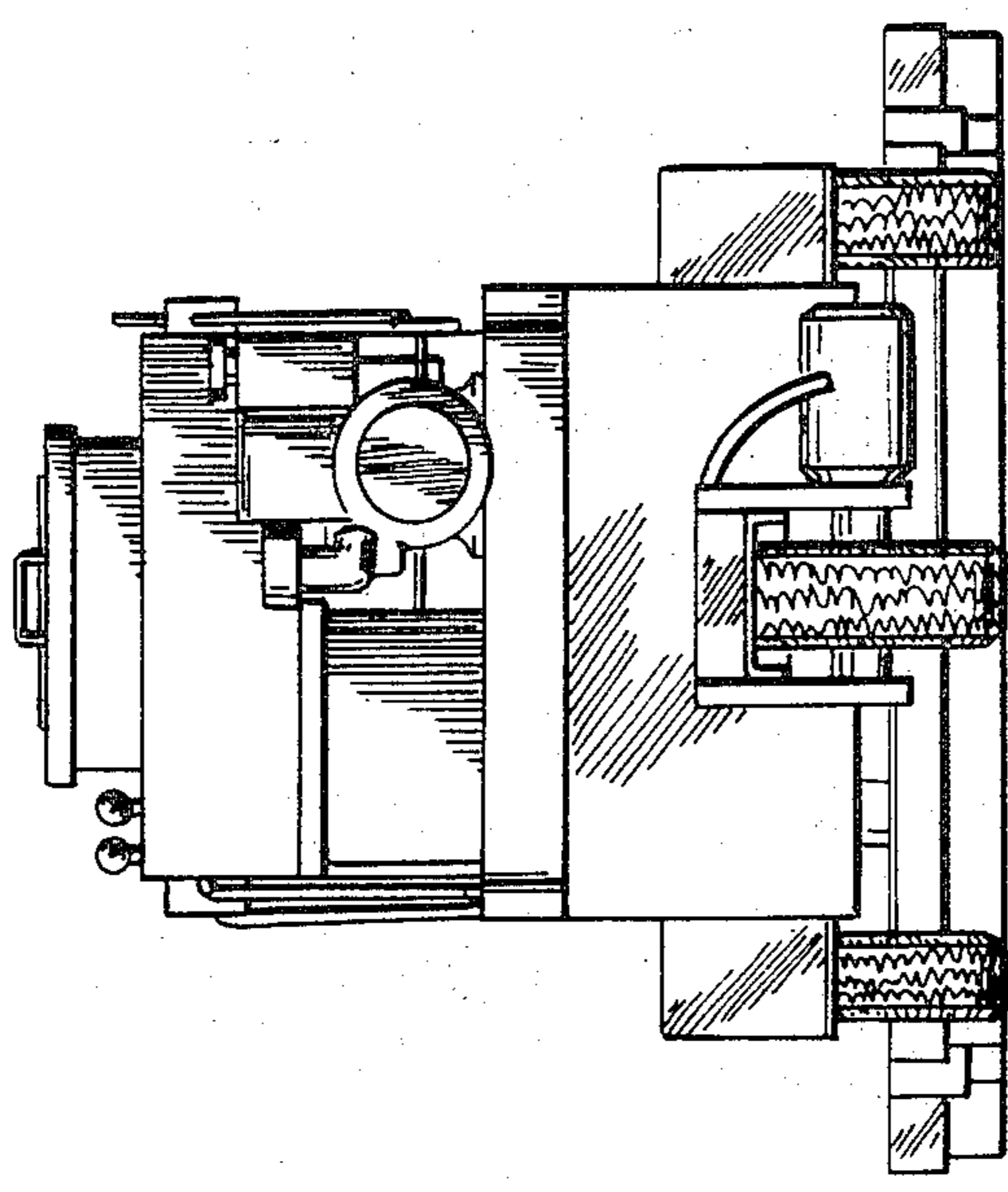


Fig. 5