

United States Patent [19]

Dresselhaus et al.

[11] Patent Number: **Des. 277,673**

[45] Date of Patent: **** Feb. 19, 1985**

[54] **COMPUTER**

[75] Inventors: **William F. Dresselhaus**, Redwood City; **Kenneth S. Campbell**, Mountain View; **Clive R. Twyman**, Fremont, all of Calif.; **Douglas C. Dayton**, Cambridge, Mass.

[73] Assignee: **Apple Computer, Inc.**, Cupertino, Calif.

[**] Term: **14 Years**

[21] Appl. No.: **387,029**

[22] Filed: **Jun. 10, 1982**

[52] U.S. Cl. **D14/106**

[58] Field of Search **D14/100-116;**
340/700, 711, 720

[56] **References Cited**

U.S. PATENT DOCUMENTS

D. 218,436 8/1970 Morgan et al. D14/108
D. 227,256 6/1973 Conway et al. D14/106

D. 227,772 7/1973 Carroll et al. D14/100

OTHER PUBLICATIONS

Infosystems, 5-1980, p. 61, Burroughs Word Processor. Lanier® Super No Problem™ Typewriter Brochure © 1981, Word Processor.

Primary Examiner—Susan J. Lucas
Attorney, Agent, or Firm—Blakely, Sokoloff, Taylor & Zafman

[57] **CLAIM**

The ornamental design for a computer, substantially as shown.

DESCRIPTION

FIG. 1 is a perspective view of a computer showing our new design;

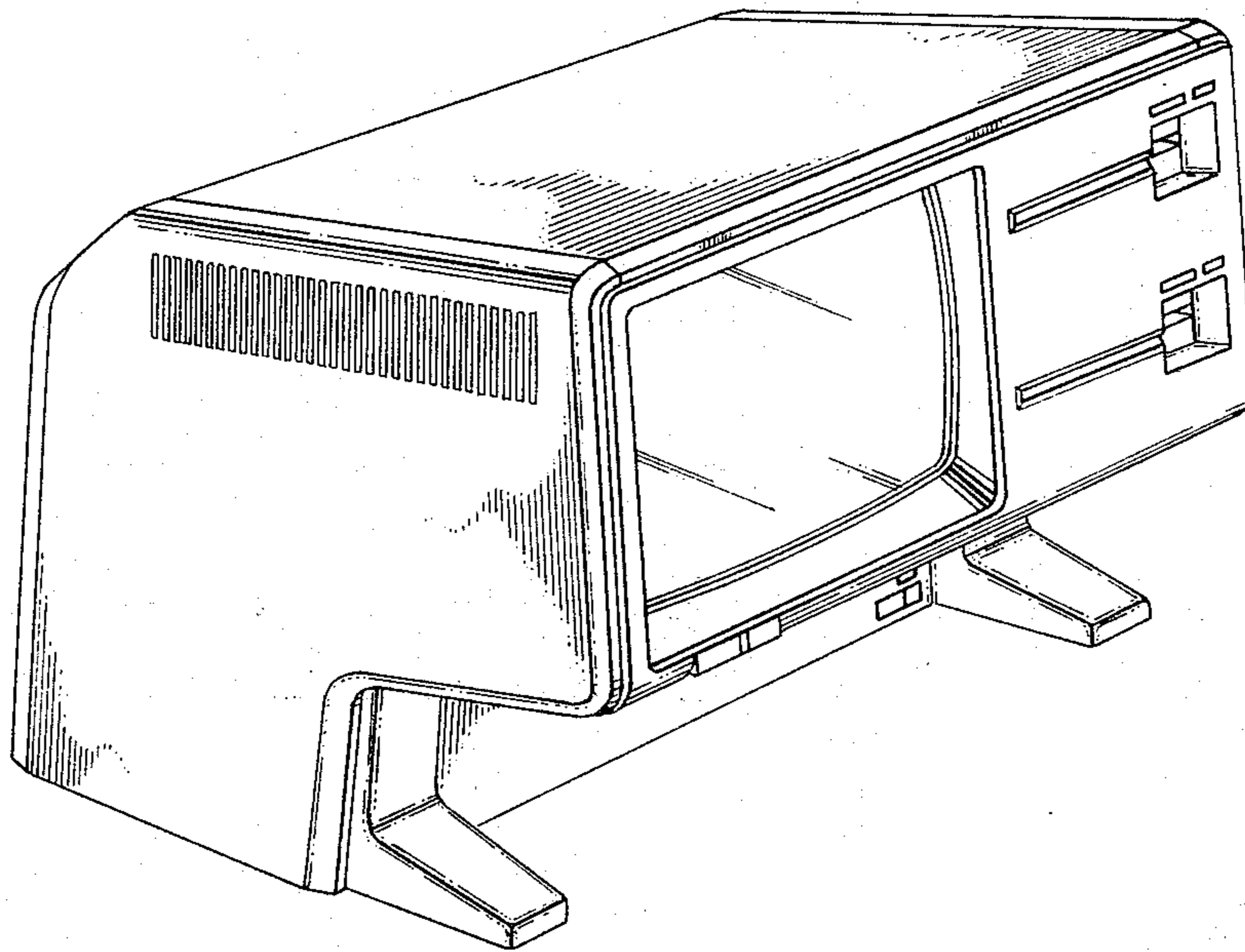
FIG. 2 is a front elevational view thereof;

FIG. 3 is a top plan view thereof;

FIG. 4 is a right side elevational view thereof;

FIG. 5 is a rear elevational view thereof; and,

FIG. 6 is a left side elevational view thereof.



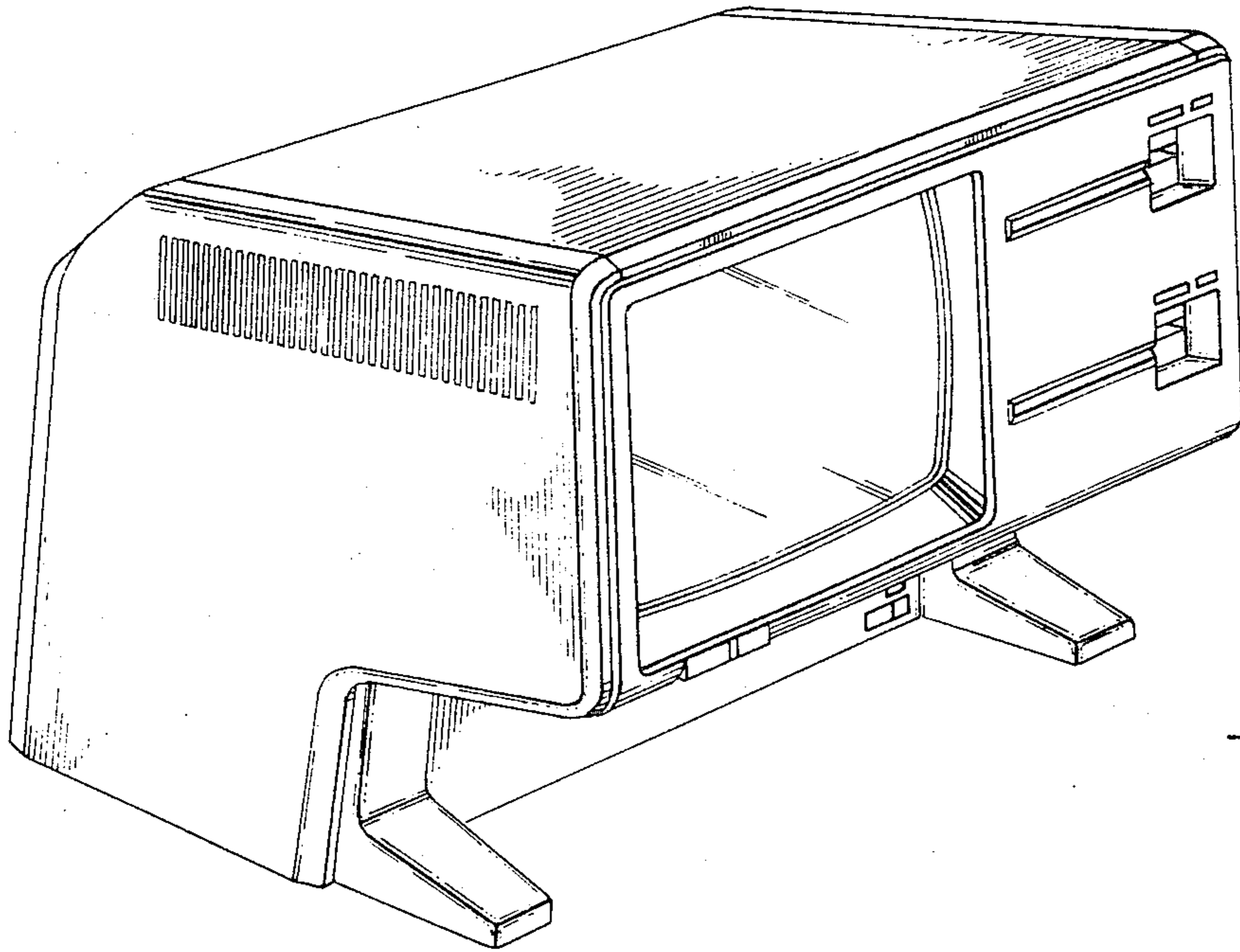


Fig. 1

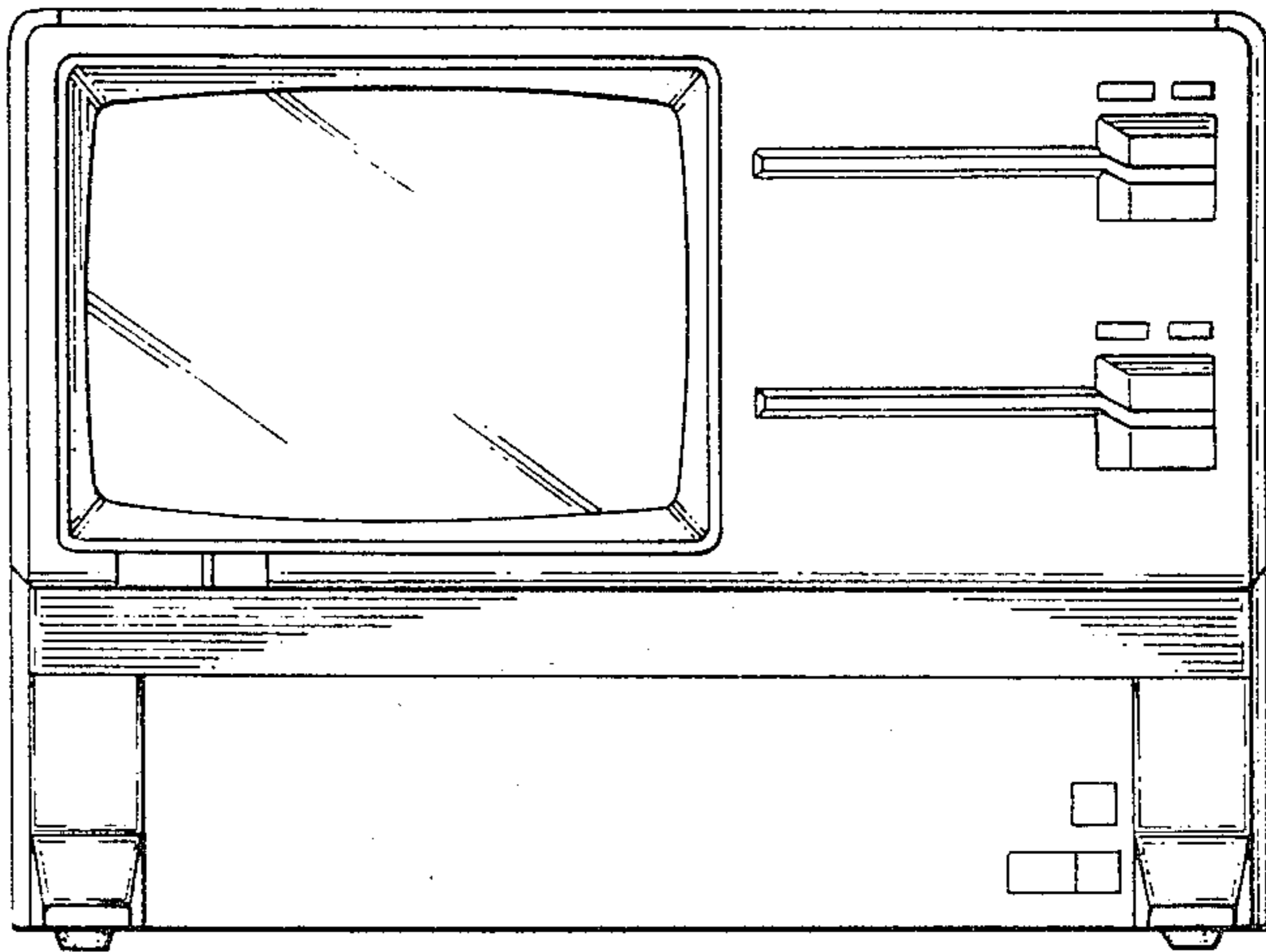


Fig. 2

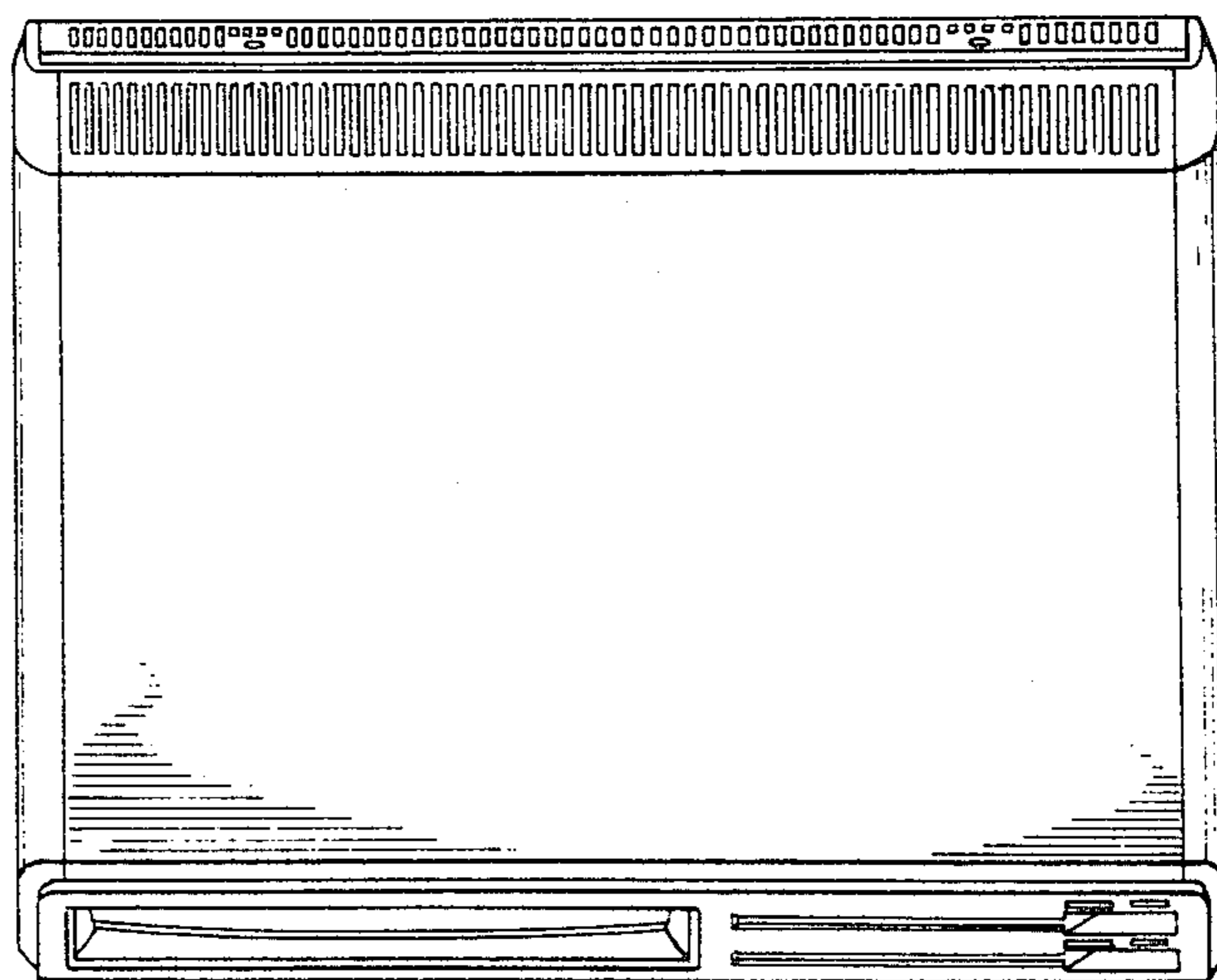


Fig. 3

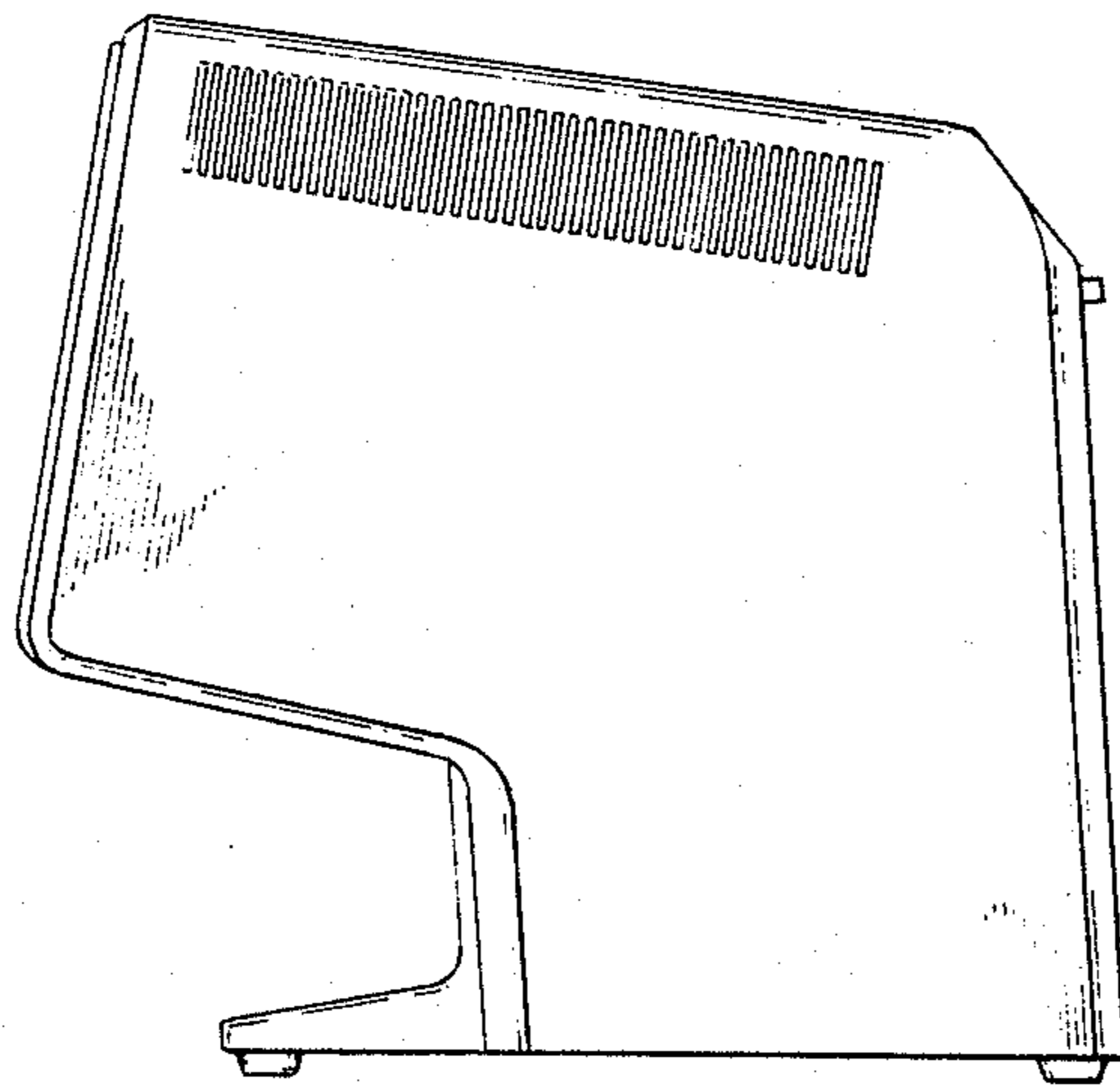


Fig. 4

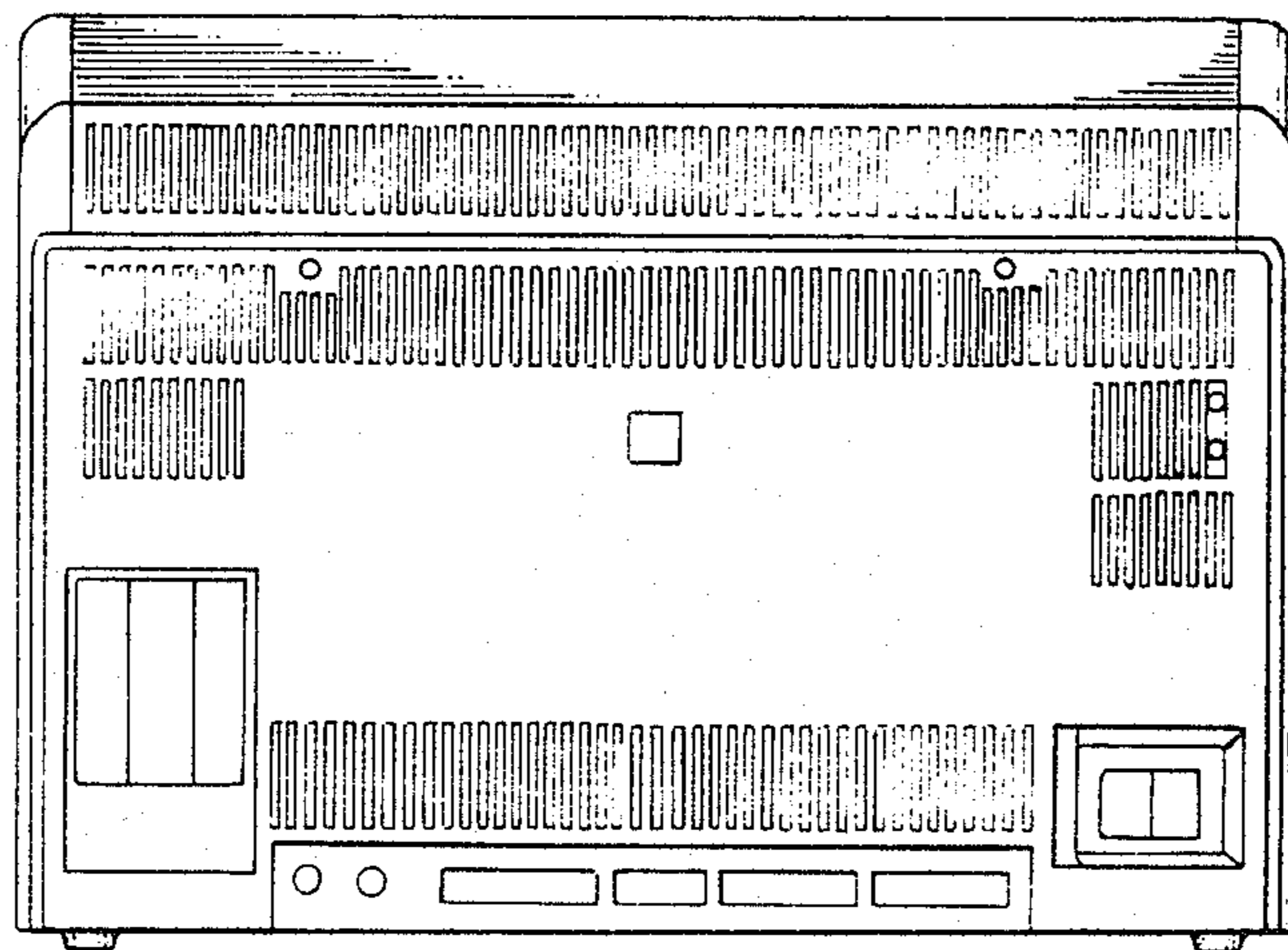


Fig. 5

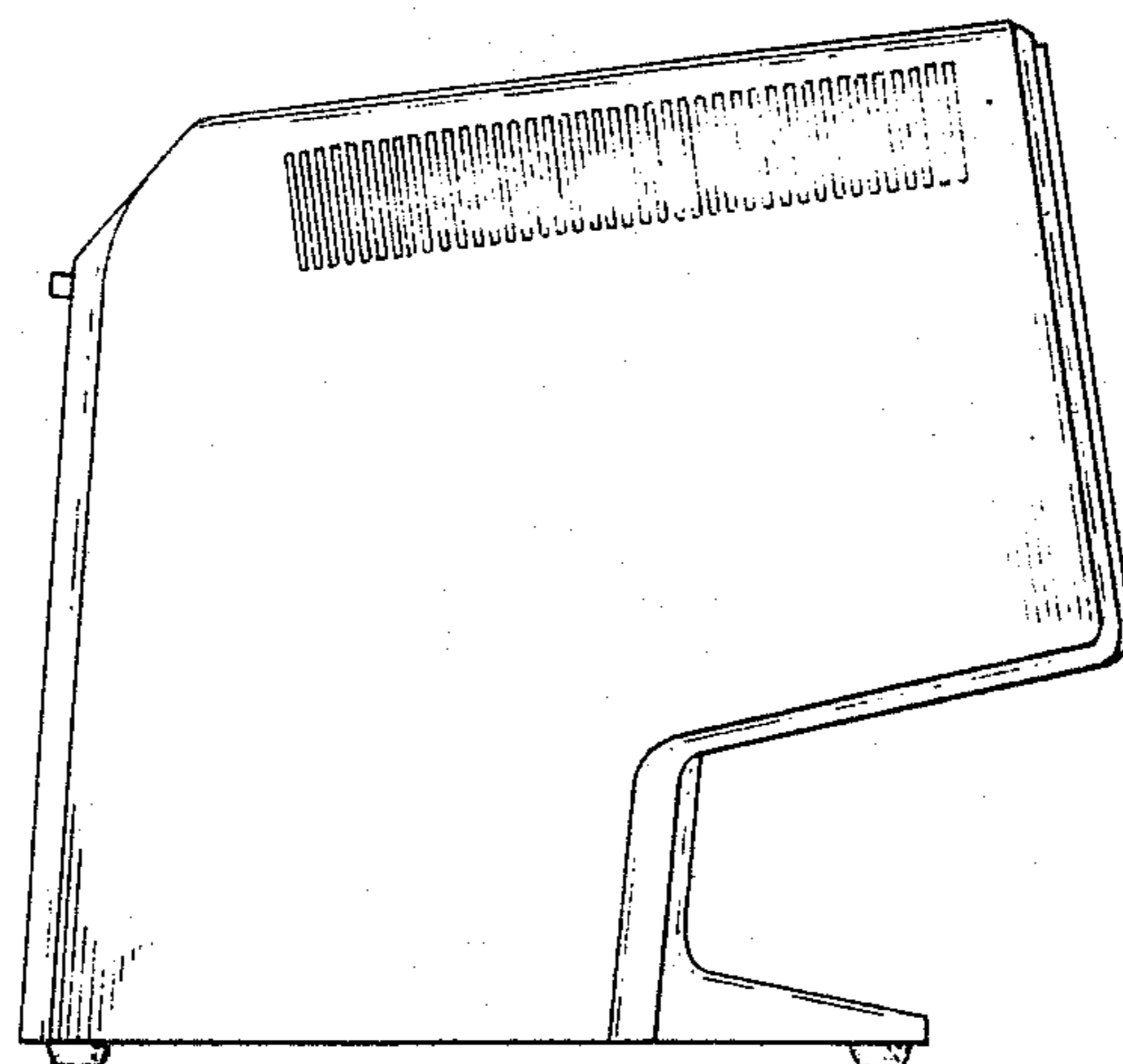


Fig. 6