

- [54] TELEPHONE BASE WITH EXTENDER
- [75] Inventors: Donald M. Genaro, Haworth, N.J.; Jerome M. Gotway; Norris R. Hall, both of Indianapolis, Ind.; John N. McGarvey, Drexel Hill, Pa.
- [73] Assignee: AT&T Bell Laboratories, Murray Hill, N.J.
- [**] Term: 14 Years
- [21] Appl. No.: 612,466
- [22] Filed: May 21, 1984

D. 265,401	7/1982	Genaro et al.	D14/60
D. 271,691	12/1983	Bhat et al.	D14/60
D. 271,872	12/1983	Janda	D14/61
D. 271,971	12/1983	Genaro et al.	D14/60
D. 272,441	1/1984	Carn	D14/60
3,849,608	11/1974	Bustus et al.	179/146 R

Primary Examiner—Wallace R. Burke
 Assistant Examiner—Horace B. Fay
 Attorney, Agent, or Firm—M. A. Morra

[57] CLAIM

The ornamental design for a telephone base with extender, substantially as shown and described.

DESCRIPTION

FIG. 1 is a top and side perspective view from above of a telephone base with extender showing our new design;
 FIG. 2 is a top plan view thereof;
 FIG. 3 is a right side elevational view thereof, the left side being identical;
 FIG. 4 is a bottom plan view thereof;
 FIG. 5 is an end elevational view, the end opposite being substantially identical;
 FIG. 6 is a rear, side and bottom perspective view of a second embodiment thereof, the only difference being that the base with extender is attached to an elevating stand for desk-mounted use; and
 FIG. 7 is a rear, side and bottom perspective view of a third embodiment thereof, the only difference being that the base with extender is attached to a stand-off base for wall-mounted use.

Related U.S. Application Data

- [62] Division of Ser. No. 455,888, Jan. 5, 1983.
- [52] U.S. Cl. D14/60; D14/59
- [58] Field of Search D14/53, 55, 56, 59, D14/60, 61, 62, 65; 179/179, 178, 100 R, 100 C, 100 D, 147, 146 R

References Cited

U.S. PATENT DOCUMENTS

D. 185,799	8/1959	Dreyfuss et al.	D14/55
D. 252,331	7/1979	Baase et al.	D14/60
D. 252,569	8/1979	Genaro et al.	D14/60
D. 252,570	8/1979	Genaro et al.	D14/60
D. 252,929	9/1979	Genaro et al.	D14/53
D. 253,344	11/1979	Genaro et al.	D14/60
D. 253,821	1/1980	Genaro et al.	D14/60
D. 262,211	12/1981	Janda	D14/60
D. 262,626	1/1982	Genaro et al.	D14/60

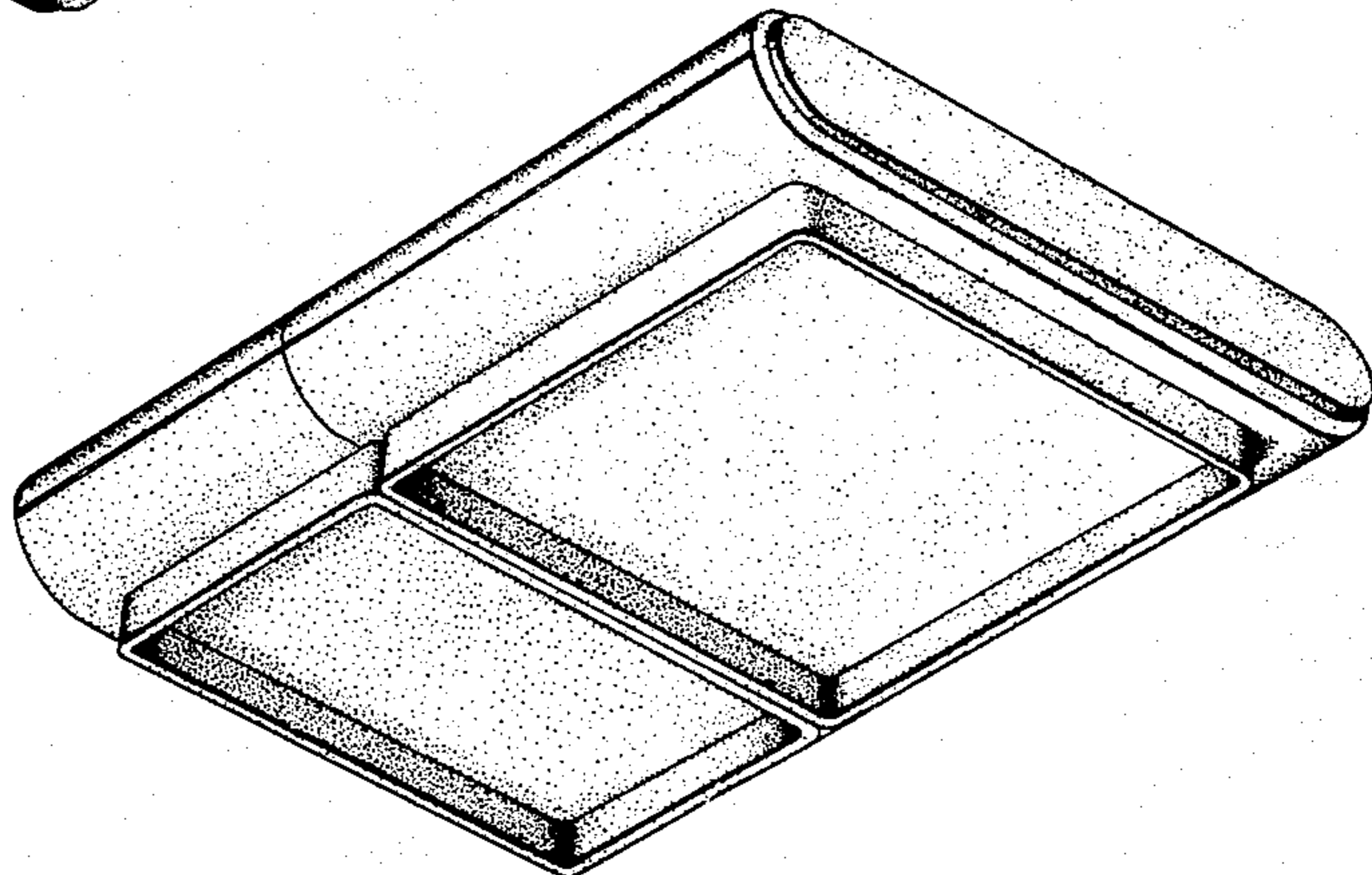
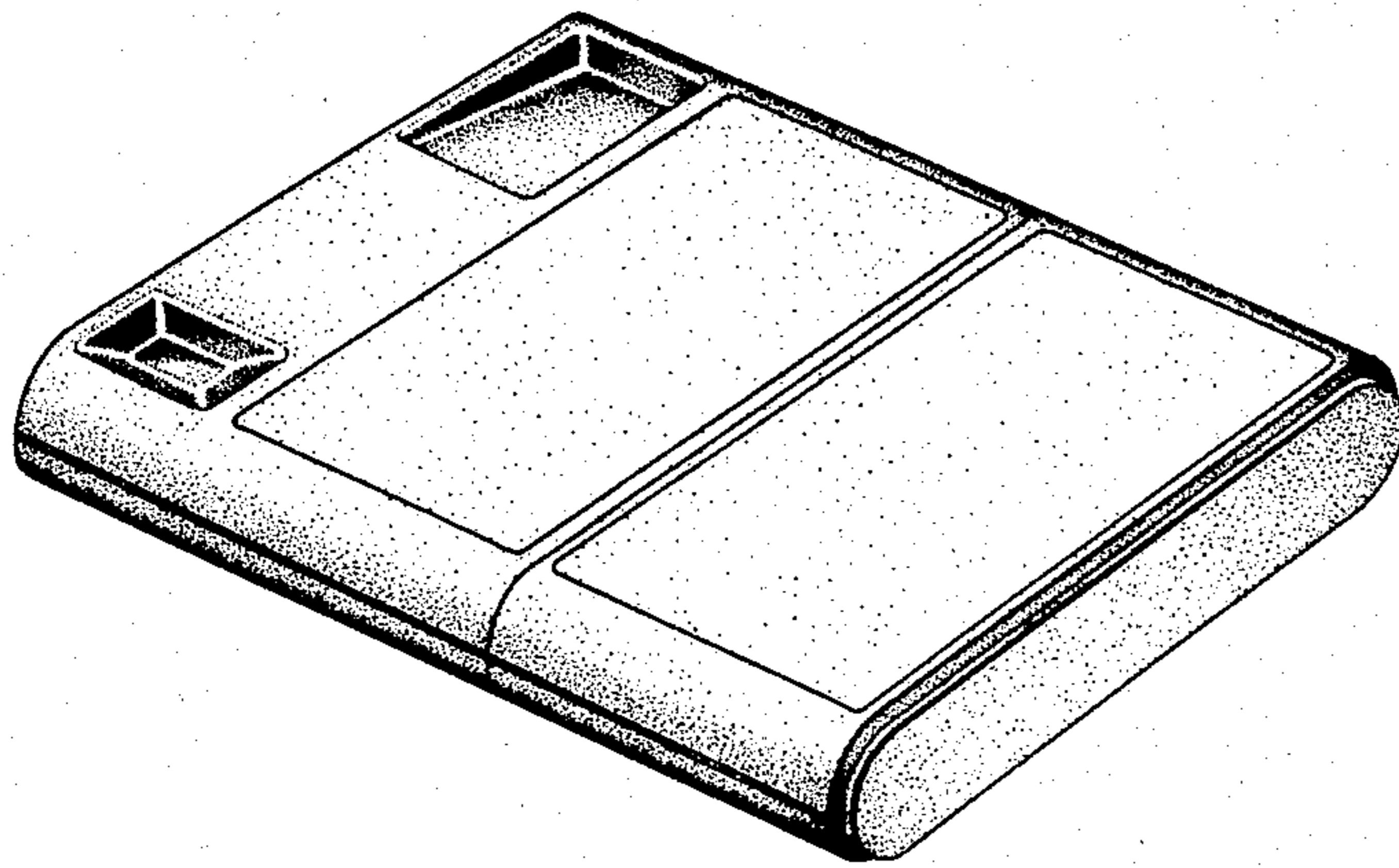


FIG. 1

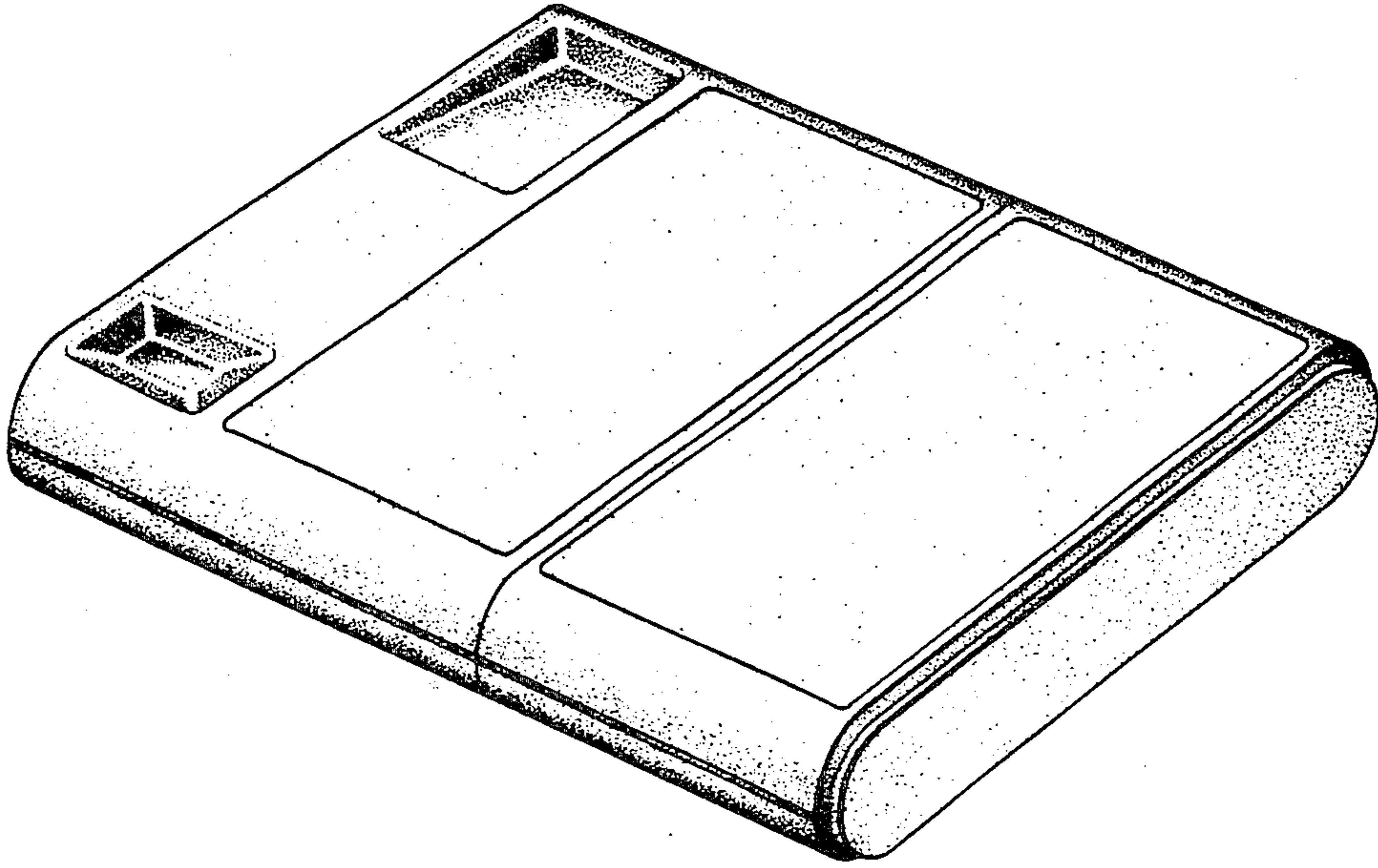


FIG. 2

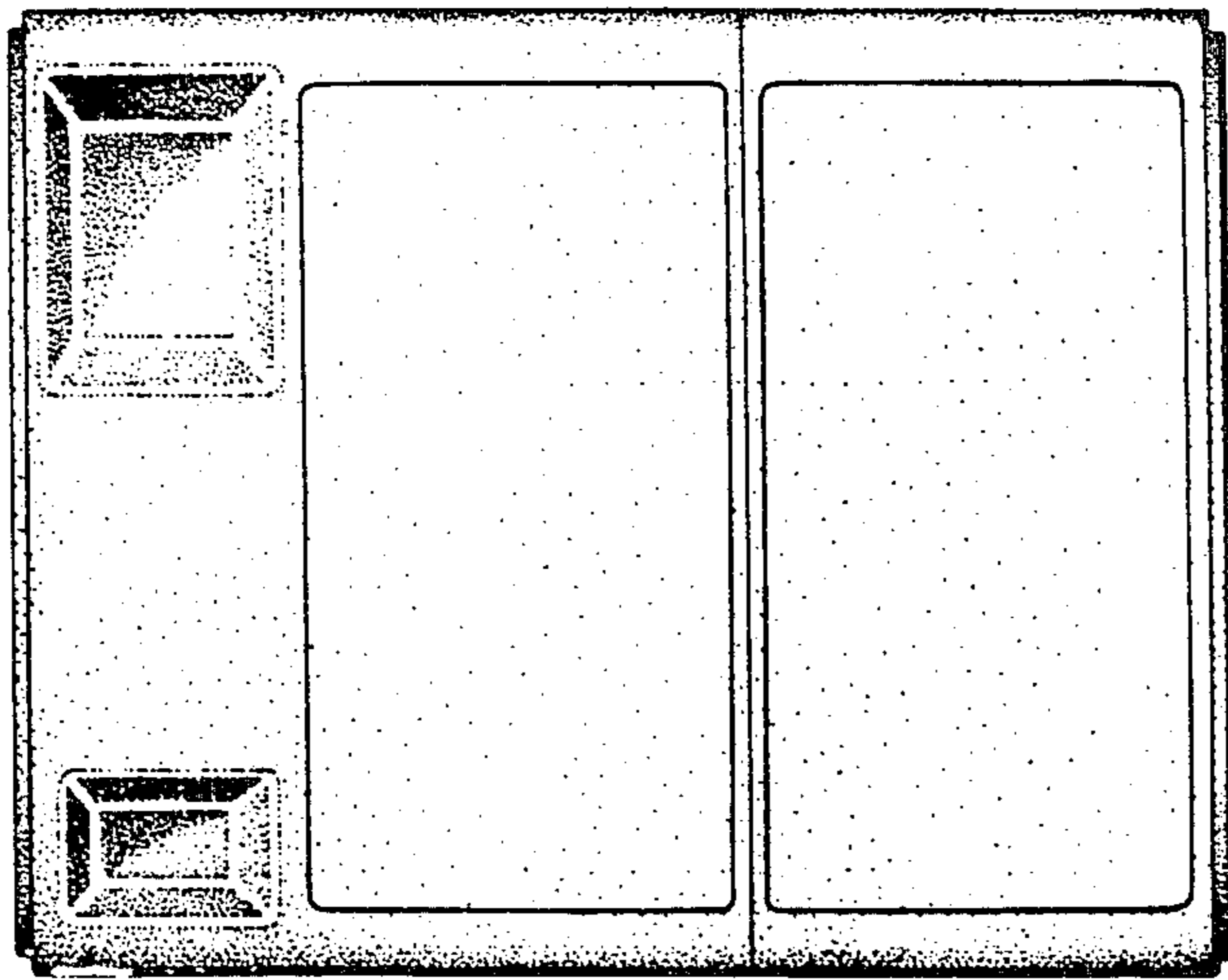


FIG. 3

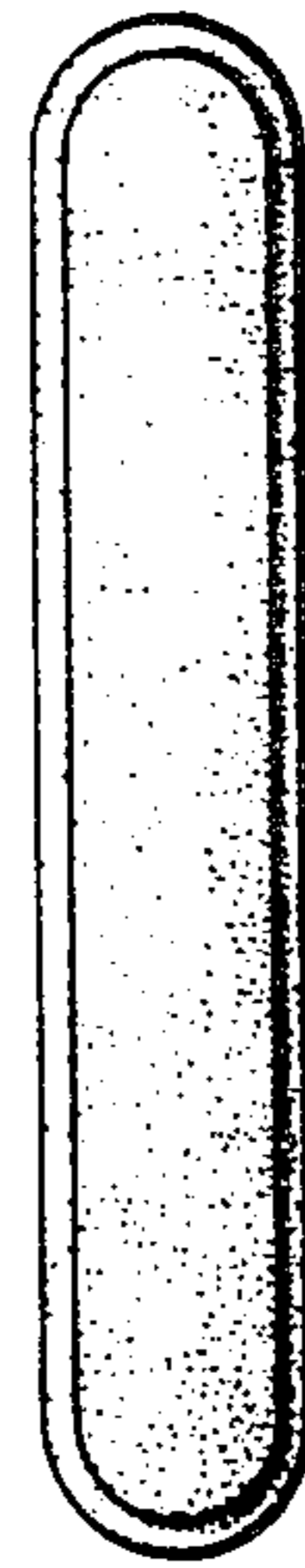


FIG. 4

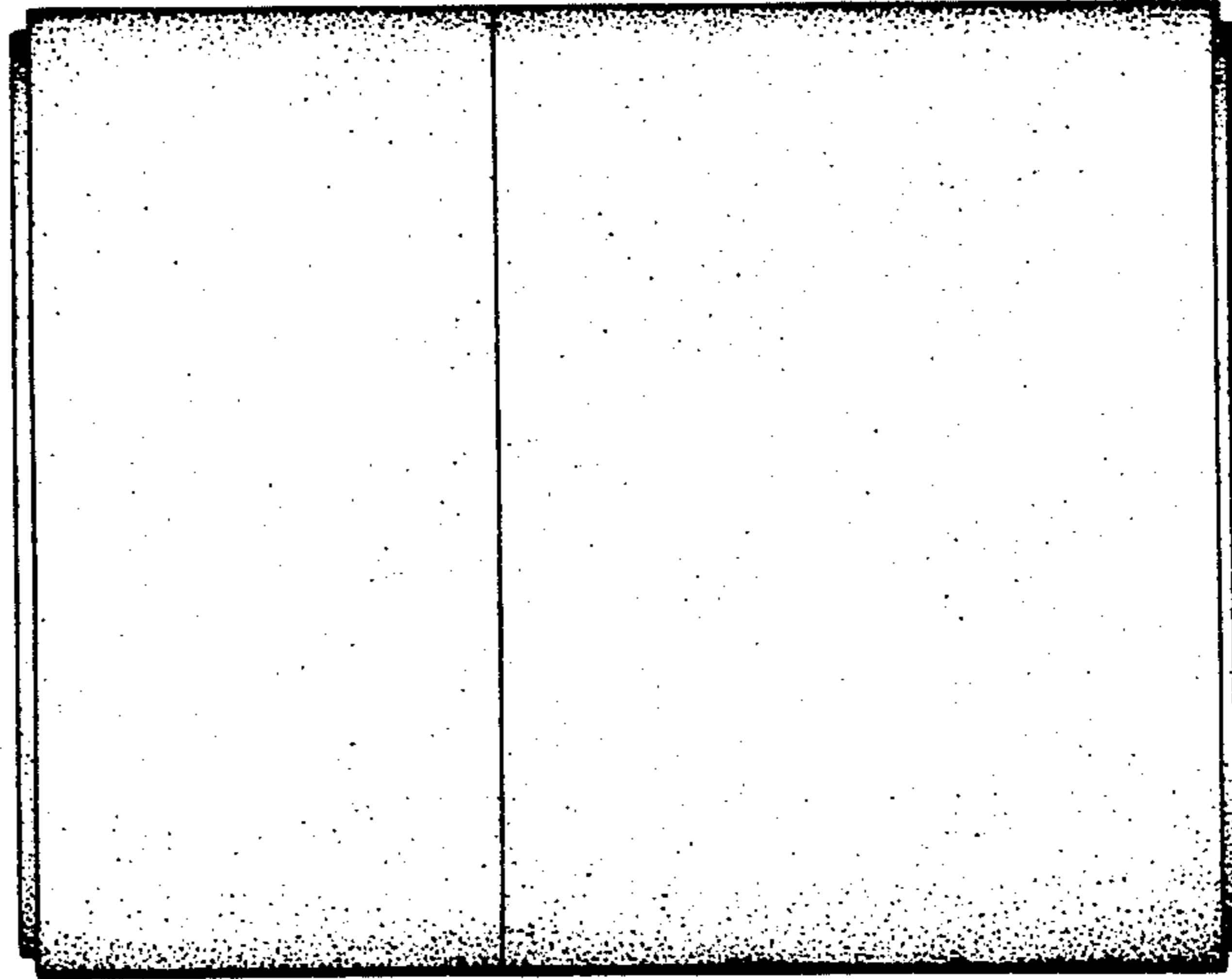


FIG. 5

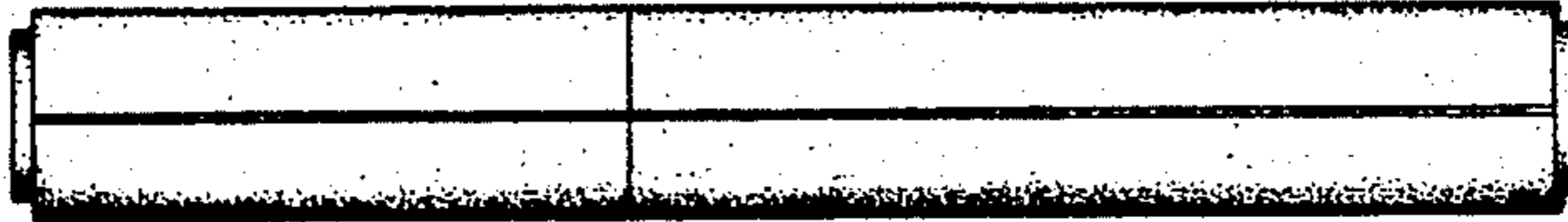


FIG. 6

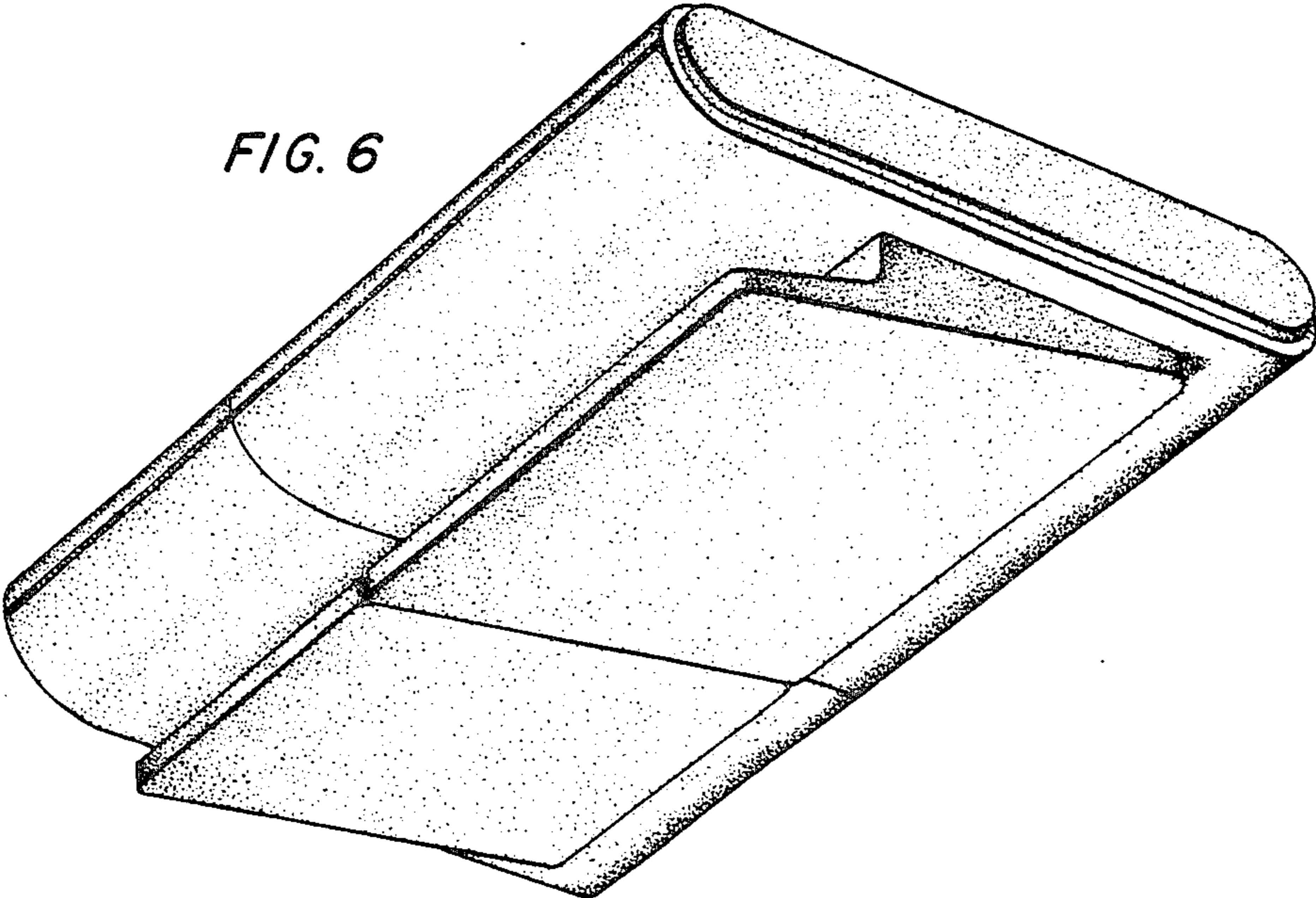


FIG. 7

