

[54] **TELEPHONE SET STAND**  
 [75] **Inventor: William L. Wilt, Shreveport, La.**  
 [73] **Assignee: AT&T Technologies, Inc., New York, N.Y.**  
 [\*\*] **Term: 14 Years**  
 [21] **Appl. No.: 450,573**  
 [22] **Filed: Dec. 16, 1982**  
 [52] **U.S. Cl. .... D14/60**  
 [58] **Field of Search .... D14/52, 53, 58, 59, D14/60, 62, 65, 66; 179/179, 178, 100 R, 100 D, 101, 147**

D. 268,342 3/1983 Genaro et al. .... D14/52  
 D. 272,147 1/1984 Coons et al. .... D14/60  
 D. 272,149 1/1984 Genaro et al. .... D14/53  
 D. 272,150 1/1984 Genaro et al. .... D14/53  
 D. 275,483 9/1984 Genaro et al. .... D14/60

*Primary Examiner*—Wallace R. Burke  
*Assistant Examiner*—Horace B. Fay  
*Attorney, Agent, or Firm*—R. F. Kip, Jr.

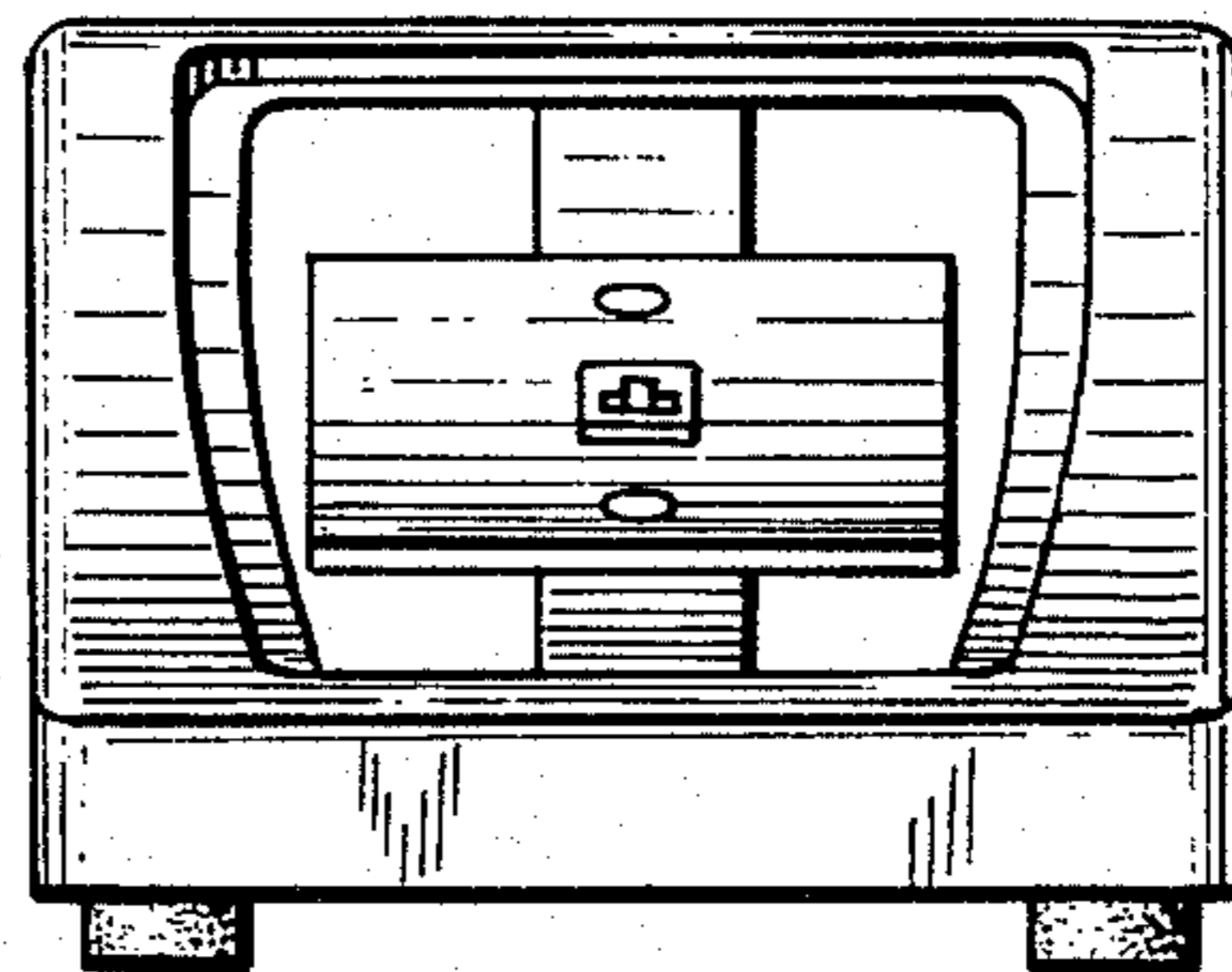
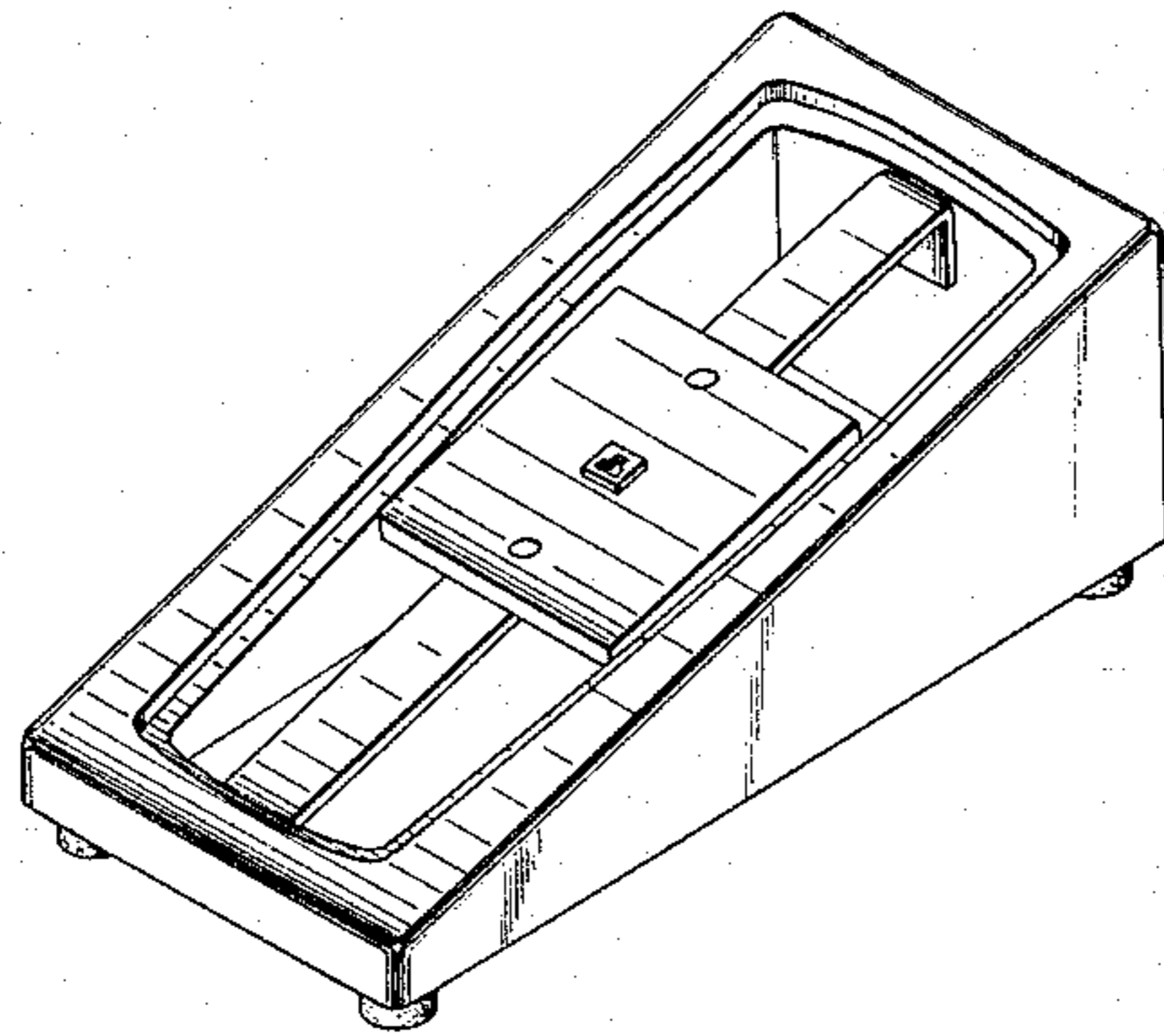
[57] **CLAIM**

The ornamental design for a telephone set stand, substantially as shown and described.

**DESCRIPTION**

FIG. 1 is an isometric view of the telephone set stand showing my design;  
 FIG. 2 is a plan view of the FIG. 1 stand;  
 FIG. 3 is a front elevation of the stand as shown in FIG. 2;  
 FIG. 4 is a left side elevation of the stand as shown in FIG. 2; and  
 FIG. 5 is a bottom view of the stand as shown in FIG. 2.

[56] **References Cited**  
**U.S. PATENT DOCUMENTS**  
 D. 189,877 3/1961 Mosing et al. .... D14/53  
 D. 259,563 6/1981 Marshall .... D14/58  
 D. 265,089 6/1982 Bee .... D14/58  
 D. 265,559 7/1982 Janda .... D14/60  
 D. 268,181 3/1983 Banko .... D14/66



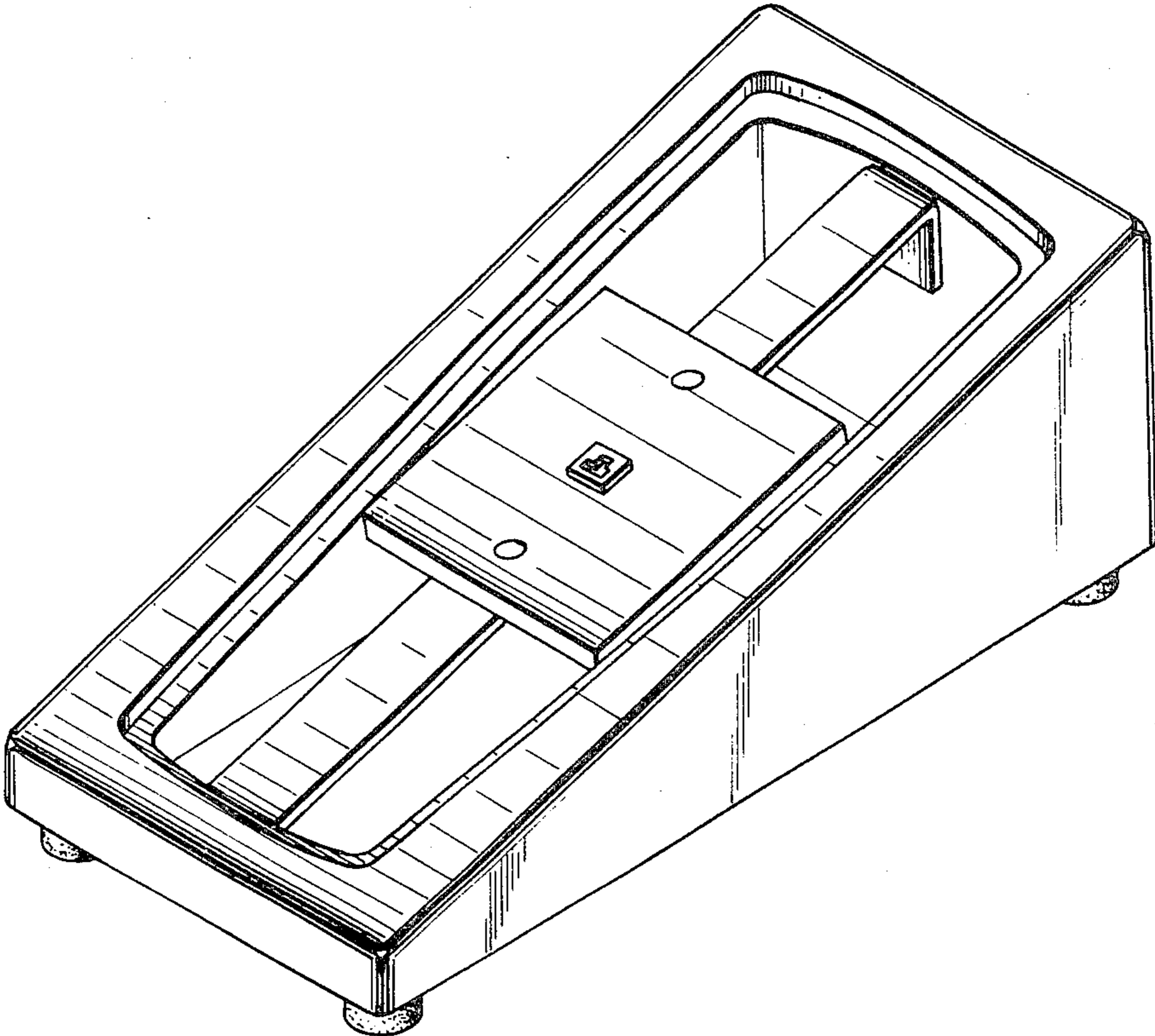


FIG. 1

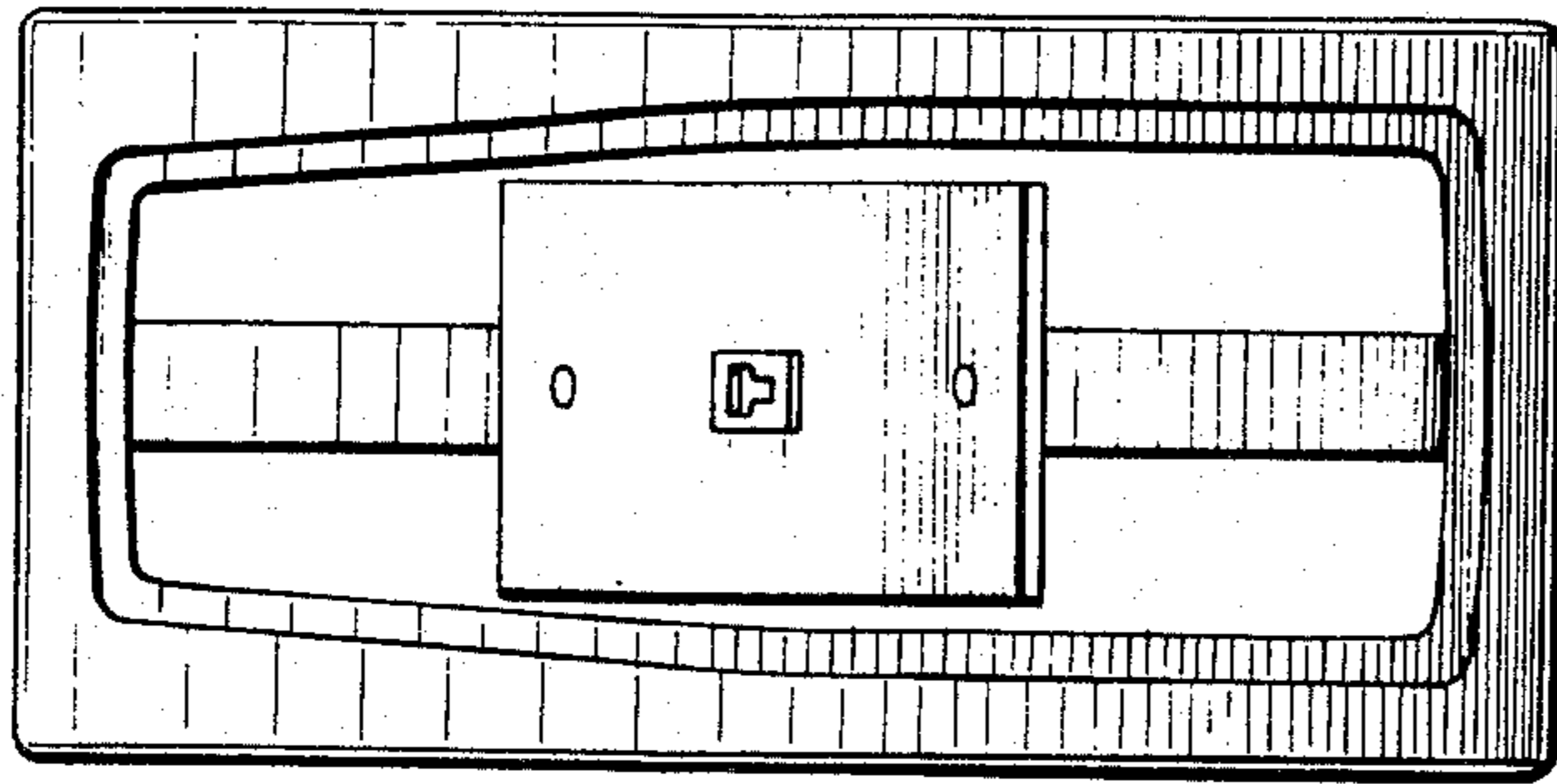


FIG. 2

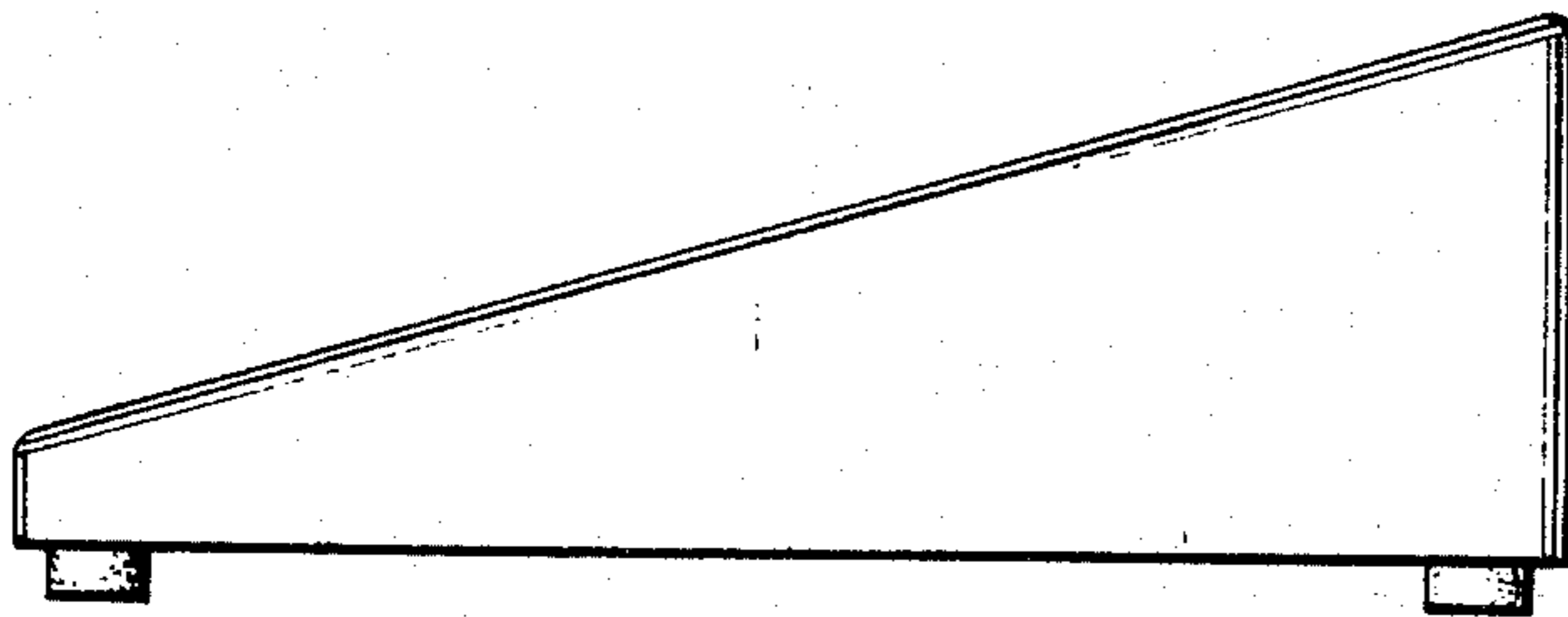


FIG. 3

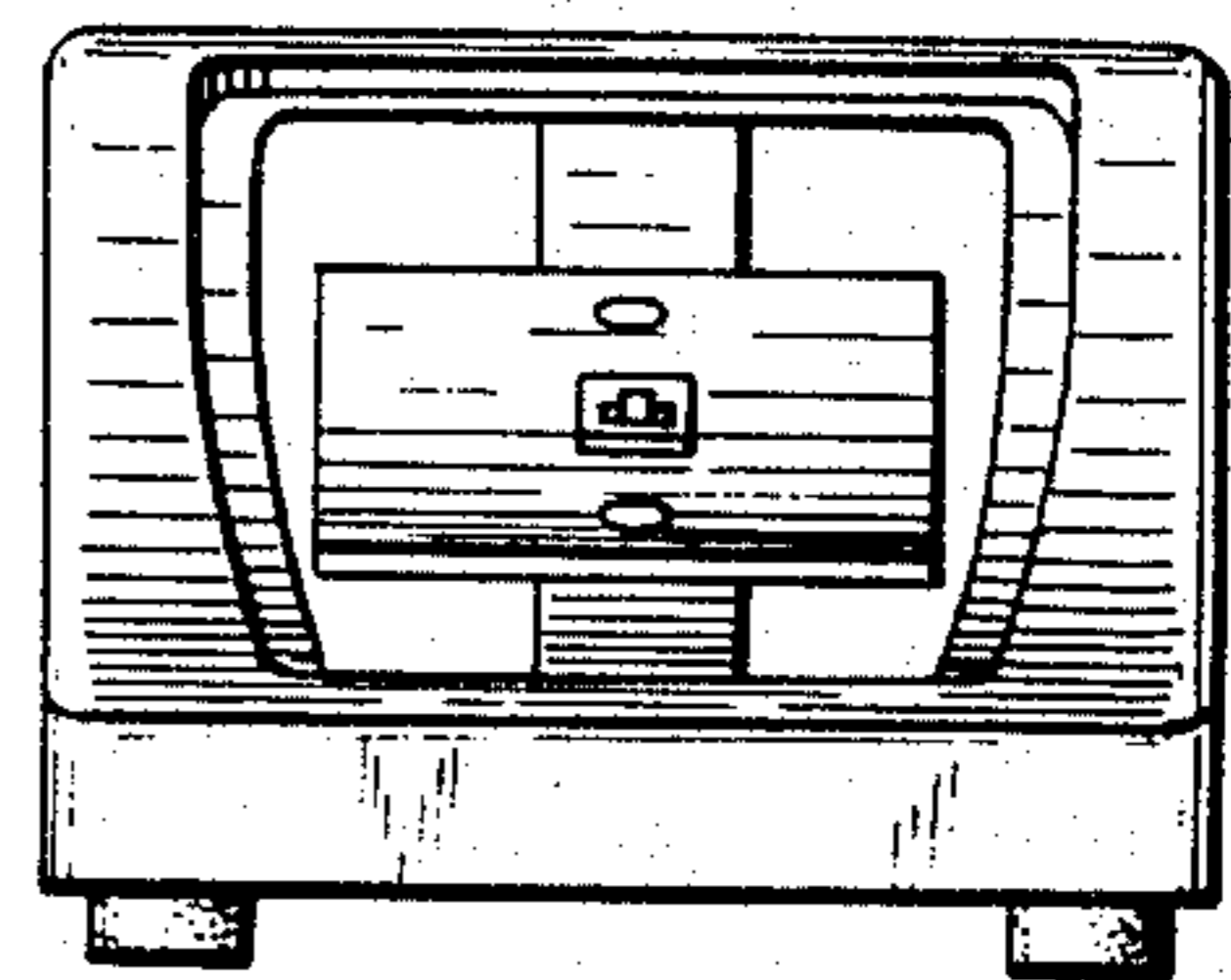


FIG. 4

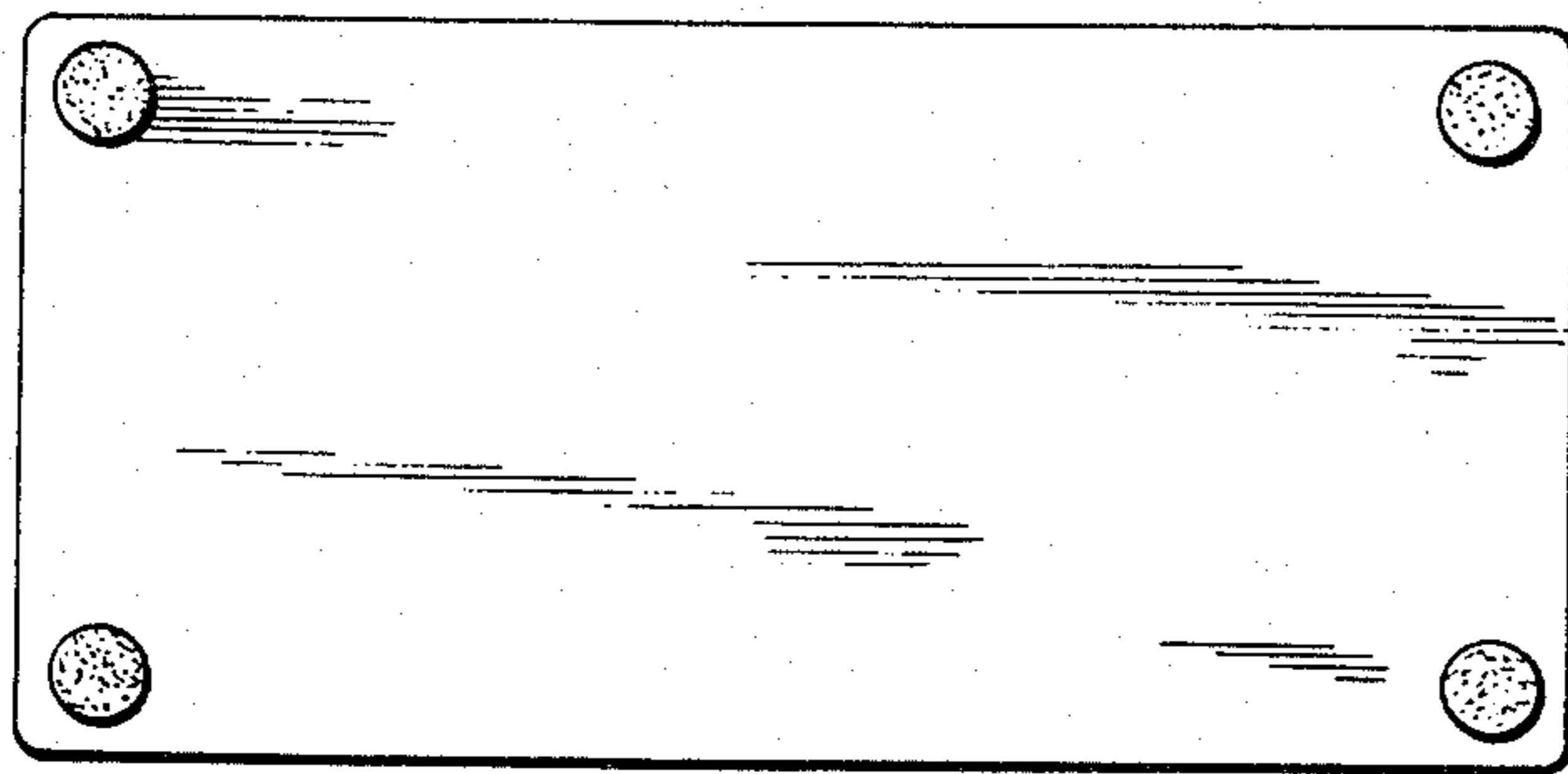


FIG. 5