

# United States Patent [19]

Huntington et al.

[11] Patent Number: Des. 277,662

[45] Date of Patent: \*\* Feb. 19, 1985

[54] RADIO BATTERY CHARGER

[75] Inventors: Robert R. Huntington; Henry A. Schaefer, both of Lynchburg, Va.

[73] Assignee: General Electric Company, Lynchburg, Va.

[\*\*] Term: 14 Years

[21] Appl. No.: 424,758

[22] Filed: Sep. 27, 1982

[52] U.S. Cl. .... D13/5

[58] Field of Search ..... D13/5; 320/2-5

[56] References Cited

U.S. PATENT DOCUMENTS

D. 192,565	4/1962	Gilman	.....	D13/5
D. 223,099	3/1972	Sato	.....	D13/5
D. 227,123	6/1973	Sato	.....	D13/5
D. 250,706	1/1979	DeHaan	.....	D13/5

3,659,180 4/1972 Urbush ..... 320/2

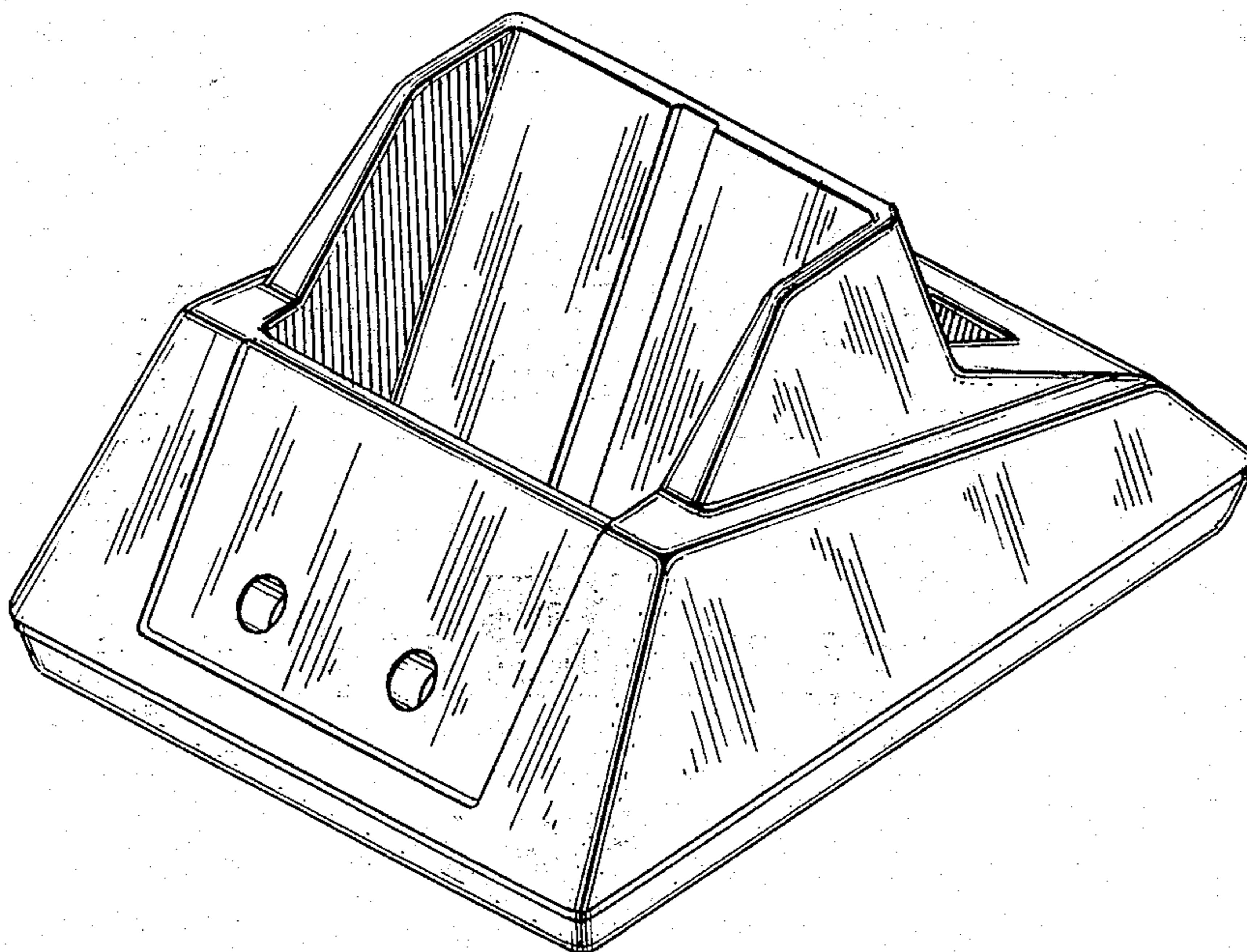
Primary Examiner—Wallace R. Burke  
Assistant Examiner—Lynn Wilder  
Attorney, Agent or Firm—James J. Williams

[57] CLAIM

The ornamental design for a radio battery charger, substantially as shown as described.

DESCRIPTION

FIG. 1 is a front elevational view of a radio battery charger showing our new design; FIG. 2 is a rear elevational view thereof; FIG. 3 is a side elevational view thereof, the other side being a mirror image; FIG. 4 is a cross sectional view thereof, taken along line A—A; FIG. 5 is a top plan view thereof; and FIG. 6 is a perspective view thereof. The bottom of our new design is substantially plain and undecorated.



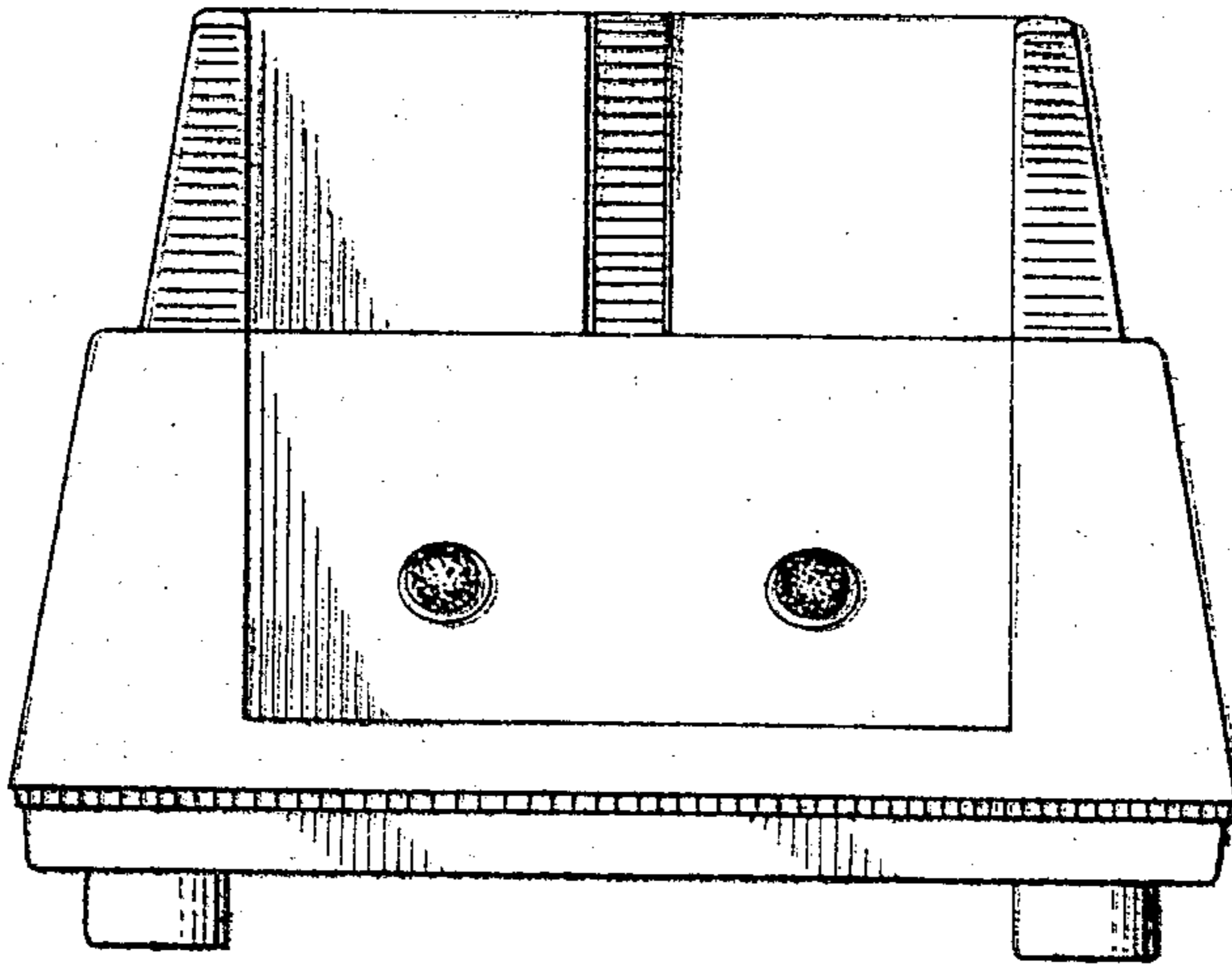


FIG. 1

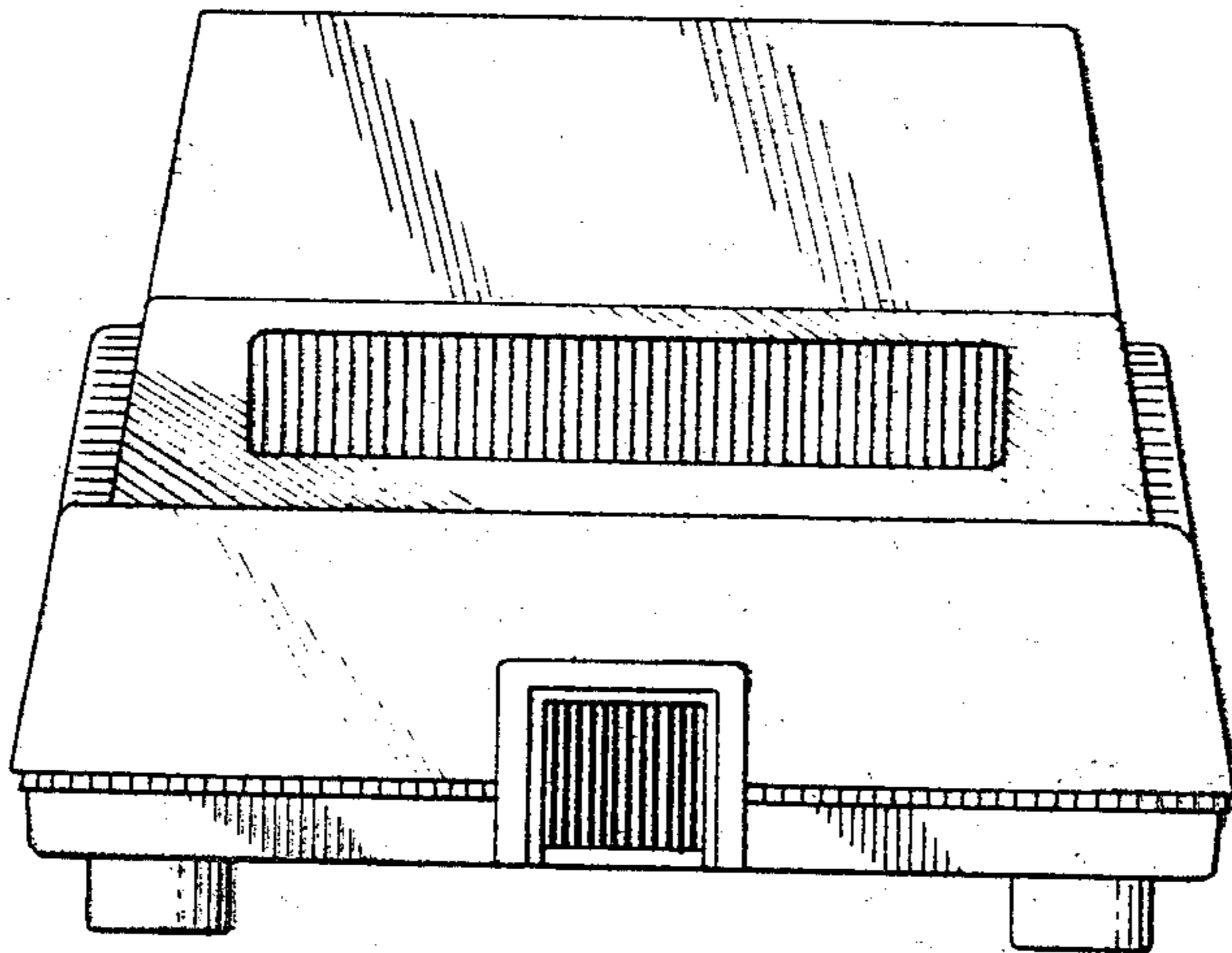


FIG. 2

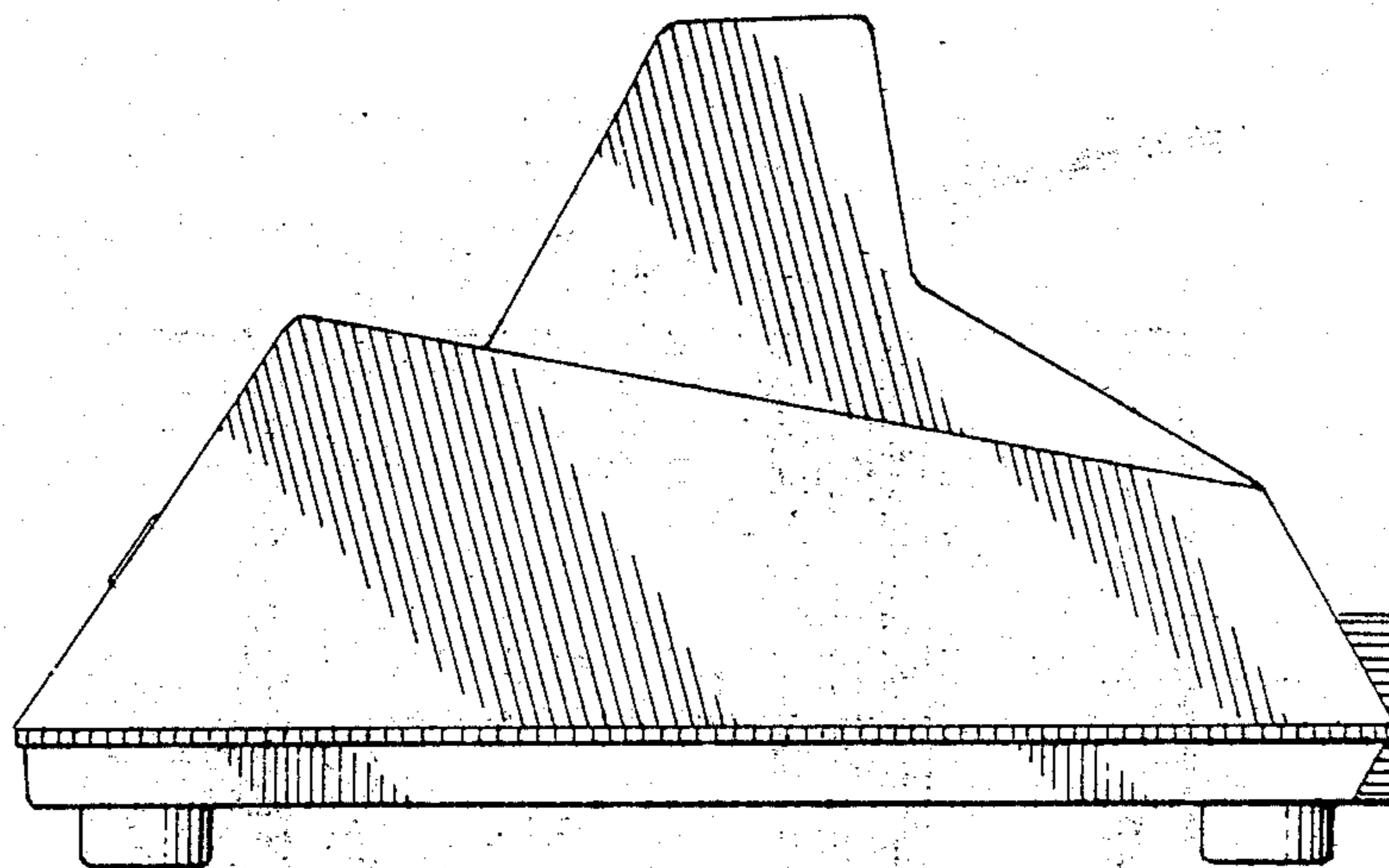


FIG. 3

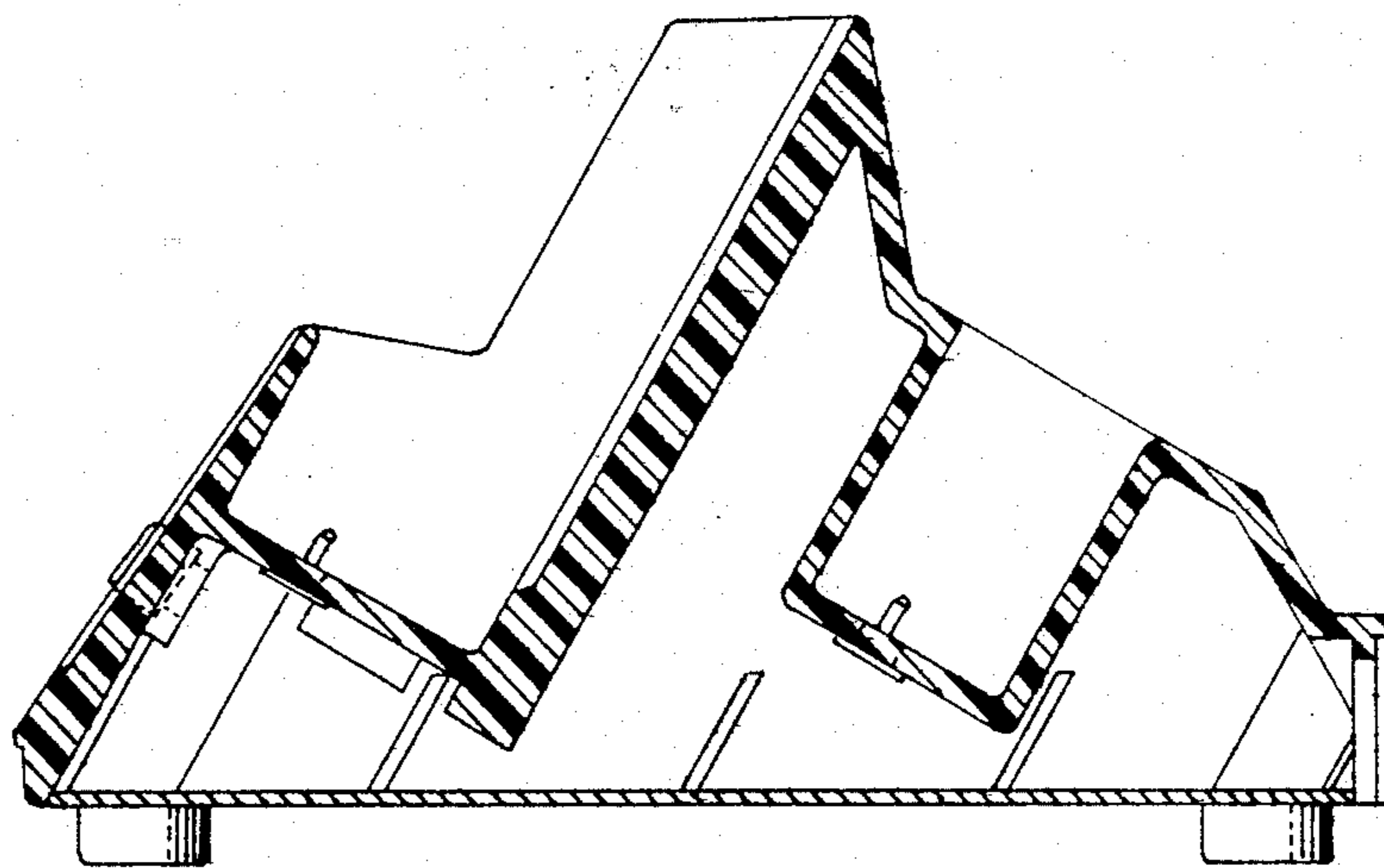


FIG. 4

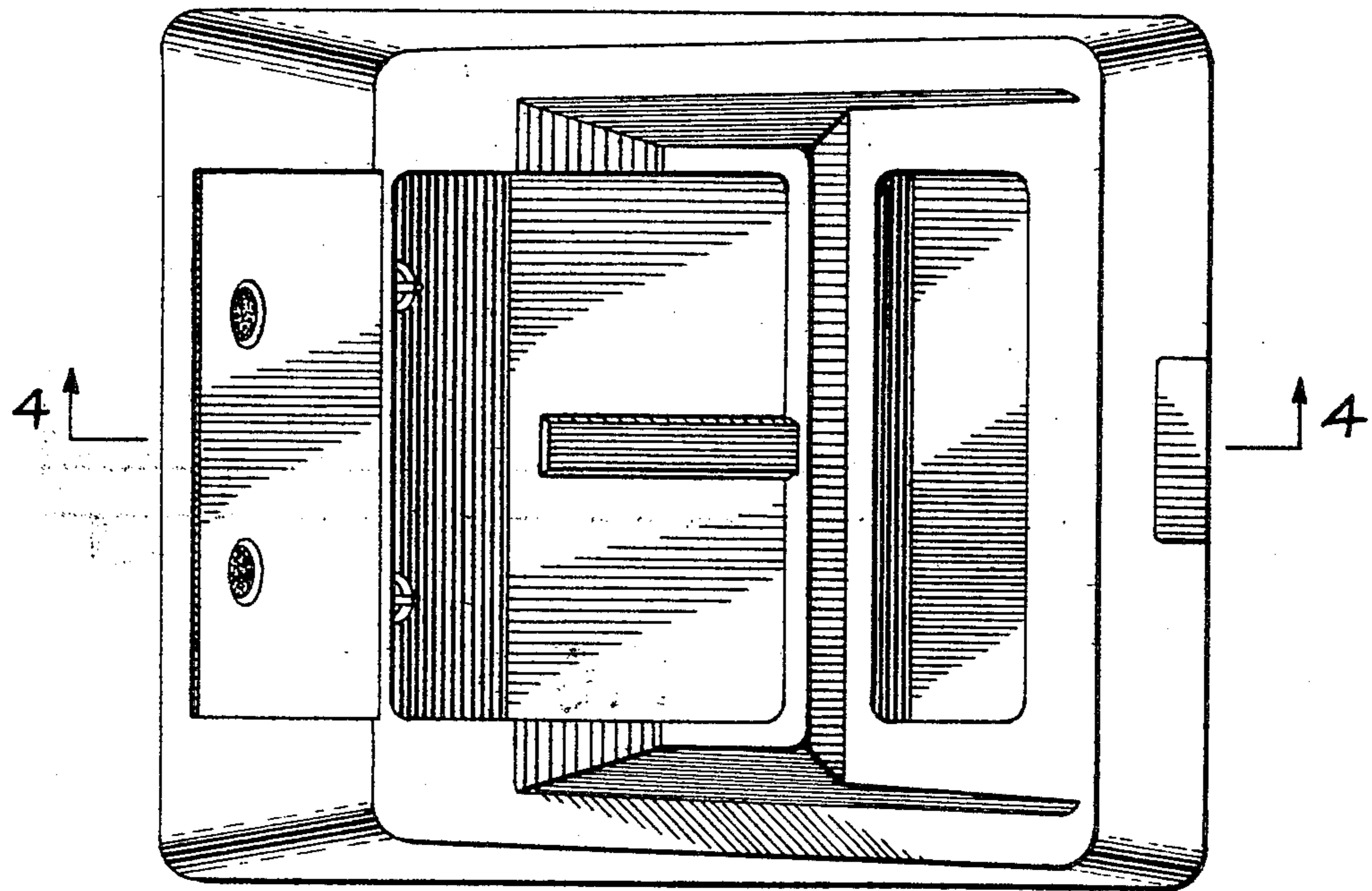


FIG. 5

FIG. 6.

