

**United States Patent** [19]  
**Herron**

[11] **Patent Number: Des. 277,651**

[45] **Date of Patent: \*\* Feb. 19, 1985**

[54] **WHEEL BALANCER**

[76] **Inventor: Tom A. Herron, Rte. 3, Box 362, Sapulpa, Okla. 74066**

[\*\*] **Term: 14 Years**

[21] **Appl. No.: 430,130**

[22] **Filed: Sep. 30, 1982**

[52] **U.S. Cl. .... D10/82; 73/484**

[58] **Field of Search ..... D10/82; 73/483, 484; 301/5 B**

2,979,958 4/1961 Kennedy ..... 73/483  
3,864,980 2/1975 Barnes ..... 73/484

**OTHER PUBLICATIONS**

J. C. Whitney & Co., Catalog #367B, 10/77, p. 80, Items #75-2442B, 17-8958B, 74-7100B Wheel Balancers.

*Primary Examiner*—Bernard Ansher

*Assistant Examiner*—Terry Pfeffer

*Attorney, Agent, or Firm*—Head, Johnson & Stevenson

[57] **CLAIM**

The ornamental design for a wheel balancer, substantially as shown and described.

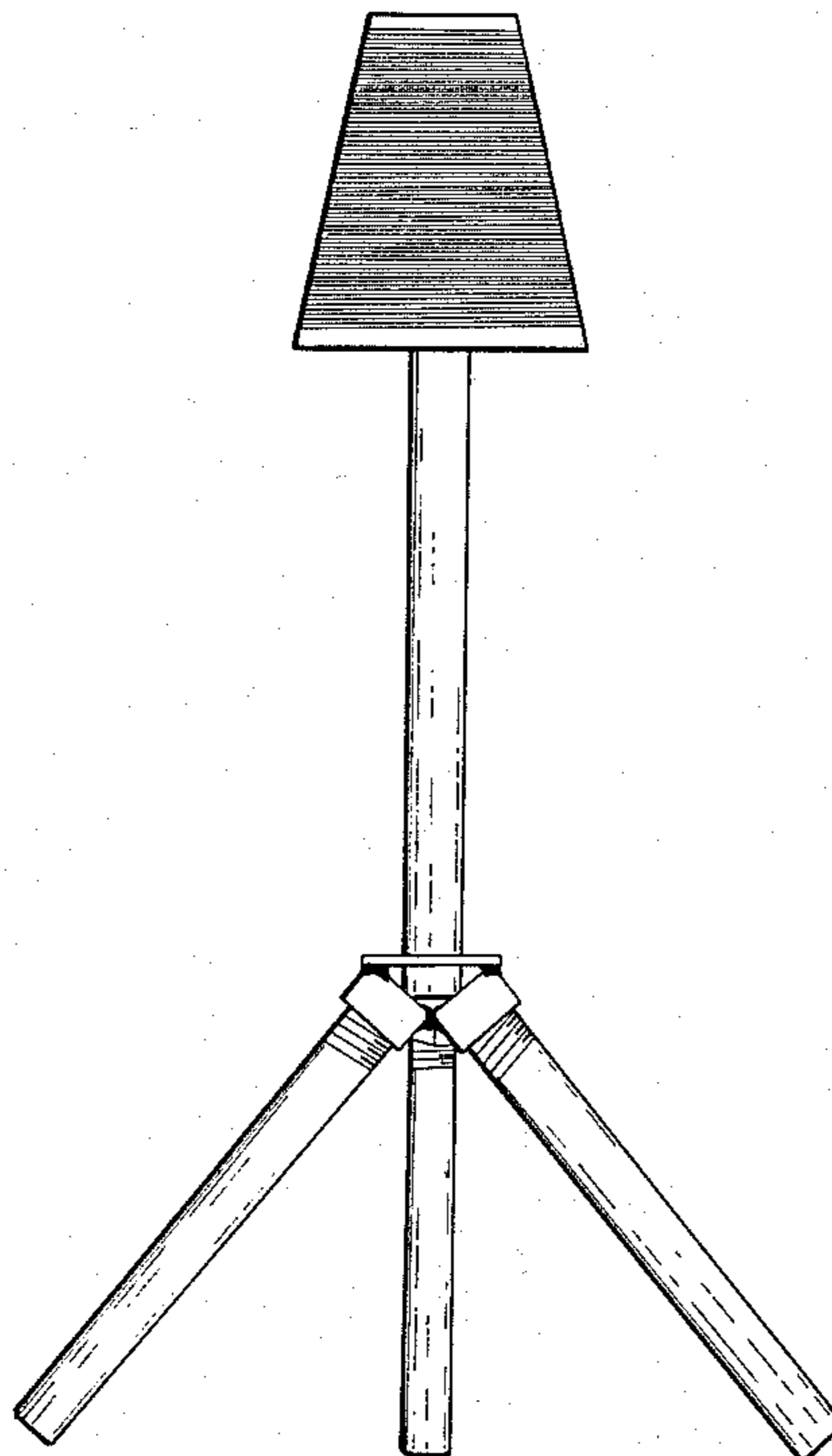
[56] **References Cited**

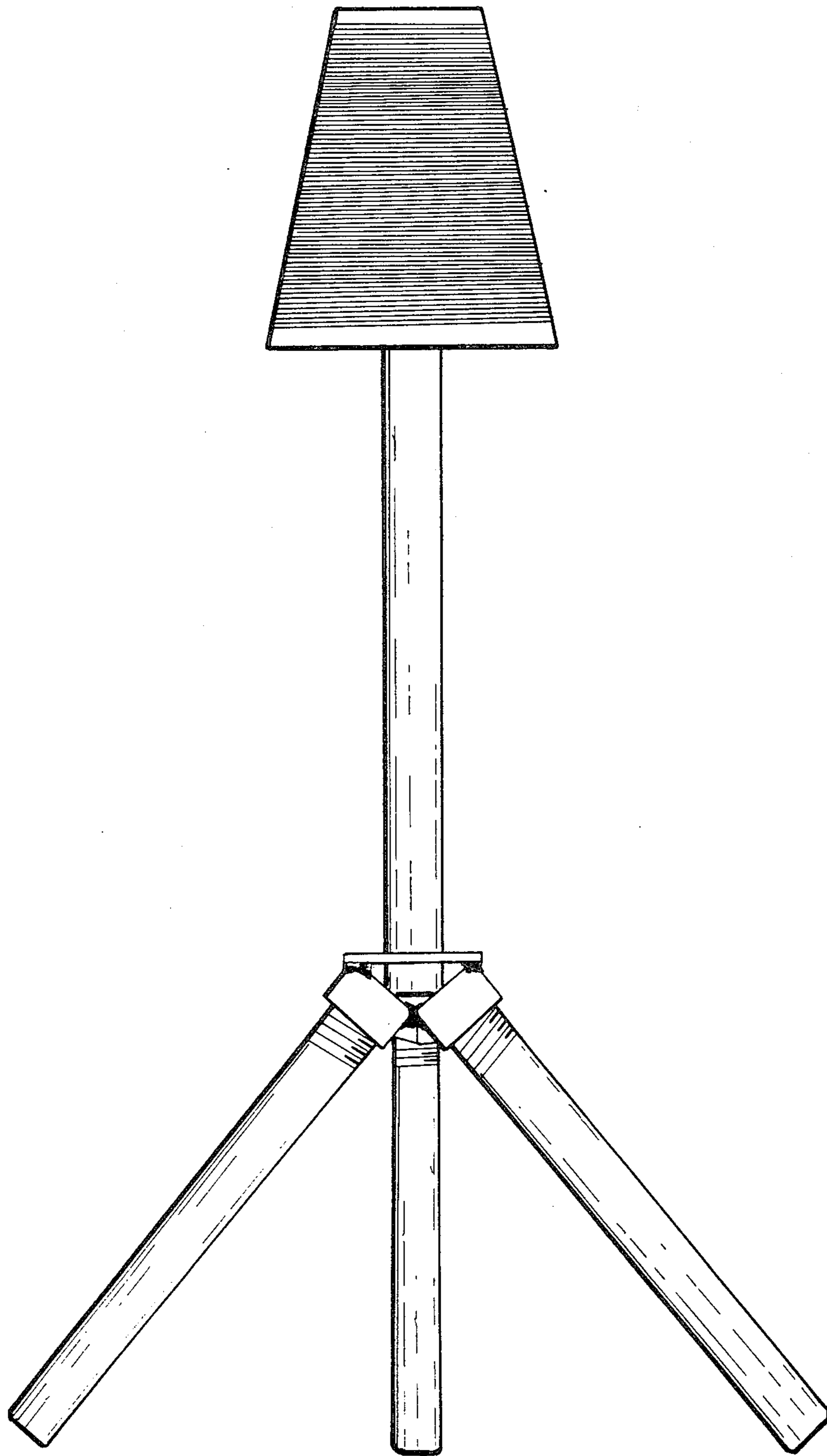
**U.S. PATENT DOCUMENTS**

D. 201,769	7/1965	Rexroat	.....	D10/82
D. 247,428	3/1978	Wood	.....	D10/82
D. 257,132	9/1980	Schramm	.....	D10/82
2,136,633	11/1938	Morse	.....	301/5 B
2,270,657	1/1942	Kraft	.....	D10/82 X

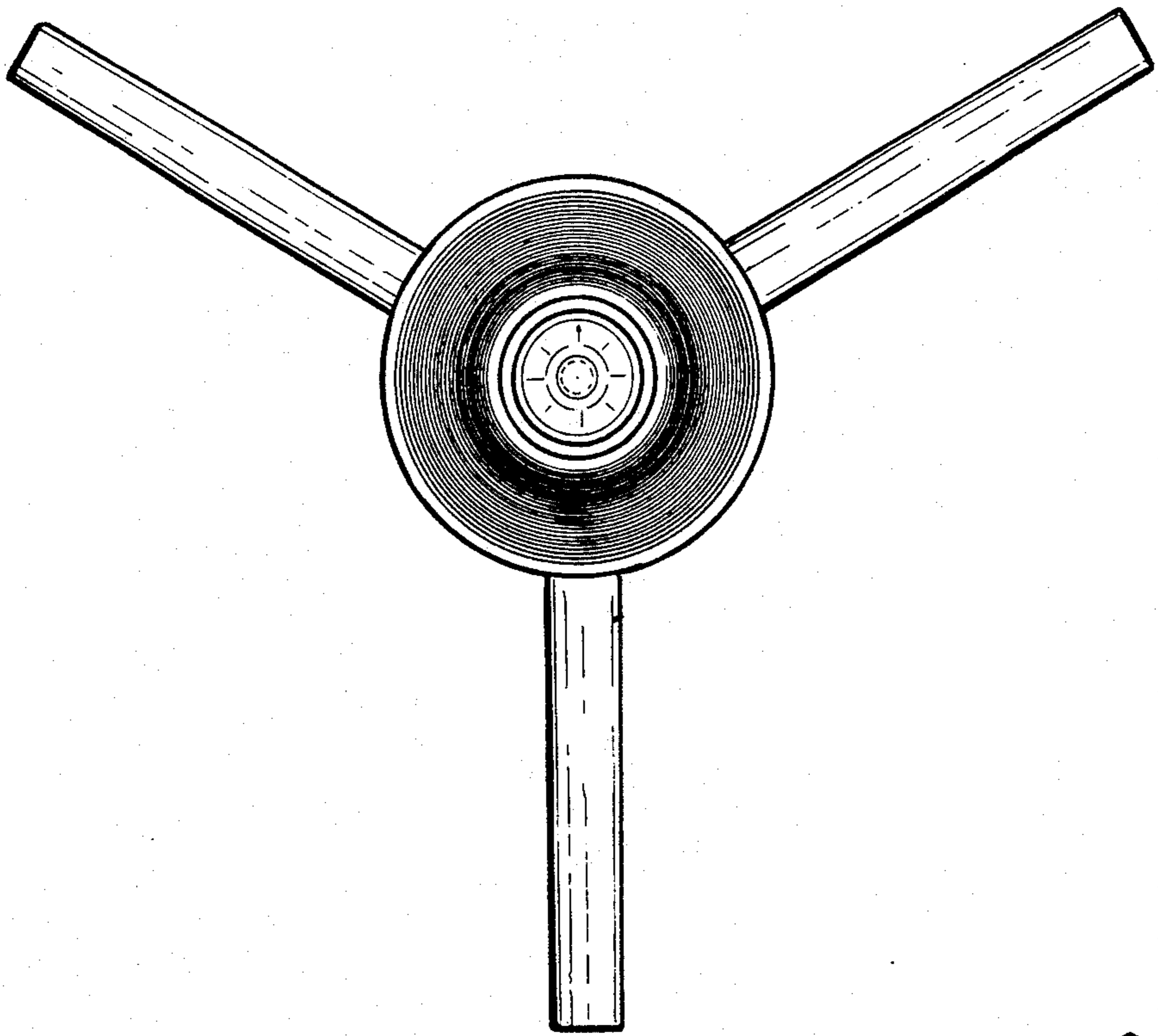
**DESCRIPTION**

FIG. 1 is a front elevation view of a wheel balancer showing my new design; FIG. 2 is a top plan view thereof; and FIG. 3 is a bottom plan view thereof.

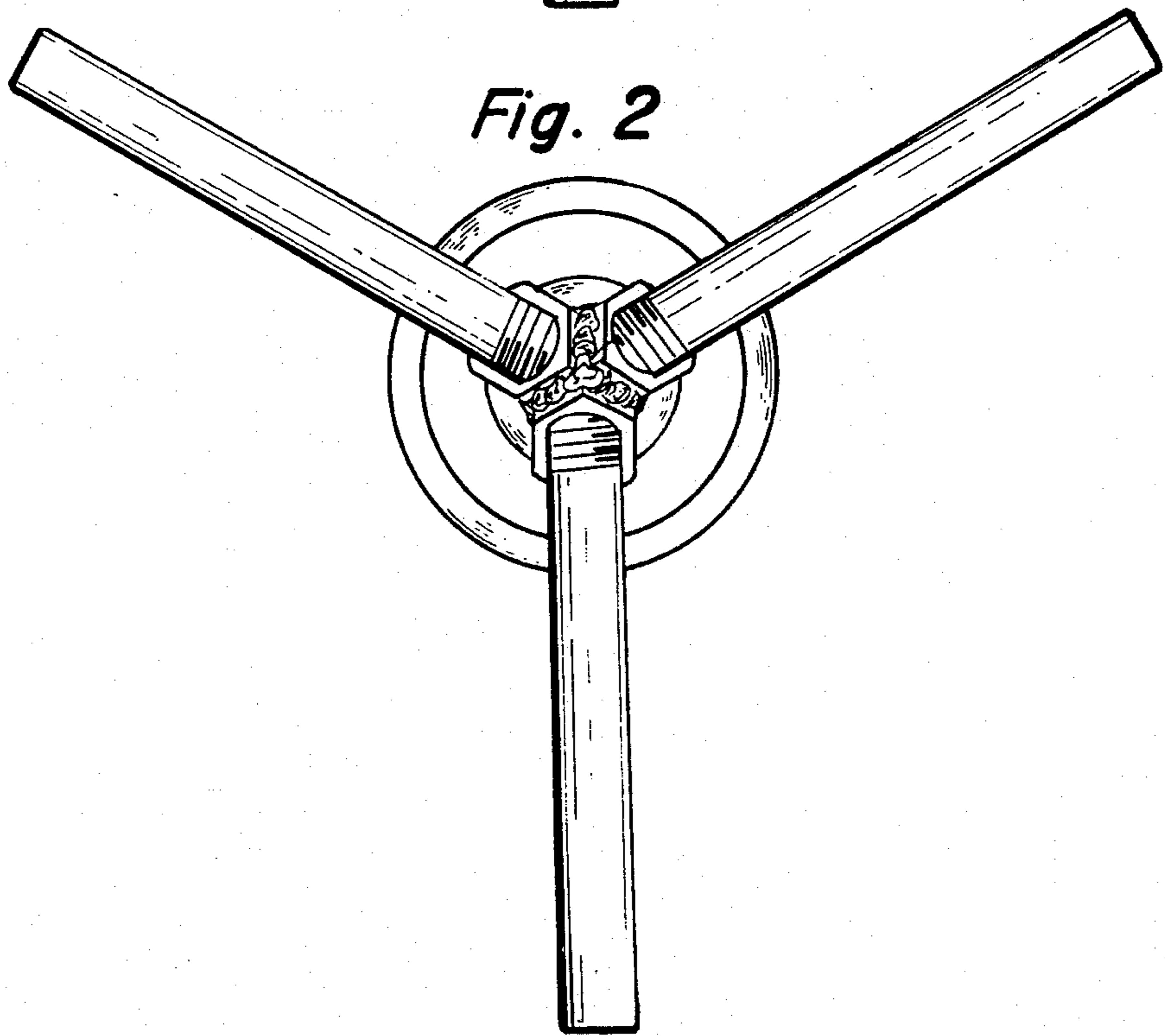




*Fig. 1*



*Fig. 2*



*Fig. 3*