

[54] LOCKING DEVICE FOR AN END CLAMP FOR METAL WIRES

[75] Inventor: Esko M. Tölkö, Porvoo, Finland

[73] Assignee: Oy Ensto AB, Porvoo, Finland

[**] Term: 14 Years

[21] Appl. No.: 408,744

[22] Filed: Aug. 17, 1982

[52] U.S. Cl. D8/396; D8/356; D8/394

[58] Field of Search D8/349, 354-356, D8/394-396; 24/117, 132 R, 136 R, 122.6, 335, DIG. 22; 248/68.1, 74.1; 403/211

[56] References Cited

U.S. PATENT DOCUMENTS

- 1,563,603 12/1925 West 403/211
- 2,337,895 12/1943 Jaszczak 403/211
- 3,550,222 12/1970 Pfandl 403/211

- 3,775,811 12/1973 Smrekar 24/122.6
- 4,295,749 10/1981 McBride 403/211

FOREIGN PATENT DOCUMENTS

- 2402660 8/1974 Fed. Rep. of Germany 24/122.6

Primary Examiner—B. J. Bullock

Attorney, Agent, or Firm—Fleit, Jacobson, Cohn & Price

[57] CLAIM

The ornamental design for a locking device for an end clamp for metal wires, as shown and described.

DESCRIPTION

FIG. 1 is a bottom, rear perspective view of a locking device for an end clamp for metal wires showing my new design;

FIG. 2 is a top, front perspective view;

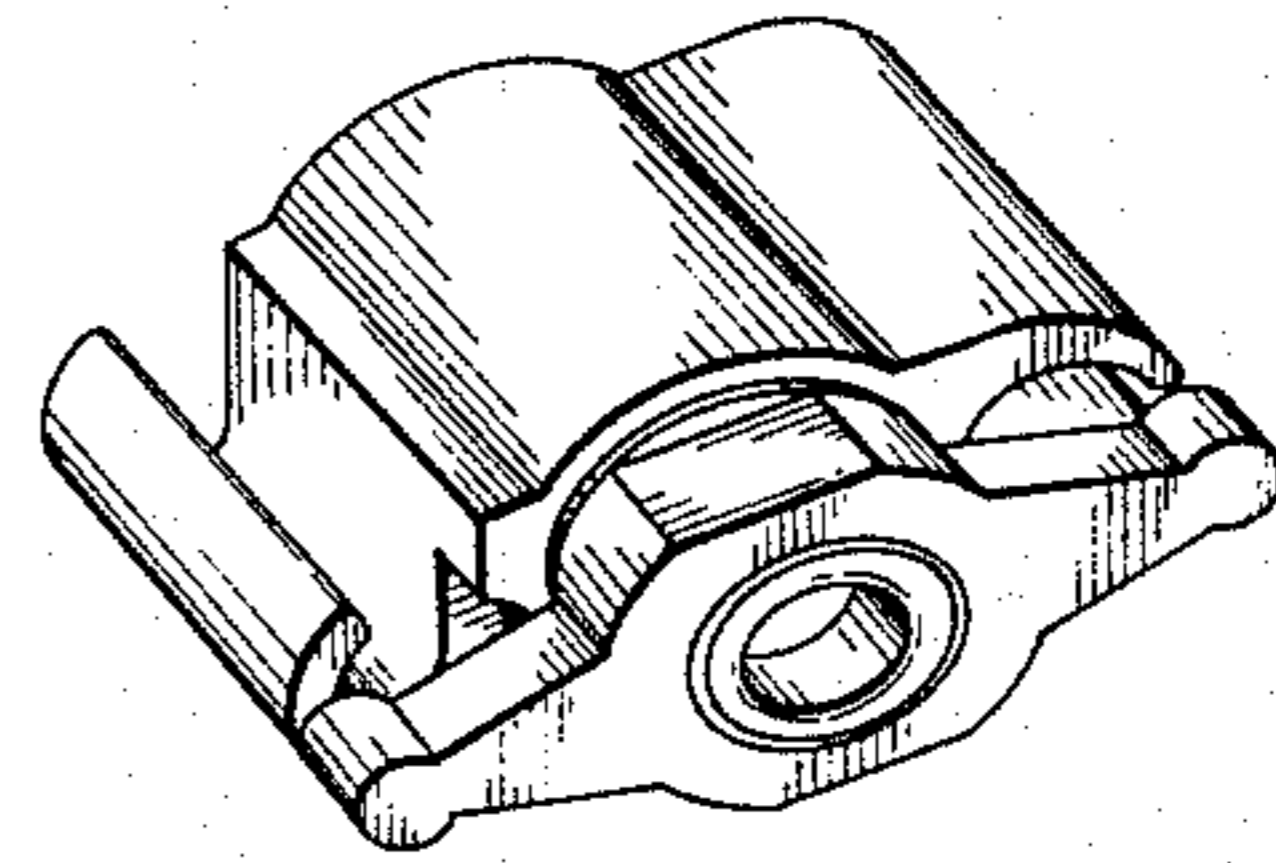
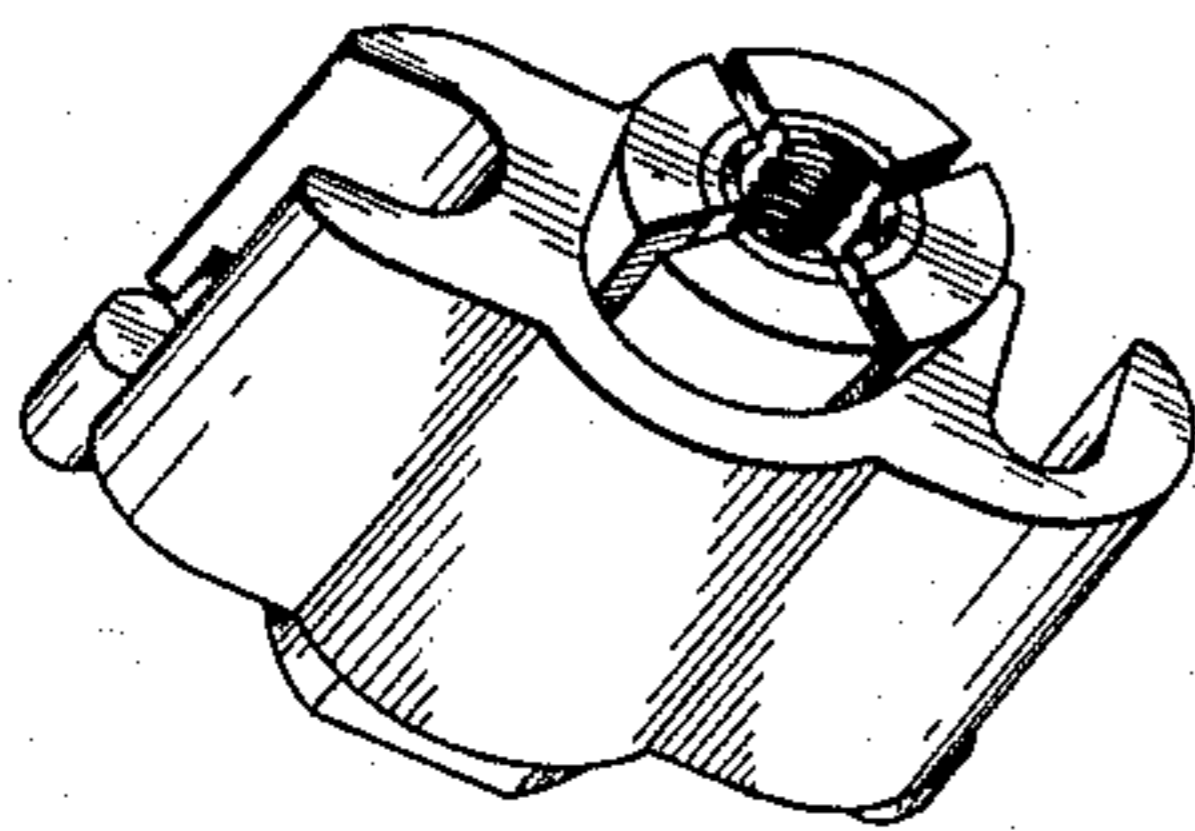
FIG. 3 is a side view taken from the left of FIG. 1;

FIG. 4 is a front view;

FIG. 5 is a top view;

FIG. 6 is a rear view;

FIG. 7 is a side view taken from the right of FIG. 2.



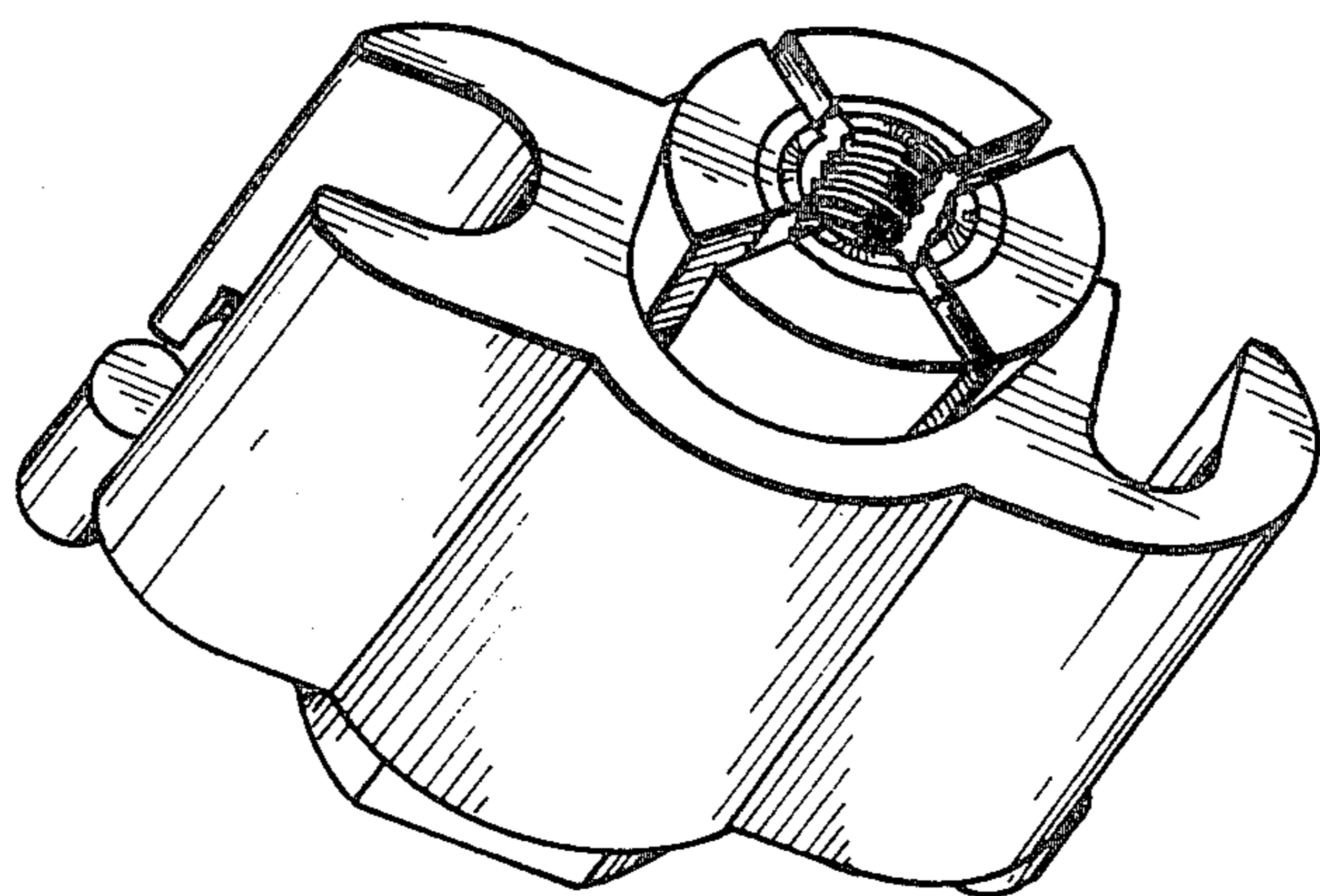


FIG. 1

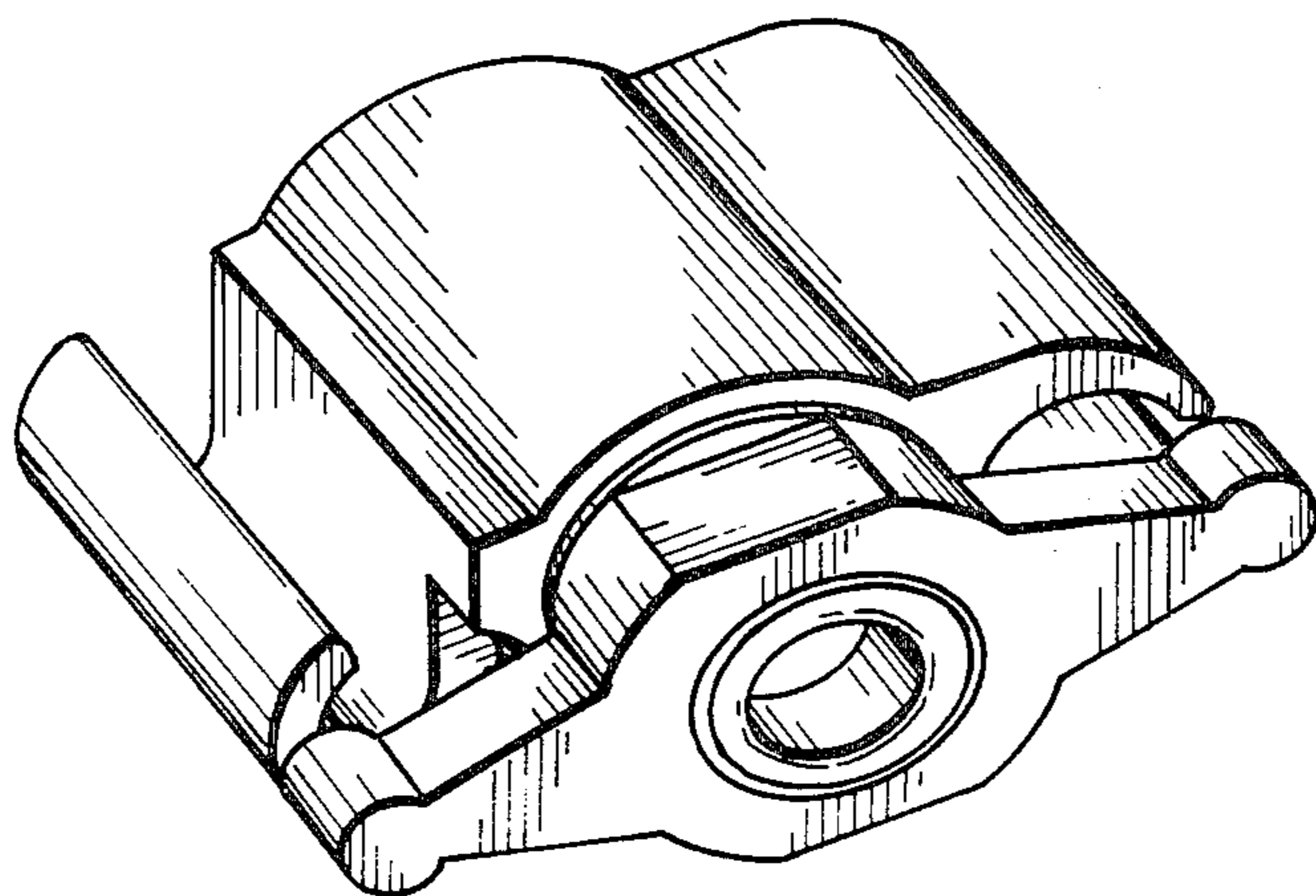


FIG. 2

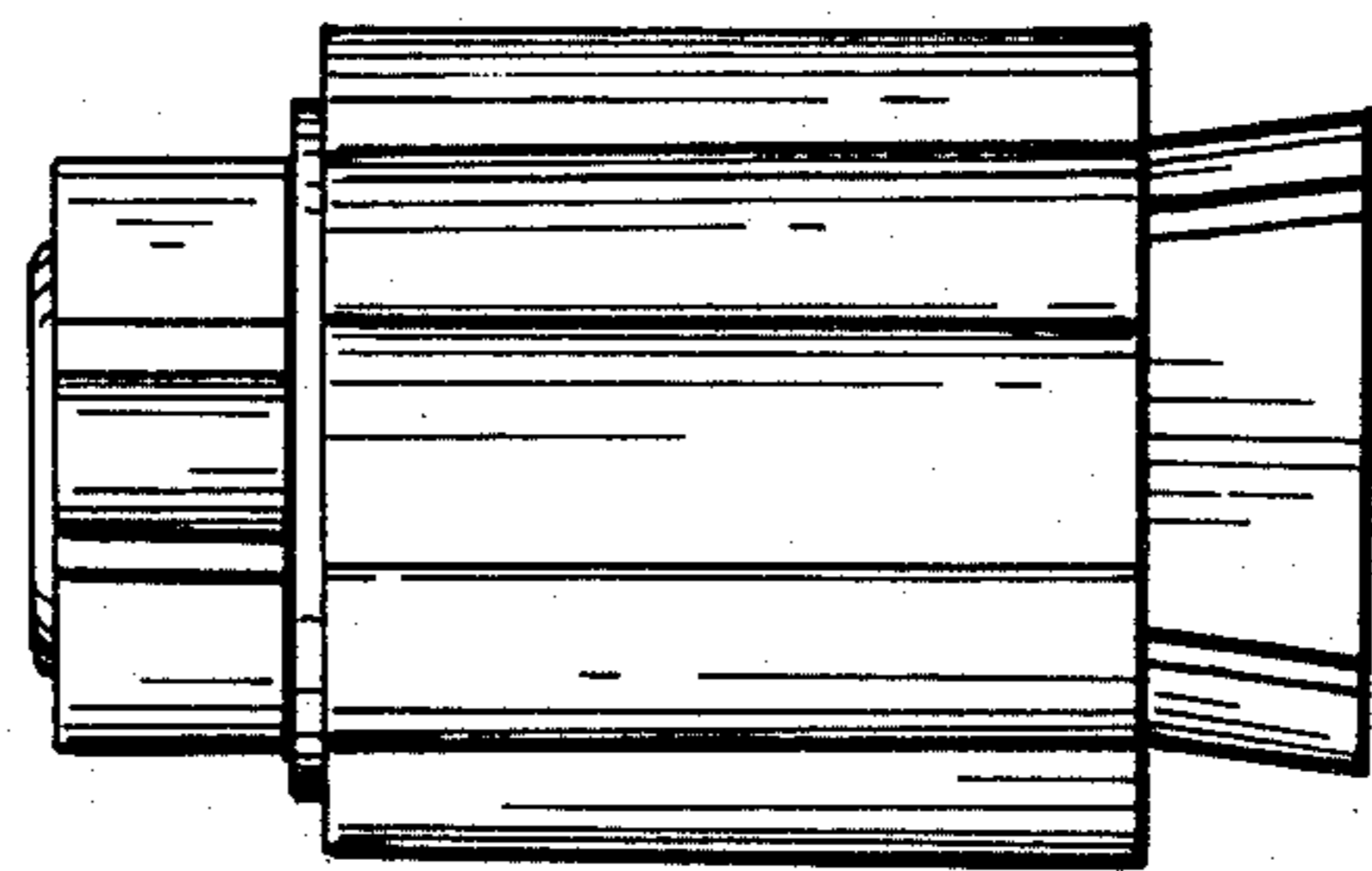


FIG. 3

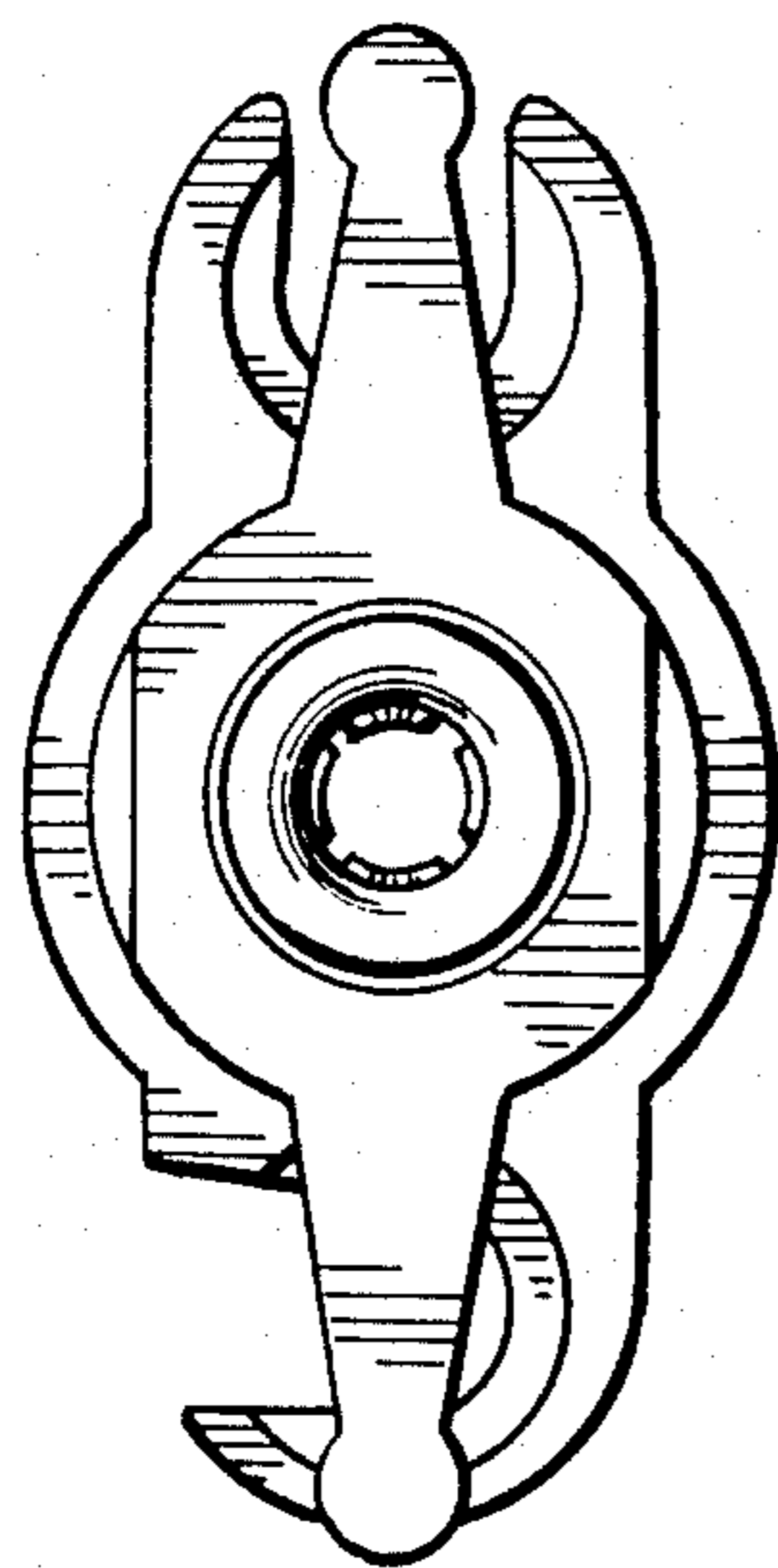


FIG. 4

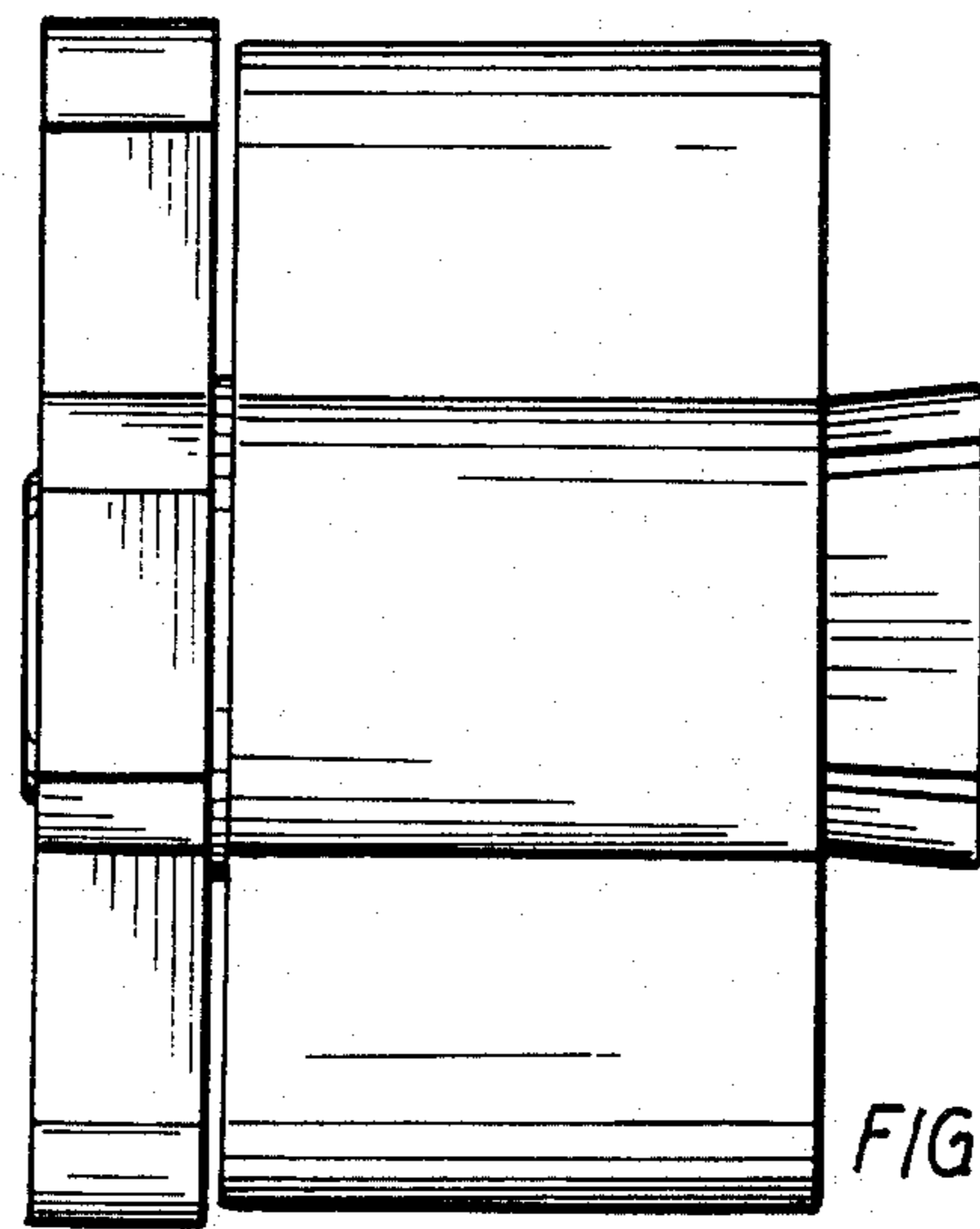


FIG. 5

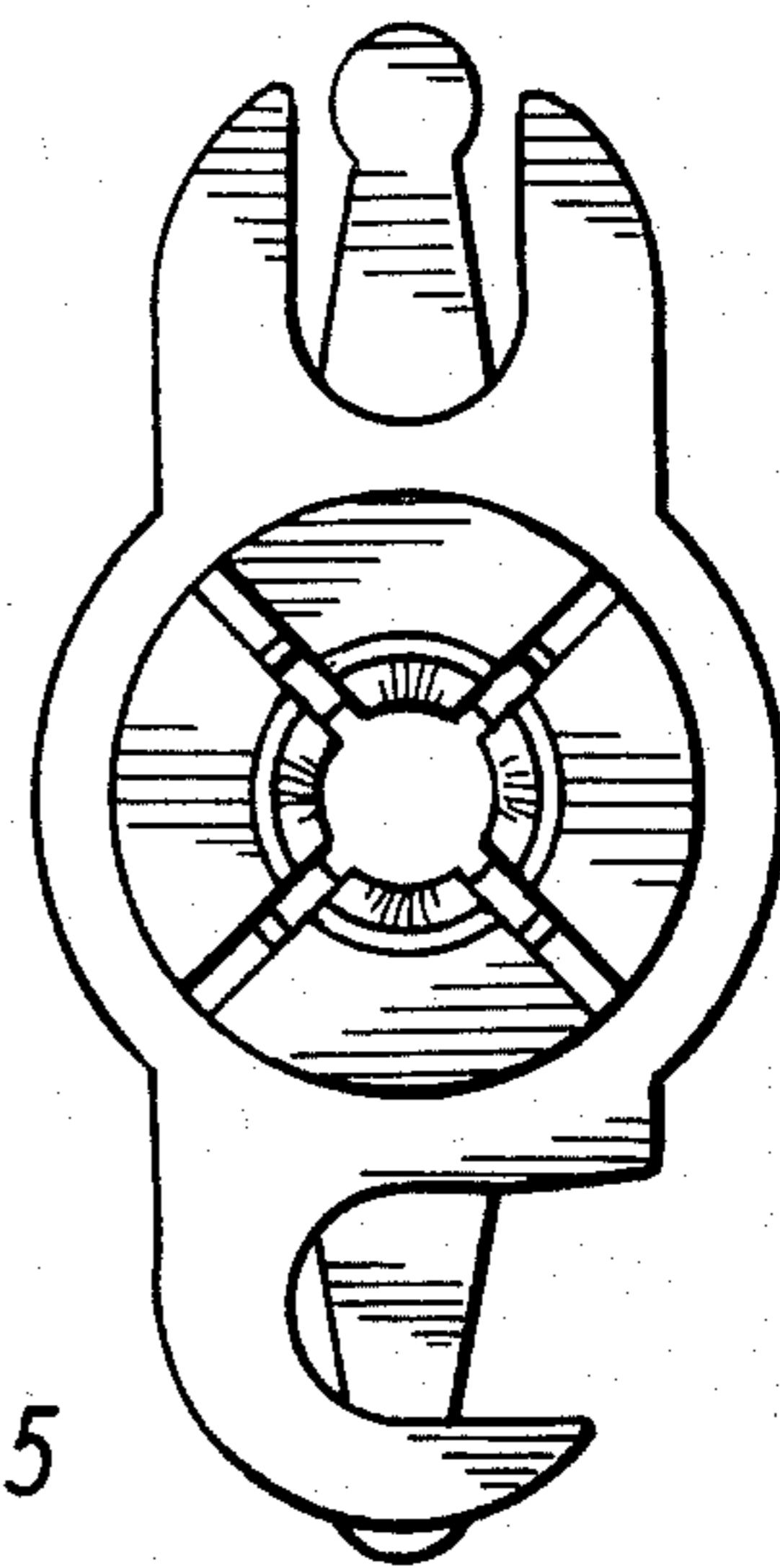


FIG. 6

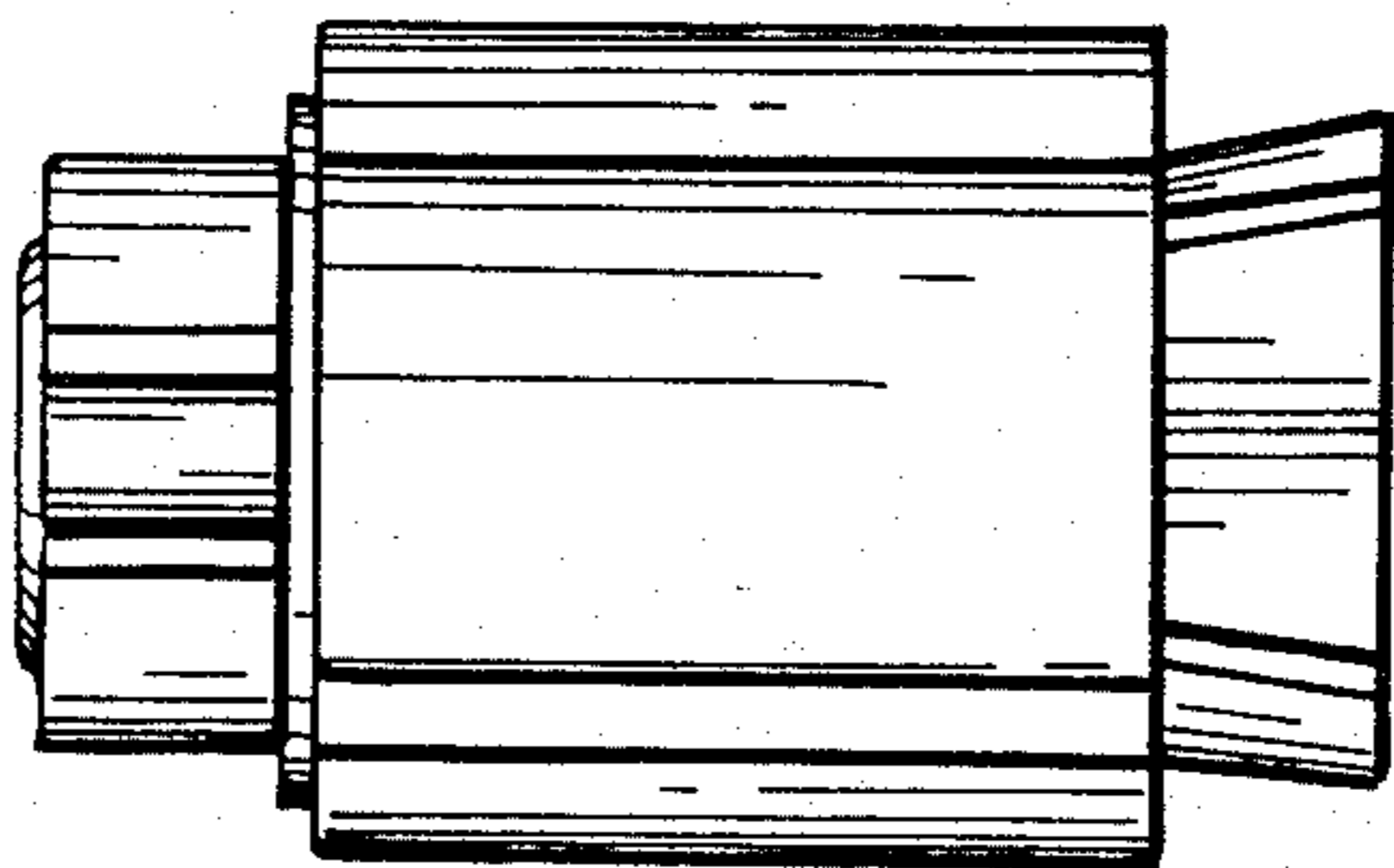


FIG. 7