

[54] DRILL BIT HOLDER FOR SHARPENING OR SIMILAR ARTICLE

[76] Inventor: Edward V. Welliver, 3522 Rotary Rd., Rockford, Ill. 61109

[\*\*] Term: 14 Years

[21] Appl. No.: 363,519

[22] Filed: Mar. 30, 1982

[52] U.S. Cl. .... D8/72

[58] Field of Search ..... D15/124-126, D15/199; 51/219 PC, 219 R, 277; D8/72

[56] References Cited

U.S. PATENT DOCUMENTS

D. 151,792	11/1948	Smith	.....	D8/72
2,109,308	2/1938	Adams	.	
2,670,215	2/1954	Fishwick	.	
2,768,485	10/1956	Clarke	.....	51/219 PC
2,797,538	7/1957	Studler	.	
2,958,167	11/1960	Meuller	.	
3,197,924	8/1965	Mitchell	.....	51/219 R
3,374,587	3/1968	Simpkins et al.	.....	51/219 R

3,393,476	7/1968	York	.....	51/219 R
4,001,975	1/1977	Bernard et al.	.	
4,142,332	3/1979	Clarke	.....	51/219 R
4,266,789	5/1981	Wahl et al.	.	

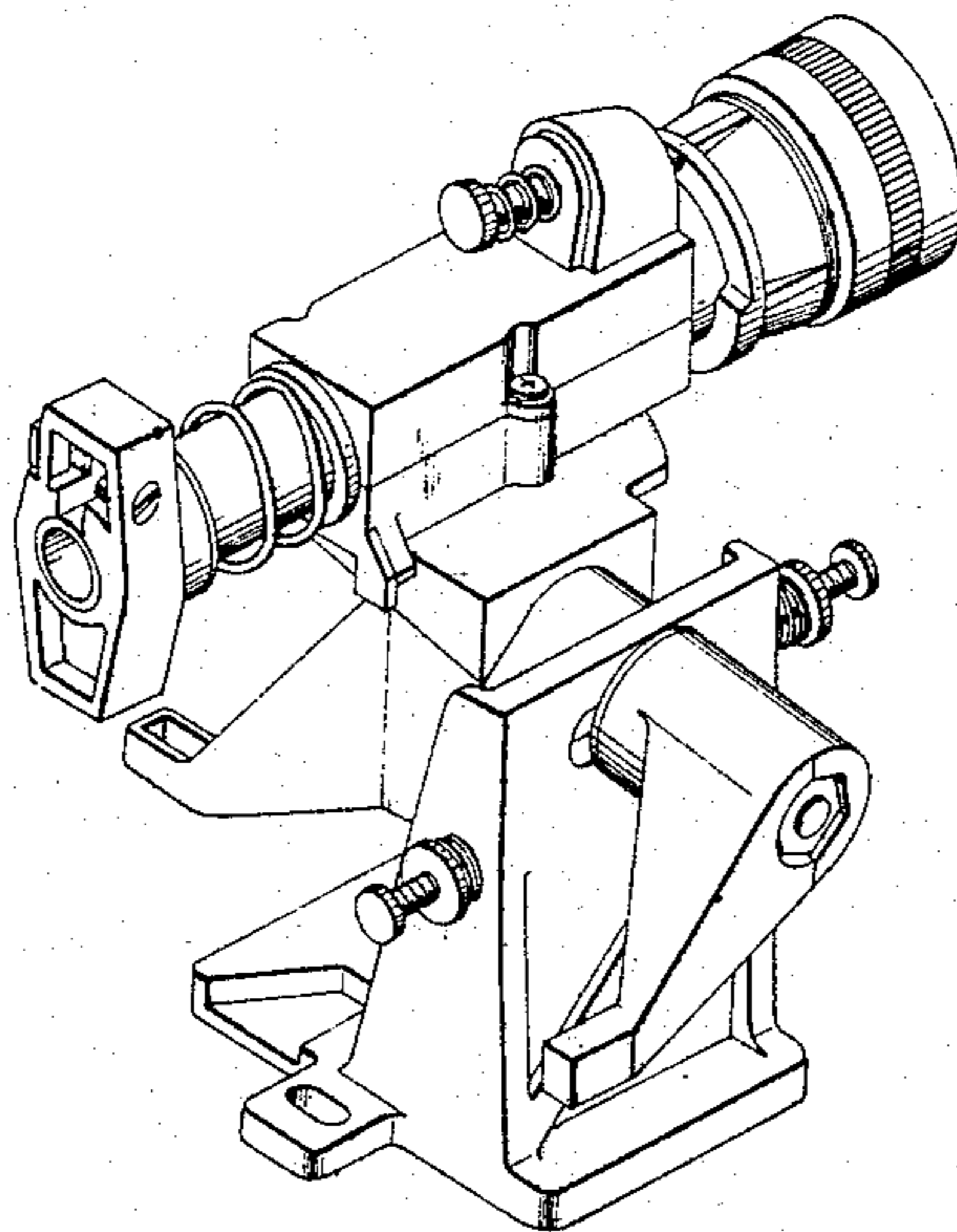
Primary Examiner—B. J. Bullock  
Attorney, Agent, or Firm—Berman, Aisenberg & Platt

[57] CLAIM

The ornamental design for a drill bit holder for sharpening or similar article, as shown and described.

DESCRIPTION

FIG. 1 is a side elevational view of a drill bit holder for sharpening or similar article showing my new design; FIG. 2 is a top plan view thereof; FIG. 3 is an end elevational view taken from the right of FIG. 1; FIG. 4 is an end elevational view taken from the left of FIG. 1; FIG. 5 is a side elevational view taken from the side opposite that shown in FIG. 1; FIG. 6 is a bottom plan view thereof; FIG. 7 is a perspective view thereof.



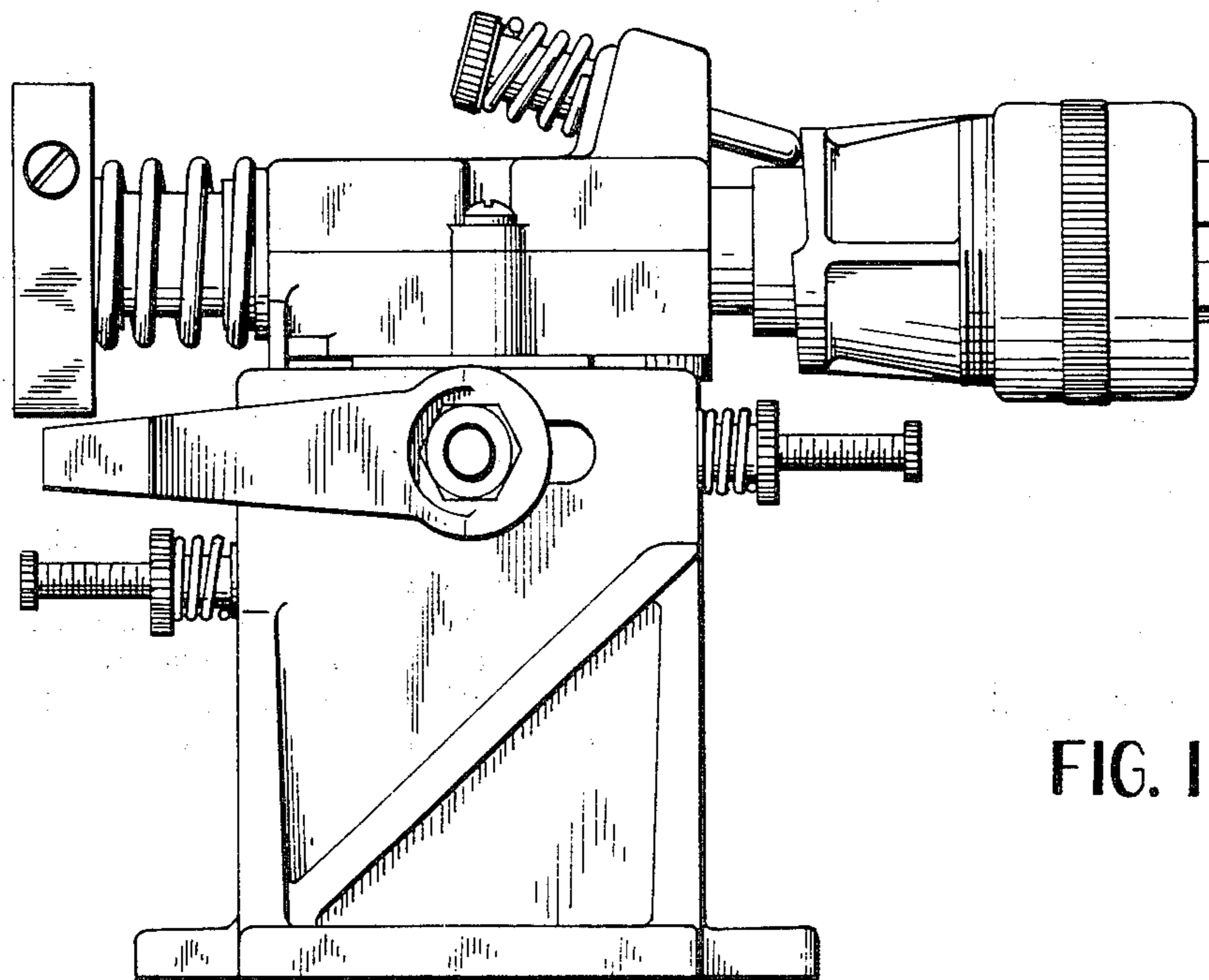


FIG. 1

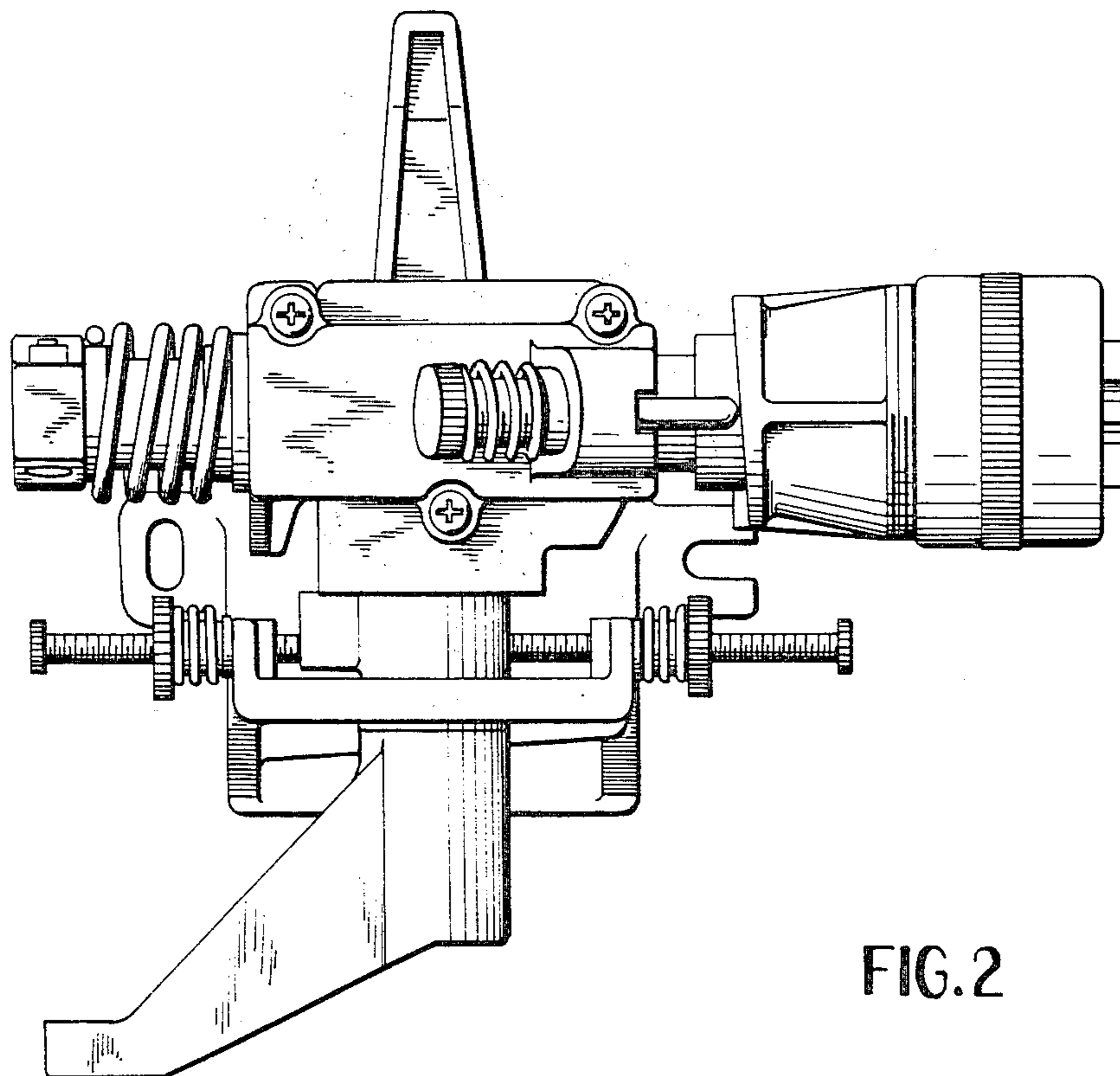


FIG. 2

FIG. 3

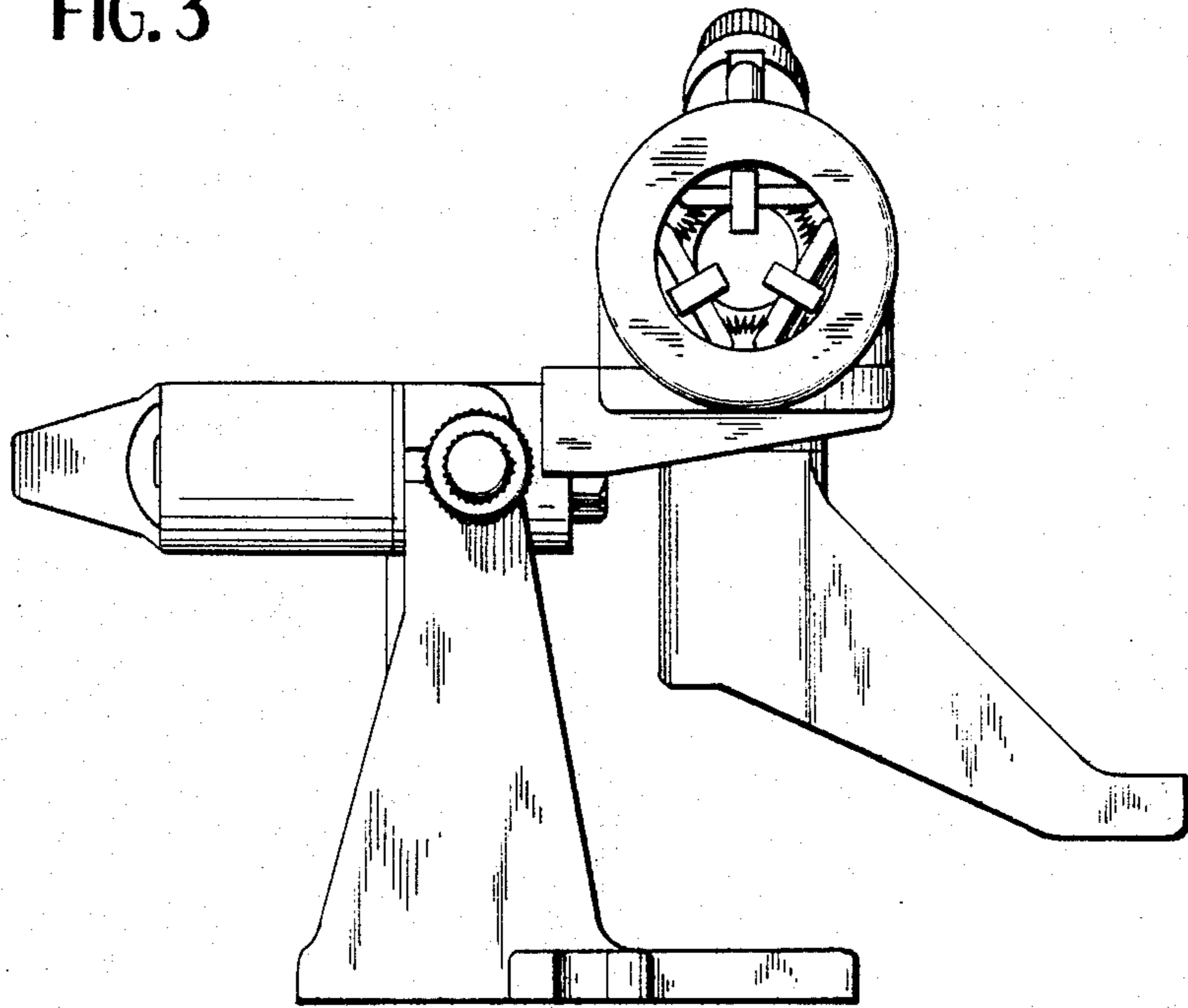
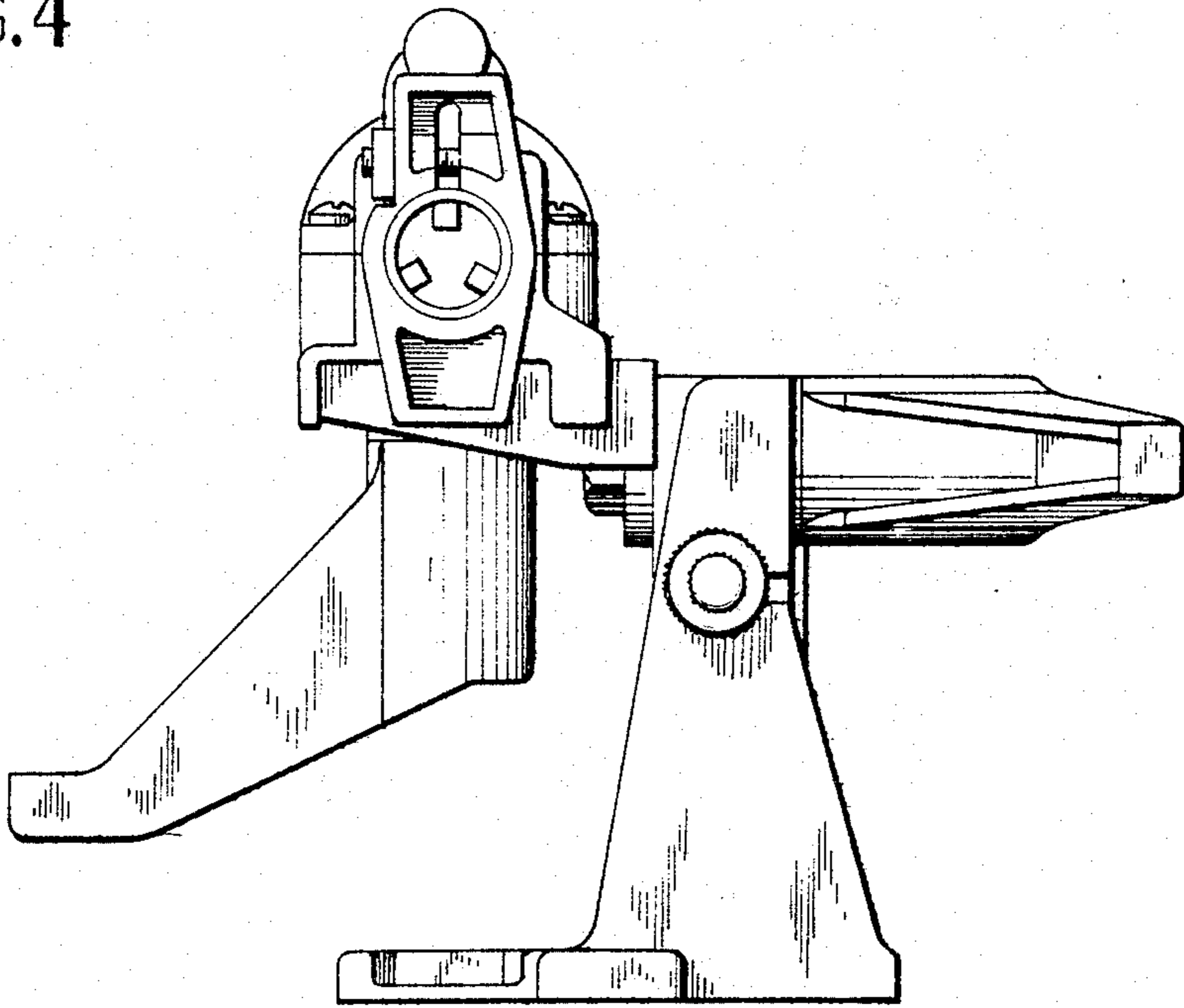


FIG. 4



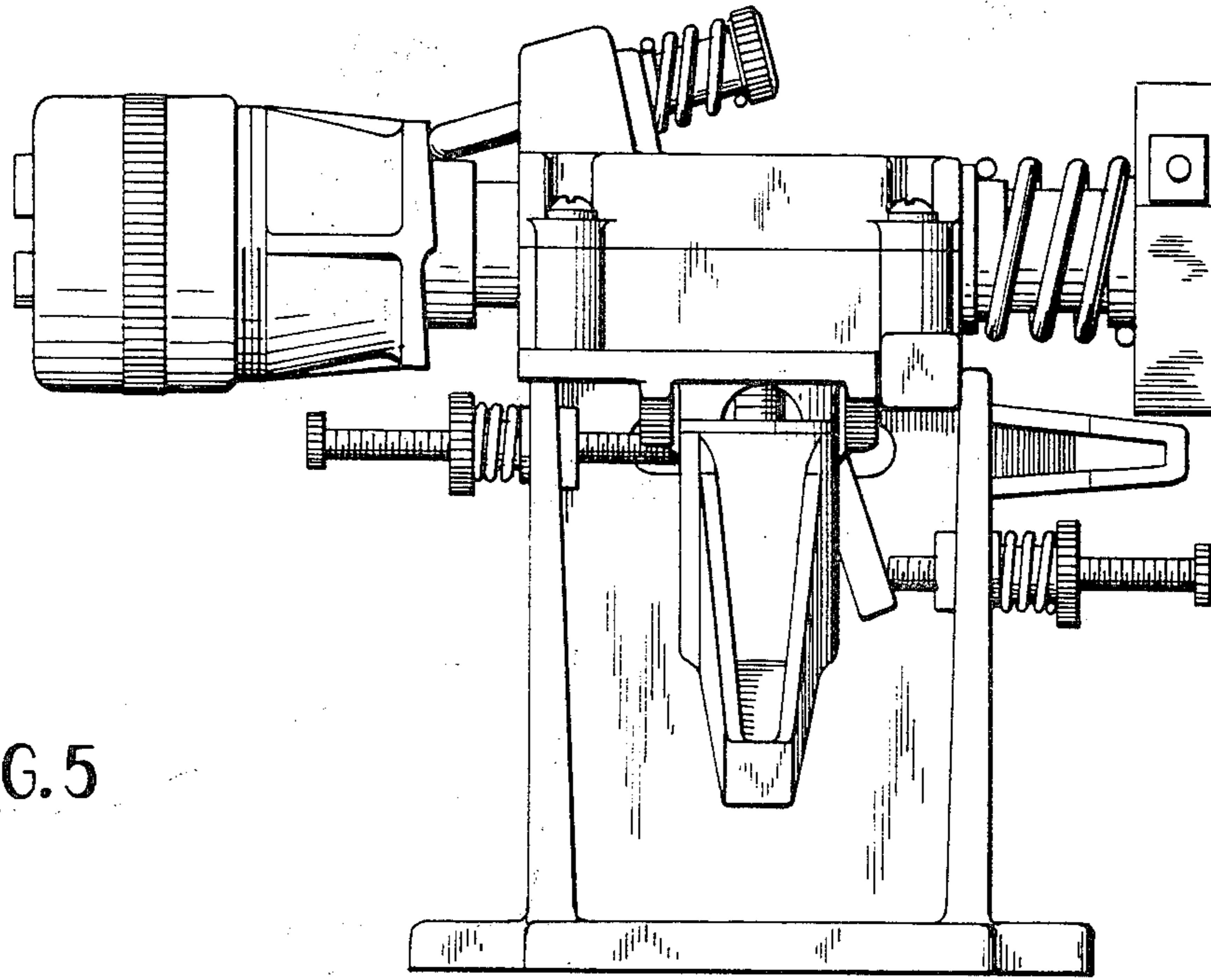


FIG. 5

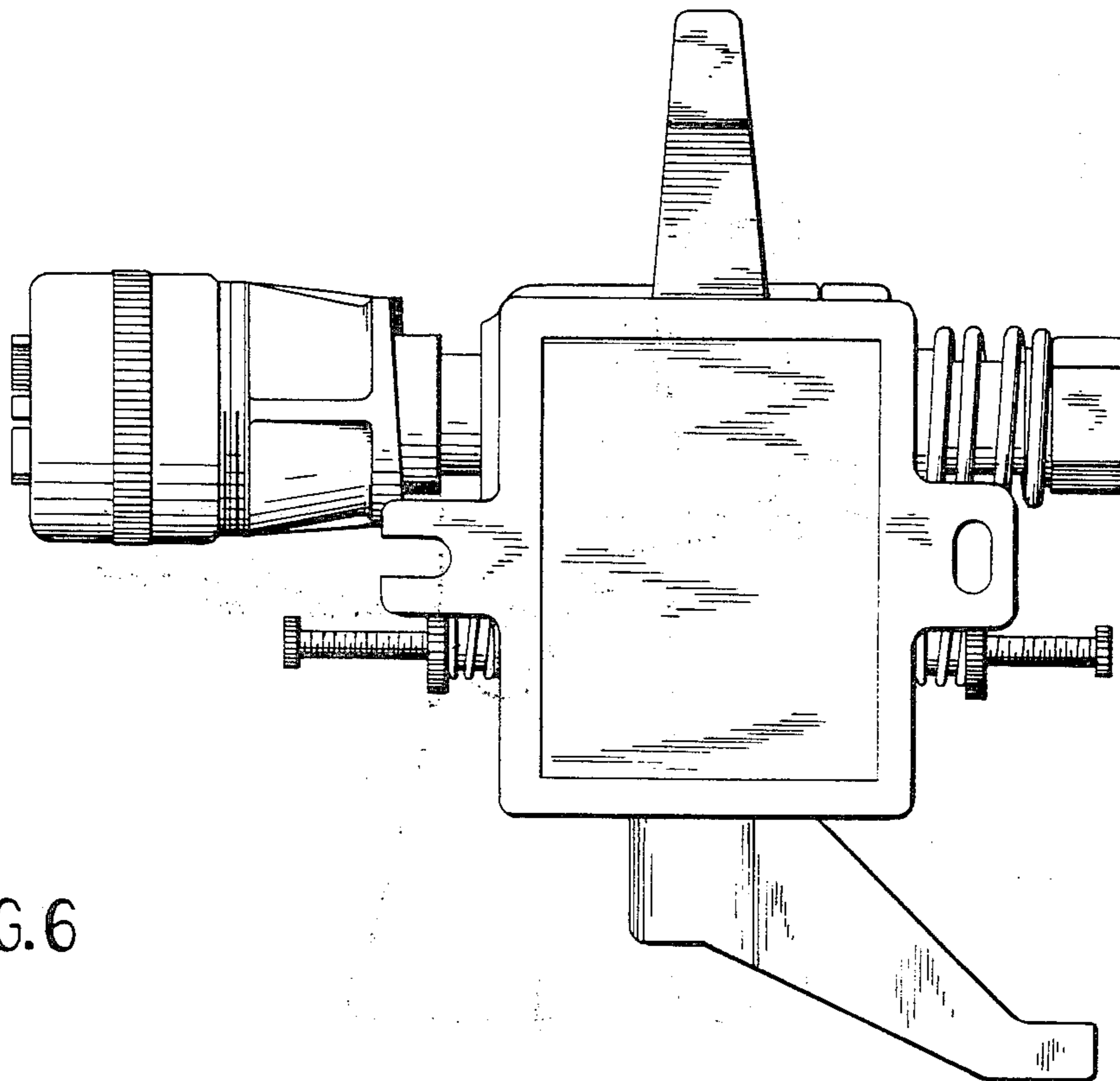


FIG. 6



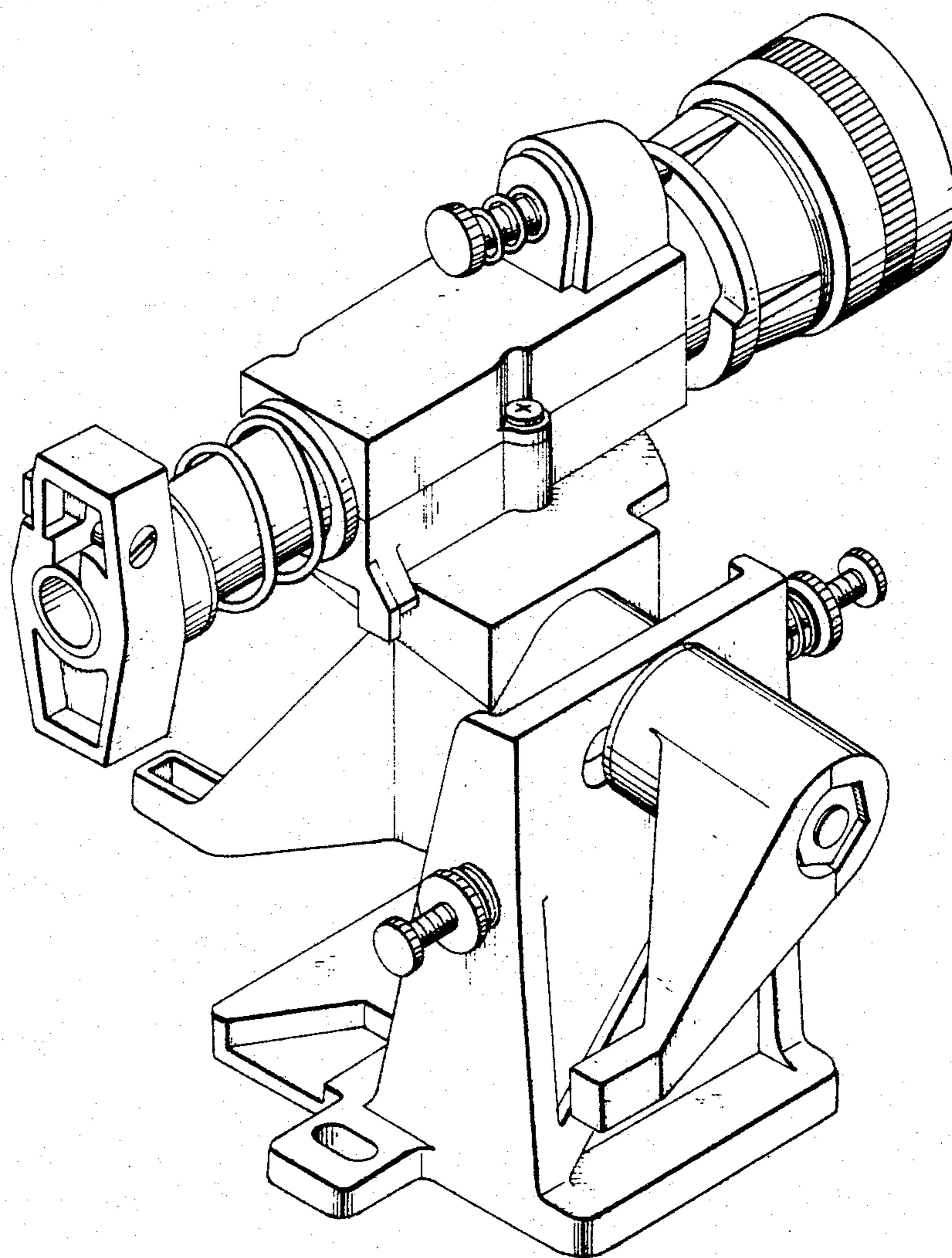


FIG. 7