

[54] SANDER/POLISHER

[75] Inventor: **Robert I. Somers, Raleigh, N.C.**
[73] Assignee: **Black & Decker Inc., Newark, Del.**
[**] Term: **14 Years**
[21] Appl. No.: **363,643**
[22] Filed: **Mar. 30, 1982**
[52] U.S. Cl. **D8/62**
[58] Field of Search **D8/61, 62; 51/109 R, 51/170 T**

[56] **References Cited**
U.S. PATENT DOCUMENTS
2,087,022 7/1937 Daum 51/170 T
3,251,086 5/1966 Springer 51/170 T
3,448,476 6/1969 Zaccone 51/170 T
3,585,427 5/1971 Paule 51/170 T X

OTHER PUBLICATIONS

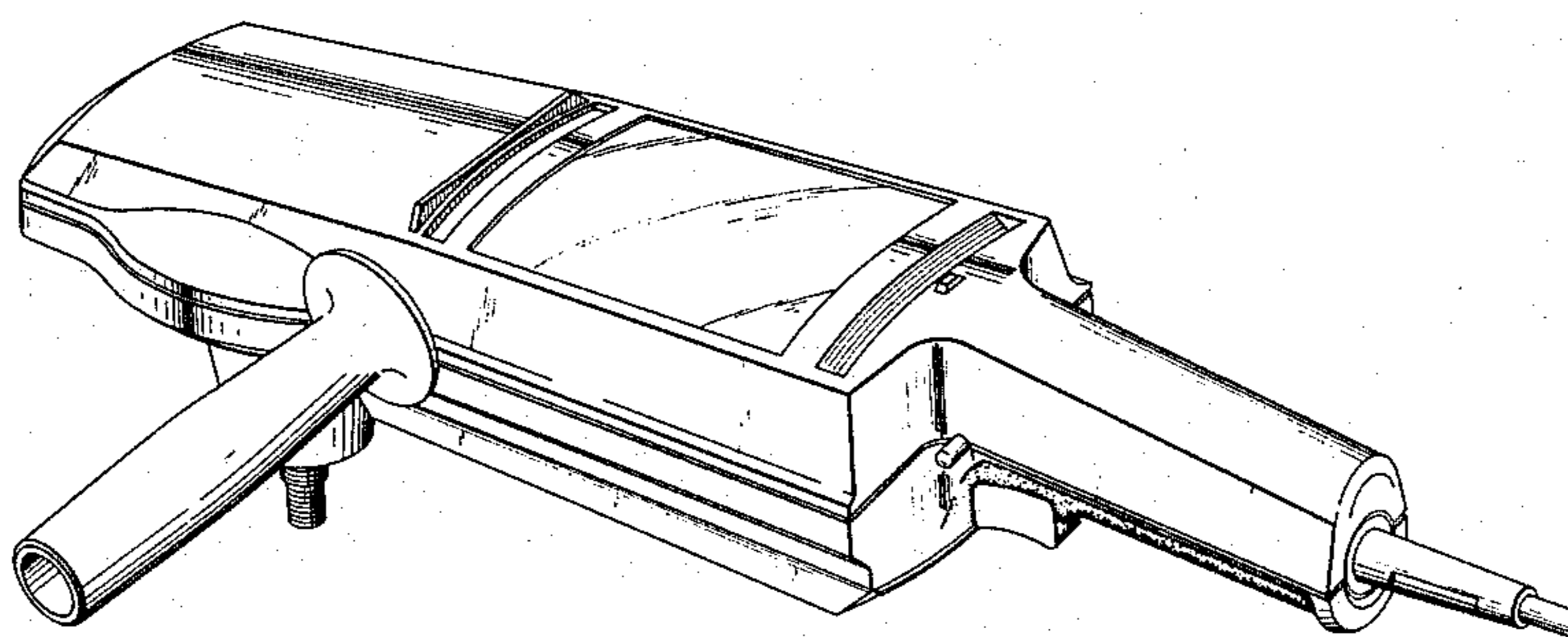
Black and Decker Heavy Duty Power Tool Catalog-p. 2, Extra Heavy Duty Angle/Sanders-Grinders.
Primary Examiner—Susan J. Lucas
Assistant Examiner—Clare E. Heflin
Attorney, Agent, or Firm—Finnegan, Henderson, Farabow, Garrett & Dunner

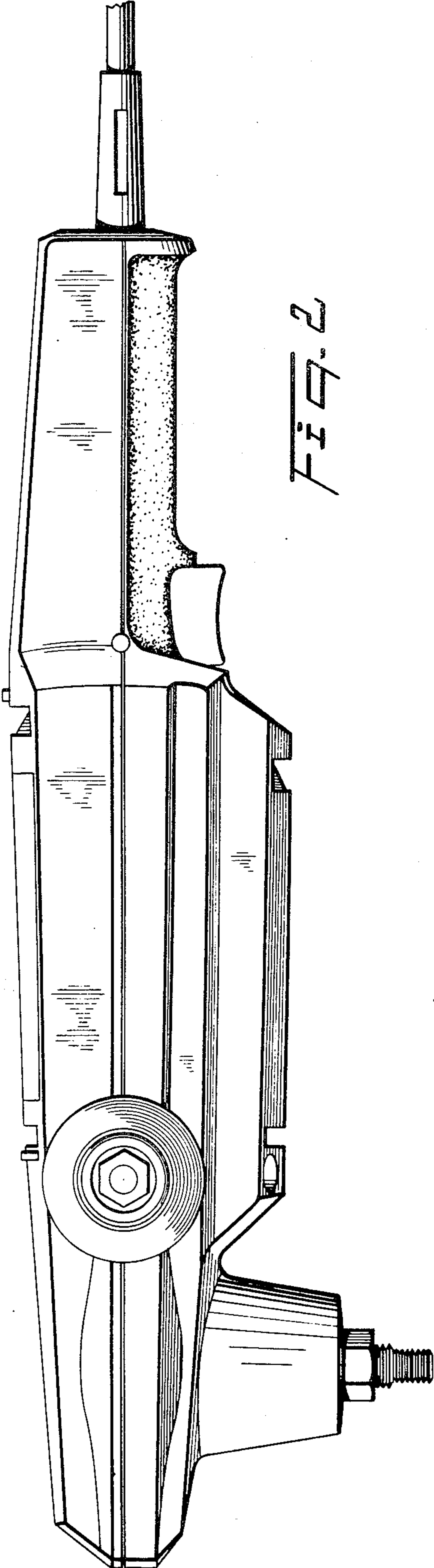
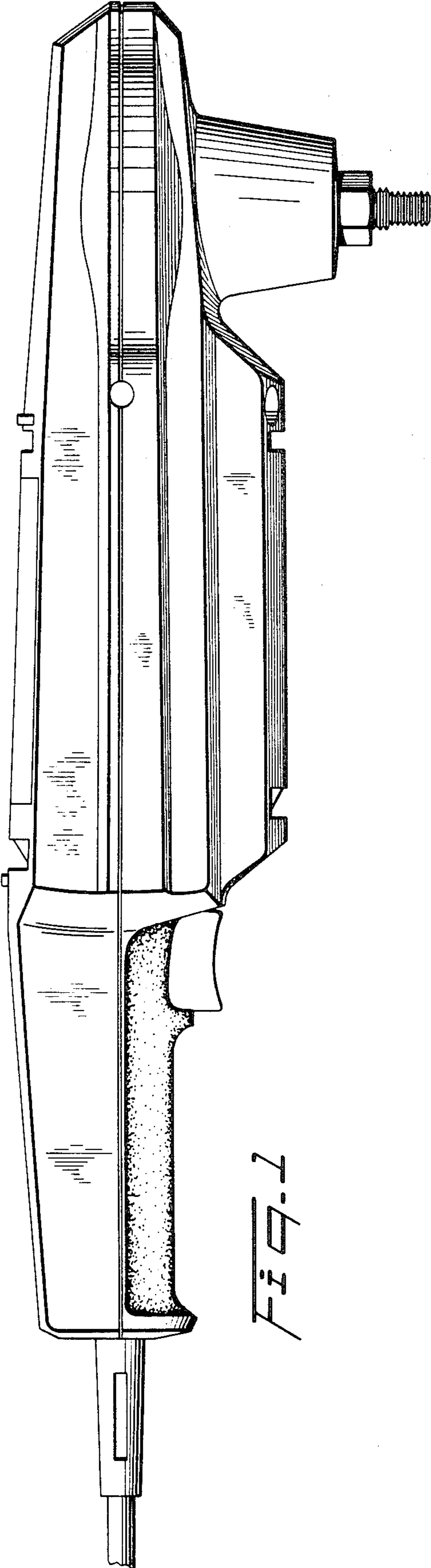
[57] **CLAIM**

The ornamental design for a sander/polisher, as shown and described.

DESCRIPTION

FIG. 1 is a right side view of a sander/polisher showing my new design;
FIG. 2 is a left side view thereof;
FIG. 3 is a fragmentary top view thereof, the handle being broken away for convenience of illustration;
FIG. 4 is a fragmentary bottom view thereof, the handle being broken away for convenience of illustration;
FIG. 5 is an end view thereof;
FIG. 6 is the opposite end view thereof;
FIG. 7 is a perspective view thereof.





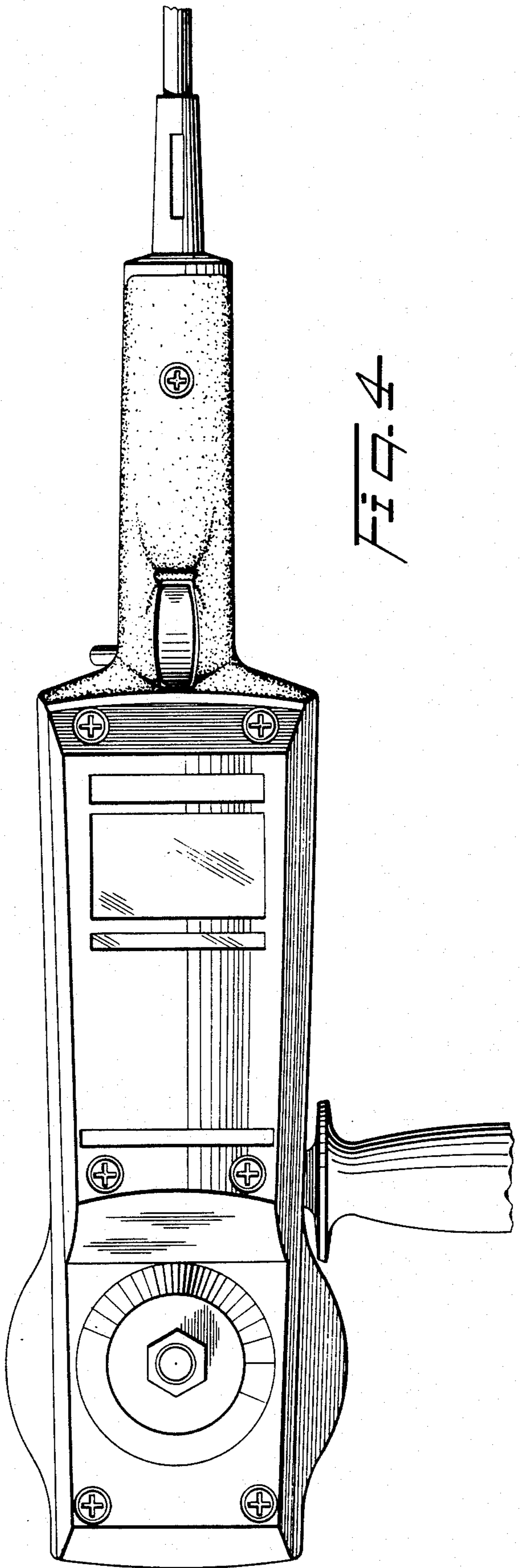
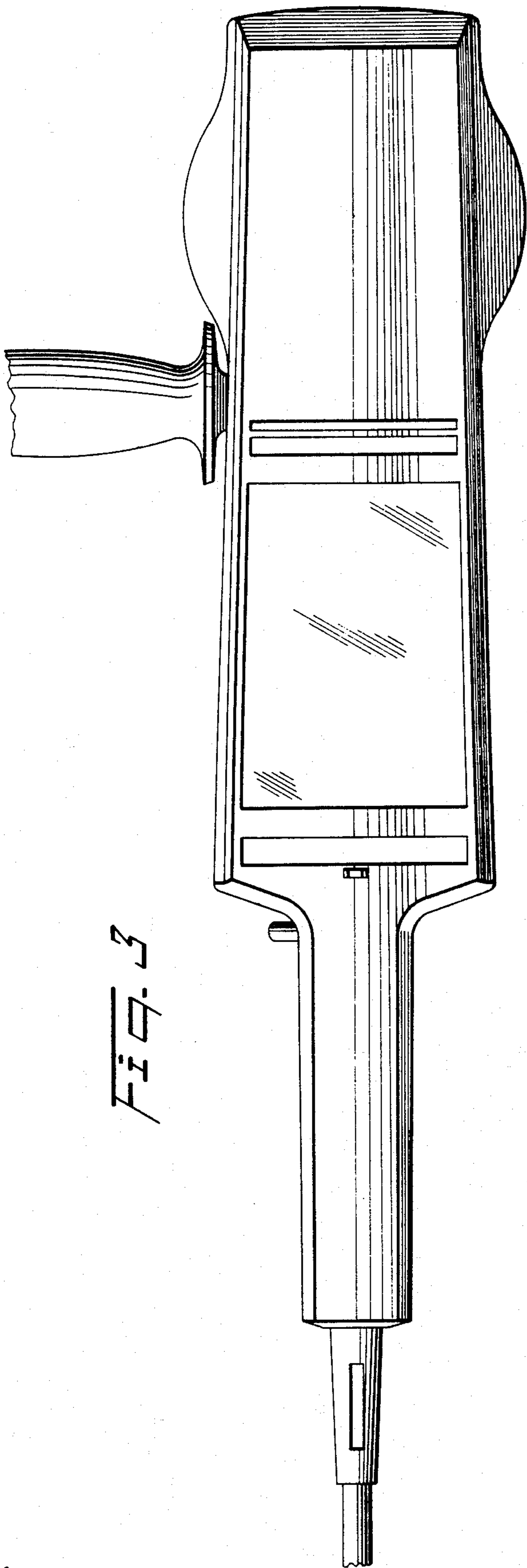


FIG. 5

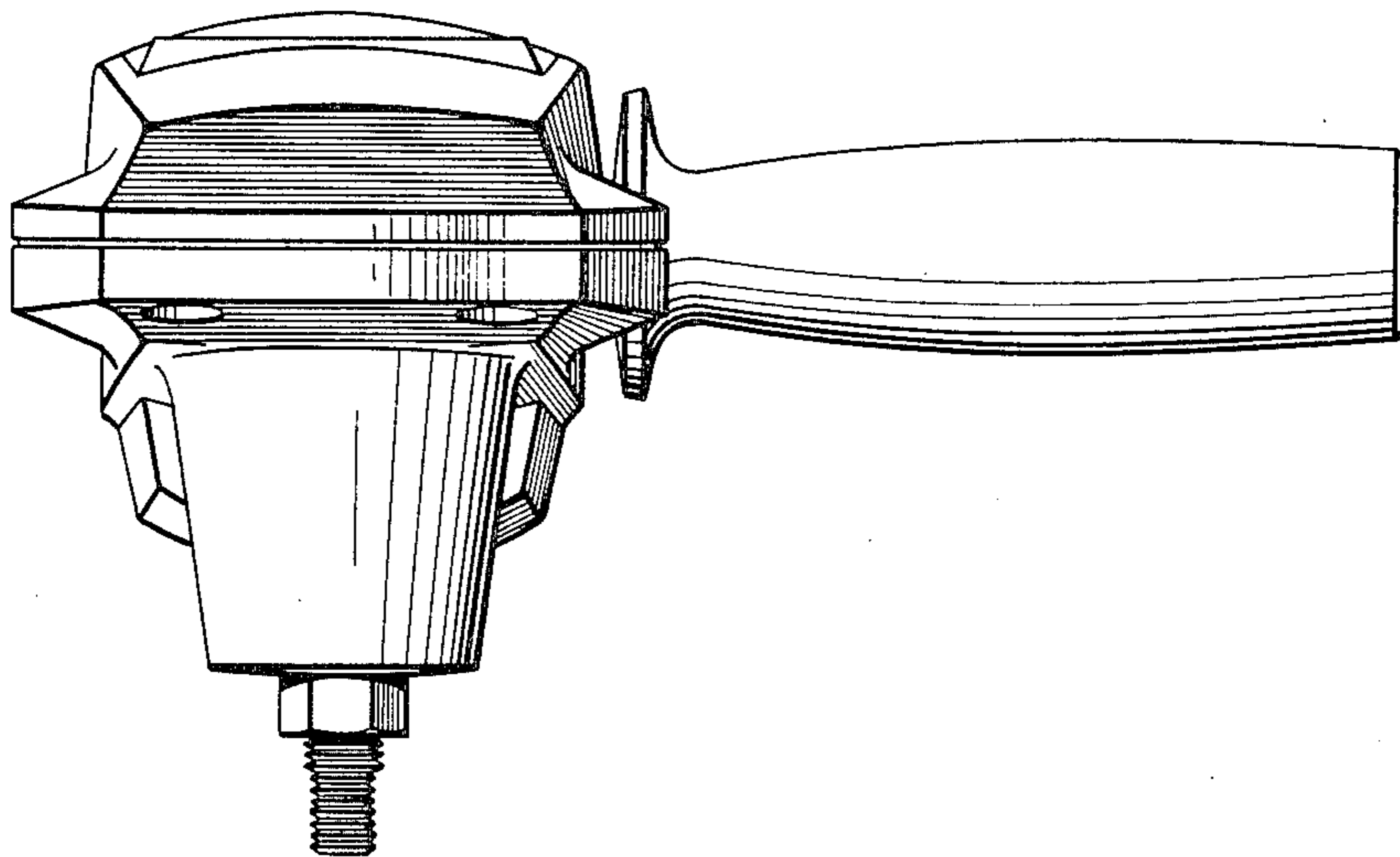
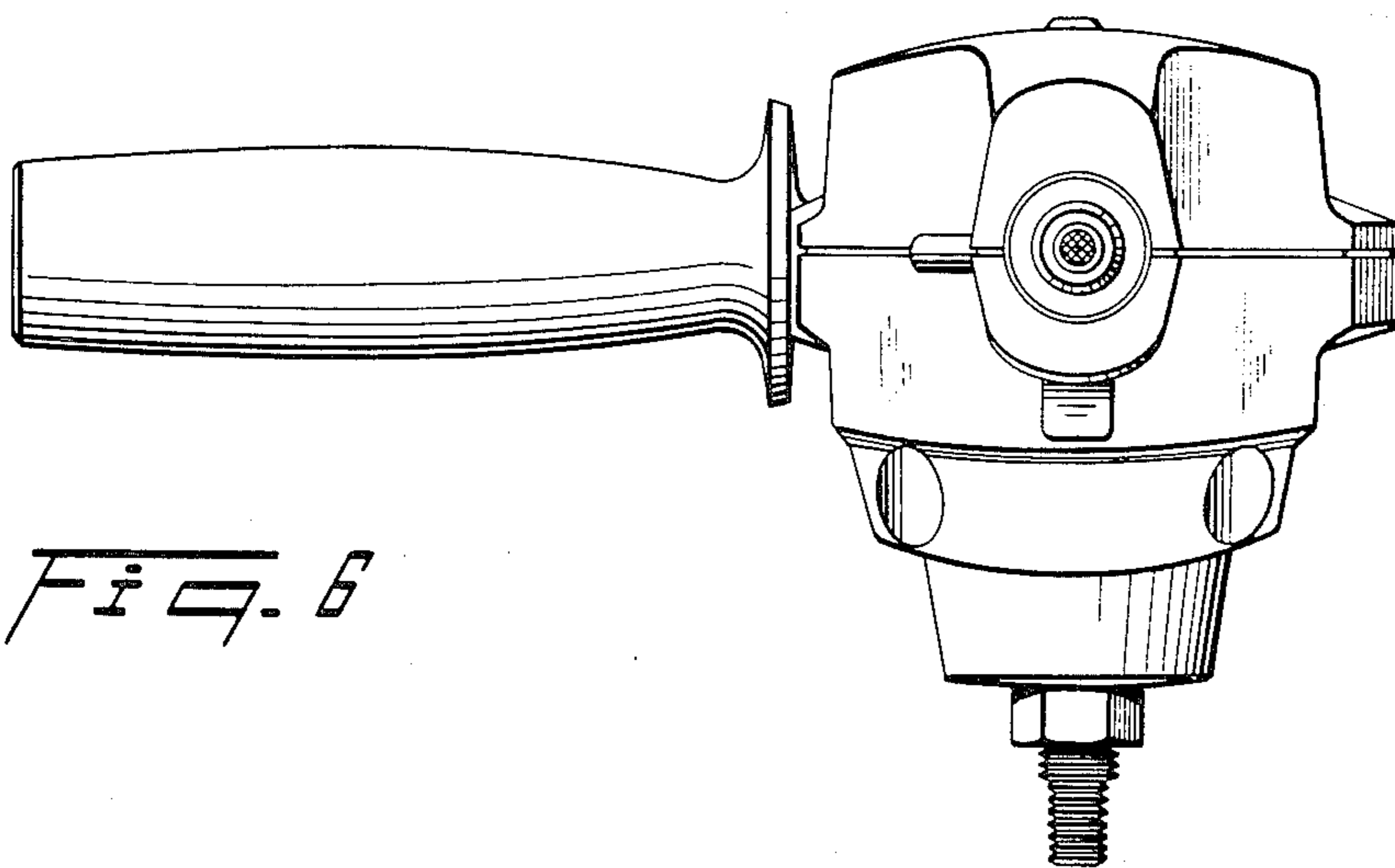


FIG. 6



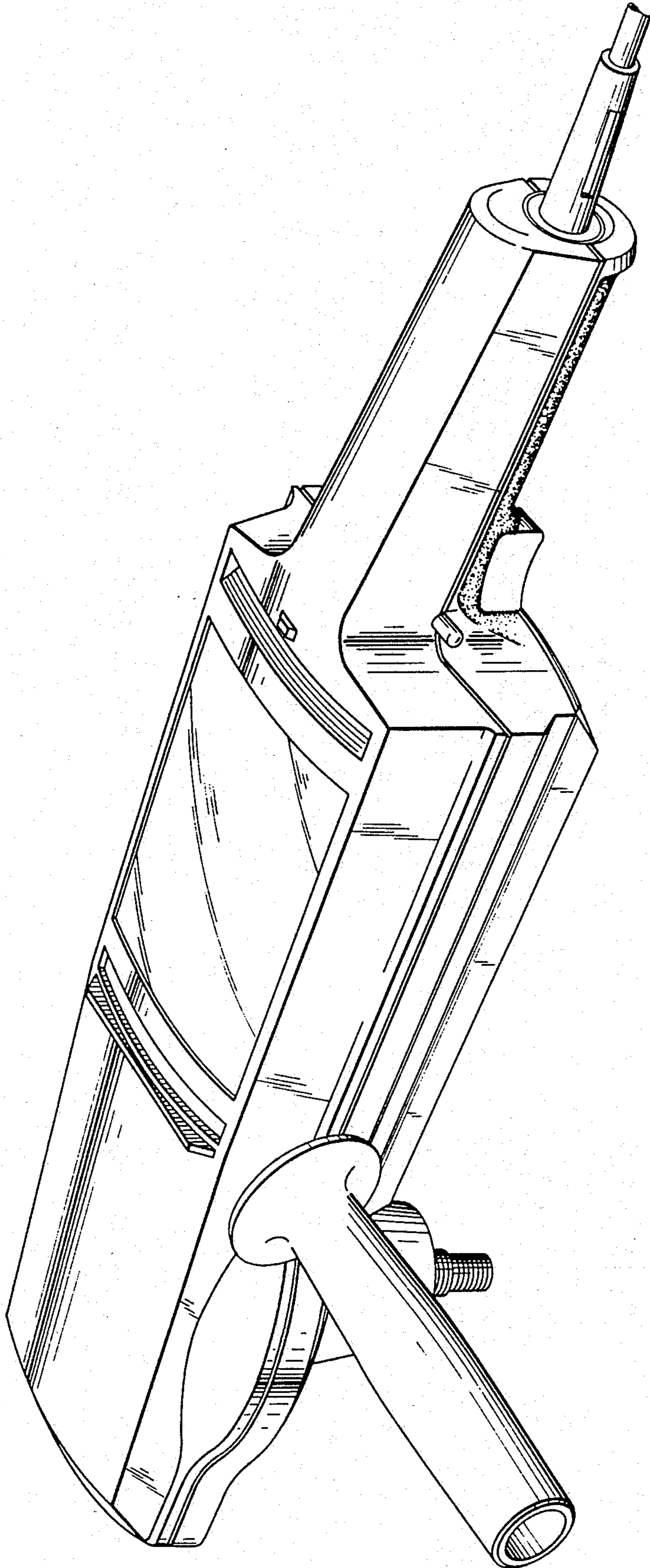


FIG. 7