

United States Patent [19]

TePastte et al.

[11] Patent Number: **Des. 277,637**

[45] Date of Patent: **** Feb. 19, 1985**

[54] **WOOD SPLITTER**

[76] Inventors: **Jeffrey H. TePastte**, 2797 Croton Rd., Newago, Mich. 49337; **Kenneth L. Friedrich**, 11337-52nd St., Lowell, Mich. 49331

[**] Term: **14 Years**

[21] Appl. No.: **525,016**

[22] Filed: **Aug. 22, 1983**

Related U.S. Application Data

[63] Continuation-in-part of Ser. No. 212,692, Dec. 3, 1980.
[52] U.S. Cl. **D8/47; D8/1**
[58] Field of Search **D8/47, 51, 107, 106; 144/193 C, 193 D, 193 R; 173/90, 102, 91; 254/104; 16/115**

[56] References Cited

U.S. PATENT DOCUMENTS

D. 257,575 12/1980 Ideen D8/47
776,191 11/1904 Lynch 144/193 C
2,328,661 9/1943 Maloney 262/12
2,474,037 6/1949 Cuthrell 144/34
2,484,281 10/1949 Gardner D7/106
2,526,362 10/1950 Johnston 164/46
2,691,512 10/1954 Arizio 262/12
2,783,670 3/1957 Graves et al. 81/52.35
2,934,984 3/1960 Woodman 144/193 C
3,050,095 9/1962 Prather 144/193
3,313,356 4/1967 Clevenger 173/91
3,377,052 4/1968 Hagen 254/104
3,409,095 11/1968 Bardwell 175/299
3,791,012 2/1974 Jenkin 173/91
3,865,163 2/1975 Root 144/193 A

3,927,609 12/1975 Scott D7/106
4,101,088 7/1978 Stauth 144/193 C
4,254,808 3/1981 Nokes 144/193 C
4,308,903 1/1982 Alloway 144/193 C
4,327,787 5/1982 Loratto 144/193 C

FOREIGN PATENT DOCUMENTS

48054 2/1964 Poland 144/193 B

OTHER PUBLICATIONS

Grate-Heater Co., *New! Wedge Driver Log Splitter*, (publication date unknown).

Introducing the Revolutionary Amazing New Slam Splitter, (publication date unknown).

Primary Examiner—A. Hugo Word

Assistant Examiner—Horace B. Fay

Attorney, Agent, or Firm—Price, Heneveld, Huizenga & Cooper

[57] CLAIM

The ornamental design for a wood splitter, as shown and described.

DESCRIPTION

FIG. 1 is a perspective view of a wood splitter showing our new design;

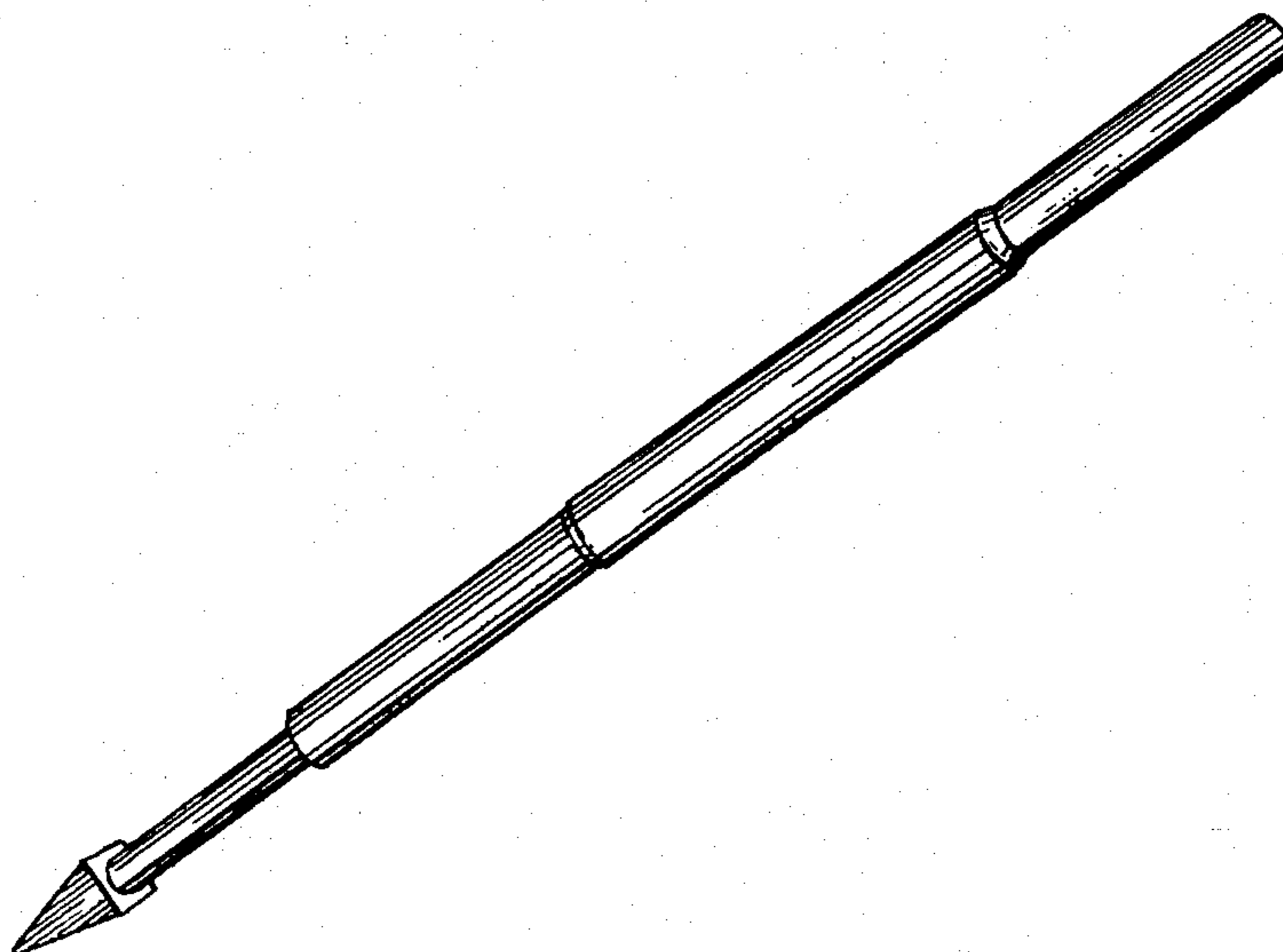
FIG. 2 is a left-hand side elevational view thereof, with the right-hand side elevational view being substantially identical;

FIG. 3 is a front elevational view thereof, with the rear elevational view being substantially similar;

FIG. 4 is a top end view thereof;

FIG. 5 is a bottom view thereof; and

FIG. 6 is an enlarged and fragmentary side elevational view of a portion of the handle thereof, as shown more fully in FIG. 2.



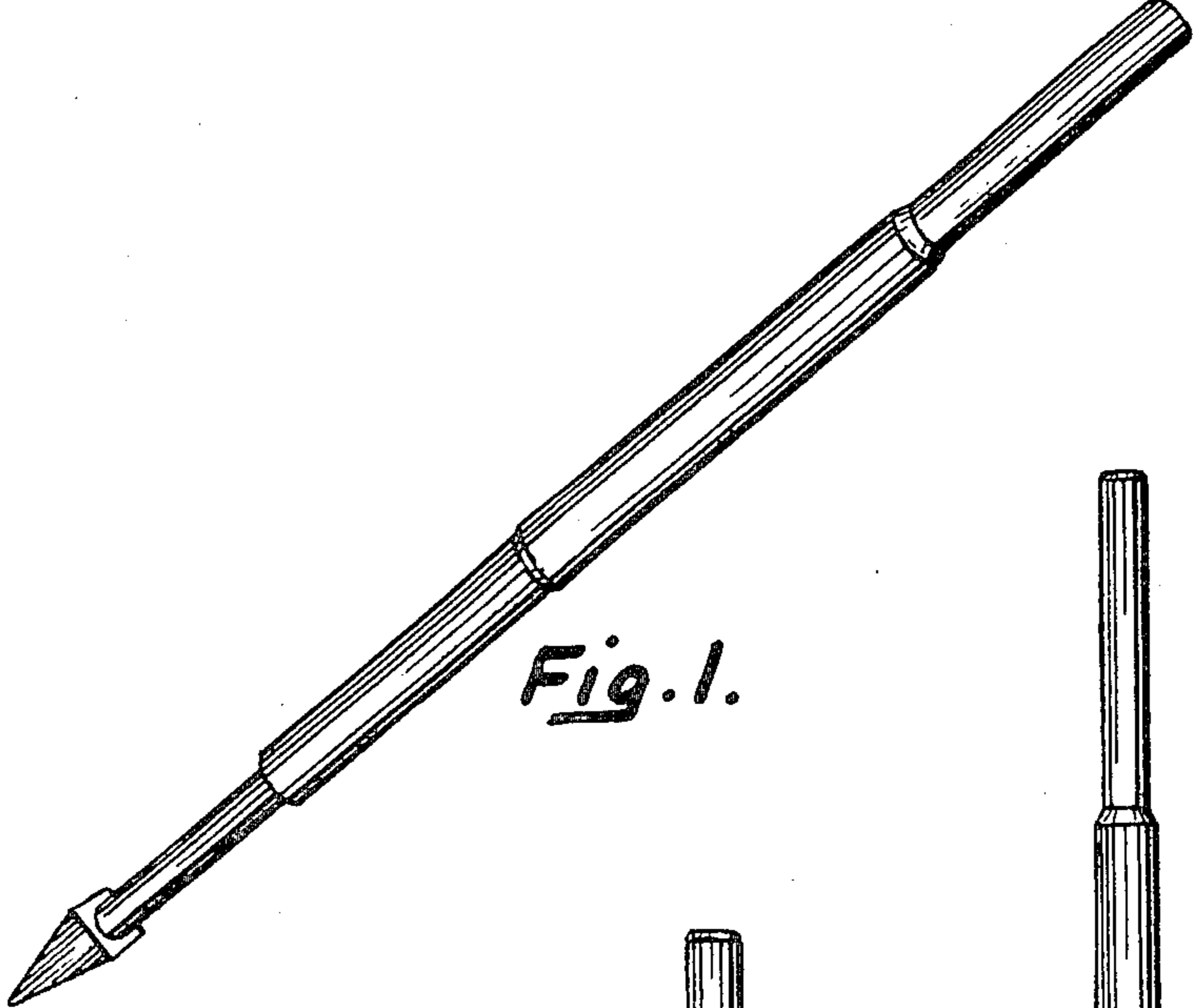
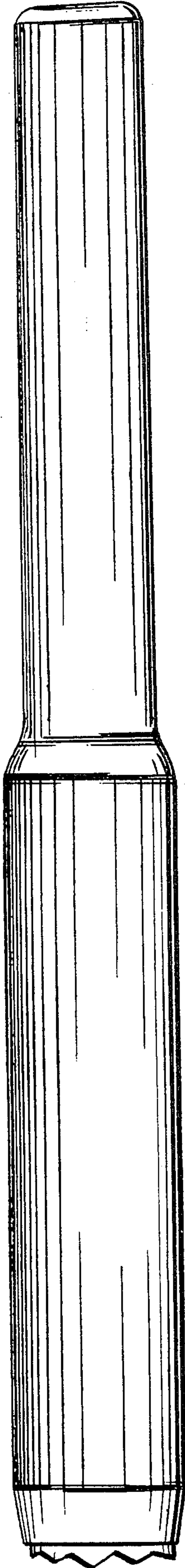


Fig. 1.

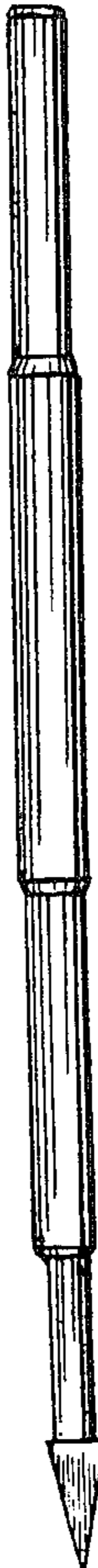


Fig. 2.



Fig. 3.



Fig. 4.



Fig. 5.

Fig. 6.