

# United States Patent [19]

Doggett

[11] Patent Number: **Des. 277,634**

[45] Date of Patent: **\*\* Feb. 19, 1985**

[54] **FOOD PROCESSOR POWER UNIT**  
[75] Inventor: **Lawrence A. Doggett, Dayton, Ohio**  
[73] Assignee: **Hobart Corporation, Troy, Ohio**  
[\*\*] Term: **14 Years**  
[21] Appl. No.: **451,128**  
[22] Filed: **Dec. 20, 1982**  
[52] U.S. Cl. .... **D7/386; D7/378**  
[58] Field of Search ..... **D7/412, 384, 378; 366/129**

D. 255,758 7/1980 Steinkamp et al. .... D7/384  
D. 256,087 7/1980 Minami ..... D7/384  
4,199,268 4/1980 Parzych ..... D7/384 X  
4,250,771 2/1981 Berler ..... D7/412 X

*Primary Examiner*—Bernard Ansher  
*Assistant Examiner*—Linda M. Titolo  
*Attorney, Agent, or Firm*—Biebel, French & Nauman

### [57] CLAIM

The ornamental design of a food processor power unit, substantially as shown and described.

### DESCRIPTION

FIG. 1 is a top front perspective view of a food processor power unit showing my new design; FIG. 2 is a top plan view thereof; FIG. 3 is a front elevation view thereof; FIG. 4 is a rear elevation view thereof; and FIG. 5 is an elevation view thereof as seen from the opposite side from FIG. 1. The broken lines representing the food processor container member are shown for illustrative purposes only.

### [56] References Cited U.S. PATENT DOCUMENTS

D. 198,070 4/1964 Musichuk ..... D7/378 X  
D. 200,285 2/1965 Madl ..... D7/378 X  
D. 204,224 3/1966 Gantz ..... D7/378 X  
D. 209,652 12/1967 Weiss ..... D7/378 X  
D. 251,231 3/1979 Hashimoto ..... D7/384  
D. 254,161 2/1980 Verdun ..... D7/384

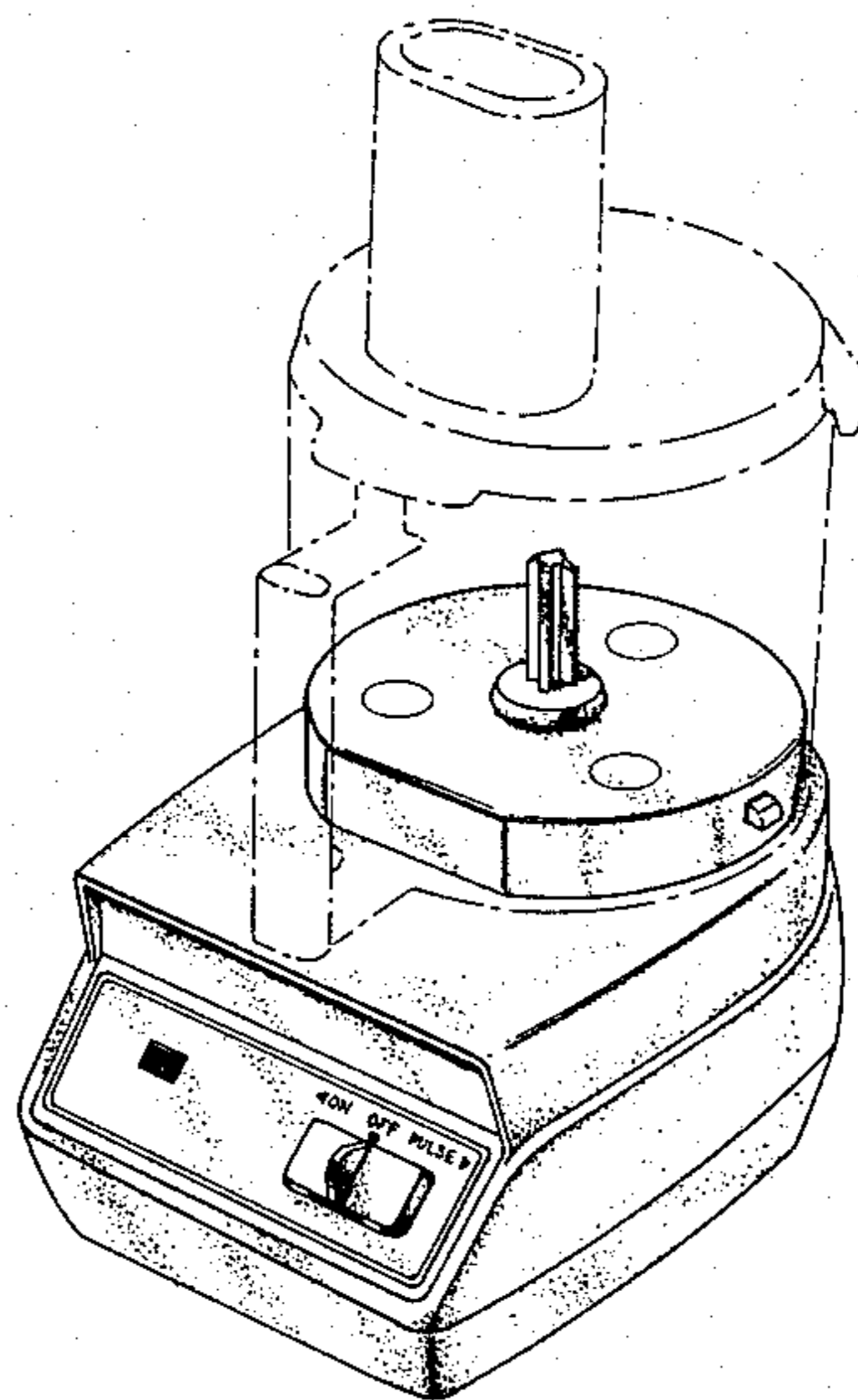


FIG-1

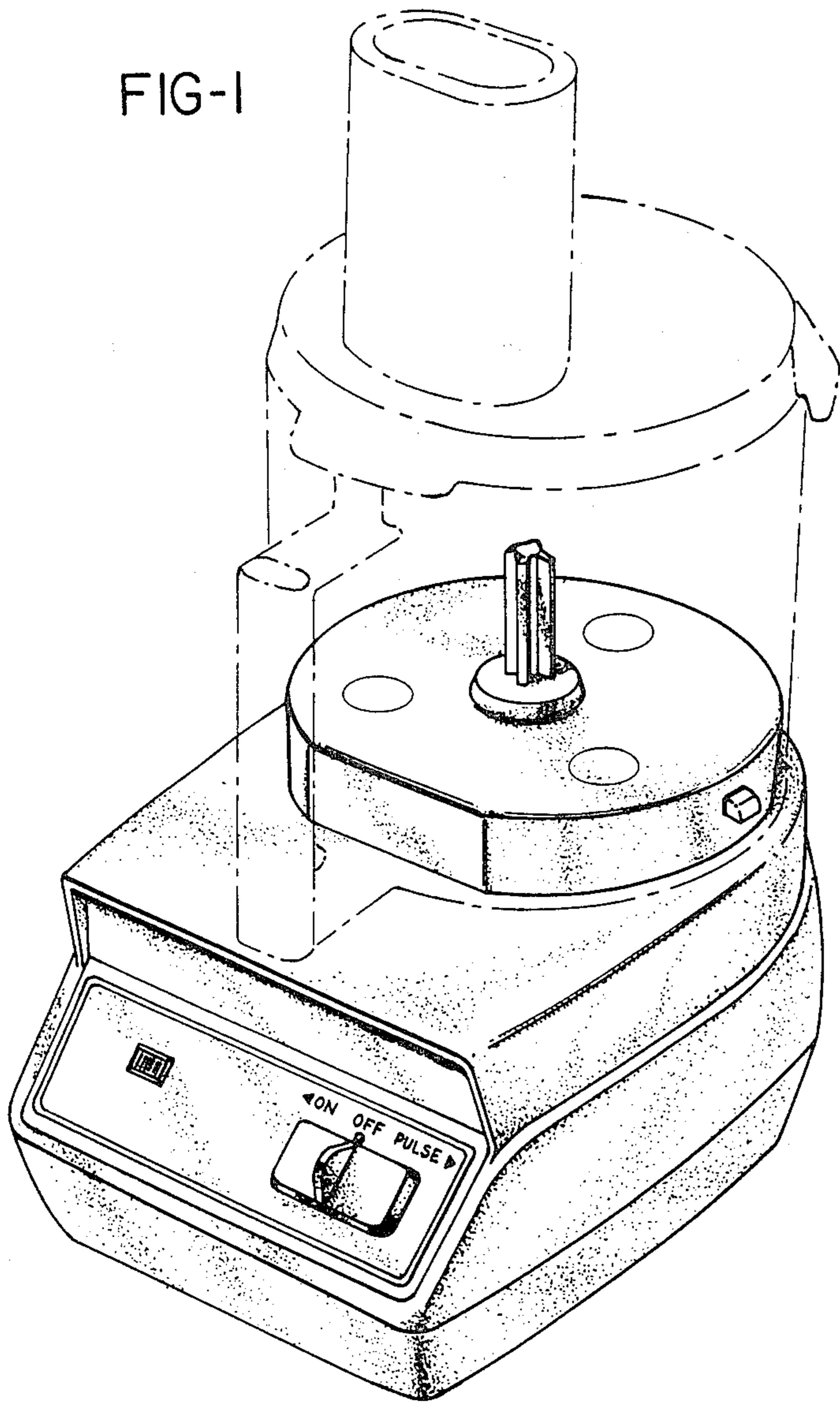


FIG-2

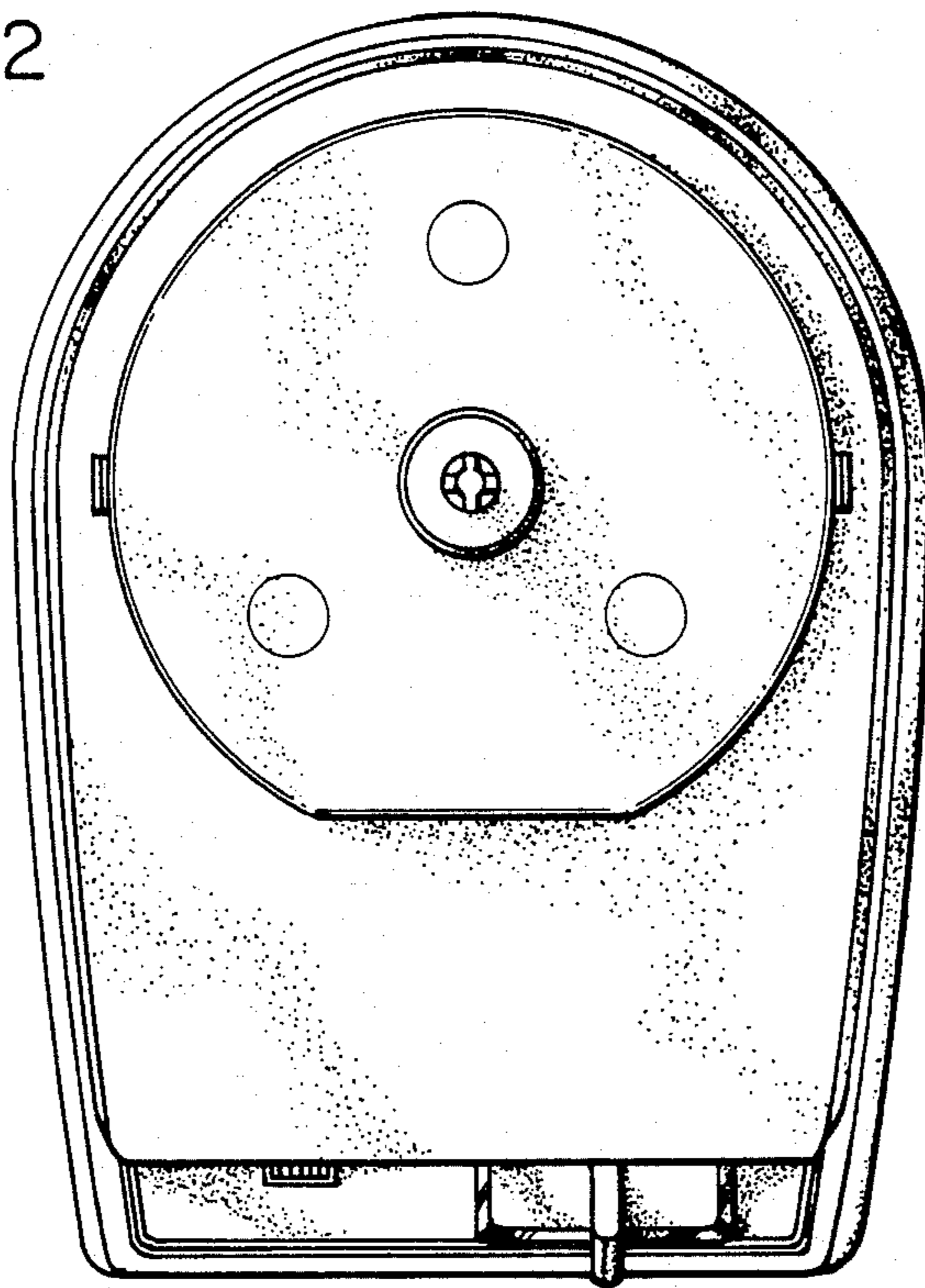


FIG-3

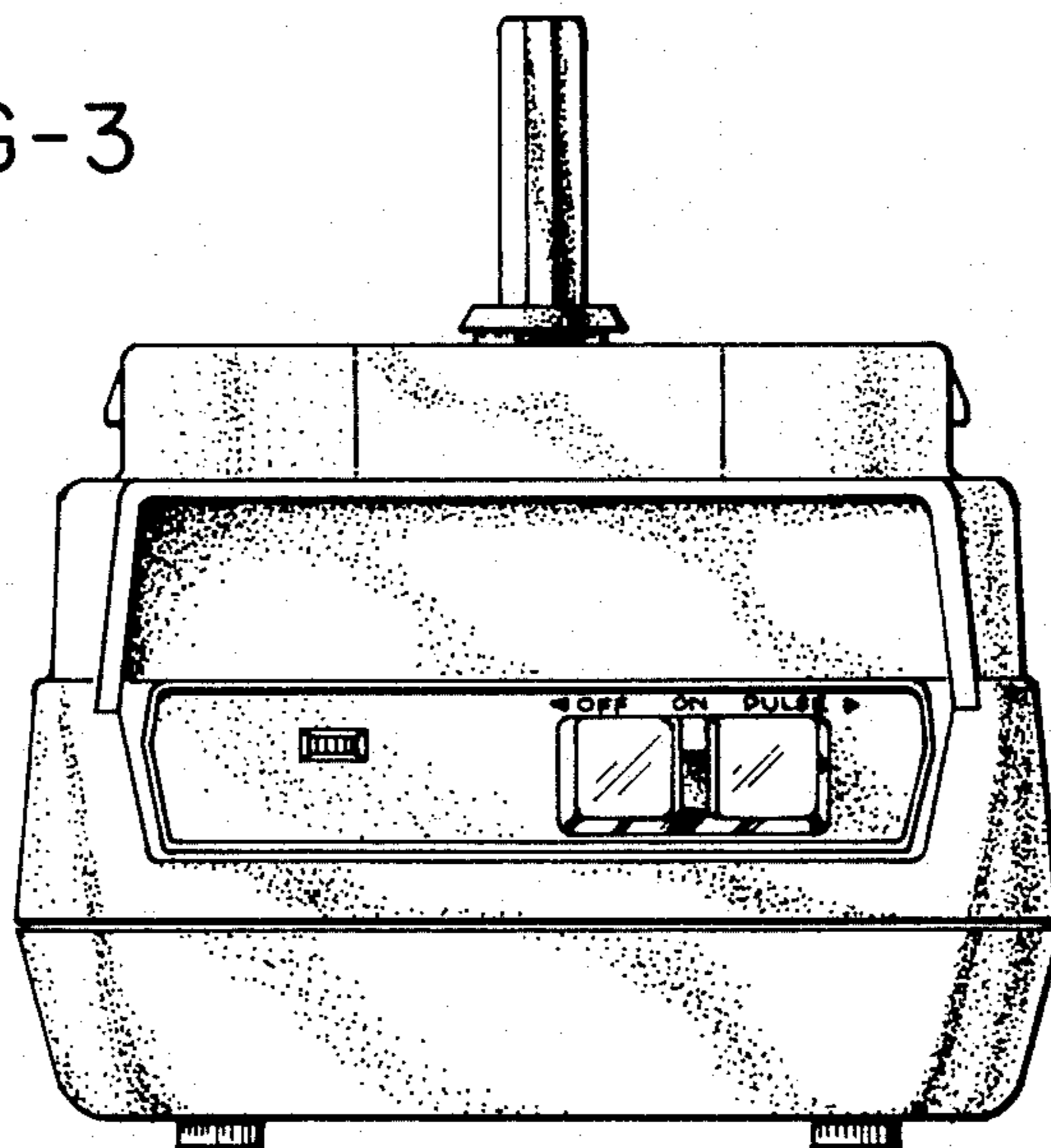


FIG-4

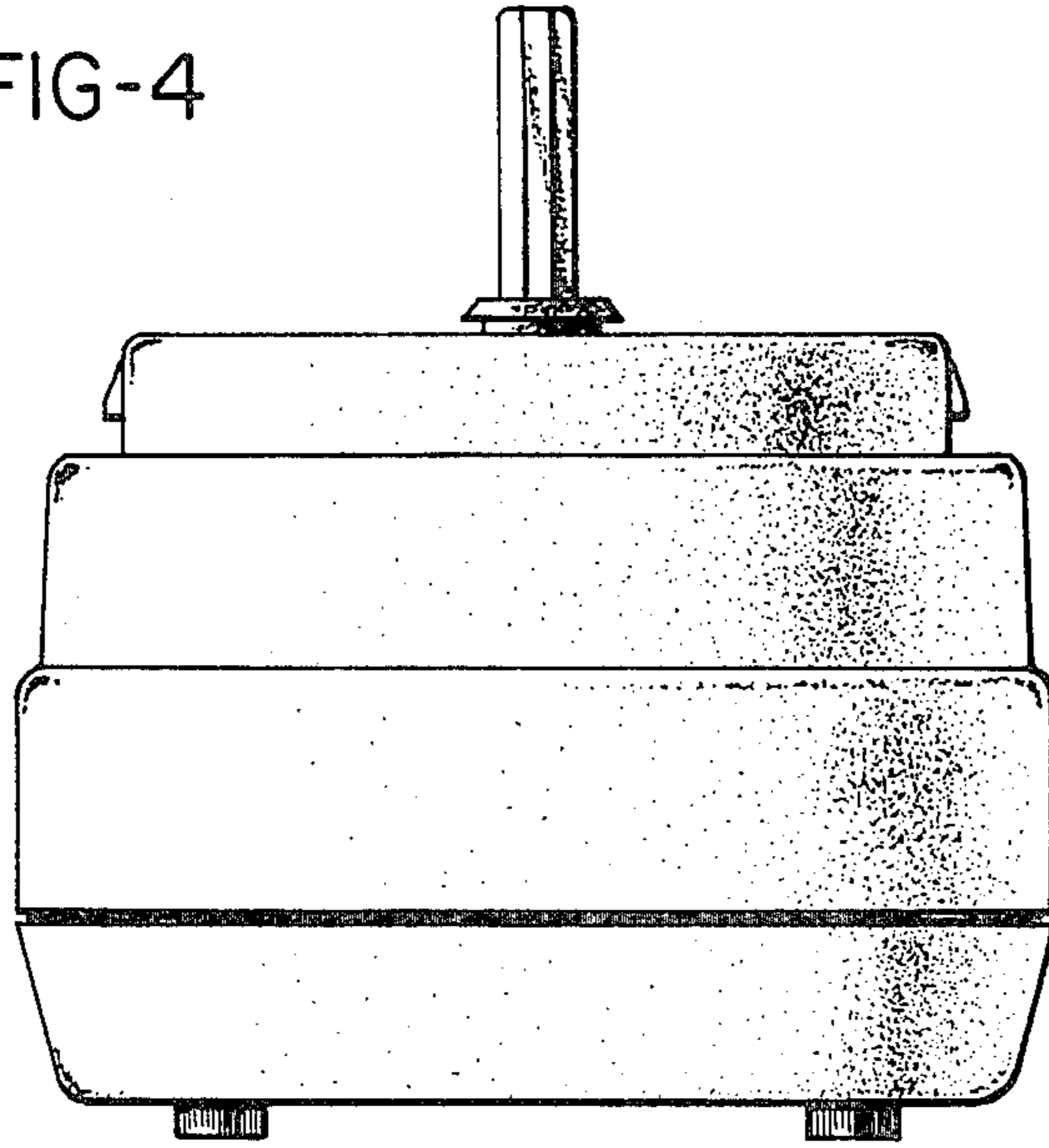


FIG-5

