

[54] DISPENSER FOR CANDY, NUTS OR THE LIKE

[75] Inventor: Thomas M. McClellan, 208 Alger Dr., Blue Springs, Mo. 64015

[73] Assignee: Thomas M. McClellan, Blue Springs, Mo.

[\*\*] Term: 14 Years

[21] Appl. No.: 383,015

[22] Filed: May 28, 1982

[52] U.S. Cl. .... D7/76; D7/79; D7/311; D20/7

[58] Field of Search ..... D7/76, 300, 306, 307, D7/313, 312, 311, 301, 397, 399; D20/1, 7

[56] References Cited

U.S. PATENT DOCUMENTS

- D. 40,043 6/1909 Watt ..... D20/7
- D. 44,615 9/1913 Paul ..... D20/7
- D. 154,293 6/1949 Markoe ..... D20/1

- D. 172,980 9/1954 Obodzinski ..... D20/7
- D. 186,466 10/1959 Bolen, Jr. et al. .... D20/7
- D. 244,716 6/1977 Weitzman ..... D20/7
- D. 246,634 12/1977 Levitt ..... D20/7 X
- 3,010,557 11/1961 Weitzman ..... D20/7 X

Primary Examiner—Winifred E. Herrmann  
Attorney, Agent, or Firm—Kokjer, Kircher, Bradley, Wharton, Bowman & Johnson

[57] CLAIM

The ornamental design for a dispenser for candy, nuts or the like, as shown and described.

DESCRIPTION

FIG. 1 is a front and left side perspective view of a dispenser for candy, nuts or the like showing my new design;

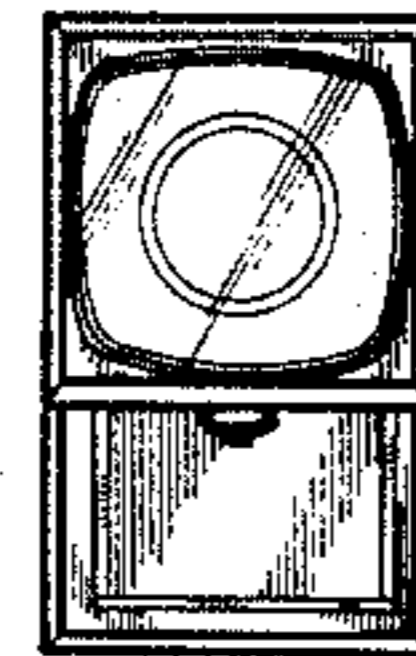
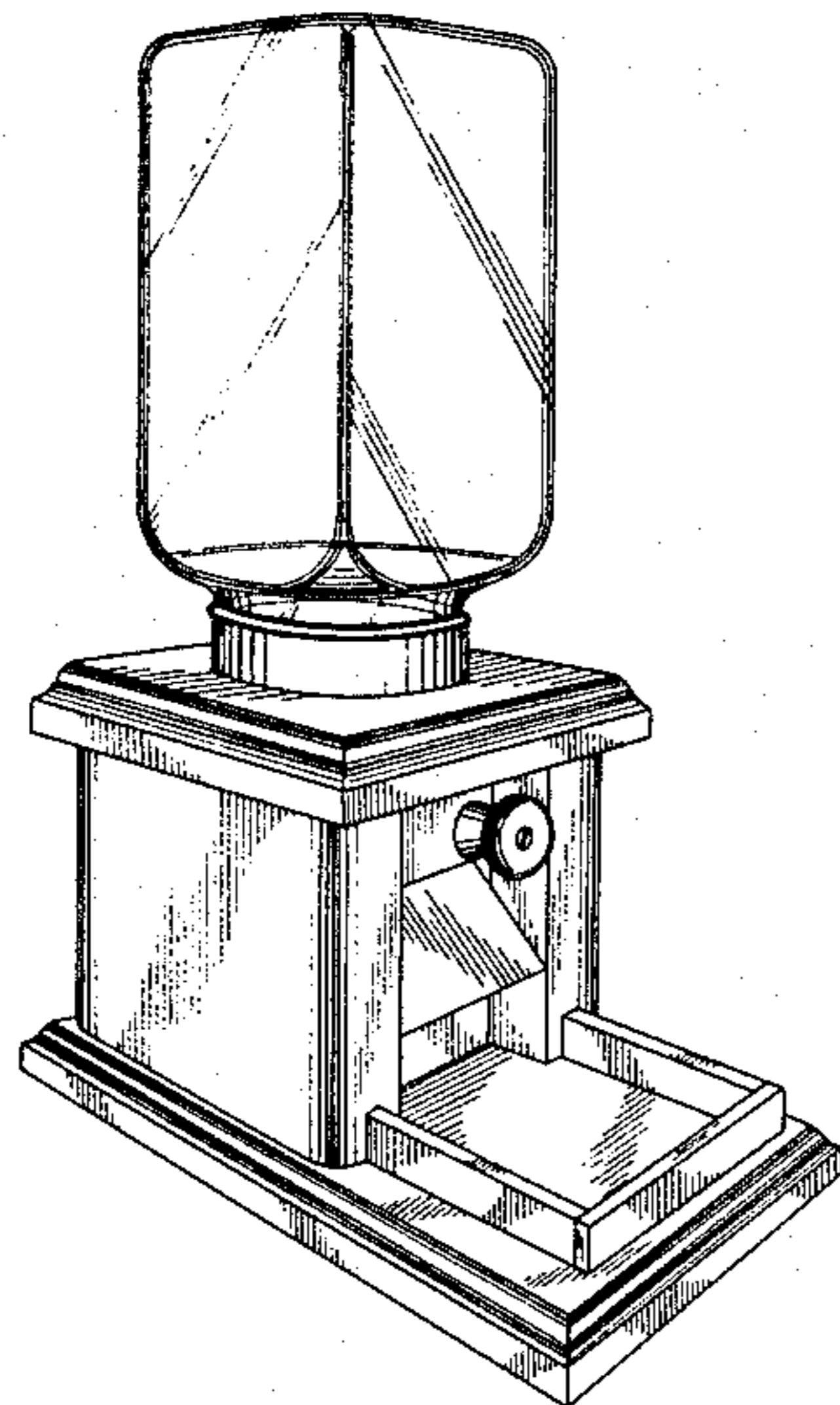
FIG. 2 is a top plan view thereof;

FIG. 3 is a rear elevational view thereof;

FIG. 4 is a front elevational view thereof; and

FIG. 5 is a right side elevational view thereof of the side opposite that shown in FIG. 1.

The bottom of the design is flat and ornamented.



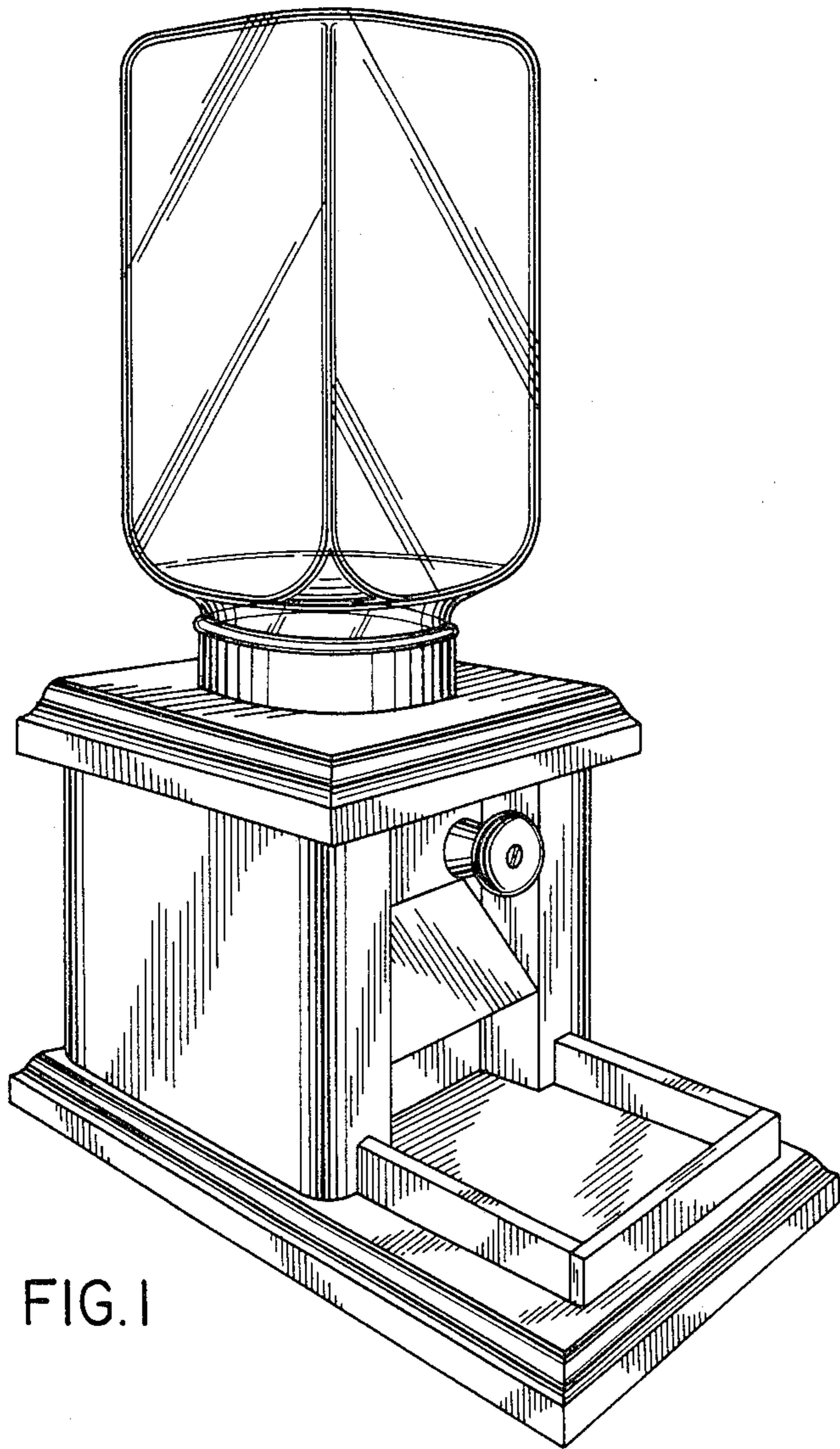


FIG. 1

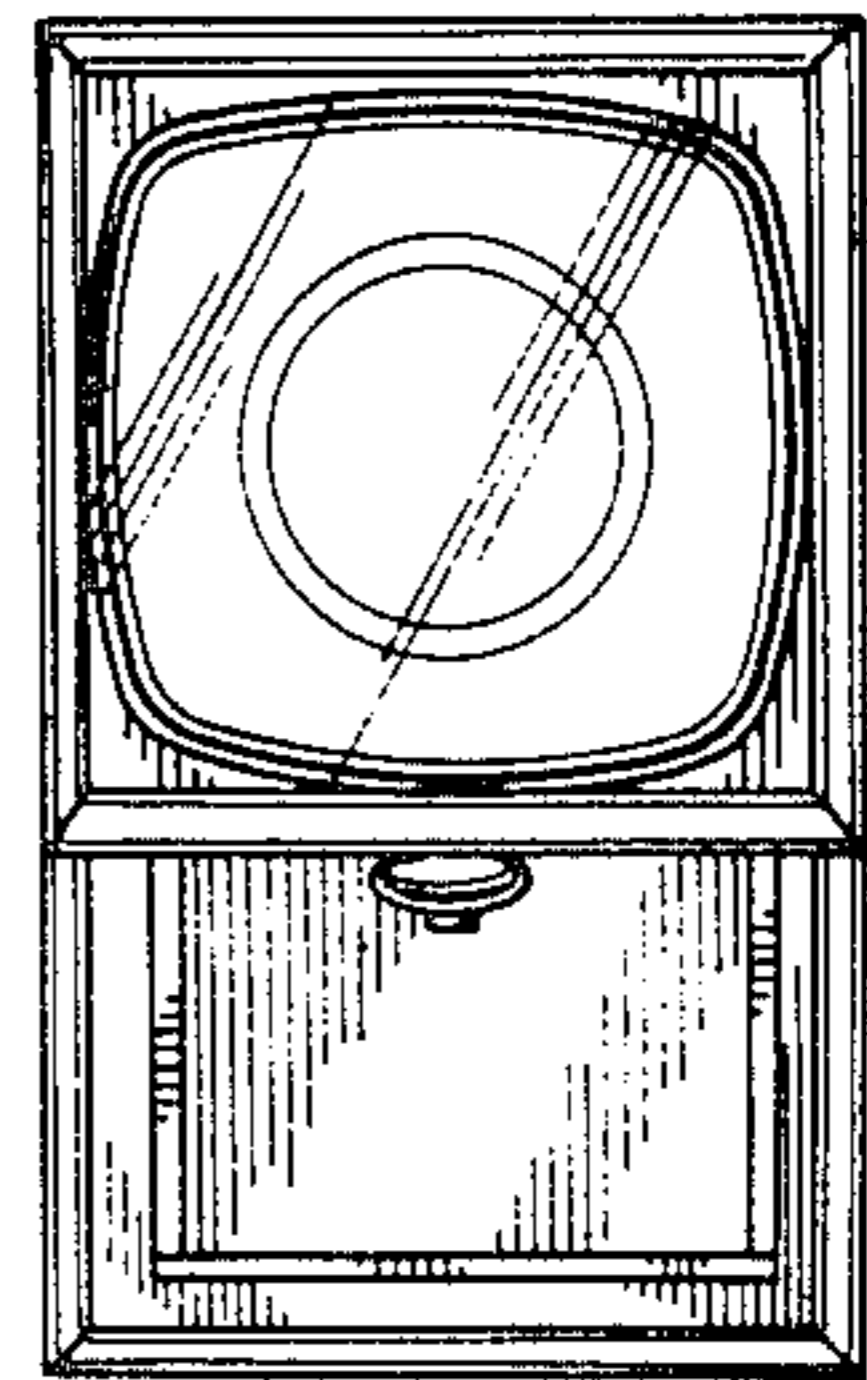


FIG. 2

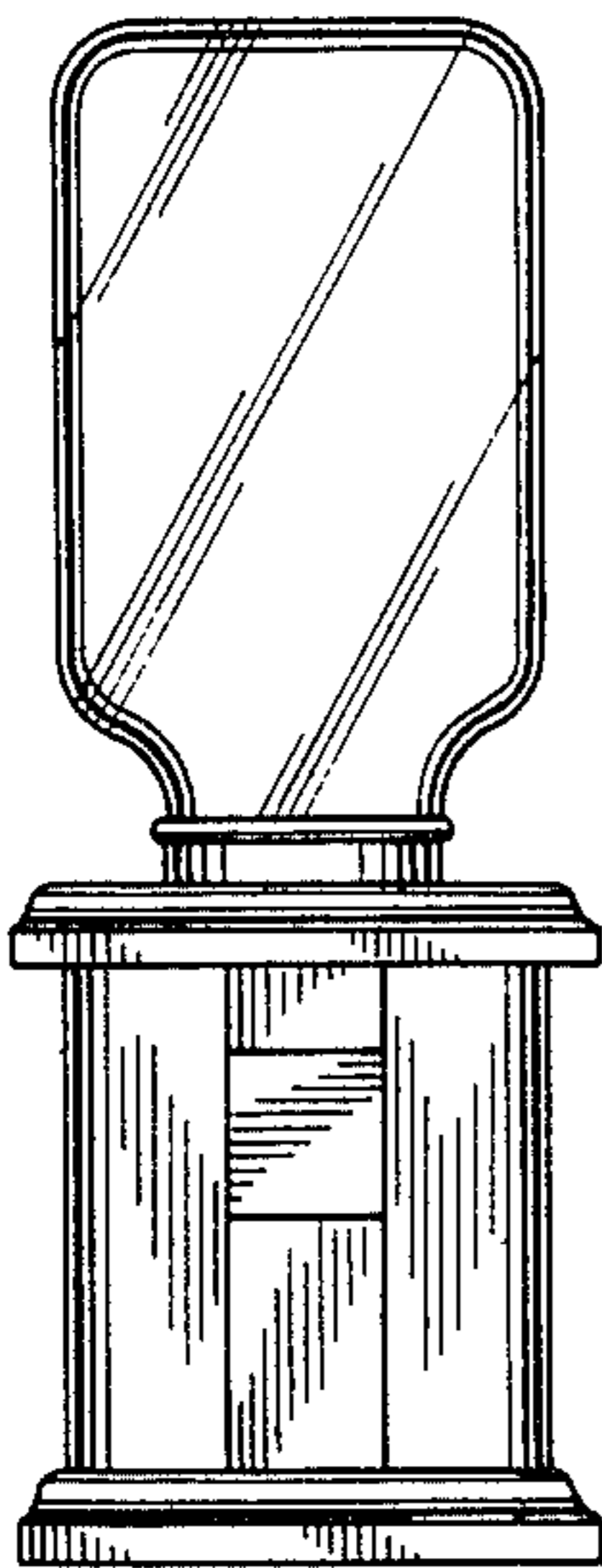


FIG. 3

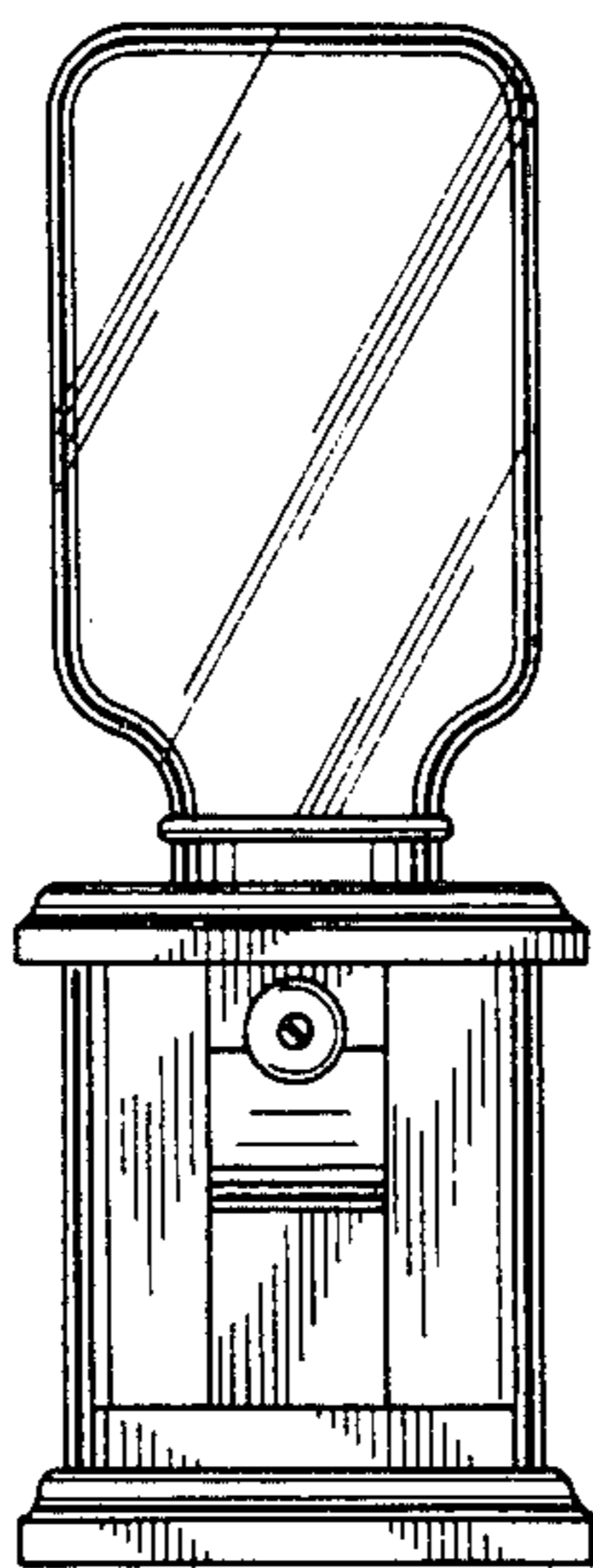


FIG. 4

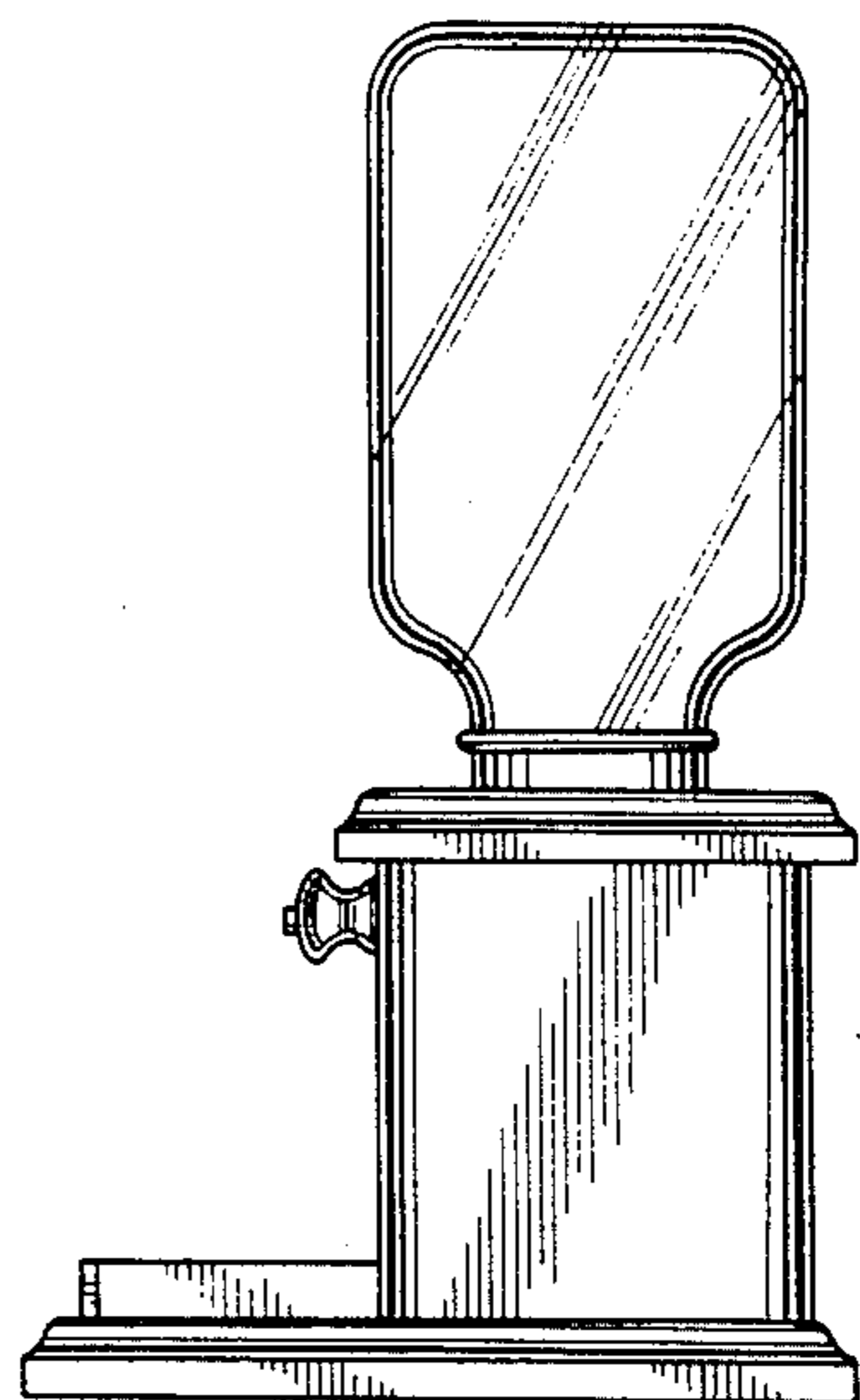


FIG. 5