

[54] **FOOD STORAGE DISH**

[75] **Inventor:** Donald J. Staufenberg, Hudsonville, Mich.

[73] **Assignee:** Rubbermaid Incorporated, Wooster, Ohio

[\*\*] **Term:** 14 Years

[21] **Appl. No.:** 350,306

[22] **Filed:** Feb. 19, 1982

[52] **U.S. Cl.** ..... D7/76; D7/18;  
D7/21; D7/79

[58] **Field of Search** ..... D7/16, 17, 18, 82, 83,  
D7/76, 77, 3, 360, 354; D9/432

[56] **References Cited**

**U.S. PATENT DOCUMENTS**

D. 233,121 10/1974 Daenen ..... D7/76  
D. 241,703 10/1976 Ashton ..... D7/18 X

**OTHER PUBLICATIONS**

Corning Housewares Catalog-p. 7; Date: Second Half 1981 top right Covered Handled "Basic" Casserole, about 2 qt. size, Wildflower Decoration.  
Vitri Max Richter KG Catalog for 1979-1980, back

page, top panel, "Vitri Micro-Dur" Covered Square--Round Handled Micro Dish at right.

*HFD-Retailing Home Furnishings*, Dec. 25, 1978, p. 26, bottom panel, Republic Molding, Square Freezette Container shown.

Lustro Ware Cat. #605, Line for 65, p. 10, top left panel, Cover for Frozen Food Container.

*Primary Examiner*—Winifred E. Herrmann  
*Attorney, Agent, or Firm*—Renner, Kenner, Greive & Bobak

[57] **CLAIM**

The ornamental design for a food storage dish, as shown.

**DESCRIPTION**

FIG. 1 is a top perspective view of a food storage dish showing my new design;

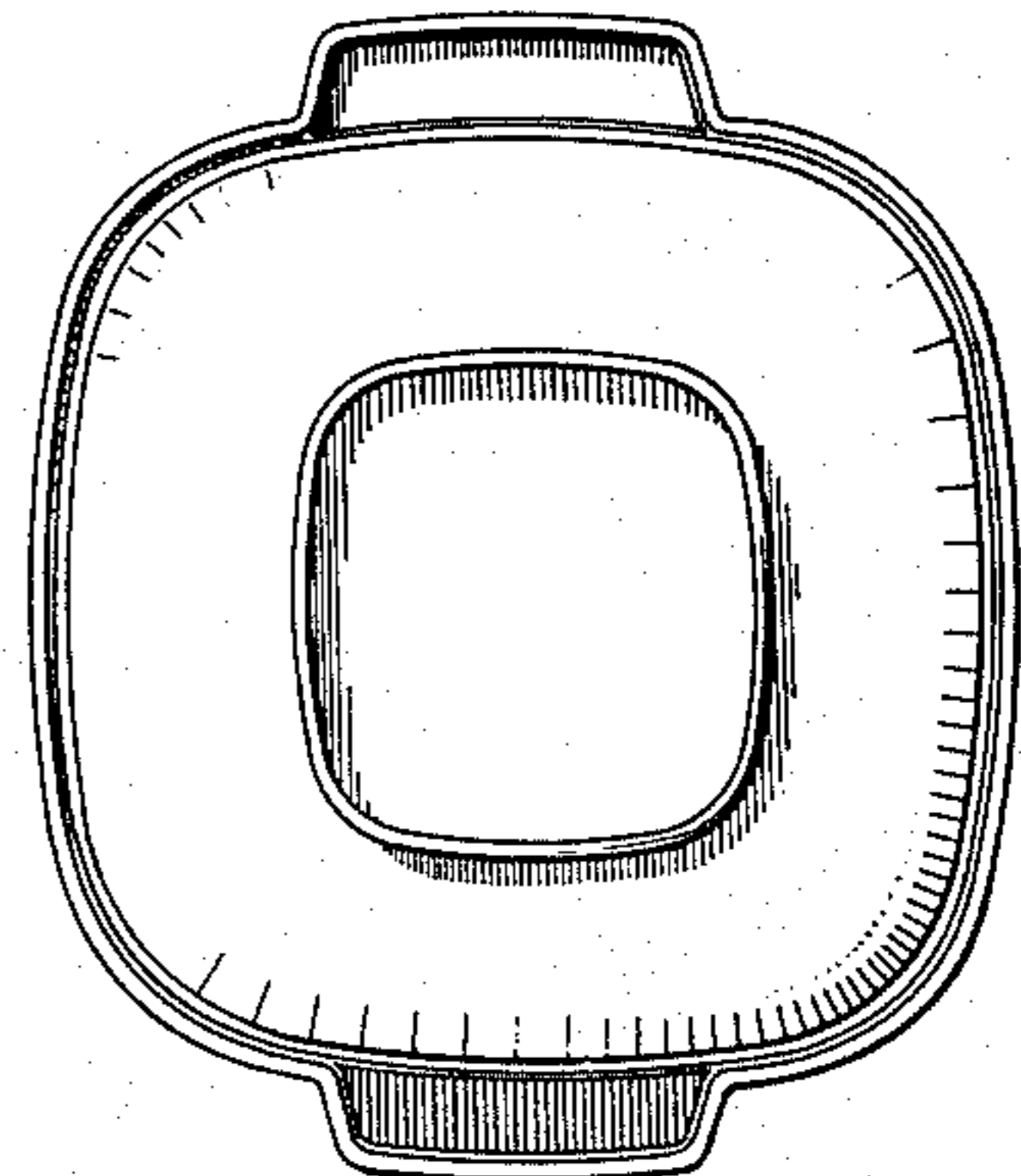
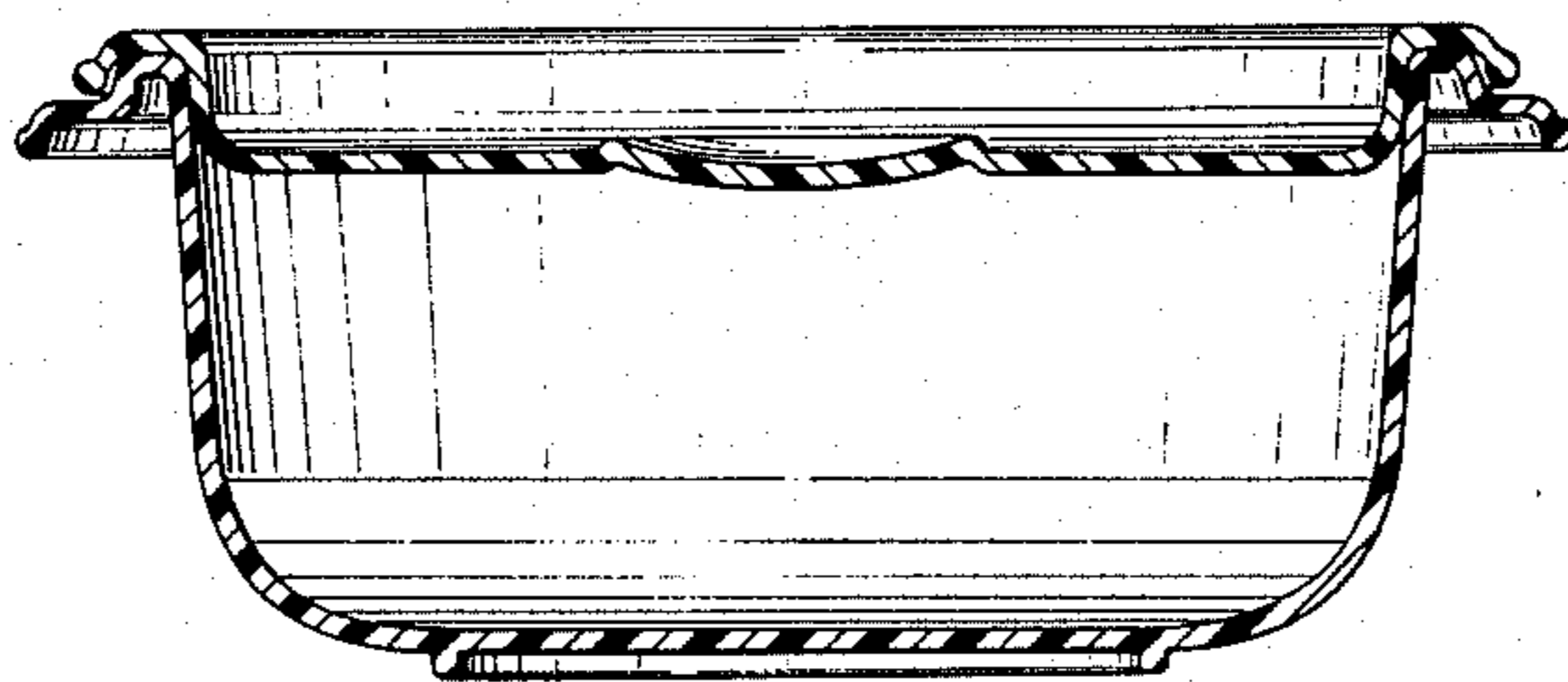
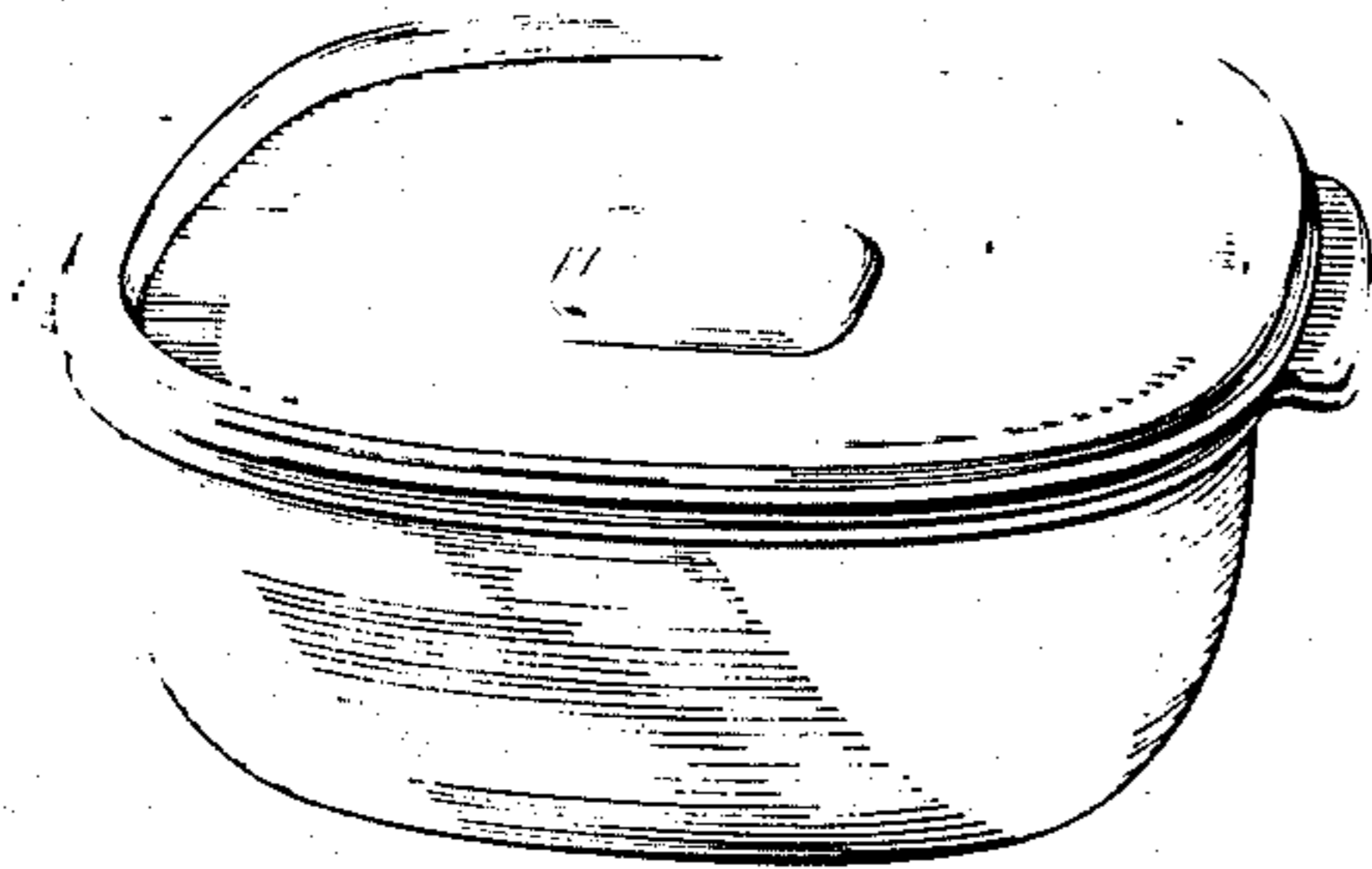
FIG. 2 is a cross-sectional view thereof taken on line 2--2 of FIG. 3;

FIG. 3 is a top plan view on a reduced scale;

FIG. 4 is an exploded top perspective view thereof;

FIG. 5 is a side elevational view thereof;

FIG. 6 is a bottom plan view thereof.



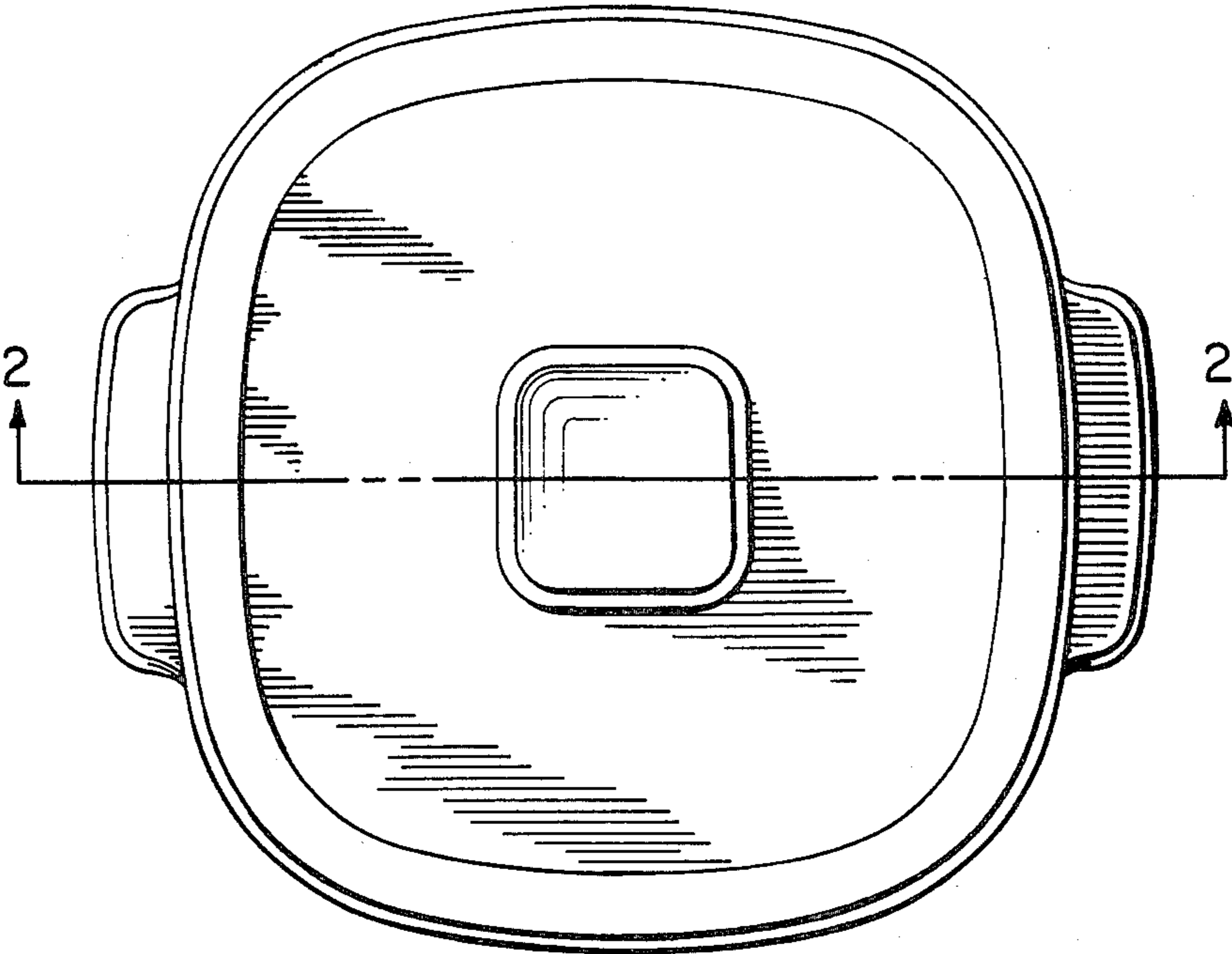


FIG. 3

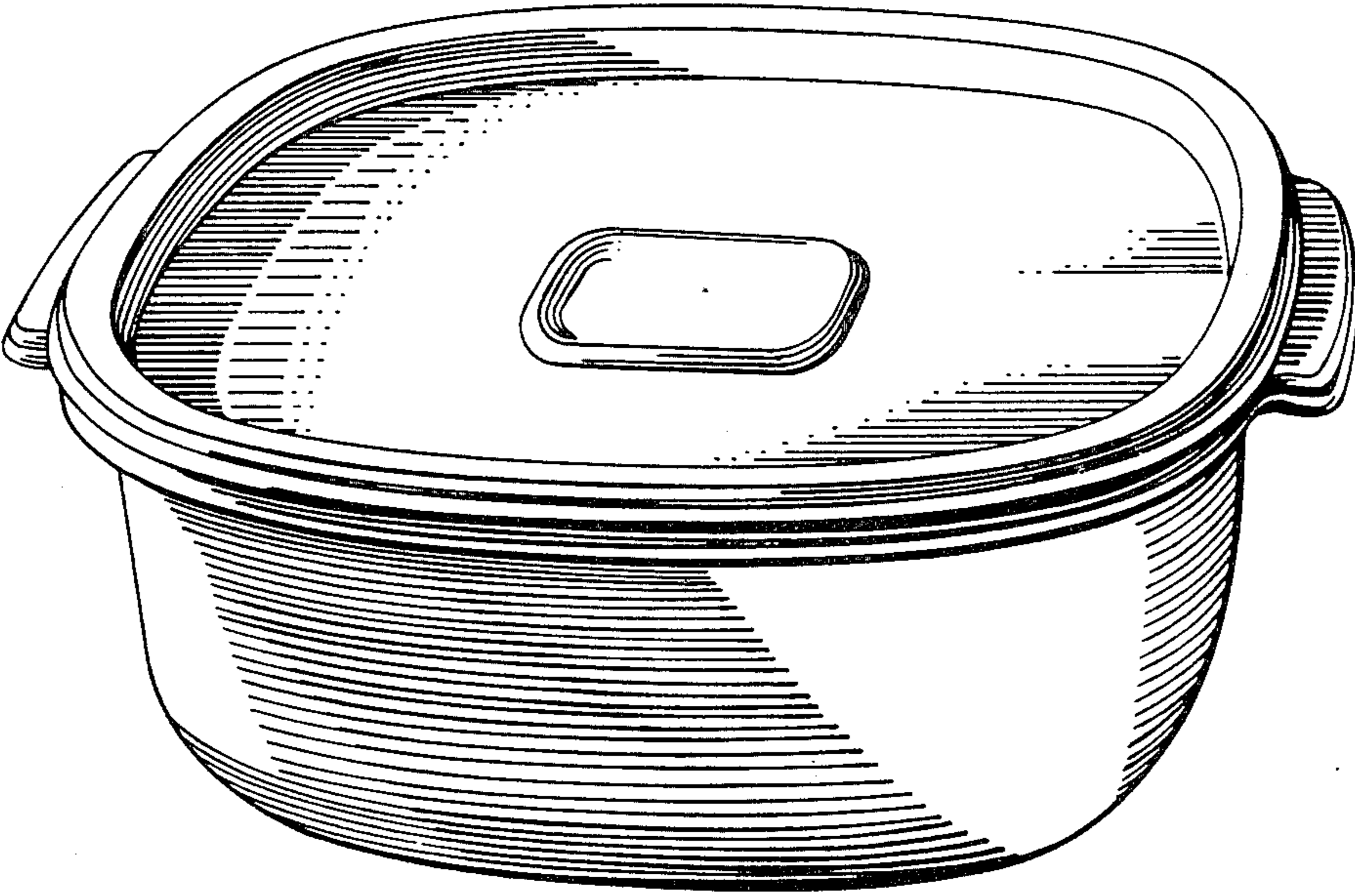


FIG. 1

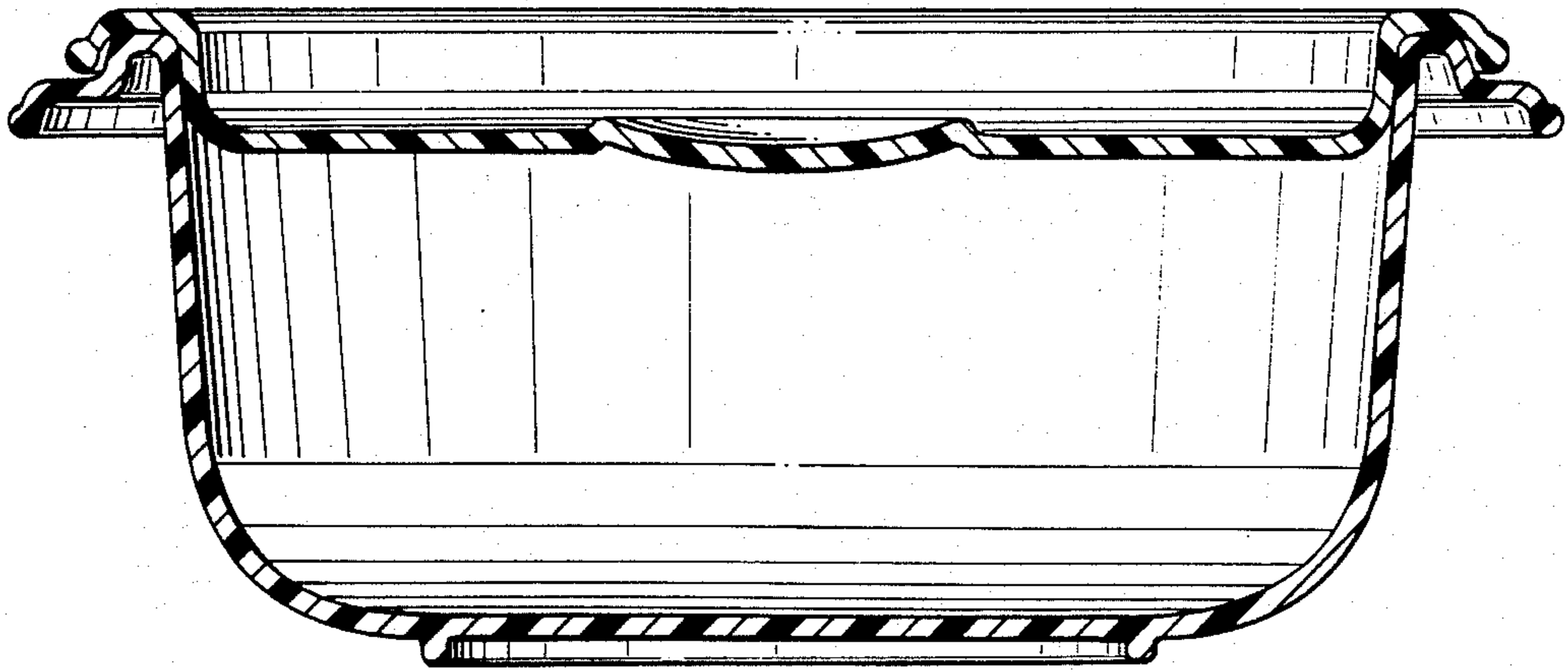


FIG. 2

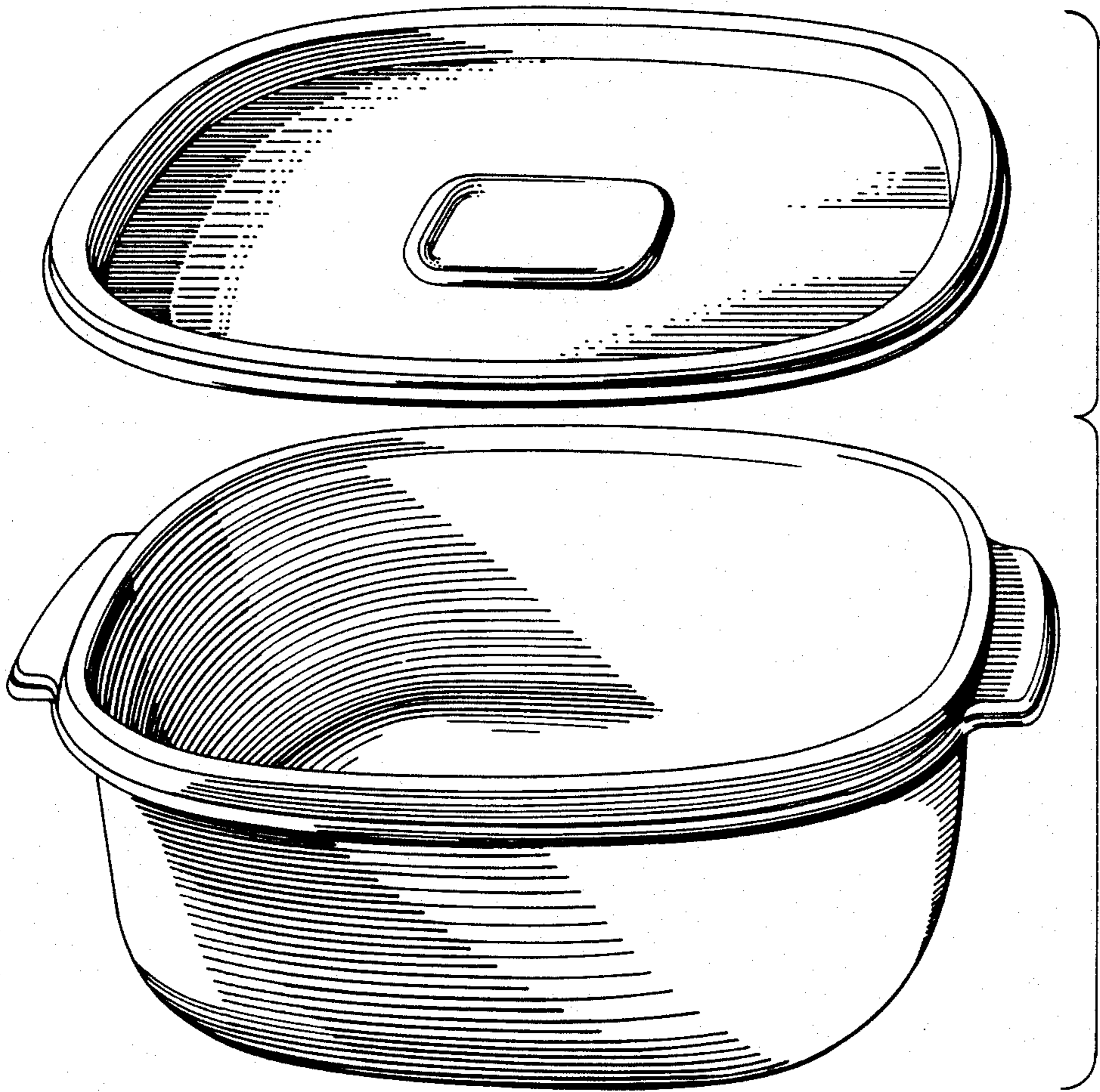


FIG. 4

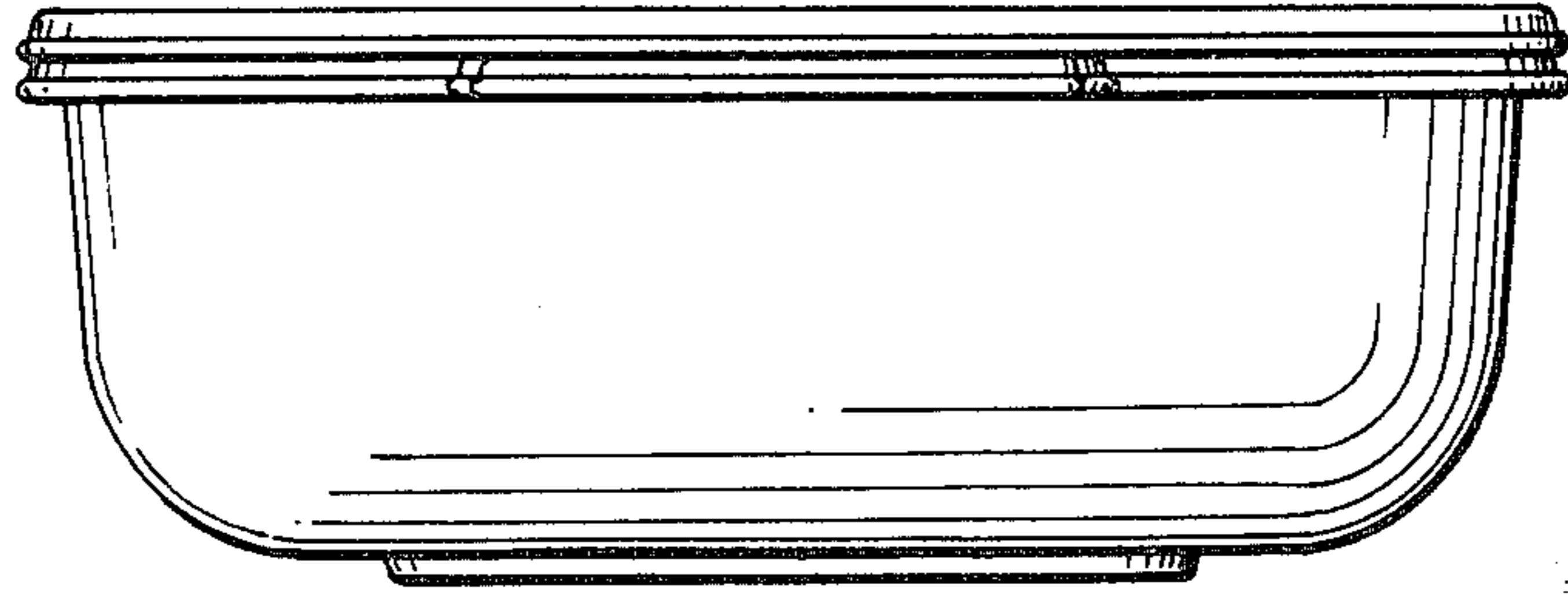


FIG. 5

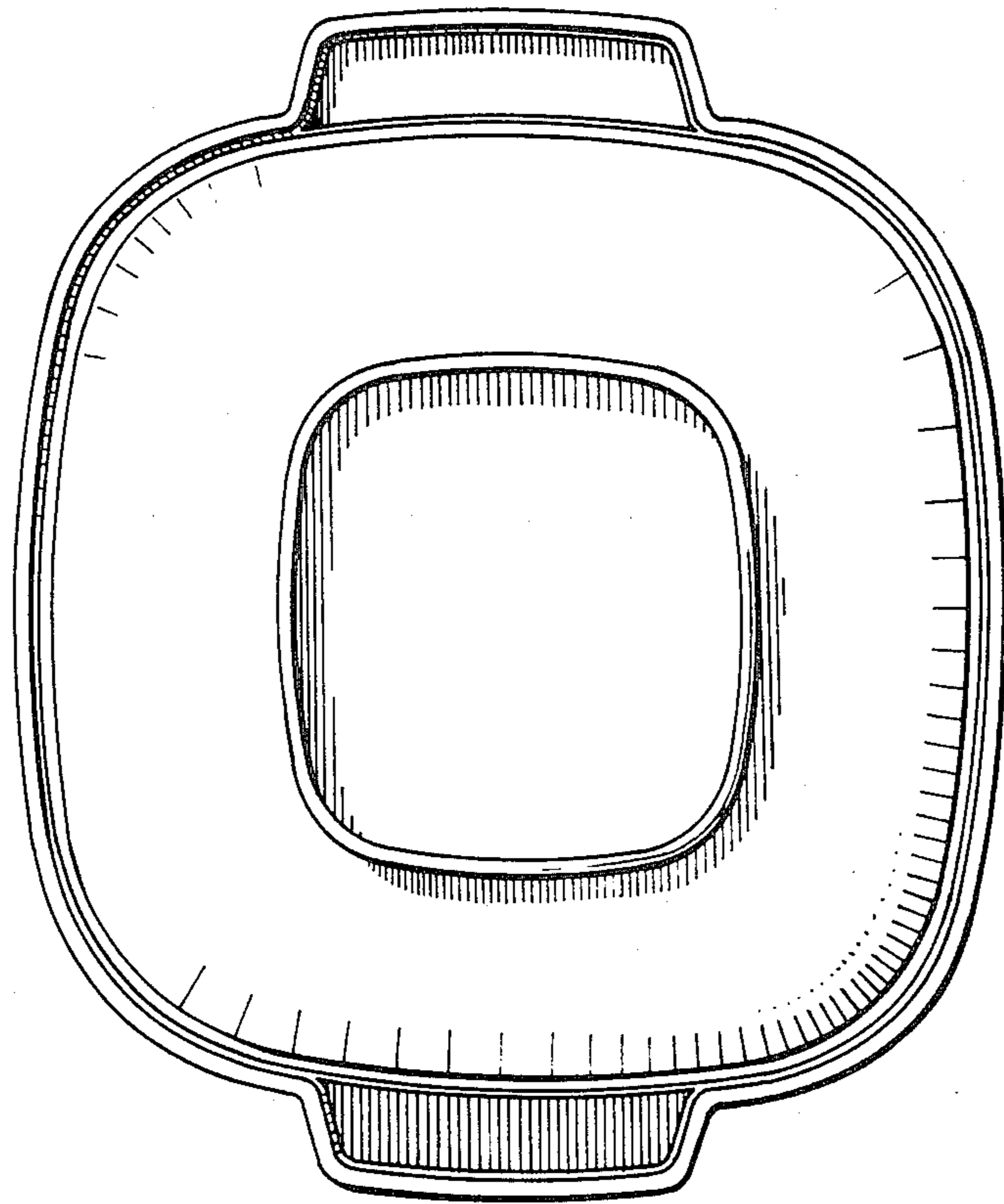


FIG. 6