

[54] **SUPPORT BRACKET FOR A GOLF BUGGY SEAT**

[76] **Inventor: Douglas Murray, 36 Tennyson Rd., Mortlake, New South Wales, Australia**

[**] **Term: 14 Years**

[21] **Appl. No.: 372,391**

[22] **Filed: Apr. 27, 1982**

[30] **Foreign Application Priority Data**

Nov. 19, 1981 [AU] Australia 85807
[52] **U.S. Cl. D6/500**
[58] **Field of Search D6/191; D12/16**

[56] **References Cited**

U.S. PATENT DOCUMENTS

D. 205,398 8/1966 Doman et al. D12/16
D. 219,326 11/1970 Persons D6/191
D. 241,492 9/1976 Schwalbe D6/191
3,777,836 12/1973 Riza D12/16 X

Primary Examiner—Bruce W. Dunkins

[57] **CLAIM**

The ornamental design for a support bracket for a golf buggy seat, as shown.

DESCRIPTION

FIG. 1 is a perspective view of a support bracket for a golf buggy seat showing my new design.

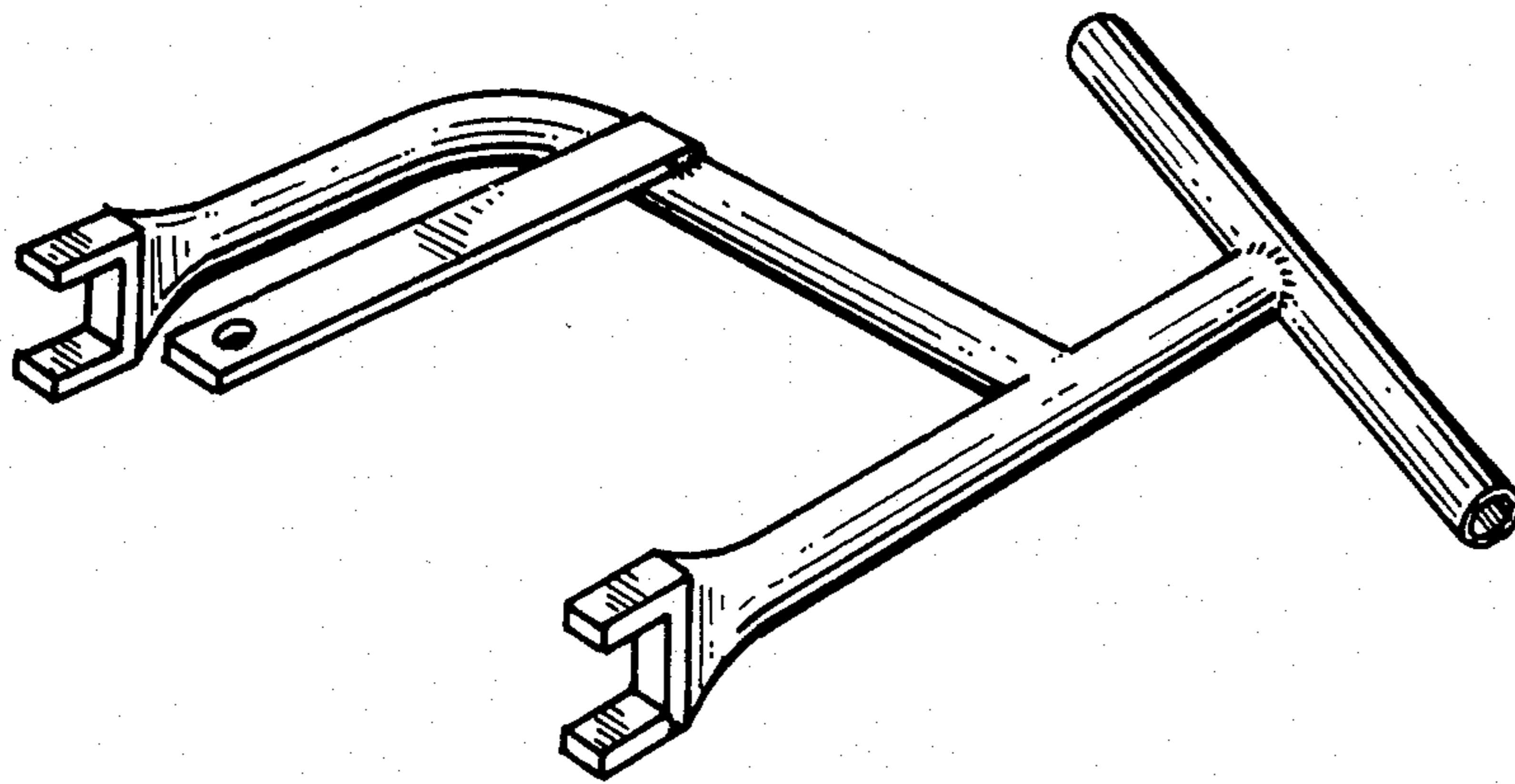
FIG. 2 is a plan view.

FIG. 3 is a front elevation.

FIG. 4 is a rear elevation.

FIG. 5 is a side elevation viewed in the direction of Arrow A.

FIG. 6 is a side elevation viewed in the direction of Arrow B.



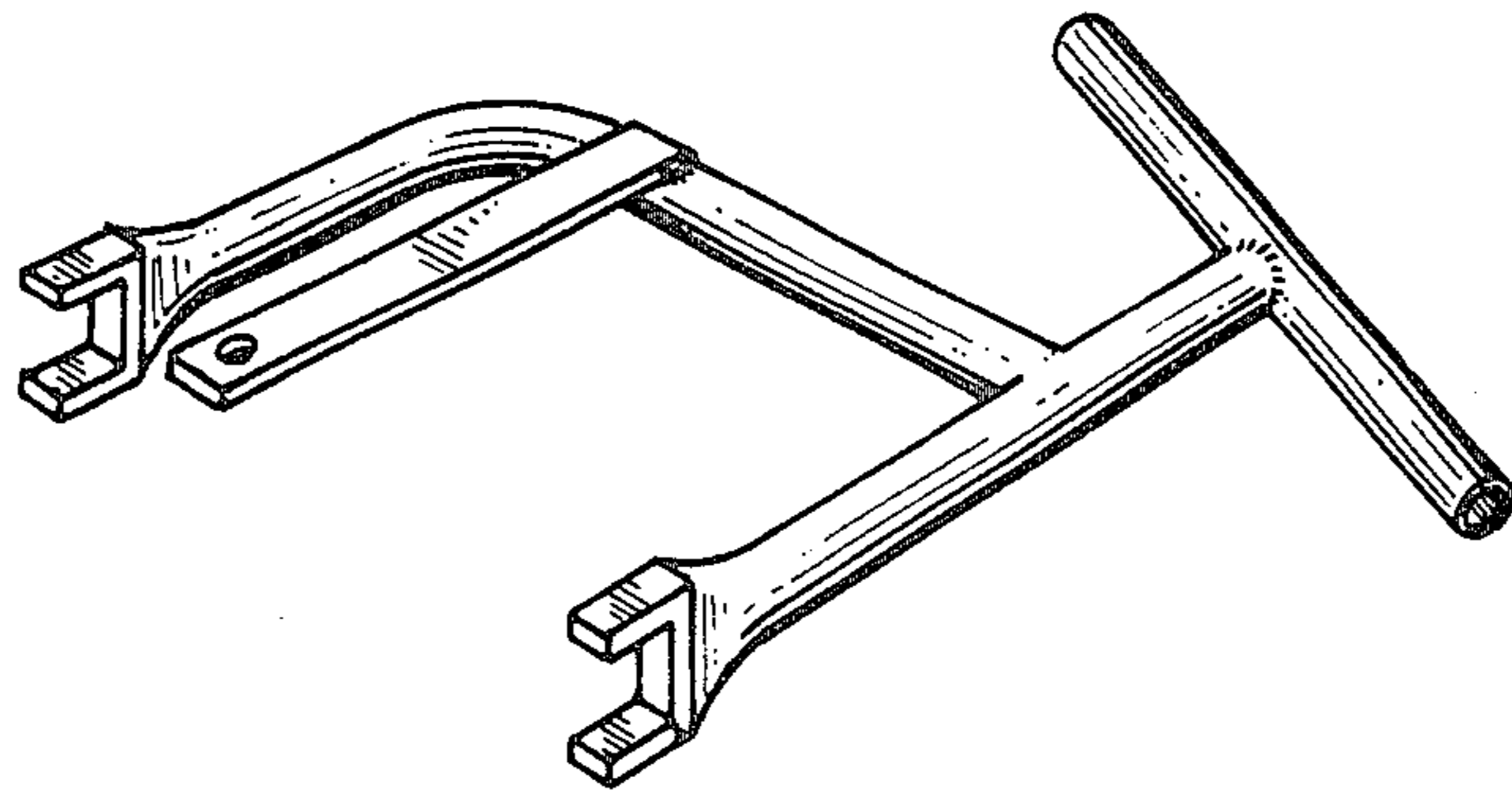


Fig. 1

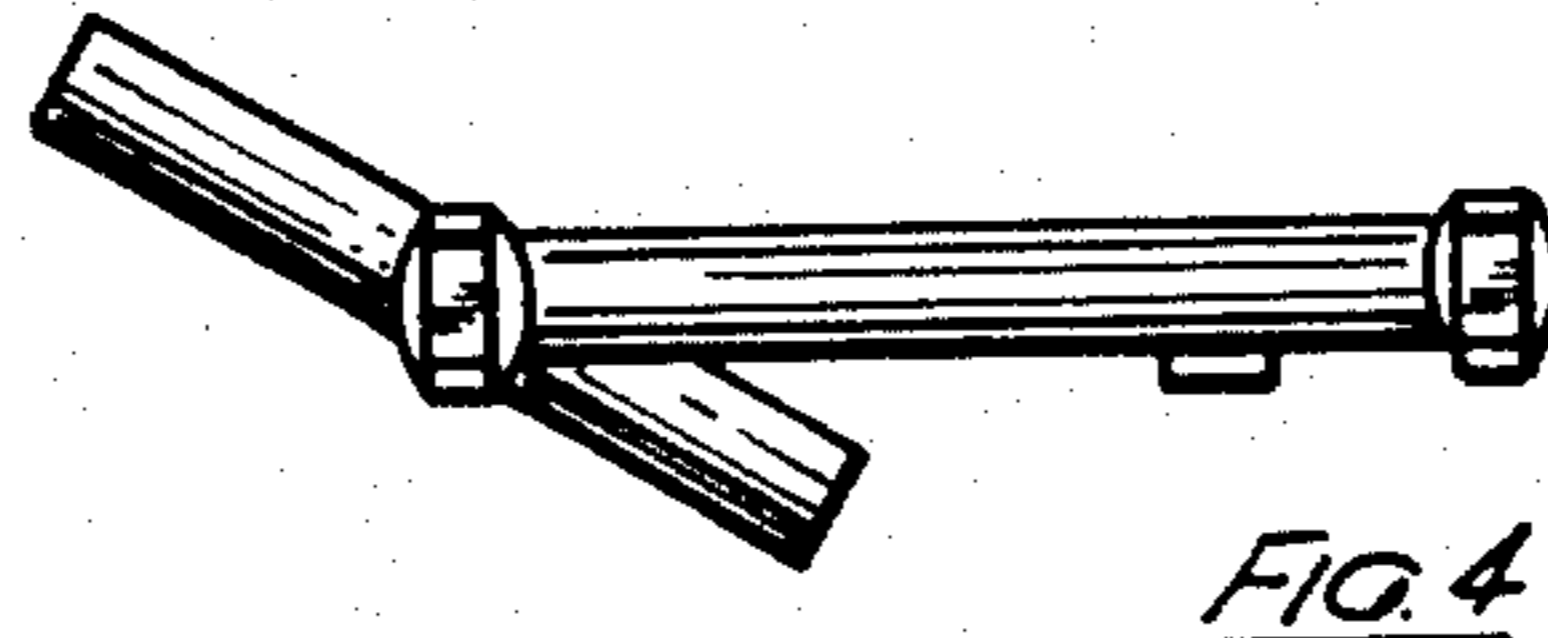


FIG. 4

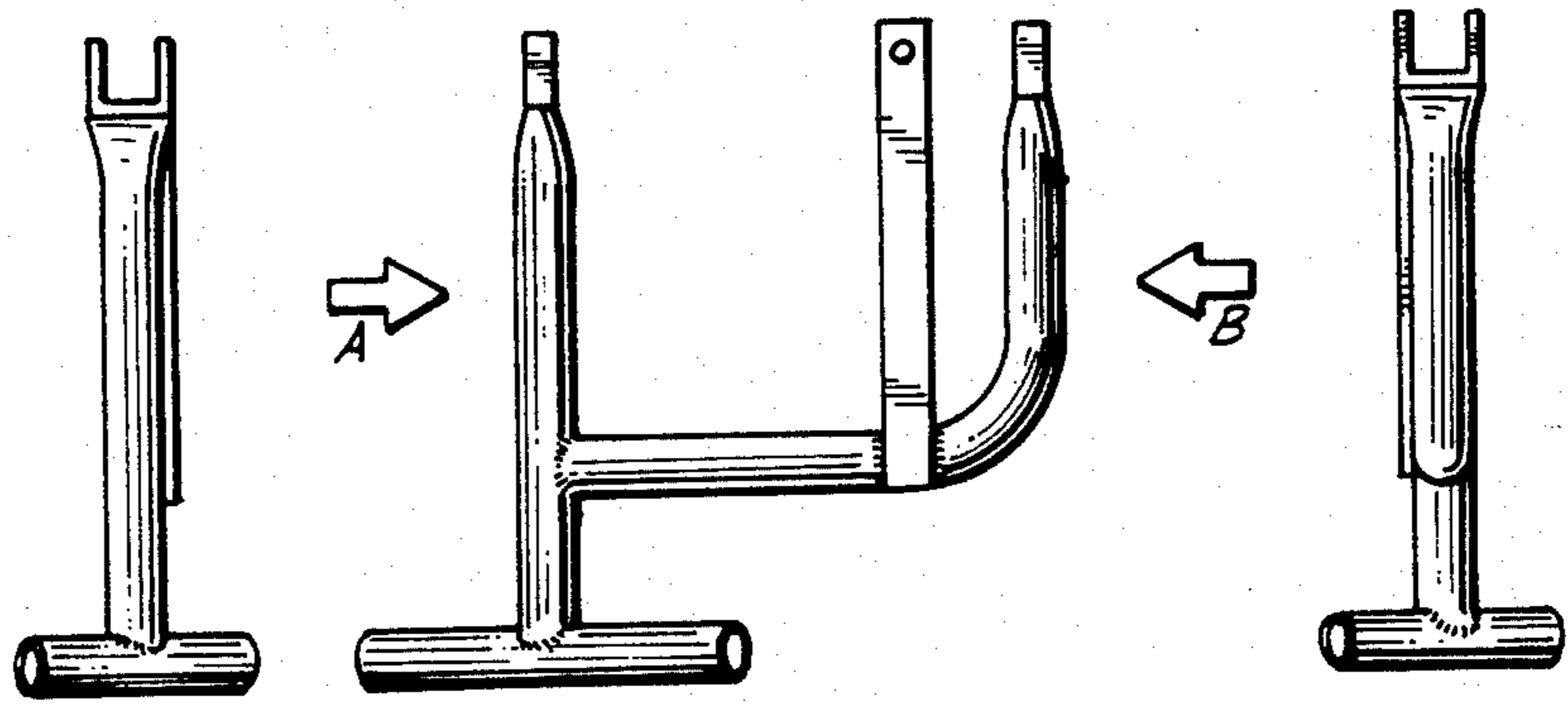


FIG. 5

FIG. 2

FIG. 6



FIG. 3