

[54] MAIL EXTRACTING AND SORTING DESK

4,388,793 6/1983 Künne 53/381 R

[75] Inventors: Albert F. Stevens, Moorestown; Paul E. Haley, Hammonton, both of N.J.

[73] Assignee: Opex Corporation, Cherry Hill, N.J.

[**] Term: 14 Years

[21] Appl. No.: 312,949

[22] Filed: Oct. 20, 1981

[52] U.S. Cl. D6/422

[58] Field of Search D6/161, 162, 158, 159, D6/160, 166, 167, 168, 169, 175, 181, 186, 188, 157, 179; 312/194, 195, 196; 53/381 R, 386, 390

[56] References Cited

U.S. PATENT DOCUMENTS

D. 161,361	12/1950	Moore	D6/179
D. 239,227	3/1976	Vogt	D6/162
D. 269,487	6/1983	Maier	D6/162
1,427,957	9/1922	Hobart	312/194 X
3,770,334	11/1973	Weber	312/196 X
3,979,884	9/1976	Russell	53/381 R
4,376,363	3/1983	Russell	53/381 R X

OTHER PUBLICATIONS

Interiors Dec. 1972, p. 22; Desk of One Piece of Polyurethane by Ernest Igi; bottom left of page.

Interiors Jul. 1976, p. 27; Desk on page.

Primary Examiner—Carmen H. Vales

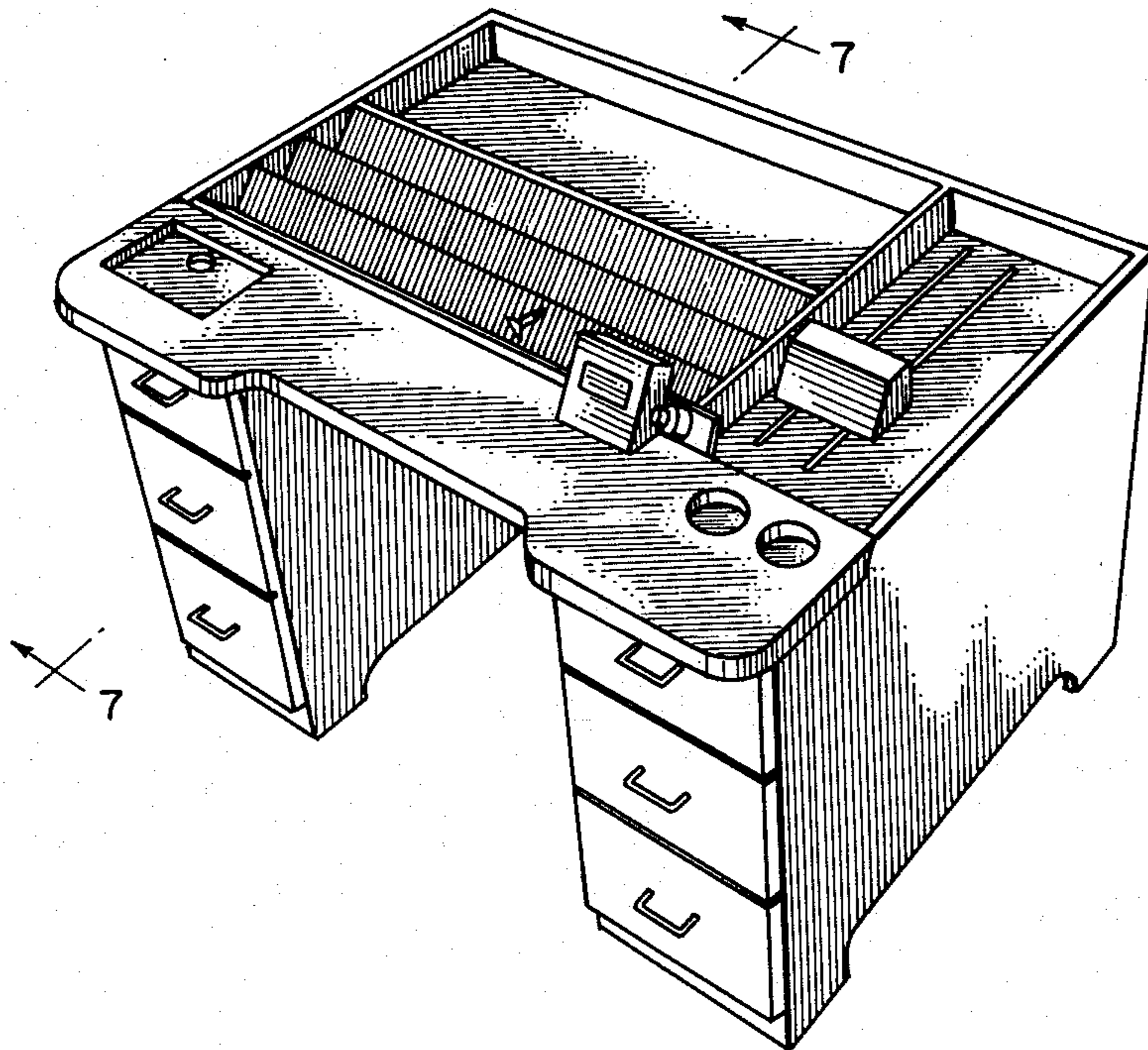
Attorney, Agent, or Firm—Weiser & Stapler

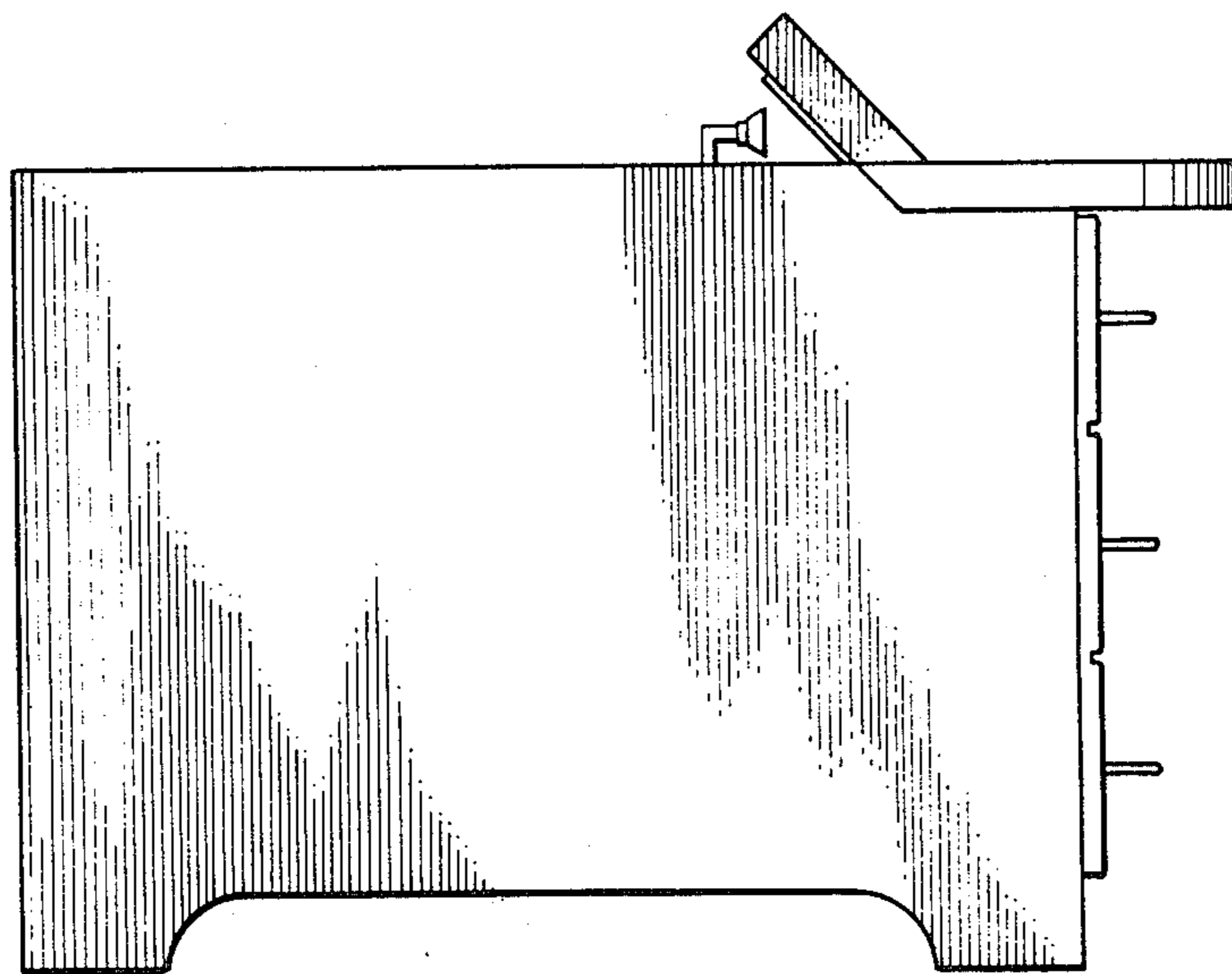
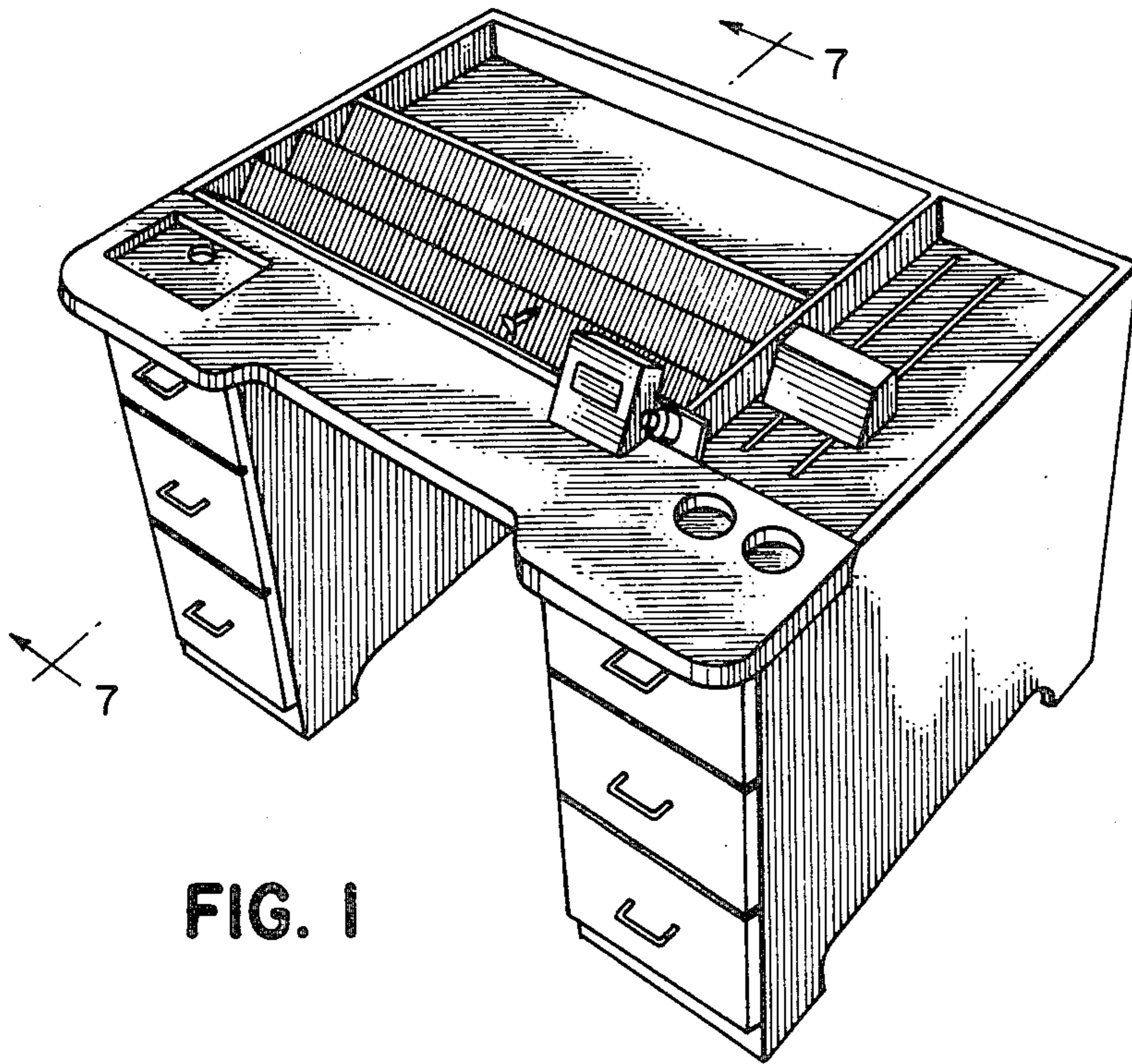
[57] CLAIM

The ornamental design for a mail extracting and sorting desk, as shown and described.

DESCRIPTION

FIG. 1 is a perspective view of a mail extracting and sorting desk showing our new design; FIG. 2 is a left side elevational view thereof; FIG. 3 is a right side elevational view thereof; FIG. 4 is a rear elevational view thereof; FIG. 5 is a top plan view thereof; FIG. 6 is a front elevational view thereof; and FIG. 7 is a cross sectional view taken along line 7—7 of FIG. 1.





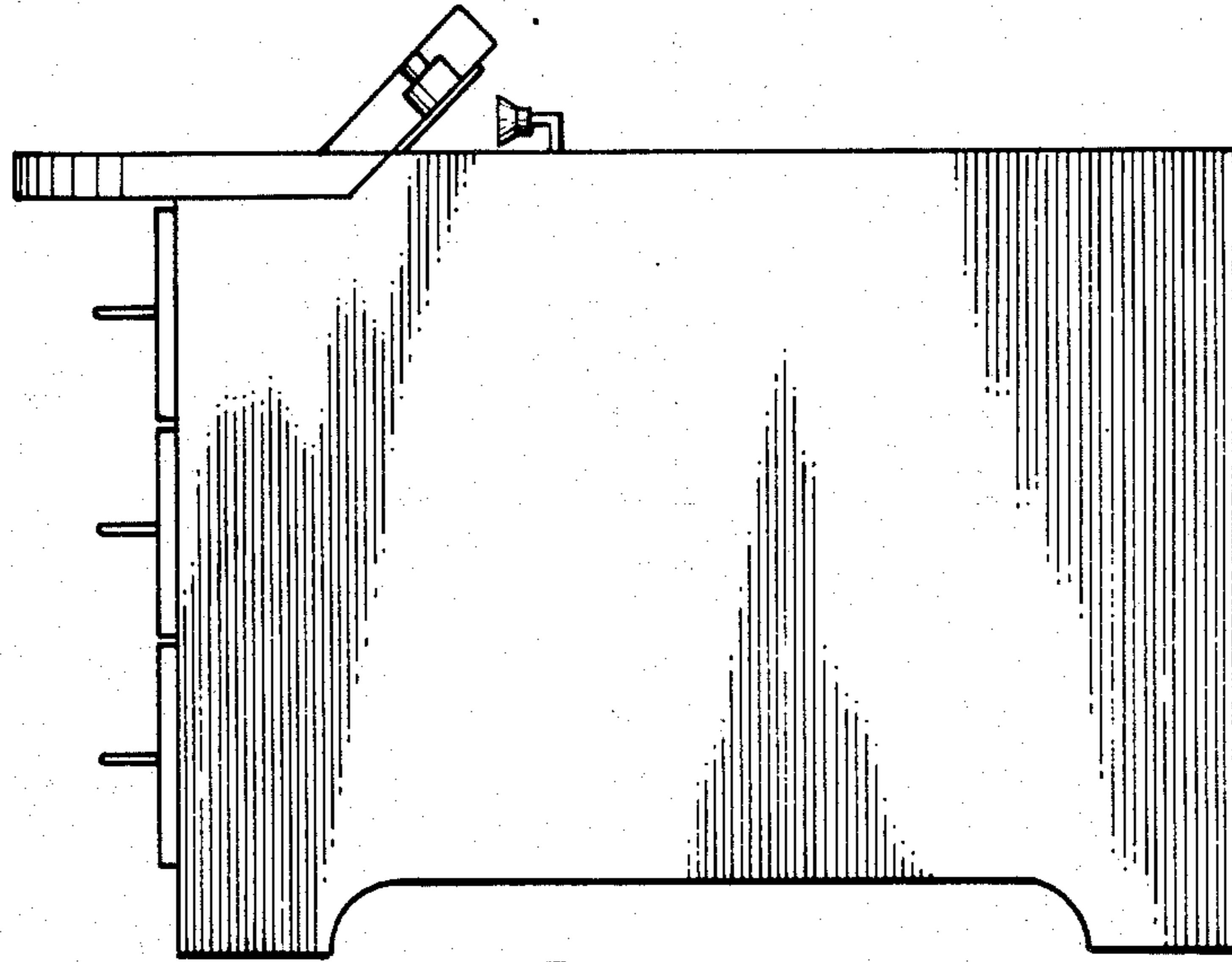


FIG. 3

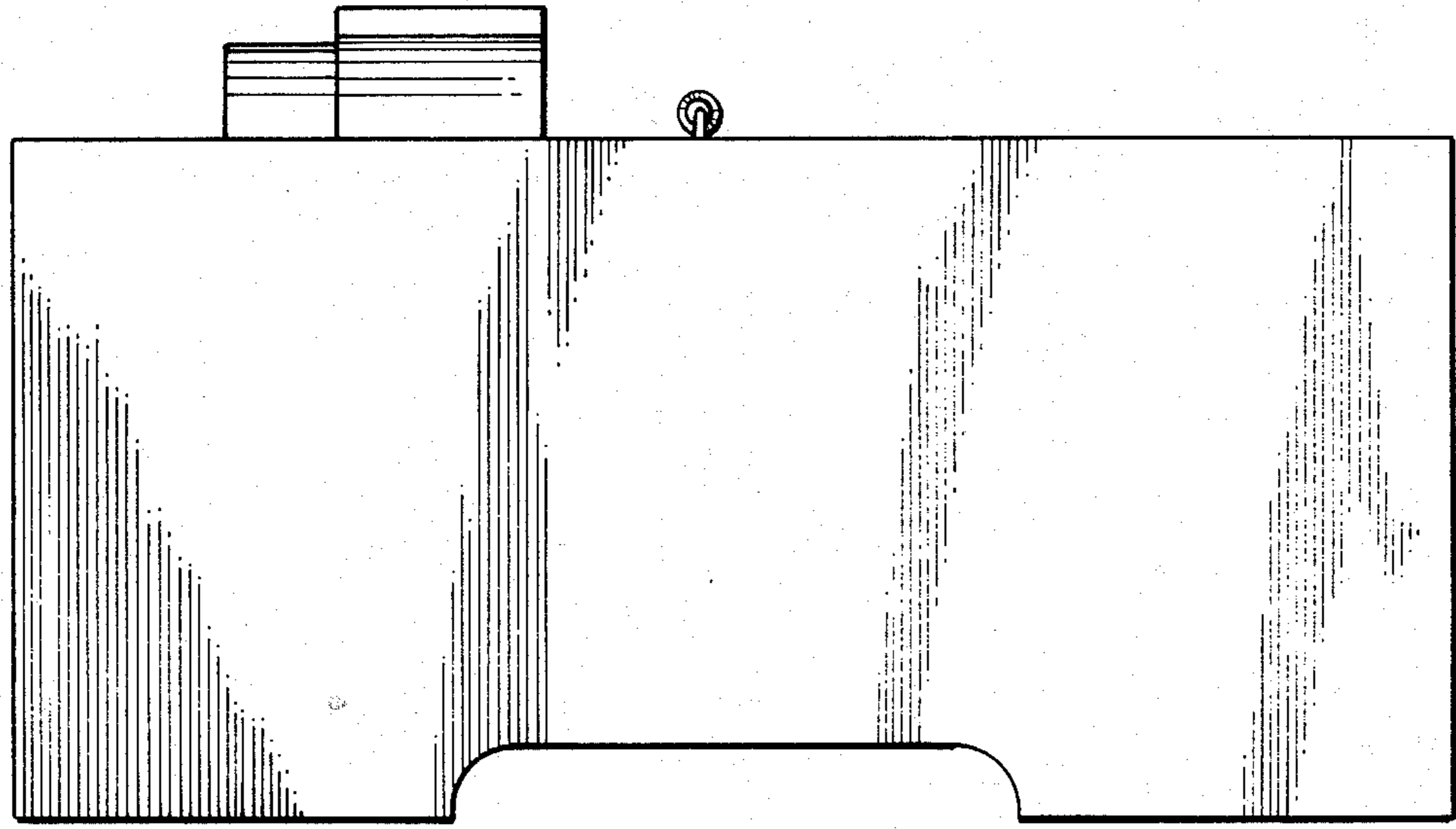


FIG. 4

FIG. 5

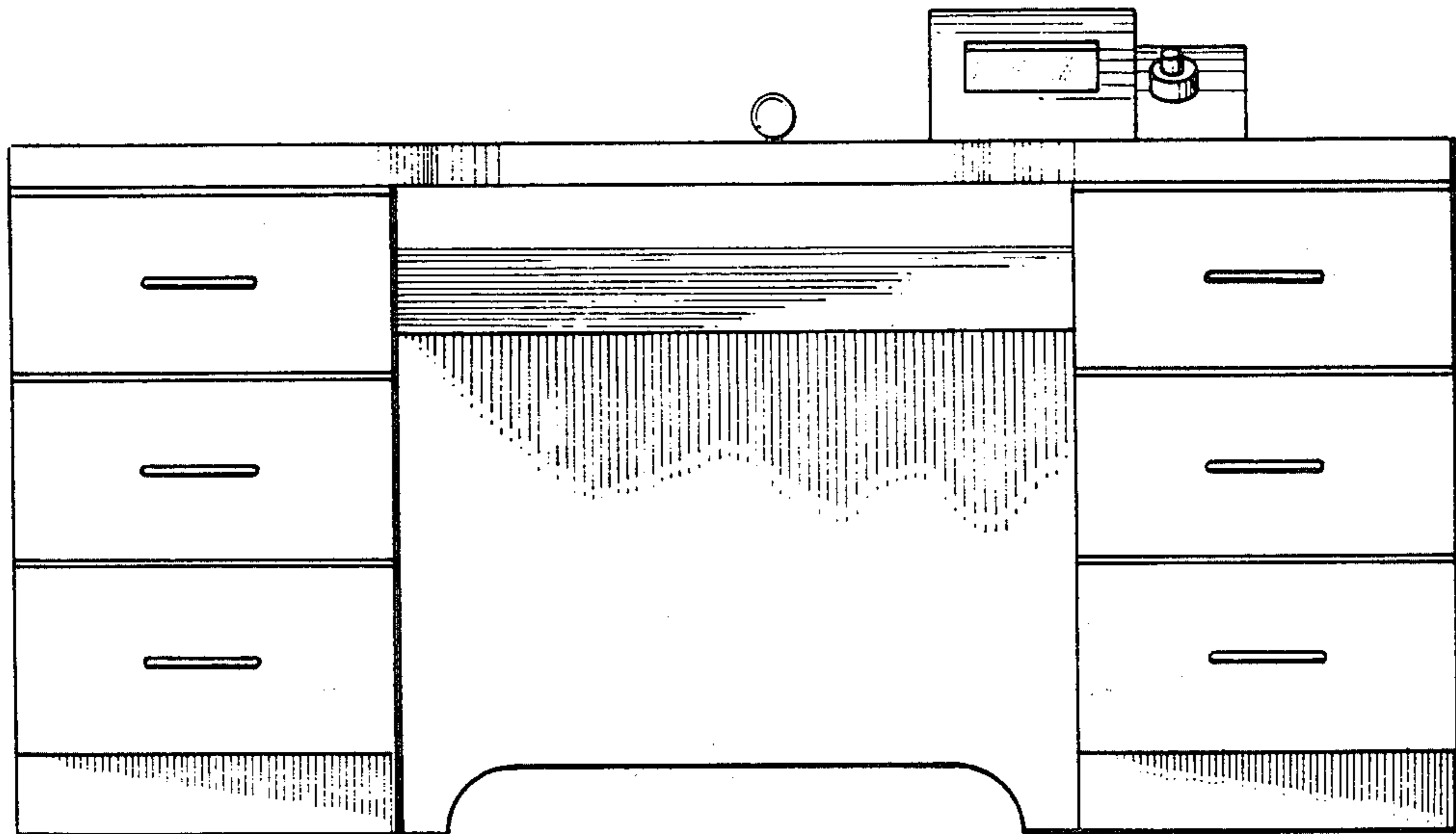
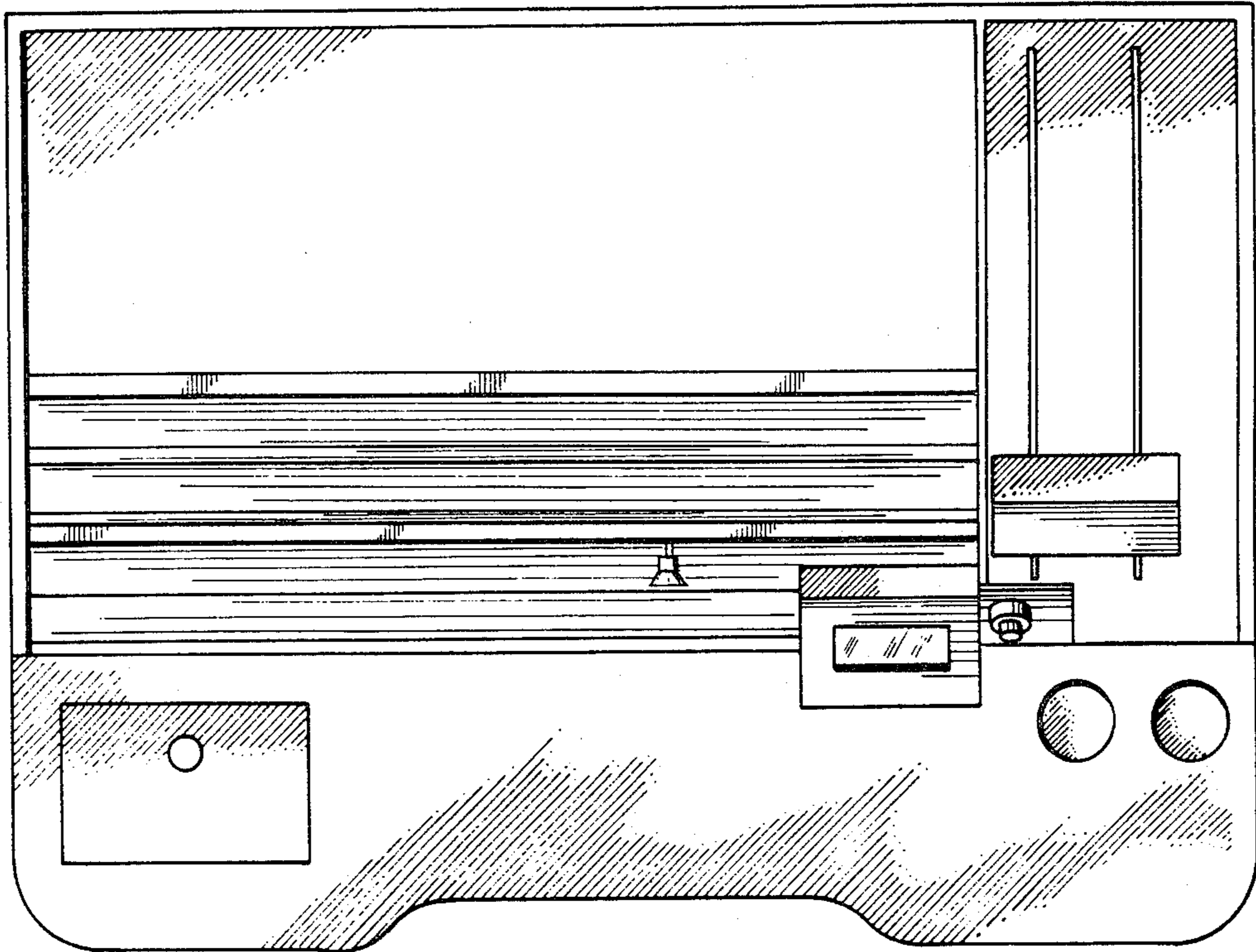


FIG. 6

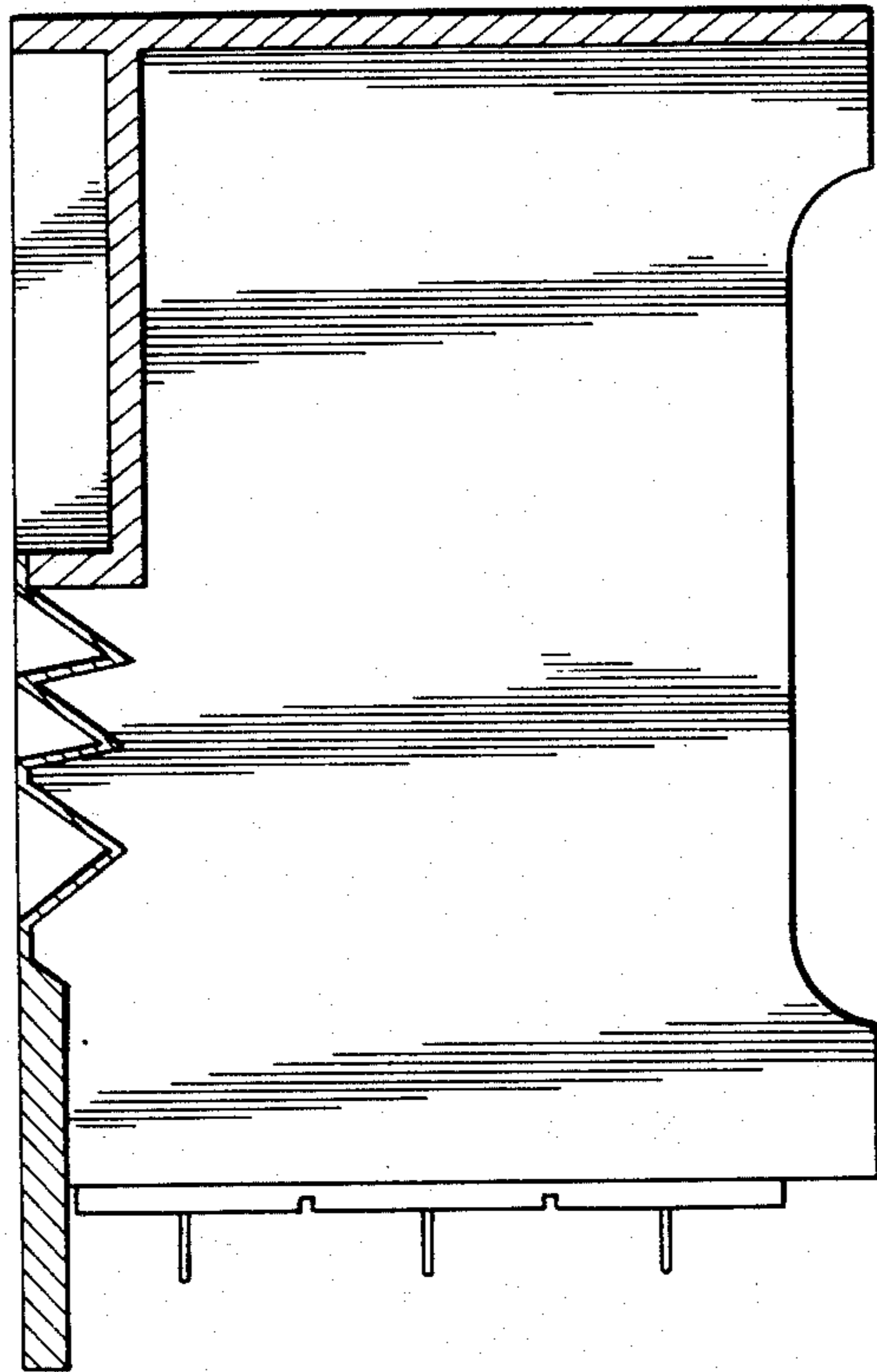


FIG. 7