

United States Patent [19]

Servadio

[11] Patent Number: **Des. 277,622**

[45] Date of Patent: **** Feb. 19, 1985**

[54] **BATHROOM TISSUE HOLDER**

[76] Inventor: **Robert Servadio**, 3721 Parkview Ave., Pittsburgh, Pa. 15213

[**] Term: **14 Years**

[21] Appl. No.: **477,919**

[22] Filed: **Mar. 23, 1983**

[52] U.S. Cl. **D6/520**

[58] Field of Search D6/86, 96-98, D6/114; D26/9; 211/13, 87, 16, 60 R, 105.1, 123; 242/55.2, 55.3, 55.42, 55.53, 55.54, 56 B, 56 R, 137-139; 206/389, 391, 394, 407, 409; 312/39, 40, 41

[56] **References Cited**

U.S. PATENT DOCUMENTS

D. 253,265 10/1979 Miller D6/97

D. 260,828 9/1981 Cordray et al. D6/97
D. 267,062 11/1982 Lentz D6/97
2,518,328 8/1950 Janonis D6/97
3,750,971 8/1973 Chevas 242/55.3

Primary Examiner—A. Hugo Word
Assistant Examiner—Suzanne N. Gitlin
Attorney, Agent, or Firm—William J. Ruano

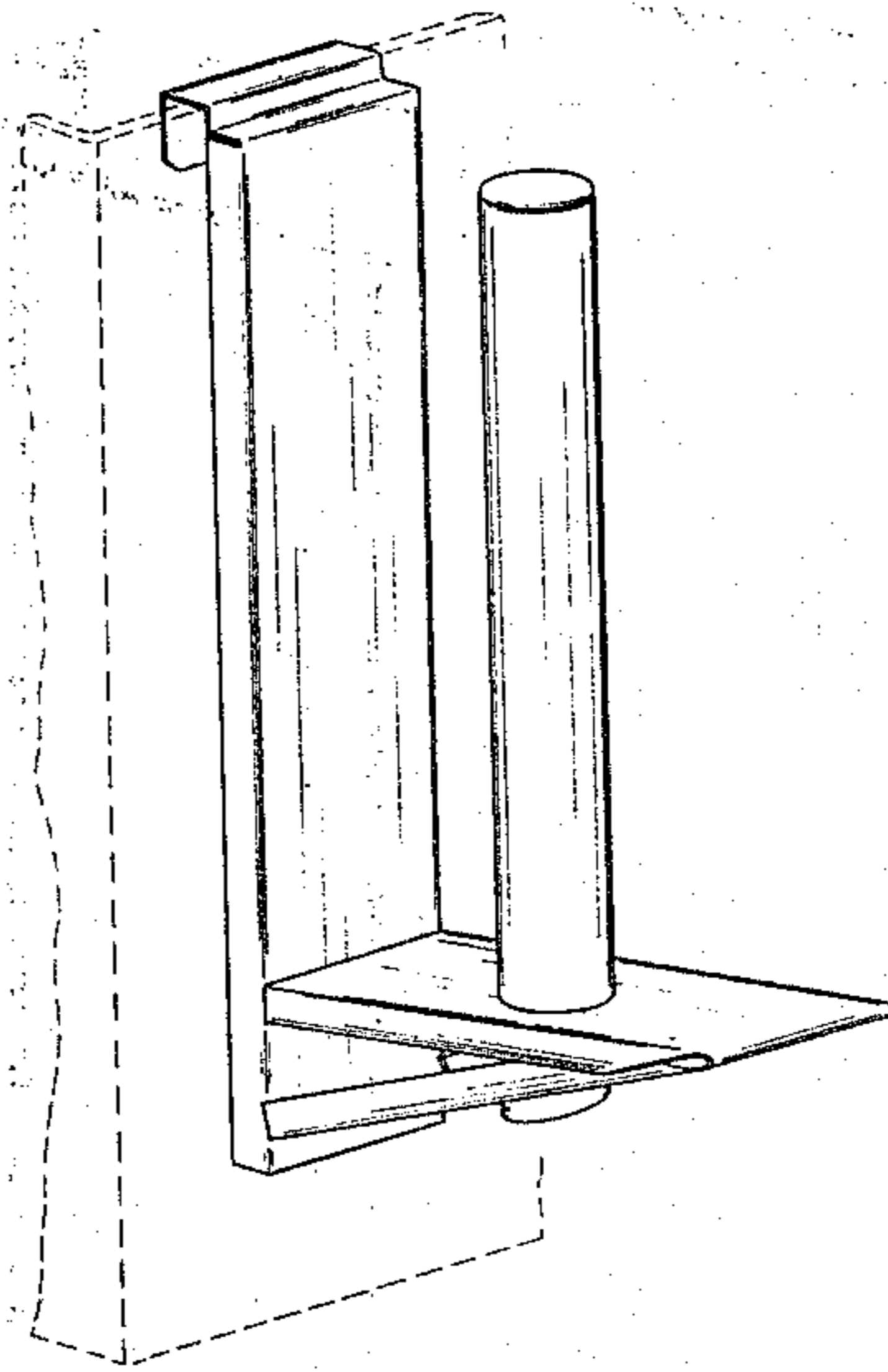
[57] **CLAIM**

The ornamental design for a bathroom tissue holder, as shown.

DESCRIPTION

FIG. 1 is a top and front perspective view of a bathroom tissue holder showing my new design, the dotted lines showing a water closet portion is for illustrative purposes only;

FIG. 2 is a rear and one side perspective view thereof; FIG. 3 is a bottom plan view thereof.



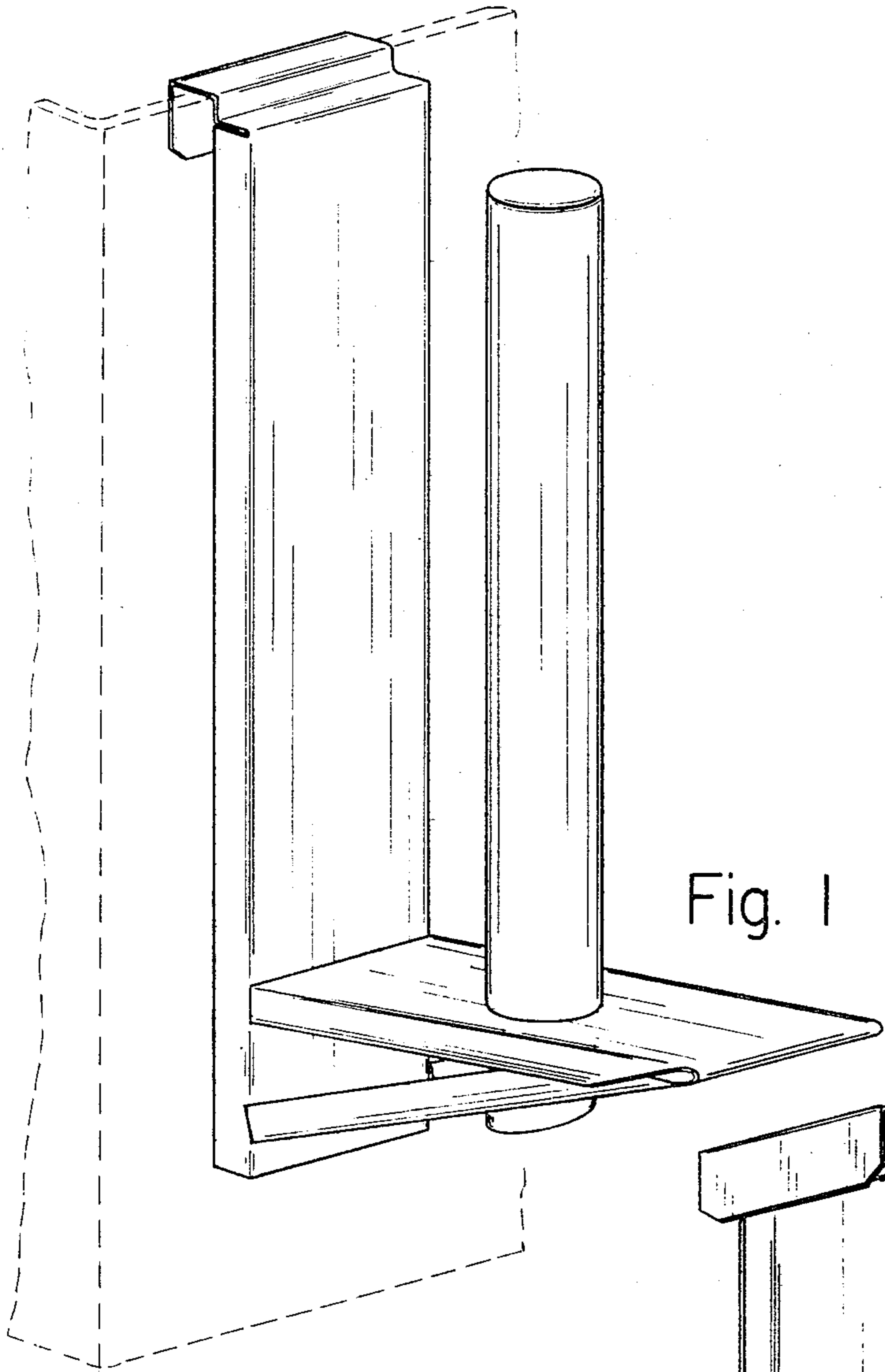


Fig. 1

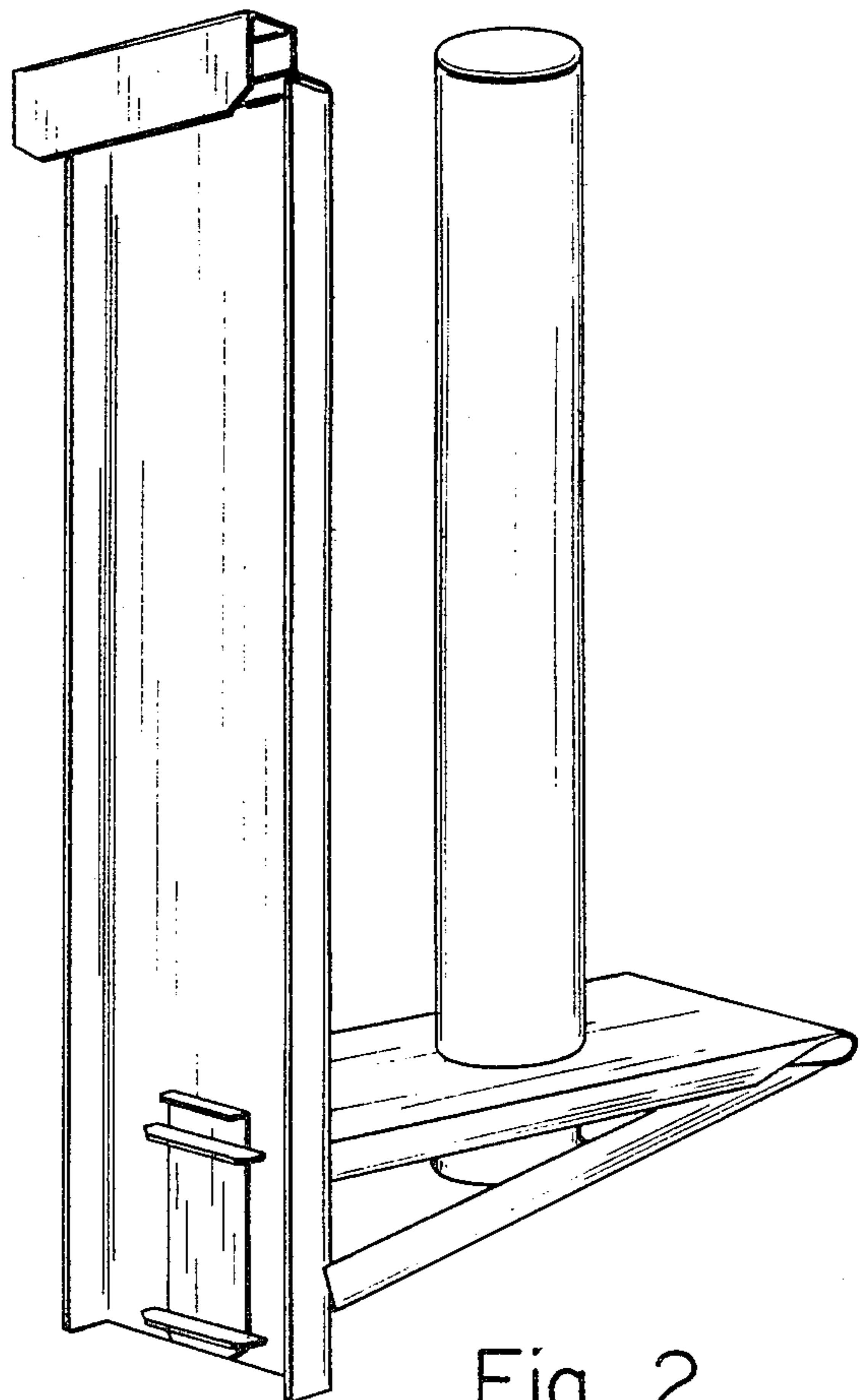


Fig. 2

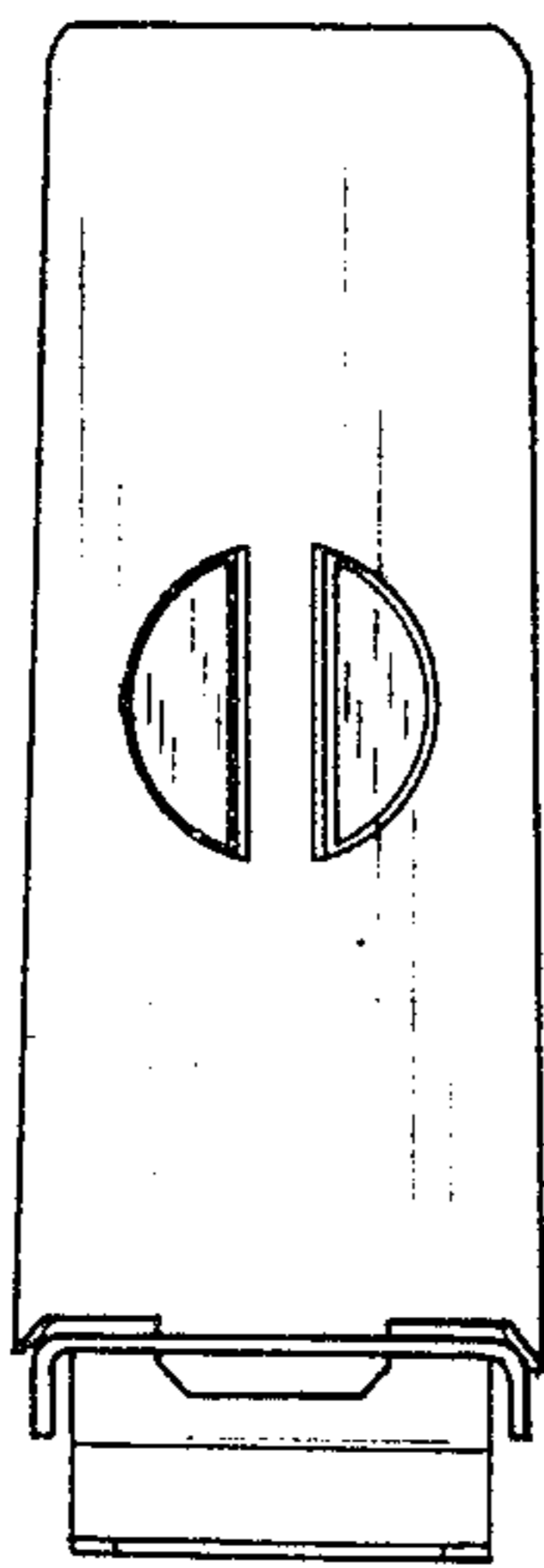


Fig. 3