

[54] HANDLE FOR A BAG

[76] Inventor: Maxime Parrochia, Quartier l'late, La Verpilliere, 38290, France

[**] Term: 14 Years

[21] Appl. No.: 364,284

[22] Filed: Apr. 1, 1982

[30] Foreign Application Priority Data

Nov. 23, 1981 [FR] France 81 4023

[52] U.S. Cl. D3/54; D8/306; D8/320

[58] Field of Search D8/300, 306, 313, 314, D8/315, 316, 319, 320; 16/110 R, 111 R, 112, 116 R, 121, 124; 190/115, 118; D3/45, 54; 383/6, 15

[56] References Cited

U.S. PATENT DOCUMENTS

D. 246,631 12/1977 Szabo D8/306

OTHER PUBLICATIONS

Luggage & Leather Goods, 3/67, p. 69, Handle (upper right).

Primary Examiner—B. J. Bullock

Attorney, Agent, or Firm—Dowell & Dowell

[57] CLAIM

The ornamental design for a handle for a bag, as shown.

DESCRIPTION

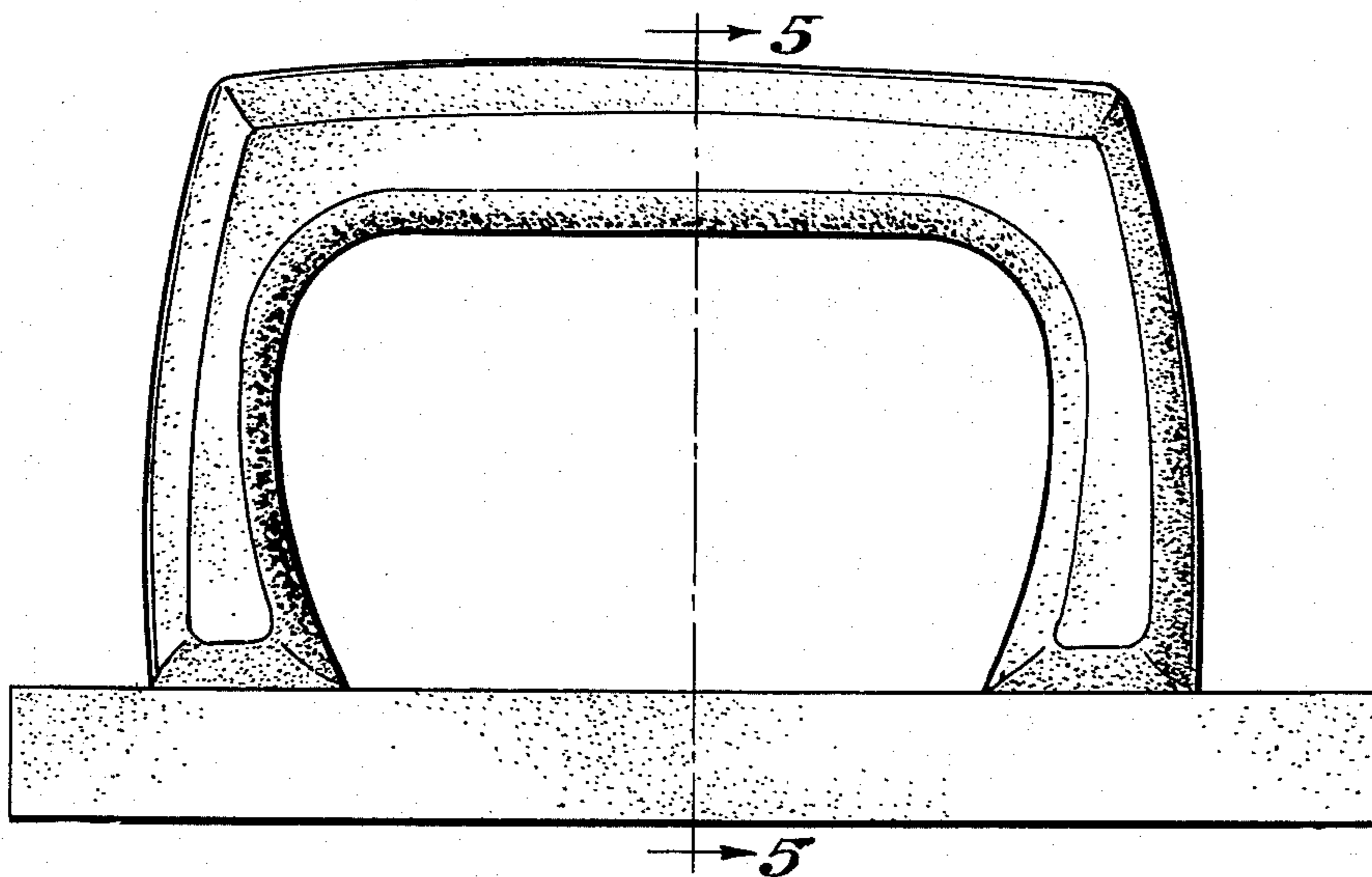
FIG. 1 is a front view of a handle for a bag showing my new design, the rear view being identical;

FIG. 2 is a top plan view;

FIG. 3 is a bottom plan view;

FIG. 4 is a side view, the opposite side being identical; and

FIG. 5 is a sectional view taken along the line 5—5 of FIG. 1.



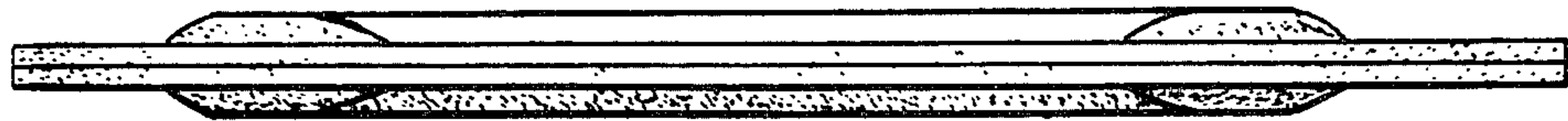
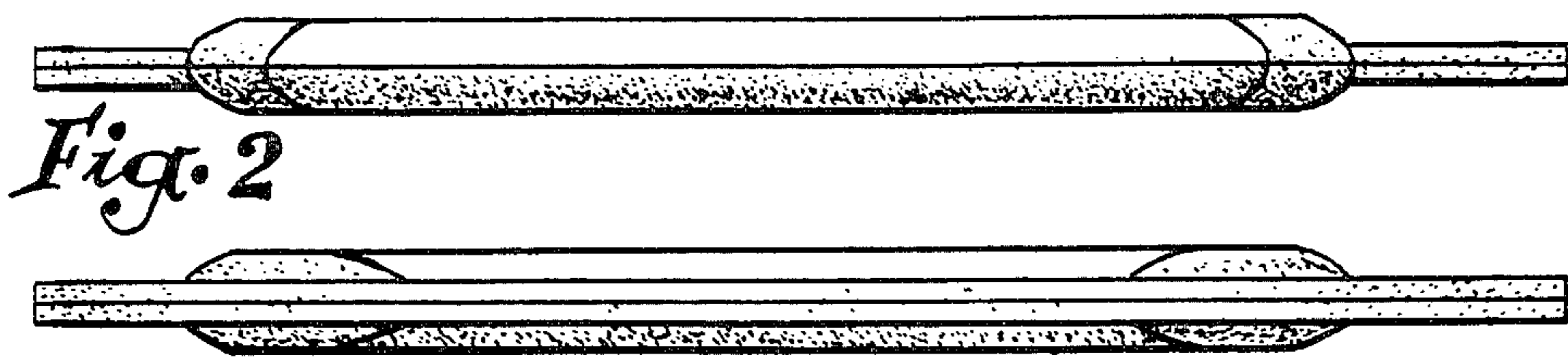
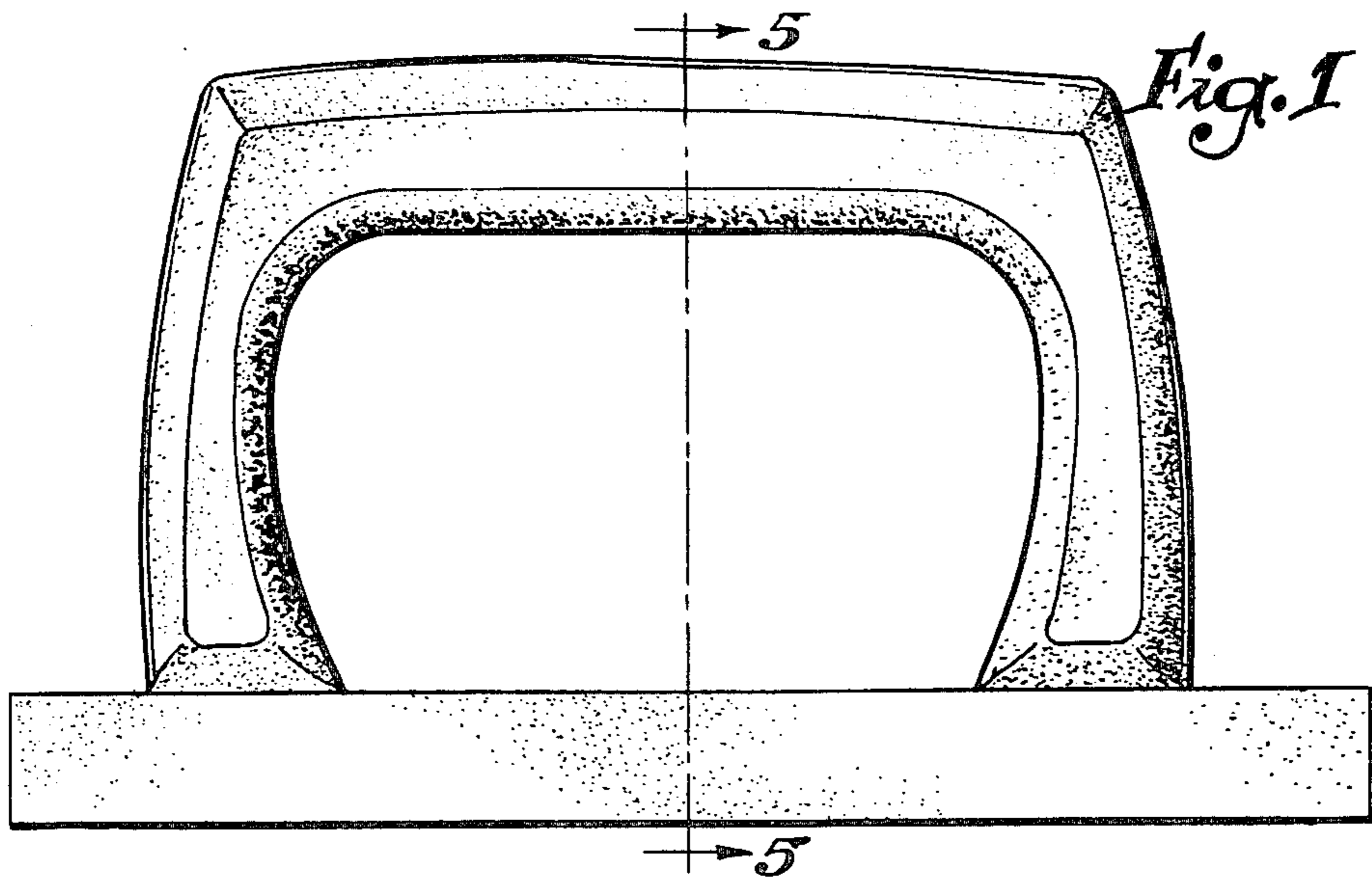


Fig. 3

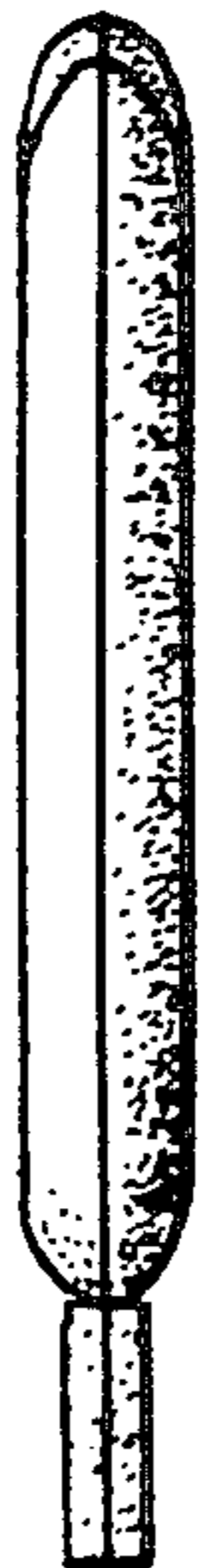


Fig. 4



Fig. 5