

[54] **HAIR DRYER**

[75] Inventor: **James M. Rittenhouse, Watchung, N.J.**

[73] Assignee: **Conair Corporation, Edison, N.J.**

[**] Term: **14 Years**

[21] Appl. No.: **511,634**

[22] Filed: **Jul. 7, 1983**

[52] U.S. Cl. **D28/13**

[58] Field of Search **D28/12, 13, 15-18; 34/96-101; D21/145, 147**

[56] **References Cited**

U.S. PATENT DOCUMENTS

D. 241,379	9/1976	Müller et al.	D28/15
D. 256,280	8/1980	Haase	D28/13
D. 261,563	10/1981	Lee	D28/13
D. 265,767	8/1982	Stewart et al.	D28/13
D. 268,370	3/1983	McBrien	D28/13

D. 274,153 6/1984 Nagelkerke D28/13

FOREIGN PATENT DOCUMENTS

82567 7/1978 Japan 34/69

Primary Examiner—Louis S. Zarfaz
Attorney, Agent, or Firm—Haynes N. Johnson

[57] **CLAIM**

The ornamental design for a hair dryer, substantially as shown and described.

DESCRIPTION

FIG. 1 is a perspective view of a hair dryer showing my new design, the cord being broken away for ease of illustration;

FIG. 2 is a top plan view thereof;

FIG. 3 is a bottom plan view thereof;

FIG. 4 is a left side elevation thereof;

FIG. 5 is a front elevation thereof;

FIG. 6 is a right side elevation thereof; and

FIG. 7 is a rear elevation thereof.

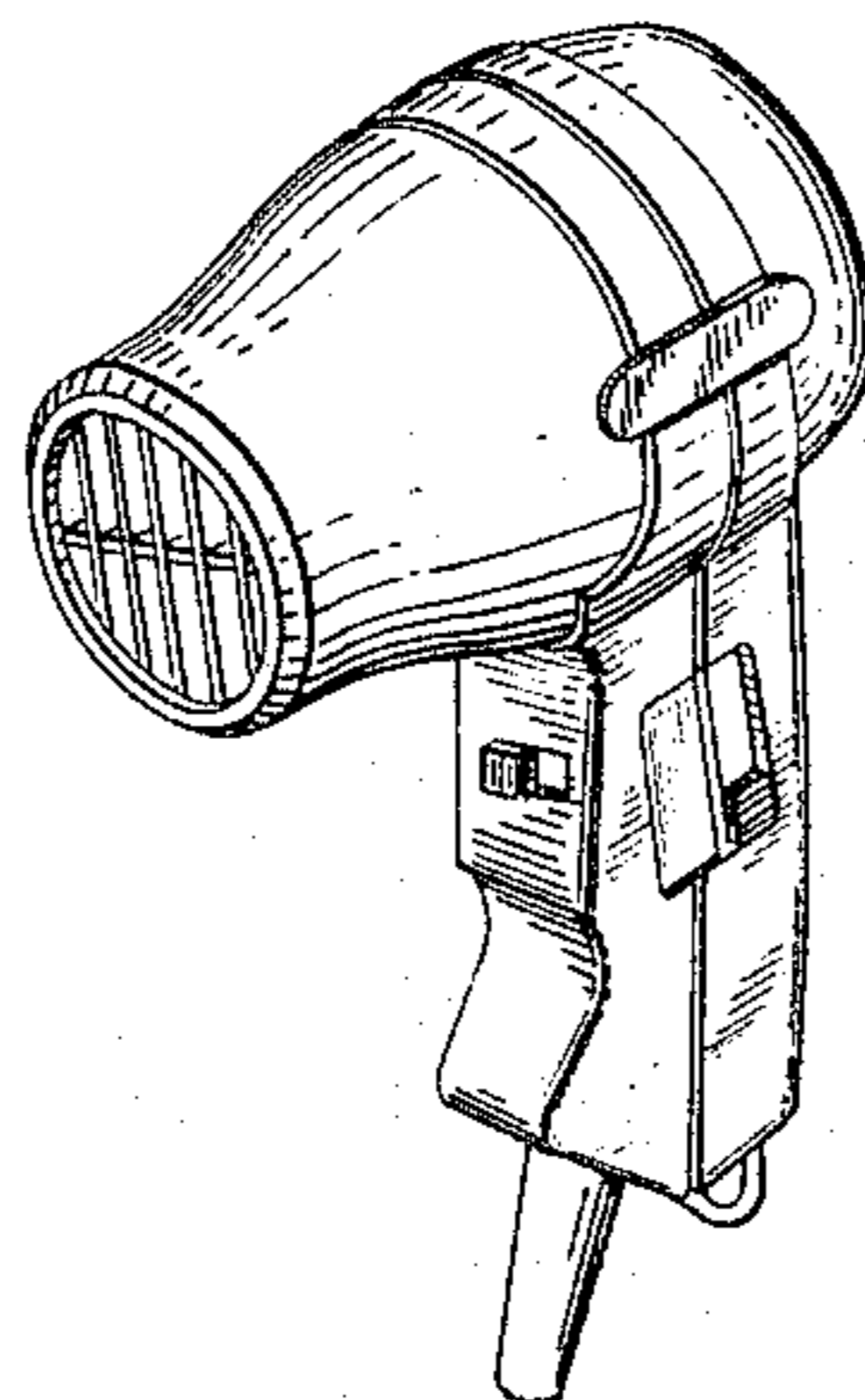


Fig. 1.

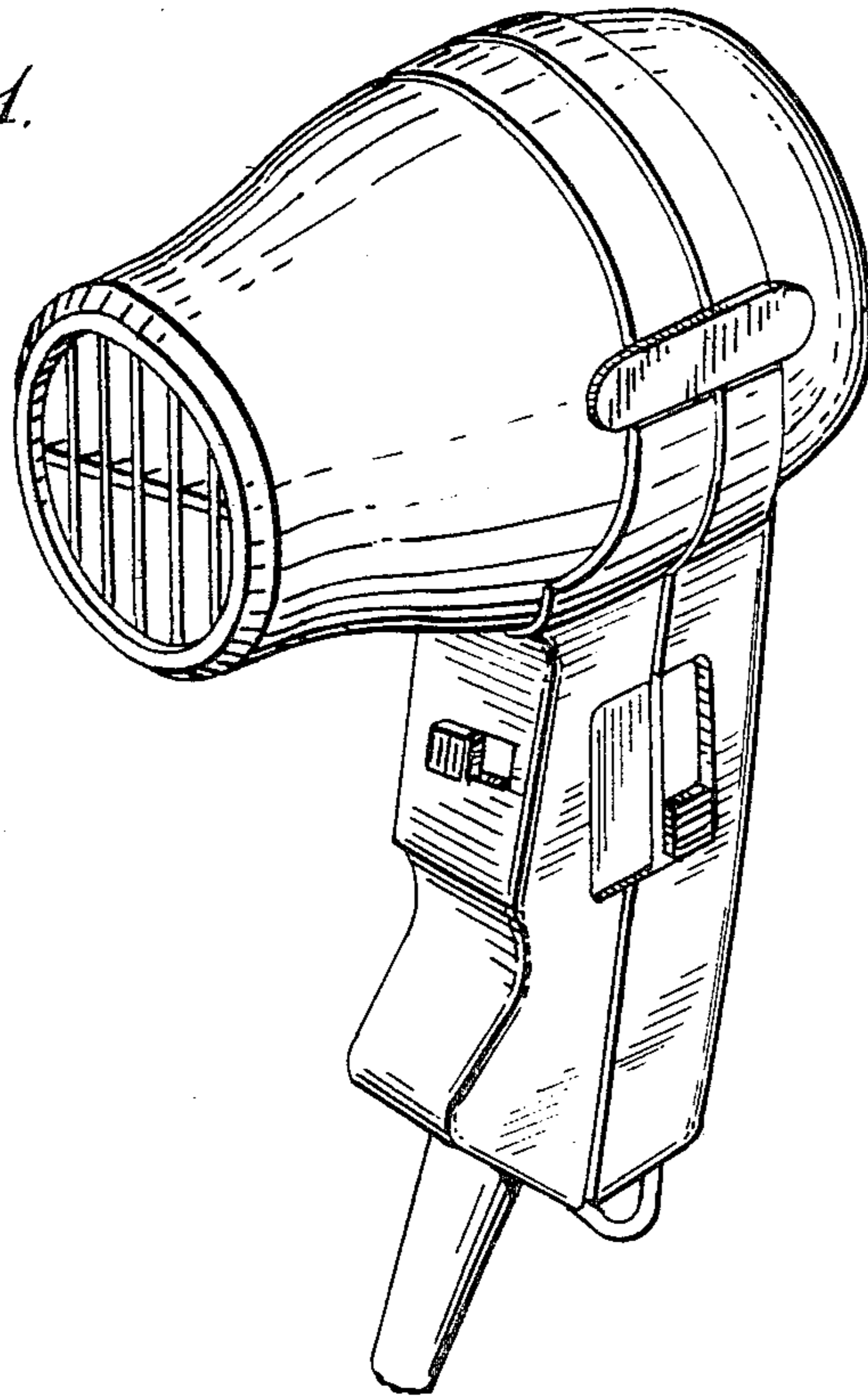


Fig. 2.

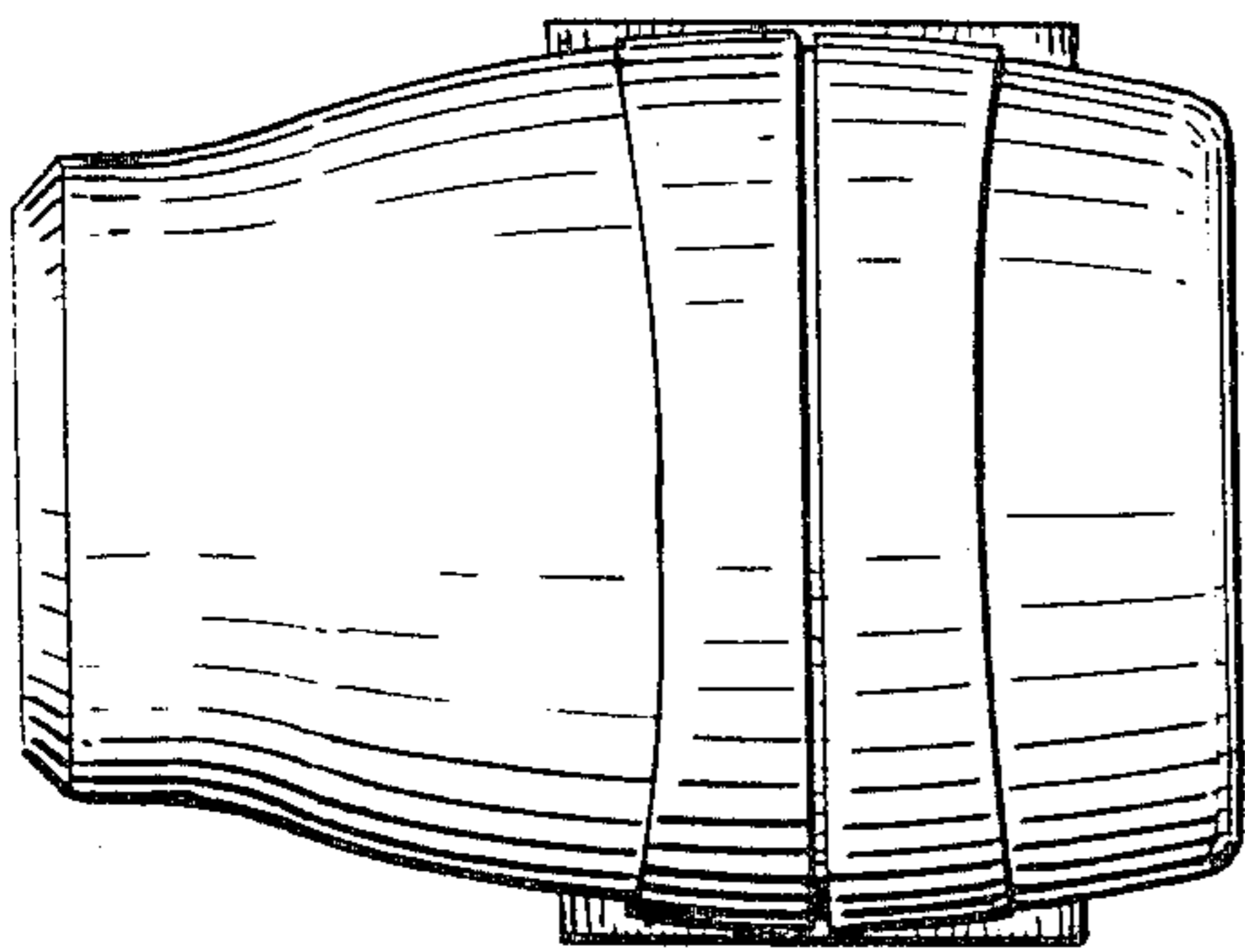


Fig. 3.

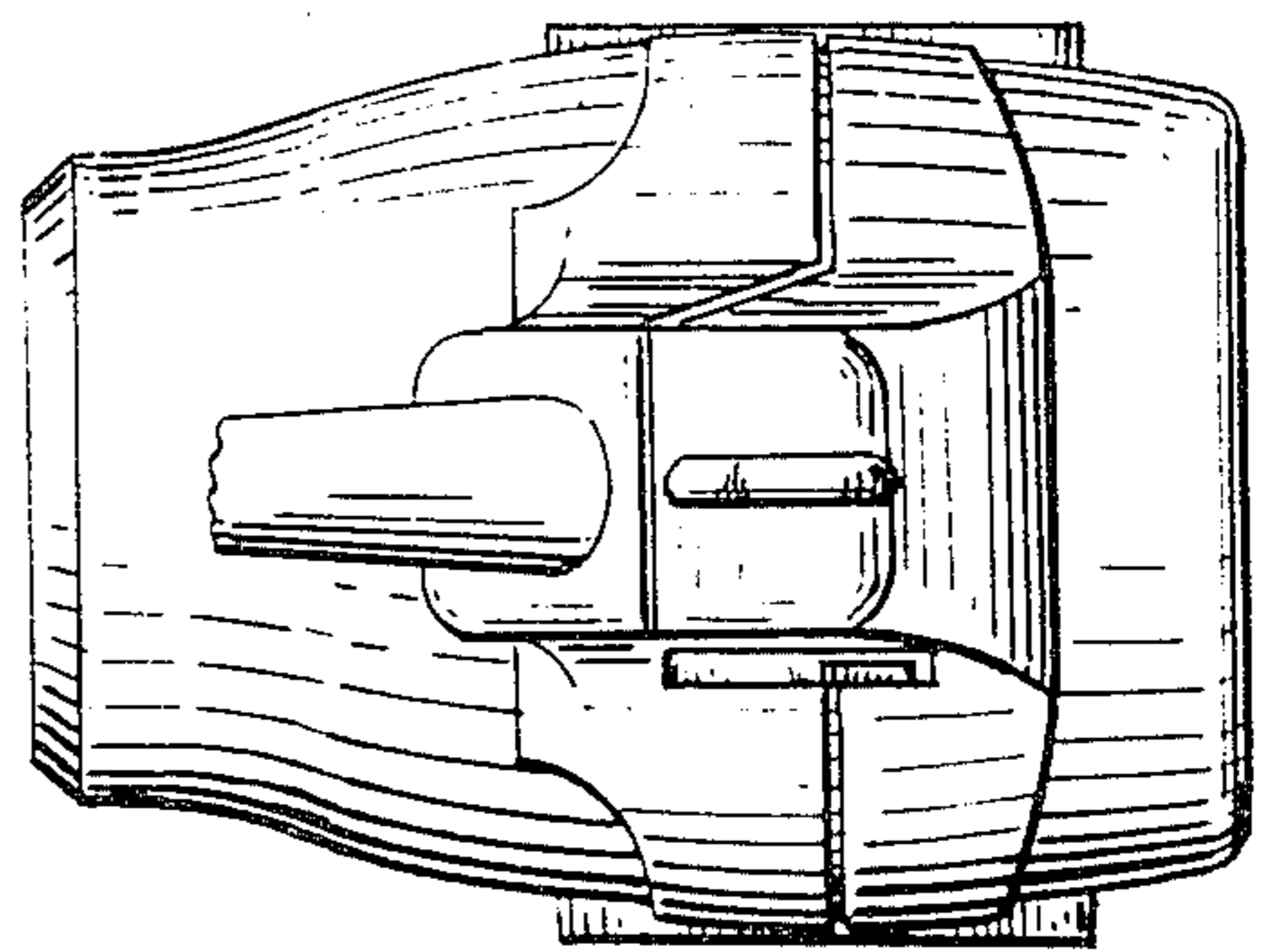


Fig. 7.

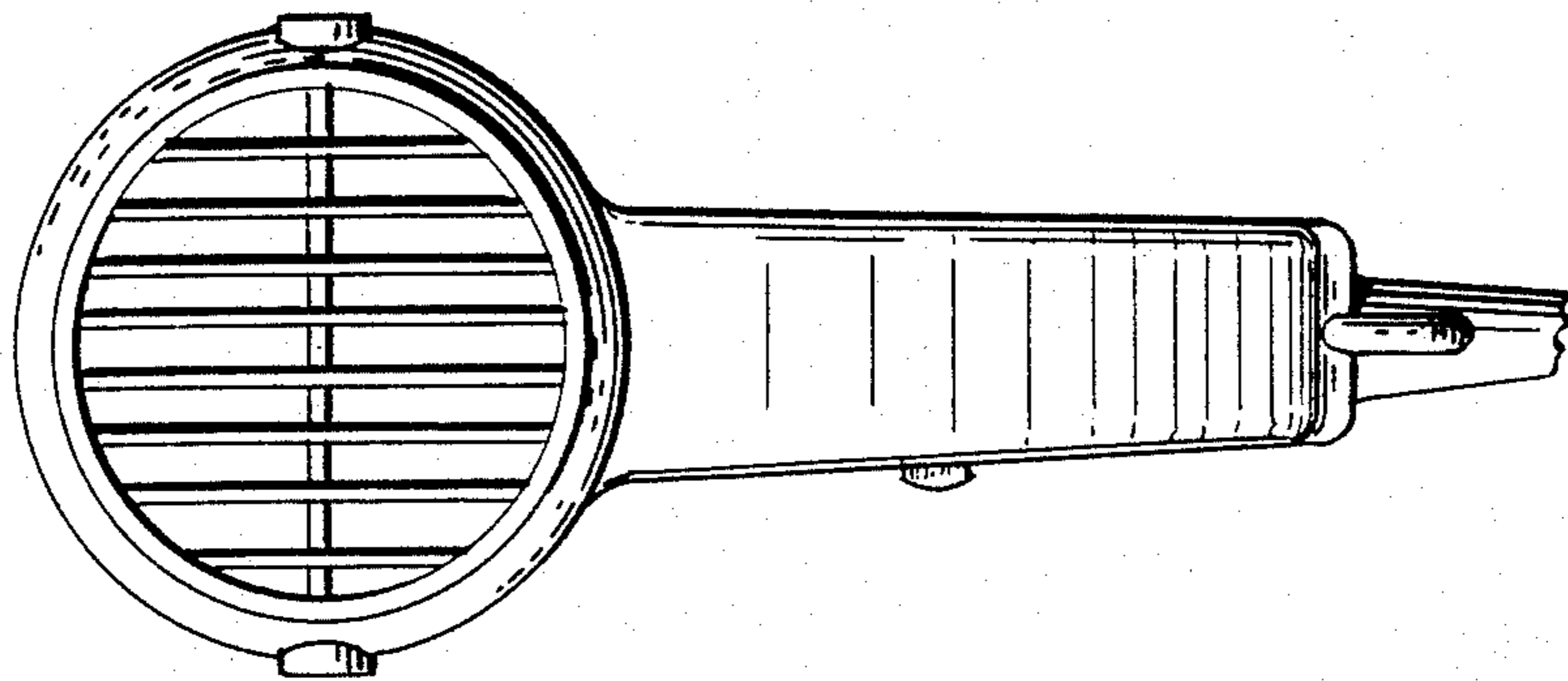


Fig. 6.

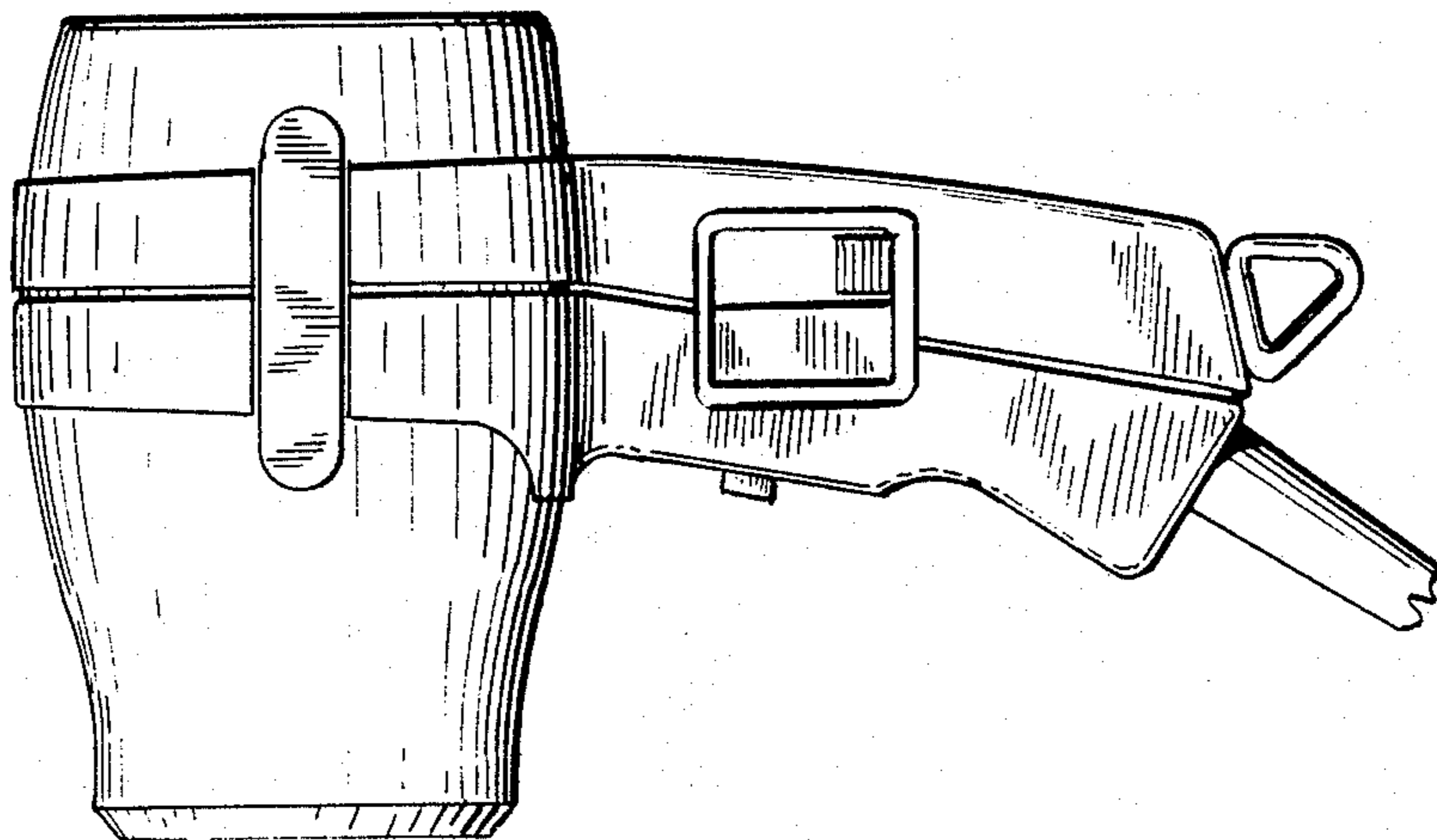


Fig. 5.

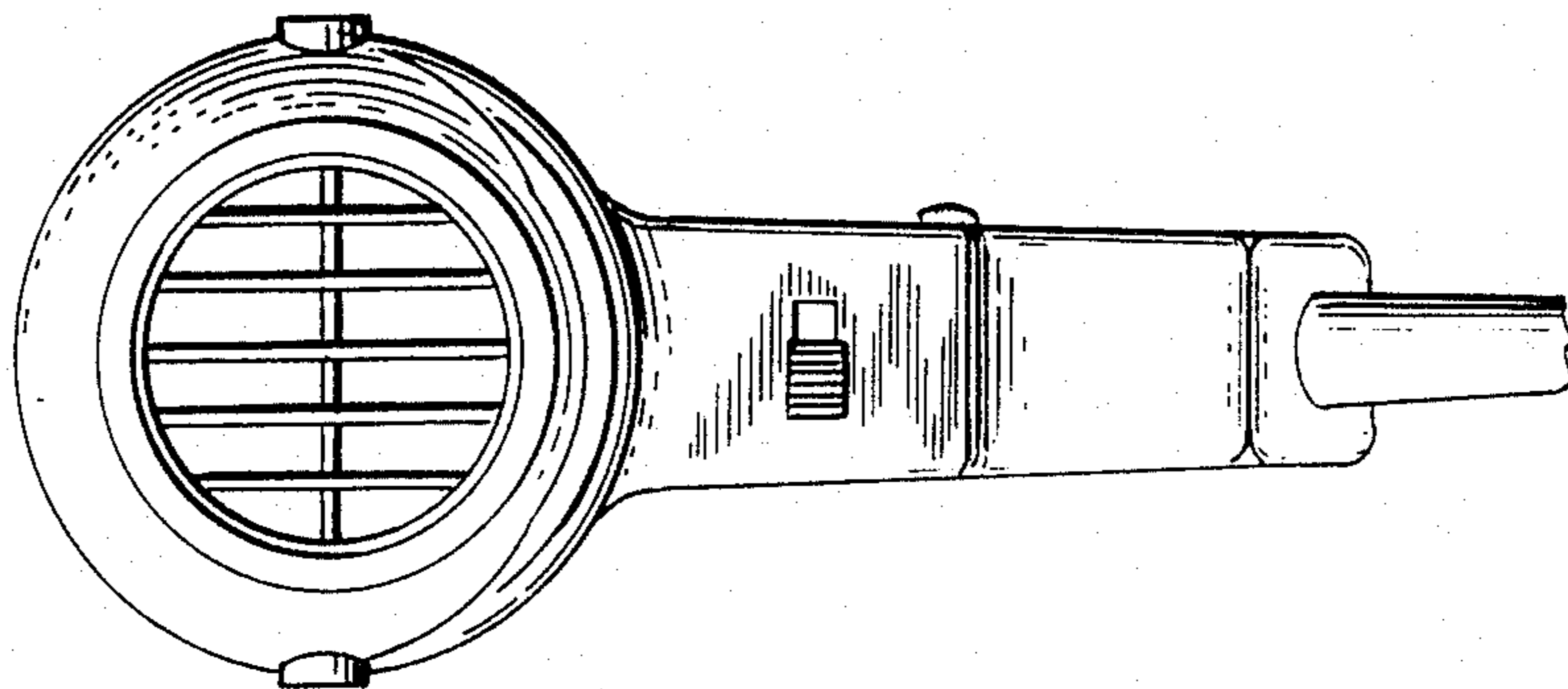


Fig. 4.

