

United States Patent [19]

Arginsky

[11] Patent Number: **Des. 277,610**

[45] Date of Patent: **** Feb. 12, 1985**

[54] **SPRAY HOOP**

[75] Inventor: **Richard C. Arginsky, Ellenville, N.Y.**

[73] Assignee: **Master Juvenile Products, Ellenville, N.Y.**

[**] Term: **14 Years**

[21] Appl. No.: **412,958**

[22] Filed: **Aug. 30, 1982**

[52] U.S. Cl. **D23/6**

[58] Field of Search **D23/6-13;**
239/273, 279, 285, 289, 567

2,665,171	1/1954	Stievater .	
2,791,466	5/1957	Crisp .	
2,829,379	4/1958	McGee .	
2,954,932	10/1960	Albano .	
3,170,171	2/1965	Mayhew et al.	239/567
3,322,347	5/1967	Pierce	239/289 X
3,326,551	6/1967	Clarke	239/567 X
3,363,268	1/1968	Friedlander	239/289 X
3,539,181	11/1970	Largen	239/289 X
3,679,136	7/1972	Snyder	239/289 X
4,124,206	11/1978	Price	239/280 X

Primary Examiner—James R. Largen
Attorney, Agent, or Firm—Lerner, David, Littenberg, Krumholz & Mentlik

[56] **References Cited**

U.S. PATENT DOCUMENTS

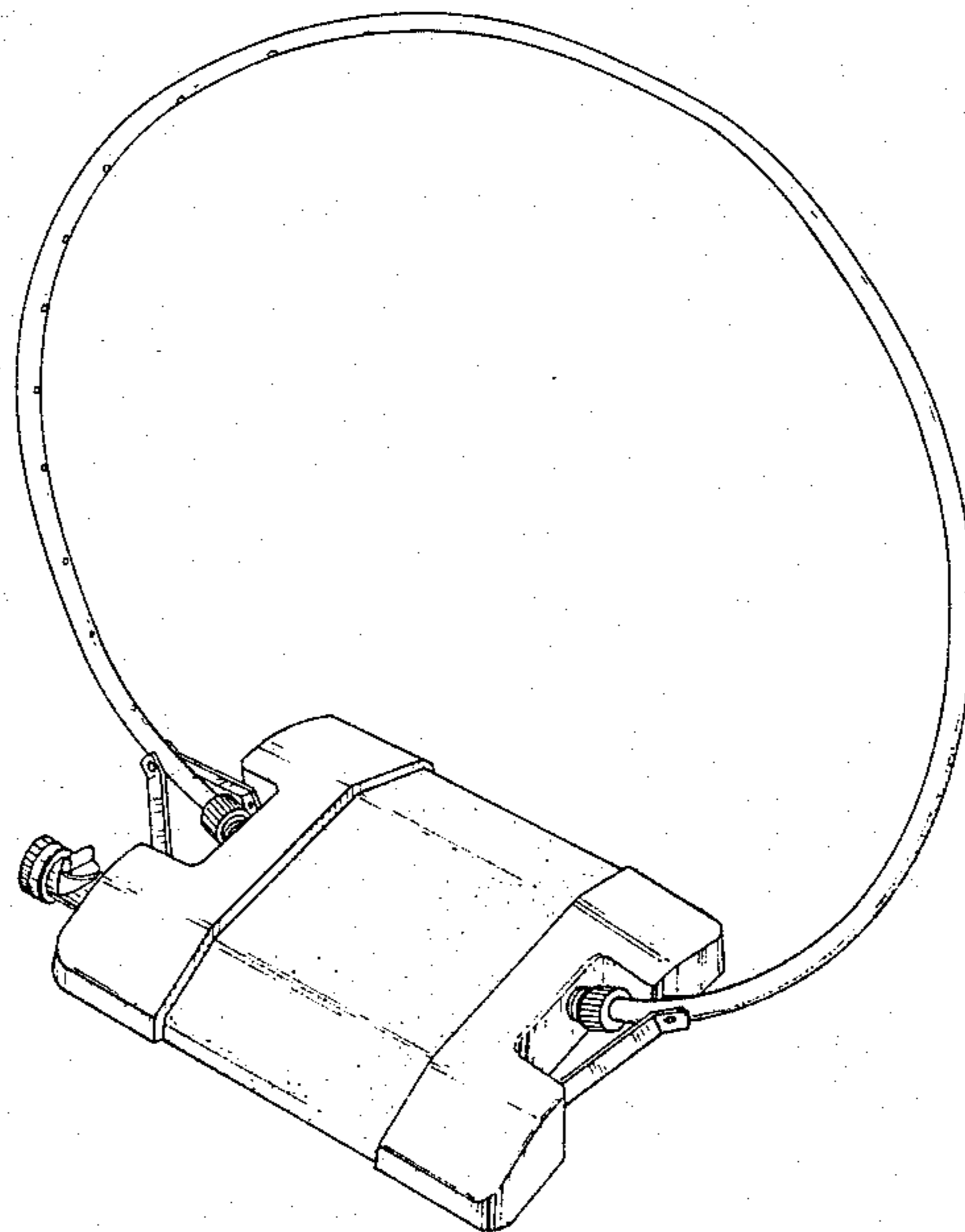
D. 35,074	9/1901	Hull .	
D. 167,307	7/1952	Ficken .	
D. 194,920	4/1963	Darling .	
D. 210,074	2/1968	Da Prato et al.	D23/10
D. 225,328	12/1972	Margrill	D23/6
D. 245,915	9/1977	Pearson .	
273,940	3/1883	Bonninghausen	D23/7 X
648,263	4/1900	Hull	239/268
1,758,767	5/1930	Taggart	D23/7 X
2,566,781	9/1951	Tetzlaff .	
2,580,629	1/1952	Wenzel .	

[57] **CLAIM**

The ornamental design for a spray hoop, as shown.

DESCRIPTION

FIG. 1 is a perspective view taken from the top, front and right side of a spray hoop showing my new design; FIG. 2 is a front elevational view thereof; FIG. 3 is a right side elevational view thereof; FIG. 4 is a rear elevational view thereof; FIG. 5 is a left side elevational view thereof; FIG. 6 is a top plan view thereof; and FIG. 7 is a bottom plan view thereof.



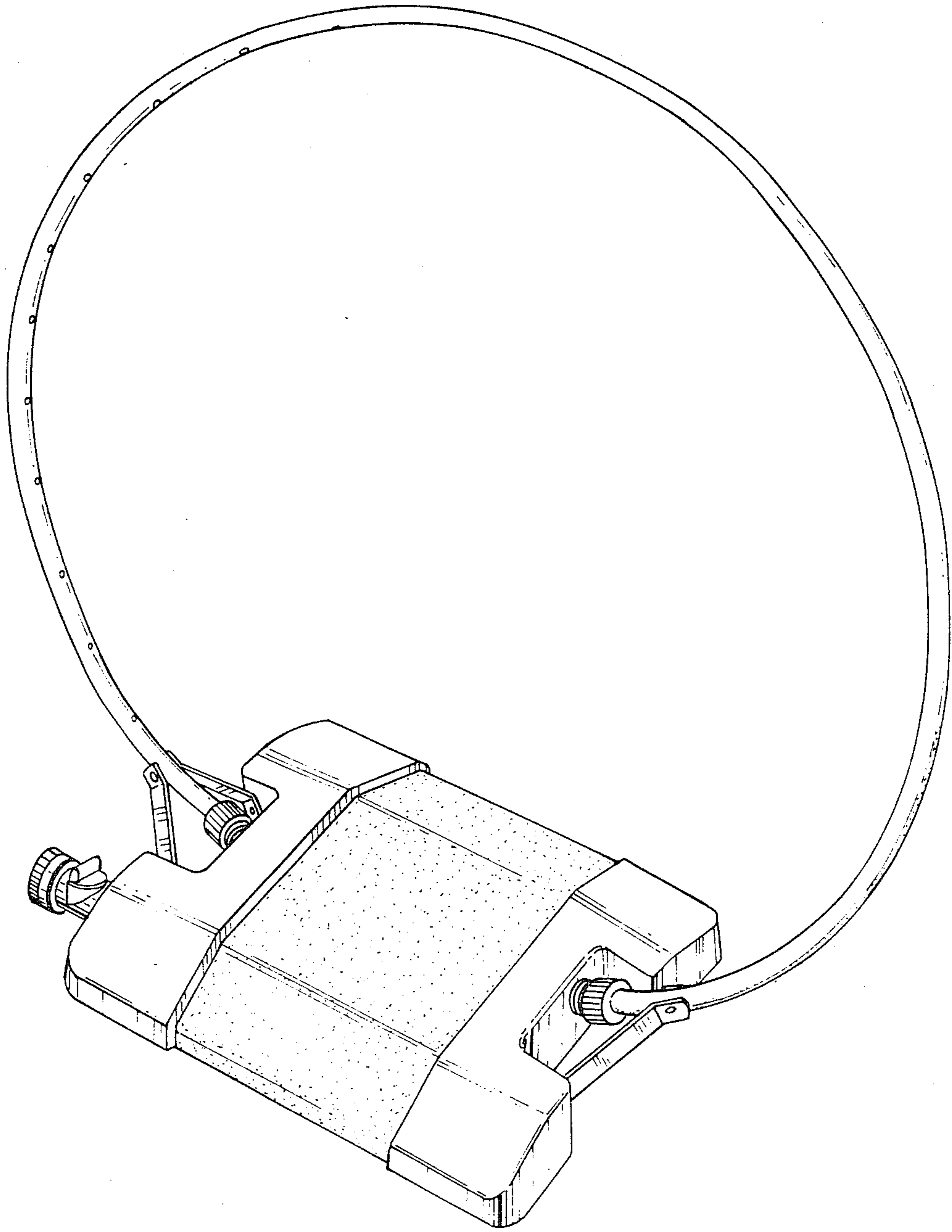


FIG. 1

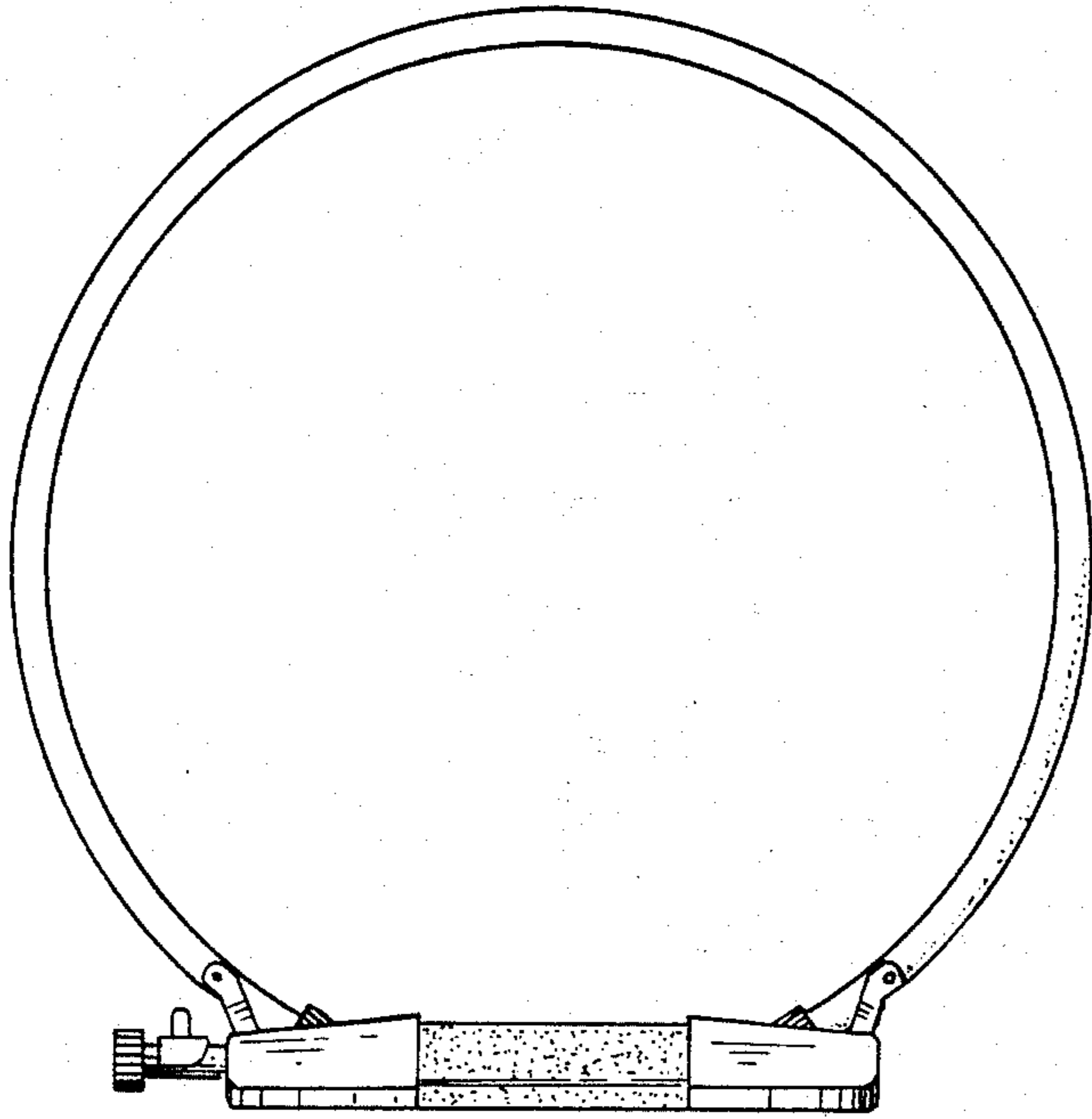


FIG. 2

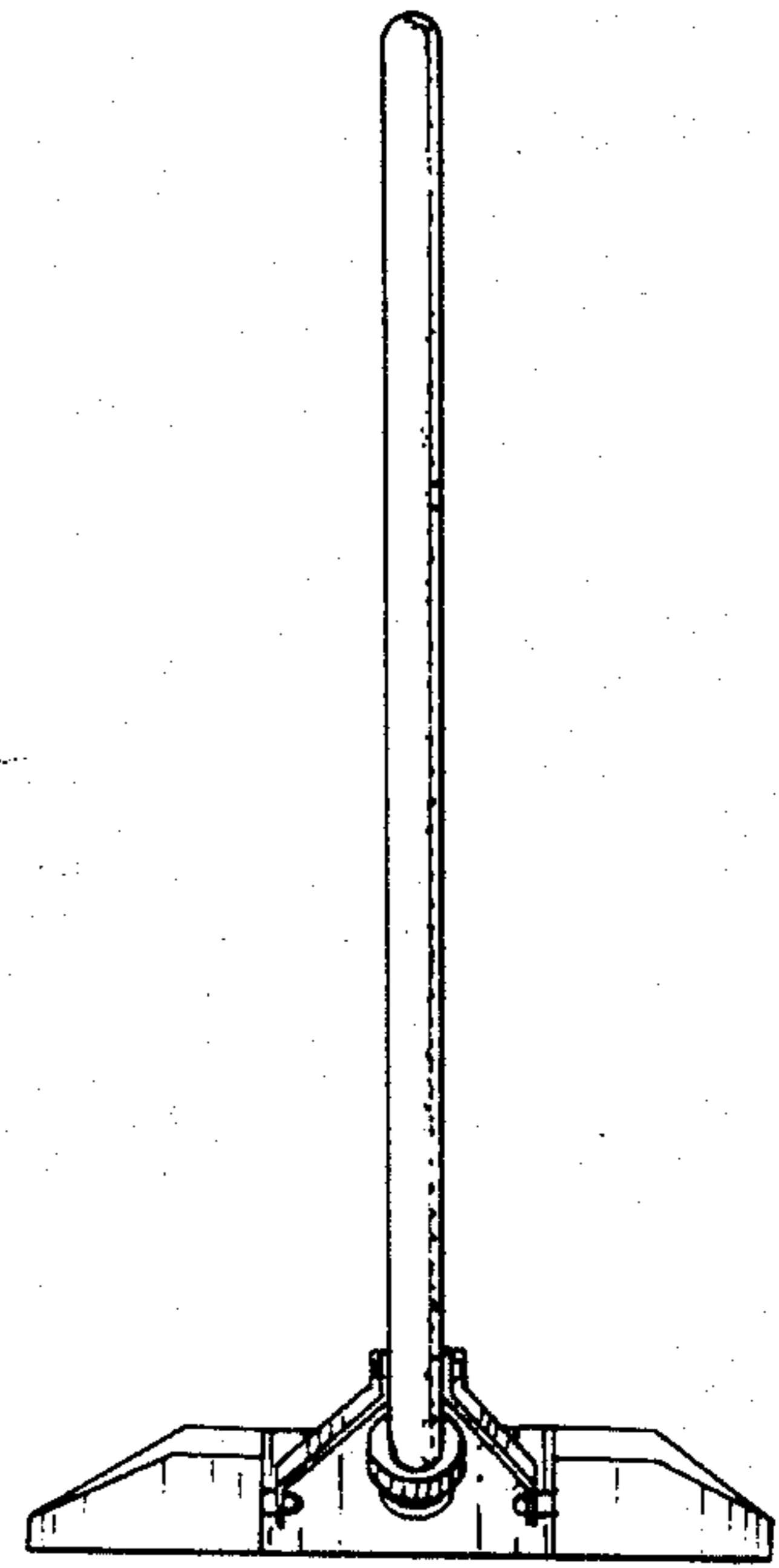


FIG. 3

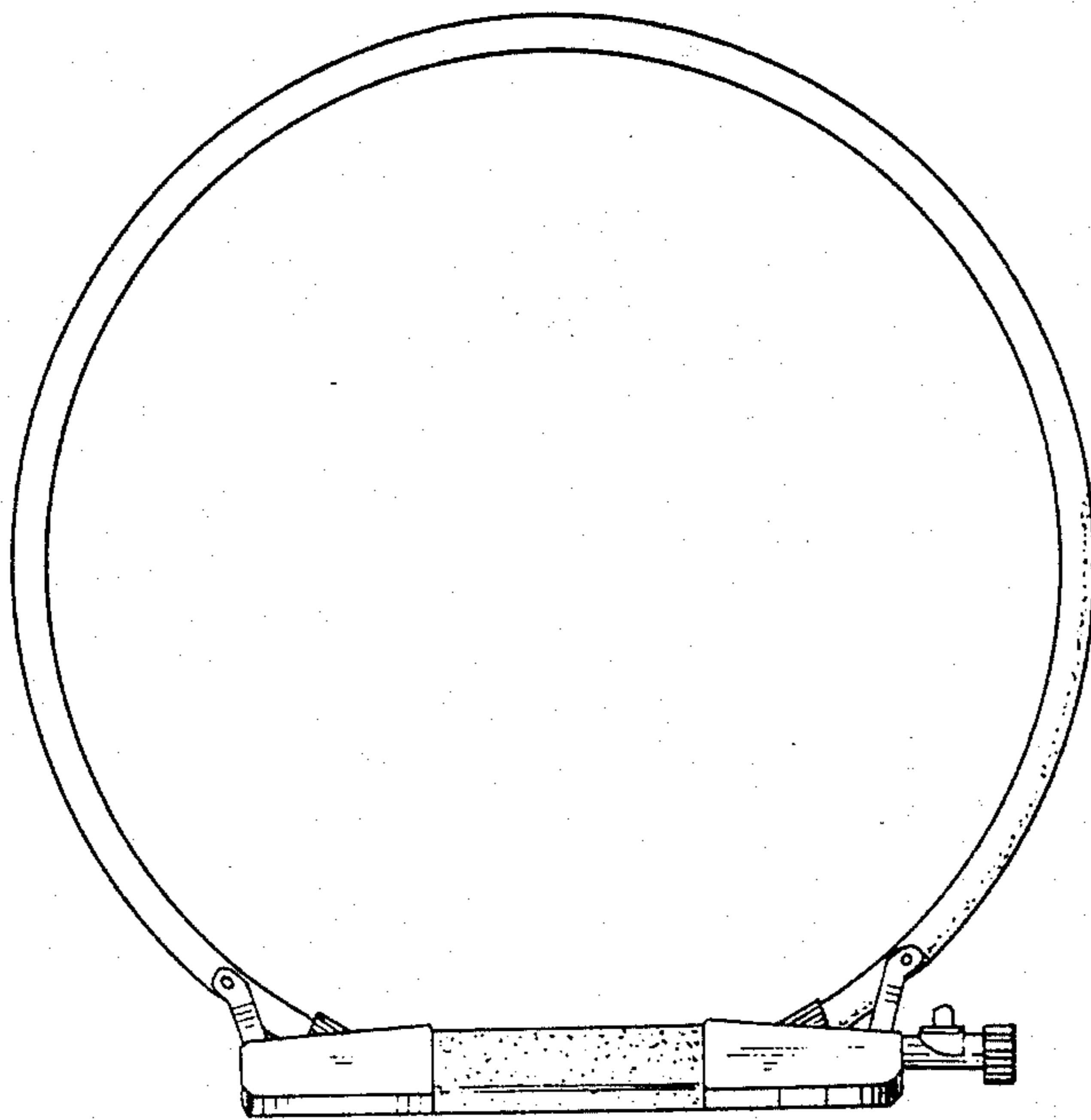


FIG. 4

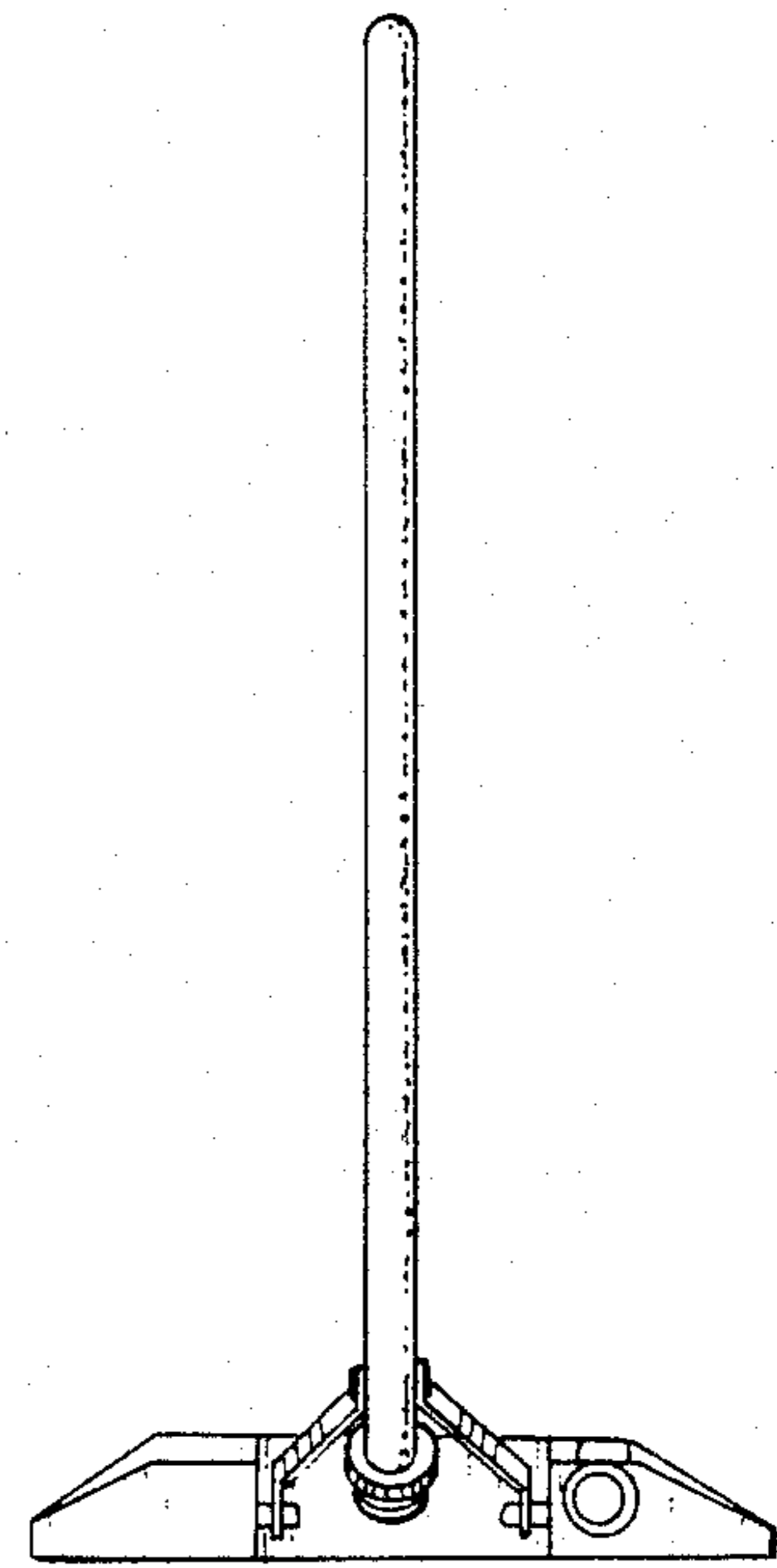


FIG. 5

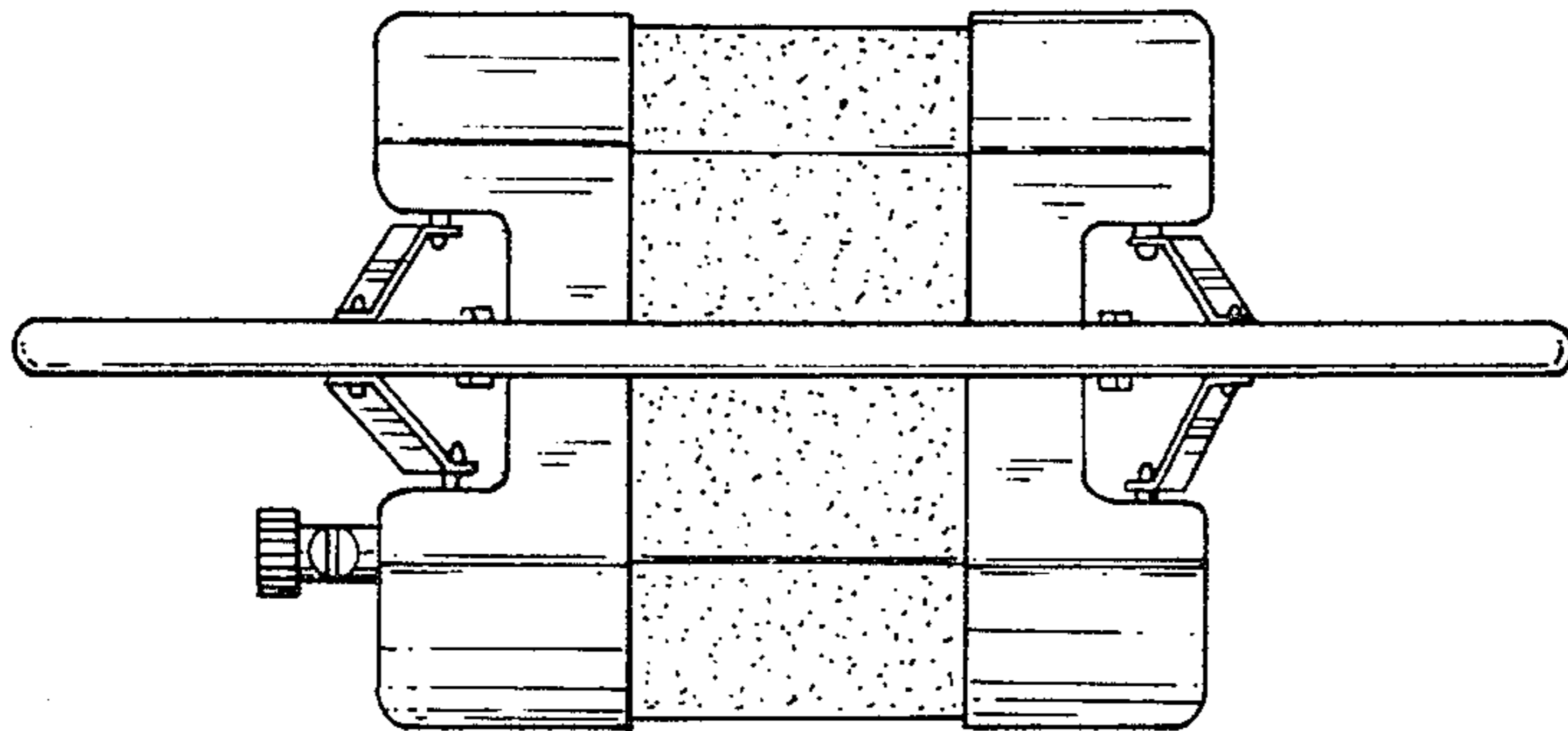


FIG. 6

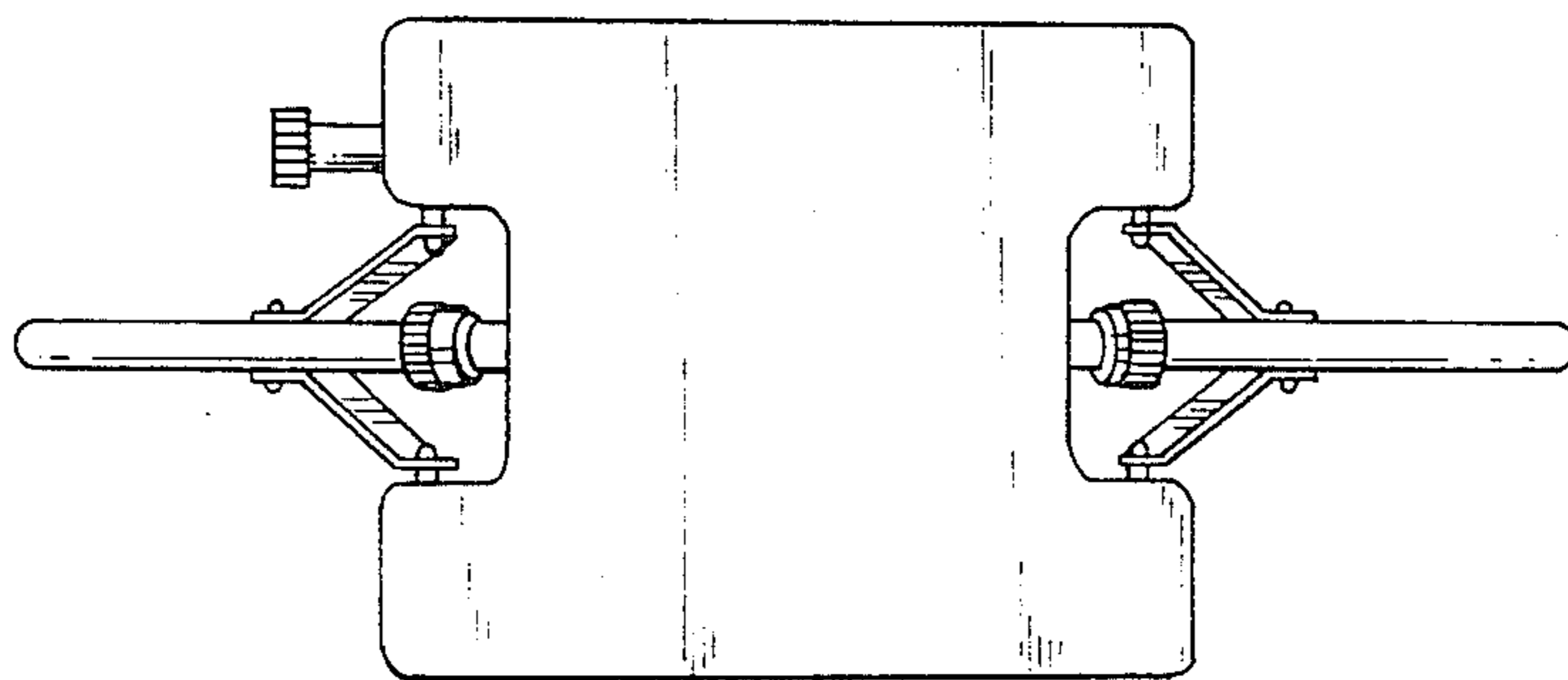


FIG. 7