

[54] **GLASS EYE FOR TAXIDERMY**

[76] **Inventor: Jerome J. Cebula, 14900 W. 31st Ave., Golden, Colo. 80401**

[**] **Term: 14 Years**

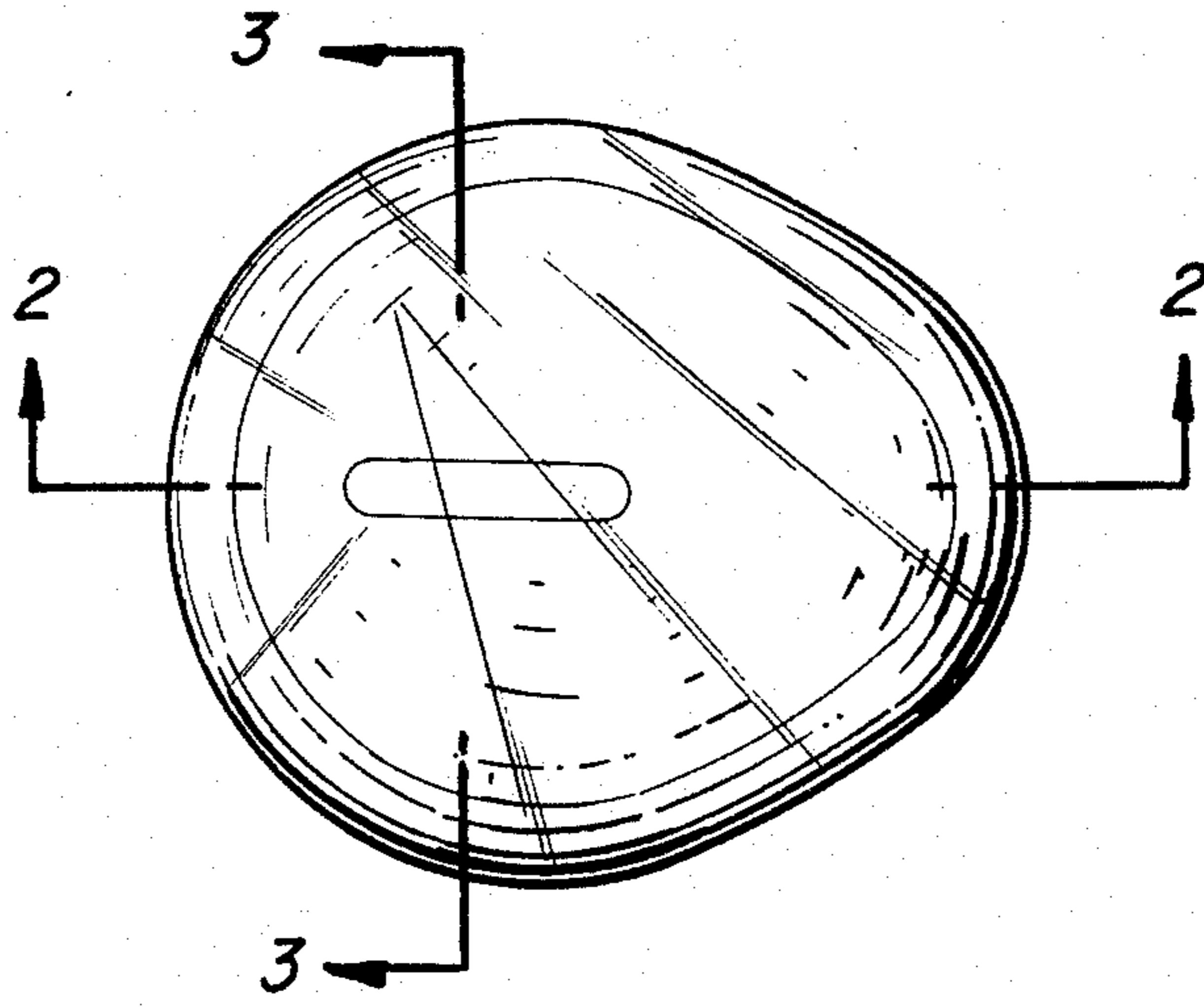
[21] **Appl. No.: 401,887**

[22] **Filed: Jul. 26, 1982**
[52] **U.S. Cl. D24/33**
[58] **Field of Search D24/33; D21/189, 190, D21/53; D30/99; 3/13; 46/164-166; 434/295-297**

[56] **References Cited**
U.S. PATENT DOCUMENTS
D. 266,696 10/1982 Crossley D24/33
Primary Examiner—Catherine E. Kemper

[57] **CLAIM**
The ornamental design for a glass eye for taxidermy, as shown.

DESCRIPTION
FIG. 1 is a top plan view of a glass eye for taxidermy embodying the present invention.
FIG. 2 is a side cross sectional view thereof.
FIG. 3 is a second cross sectional view thereof.



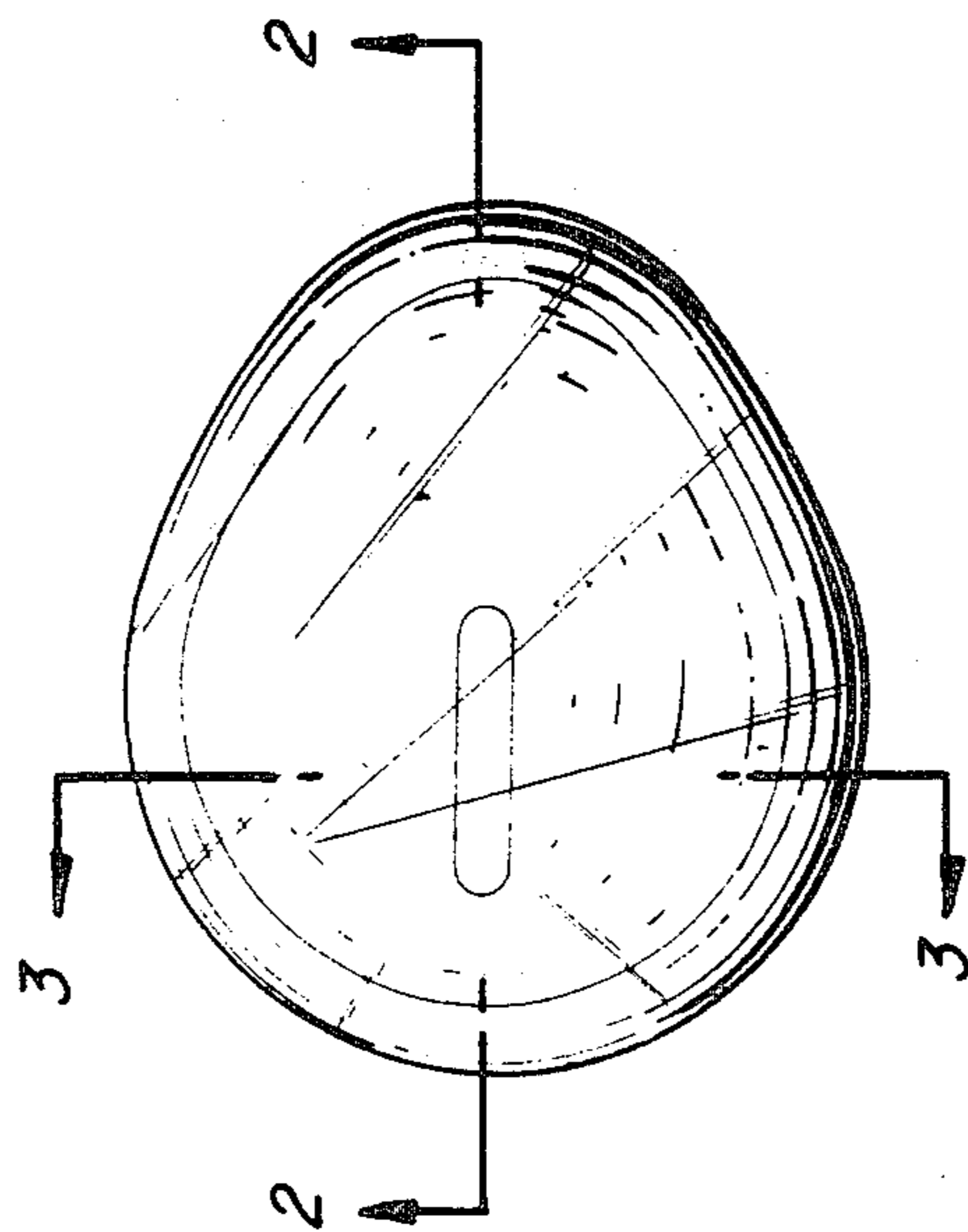


FIG. 1

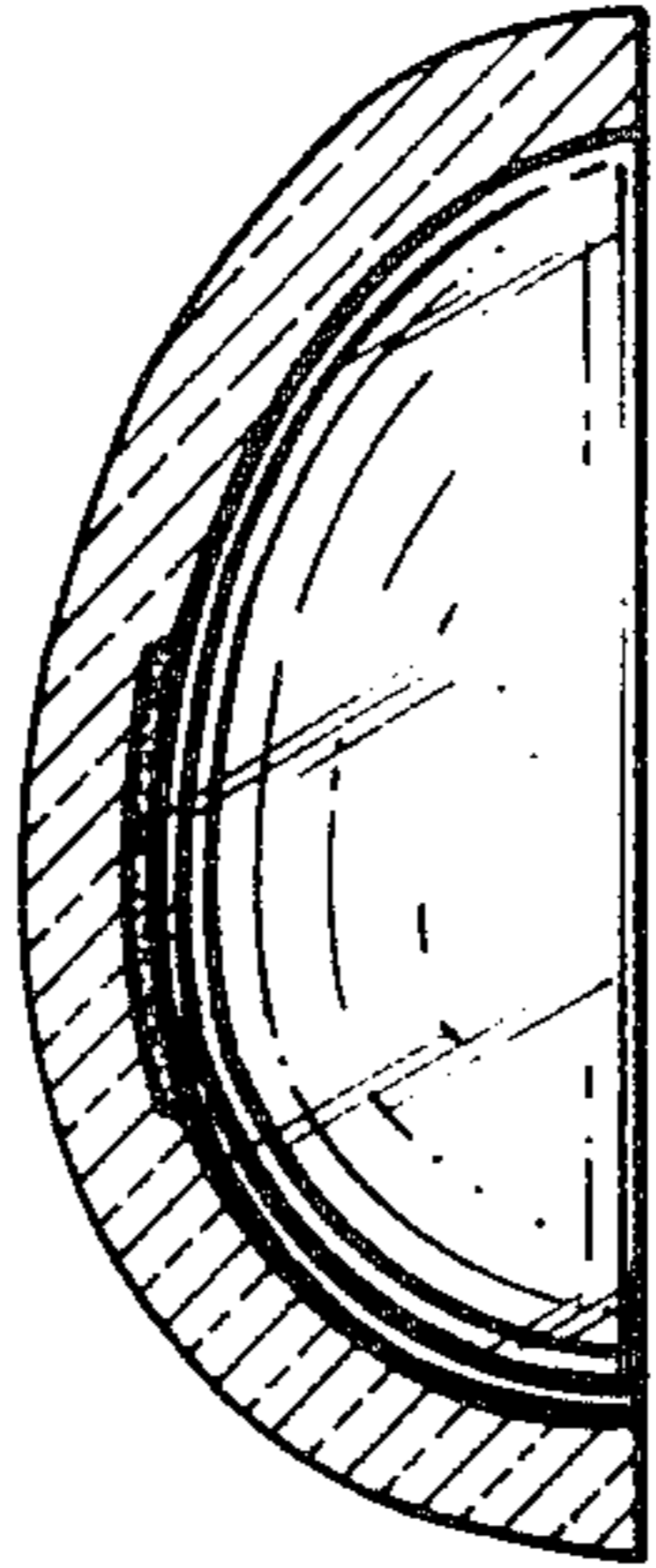


FIG. 2

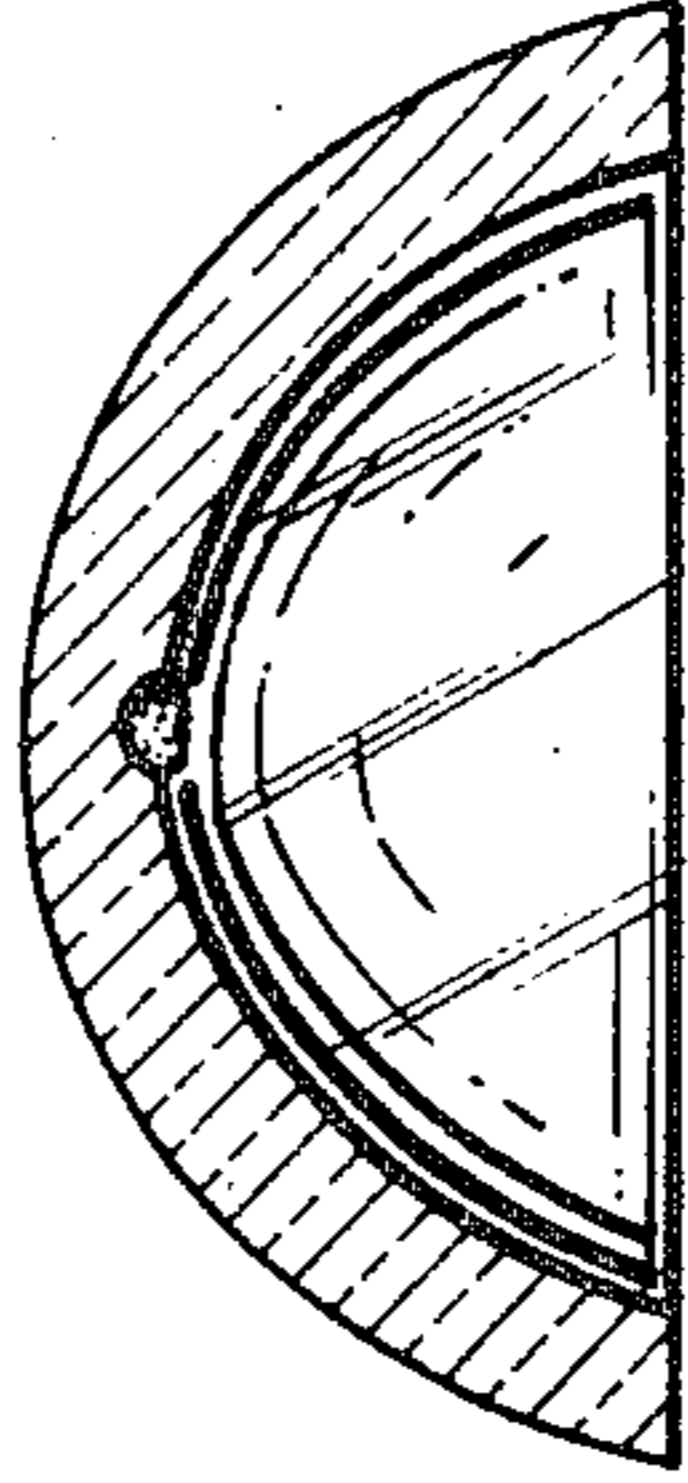


FIG. 3