

United States Patent [19]

Keresztes et al.

[11] Patent Number: **Des. 277,604**

[45] Date of Patent: **** Feb. 12, 1985**

[54] **SALIVA EVACUATOR**

[76] Inventors: **Gerald W. Keresztes**, 1822
Coachmans Trail, South Bend, Ind.
46637; **Katherine D. Wade**, 144
Bertrand Rd., Niles, Mich. 49120

[**] Term: **14 Years**

[21] Appl. No.: **413,964**

[22] Filed: **Sep. 1, 1982**

[52] U.S. Cl. **D24/10**

[58] Field of Search **D24/4, 10, 51;**
433/91-96

[56] **References Cited**

U.S. PATENT DOCUMENTS

D. 239,116 3/1976 Johnson D24/10

3,319,628 5/1967 Halligan 433/91 X
3,333,340 8/1967 Boisvert 433/91
3,742,607 7/1973 Johnson 433/91
3,768,477 10/1973 Anders et al. 433/91
3,864,831 2/1975 Drake 433/91

Primary Examiner—Catherine E. Kemper
Attorney, Agent, or Firm—James D. Hall

[57] **CLAIM**

The ornamental design for a saliva evacuator, as shown and described.

DESCRIPTION

FIG. 1 is a front perspective view of a saliva evacuator showing my new design;
FIG. 2 is a front elevational view thereof;
FIG. 3 is a side elevational view thereof, the side opposite being substantially a mirror image; and
FIG. 4 is a rear elevational view thereof.

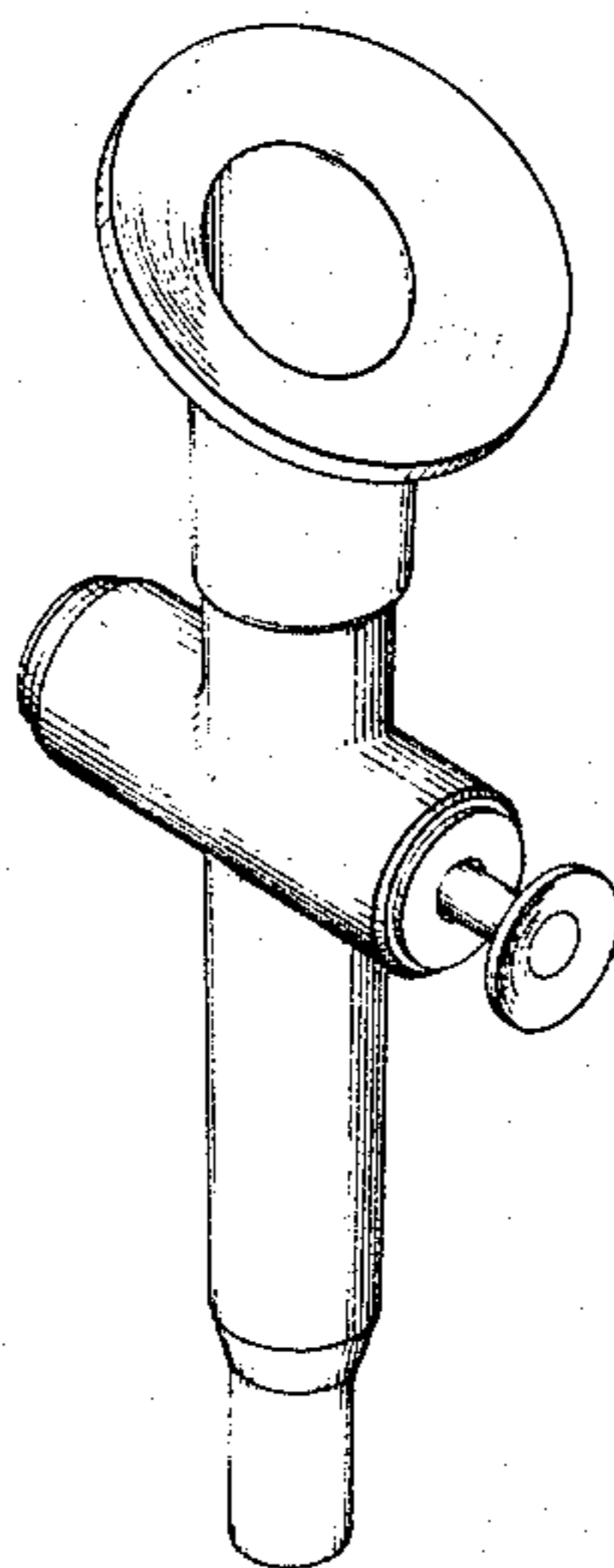


Fig. 1

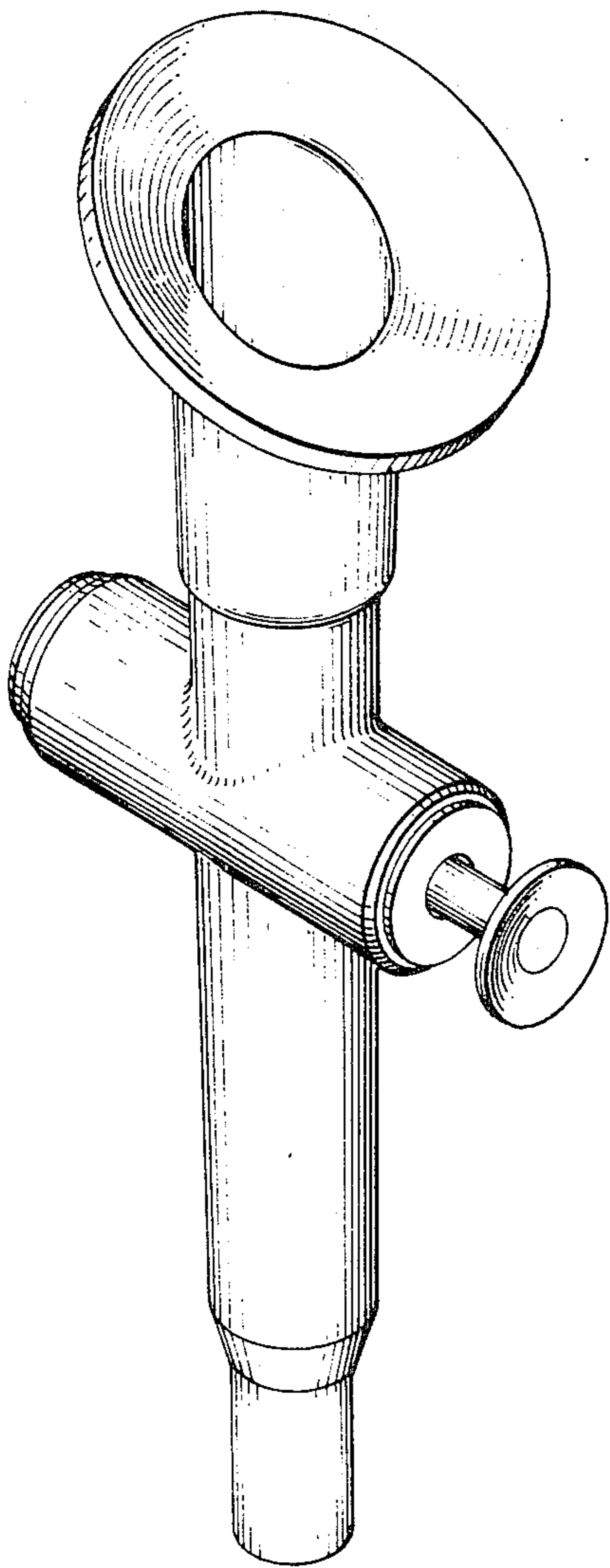


Fig. 2

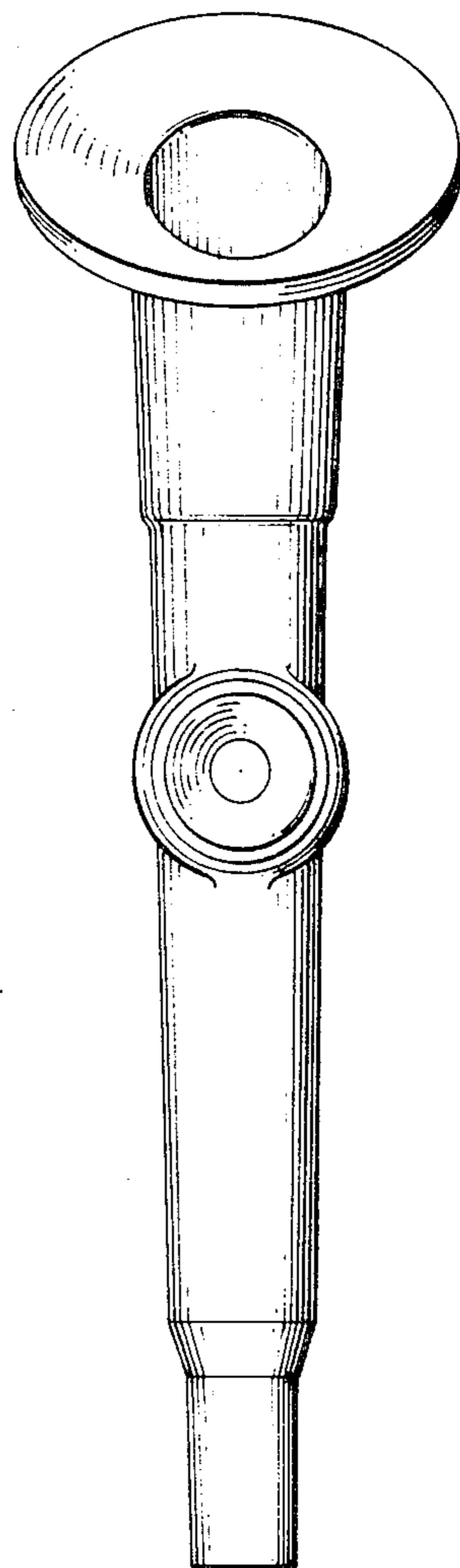


Fig. 3

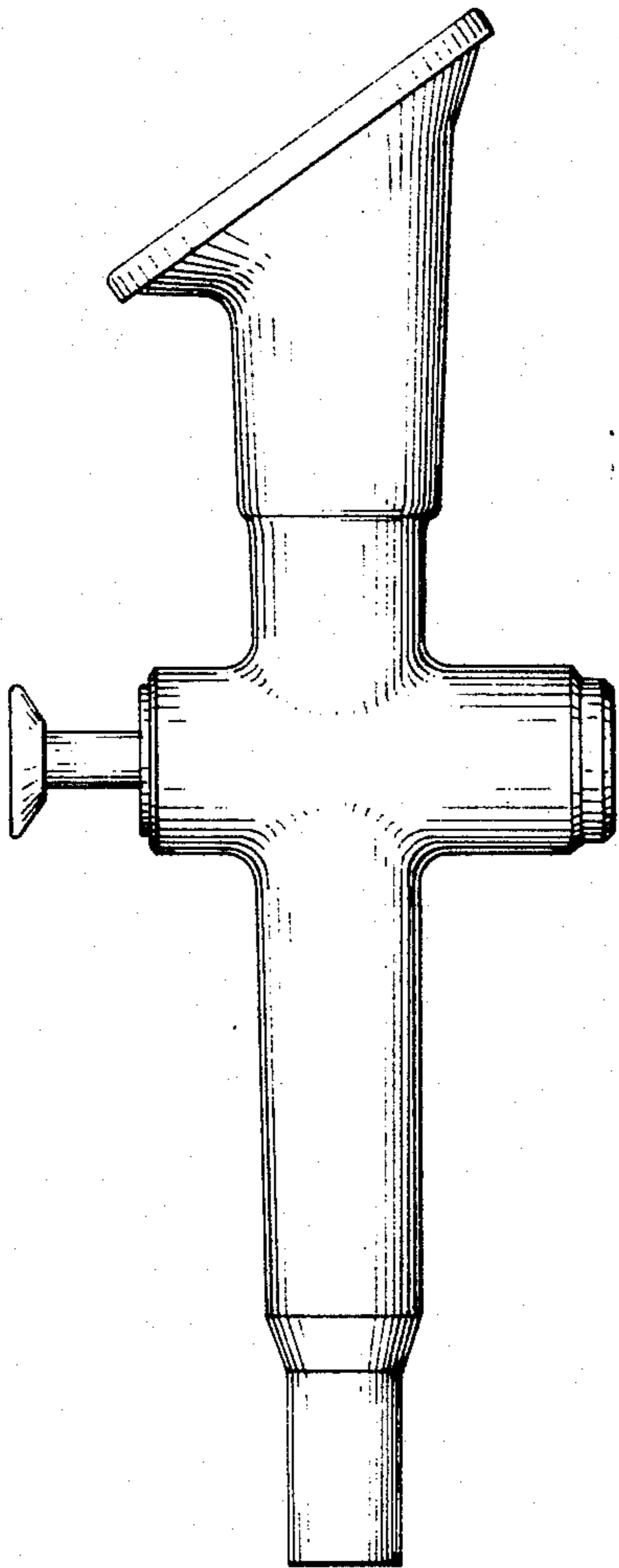


Fig. 4

