

United States Patent [19]

D'Alo et al.

[11] Patent Number: **Des. 277,603**

[45] Date of Patent: **** Feb. 12, 1985**

[54] **I.V. FLOW CONTROL APPARATUS**

[75] Inventors: **Herbert F. D'Alo, Lakewood; Robert Case, Chicago, both of Ill.**

[73] Assignee: **Abbott Laboratories, North Chicago, Ill.**

[**] Term: **14 Years**

[21] Appl. No.: **378,298**

[22] Filed: **May 14, 1982**

[52] U.S. Cl. **D24/8**

[58] Field of Search **D24/8, 52, 53, 99, 17; D10/81, 46, 104; 604/153; 128/DIG. 13; 417/477; D15/7**

[56] **References Cited**

U.S. PATENT DOCUMENTS

D. 236,163 7/1975 Manno D24/8
3,912,168 10/1975 Mullins et al. 604/153
4,094,318 6/1978 Burke et al. 128/DIG. 13

4,336,800 6/1982 Giovanni 604/153
4,383,252 5/1983 Purcell et al. 128/DIG. 13
4,451,255 5/1984 Bujan et al. 604/153

Primary Examiner—A. Hugo Word

Assistant Examiner—Ruth C. Anderson

Attorney, Agent, or Firm—Alan R. Thiele; Neil E. Hamilton

[57] **CLAIM**

The ornamental design for an I.V. flow control apparatus, substantially as shown and described.

DESCRIPTION

FIG. 1 is a perspective view of our new design for an I.V. flow control apparatus;
FIG. 2 is a back perspective view;
FIG. 3 is a side elevational view;
FIG. 4 is a front elevational view;
FIG. 5 is a side elevational view opposite FIG. 3;
FIG. 6 is a top plan view;
FIG. 7 is a back elevational view; and
FIG. 8 is a bottom plan view.

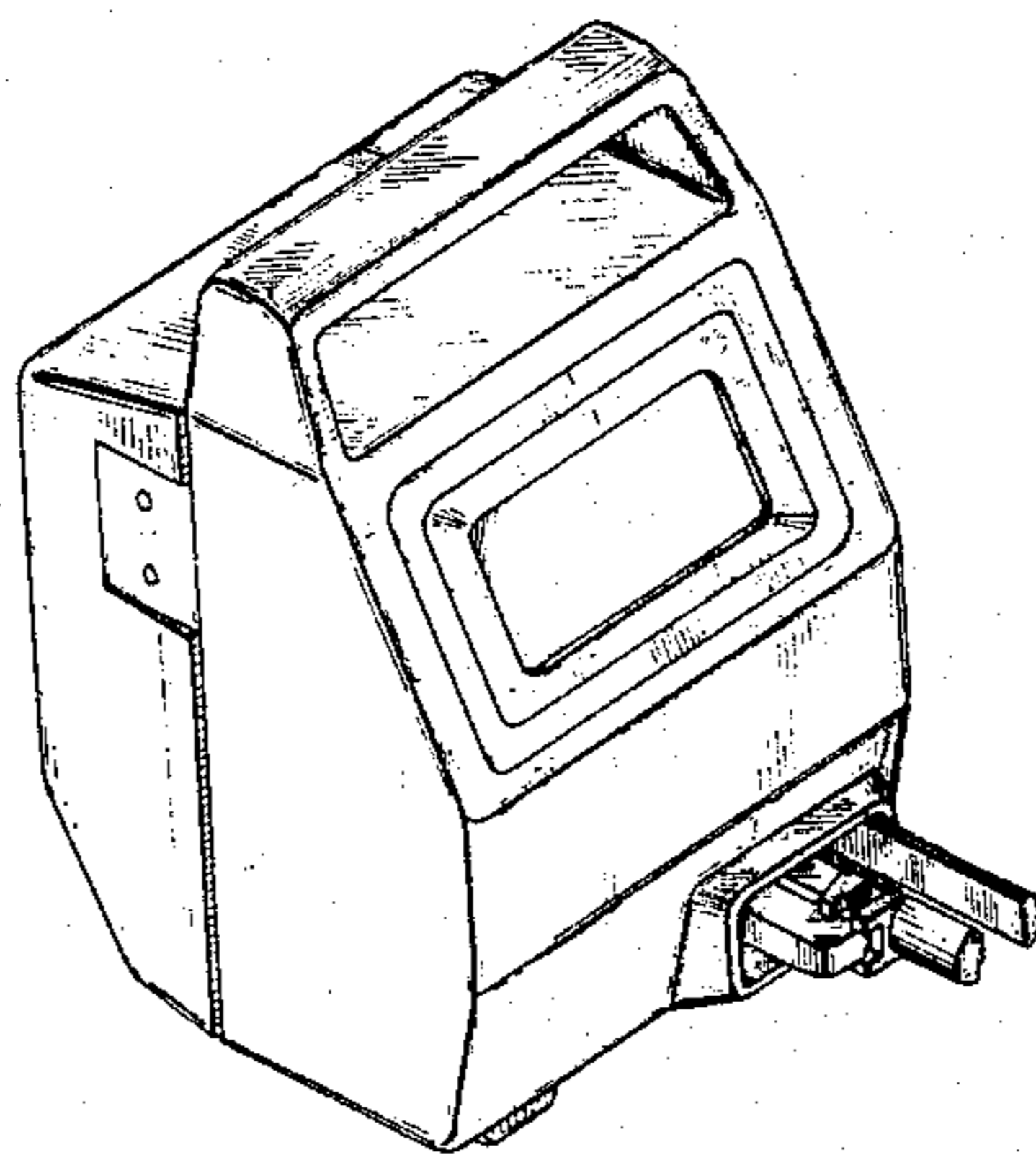


Fig. 2.

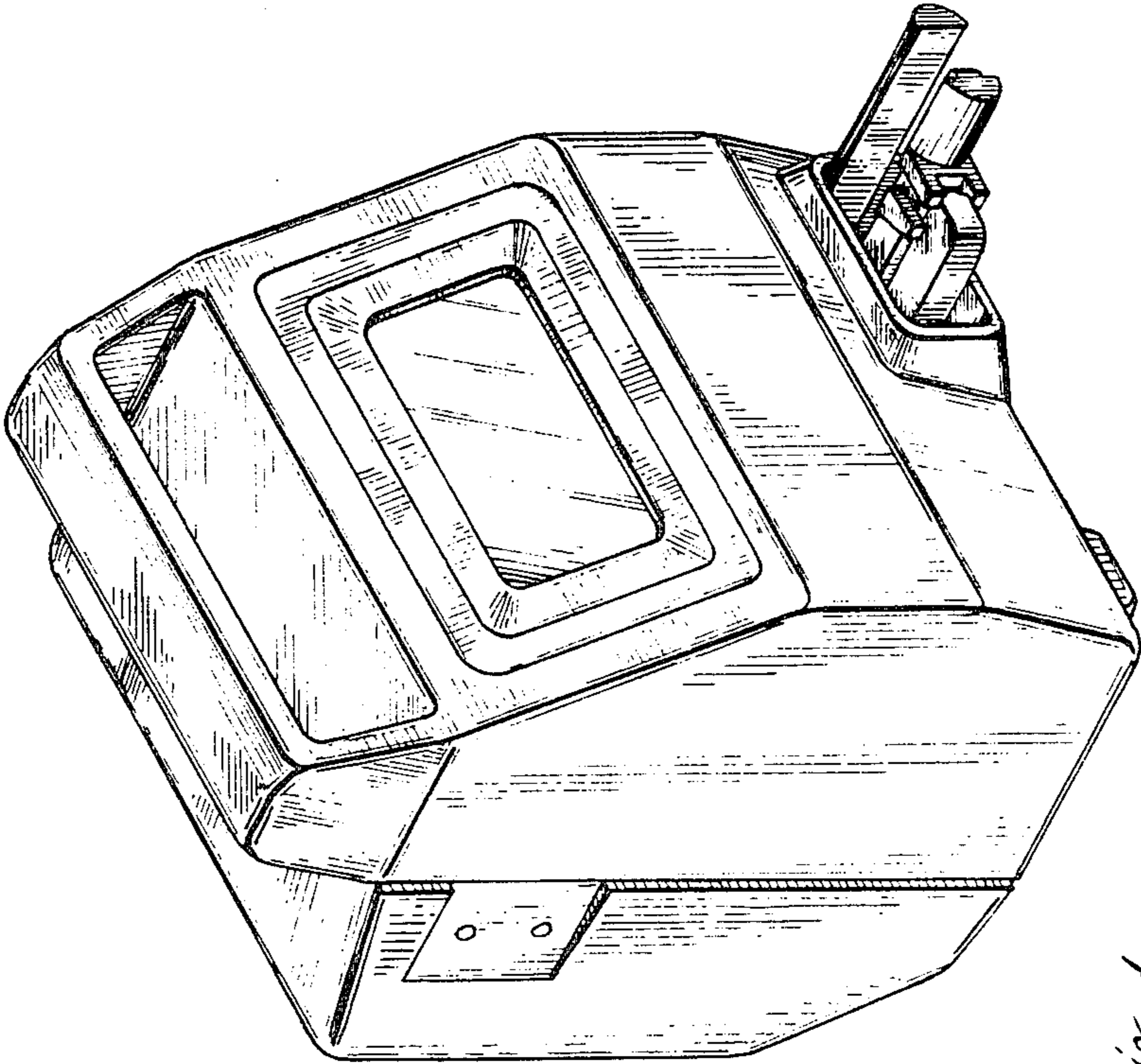
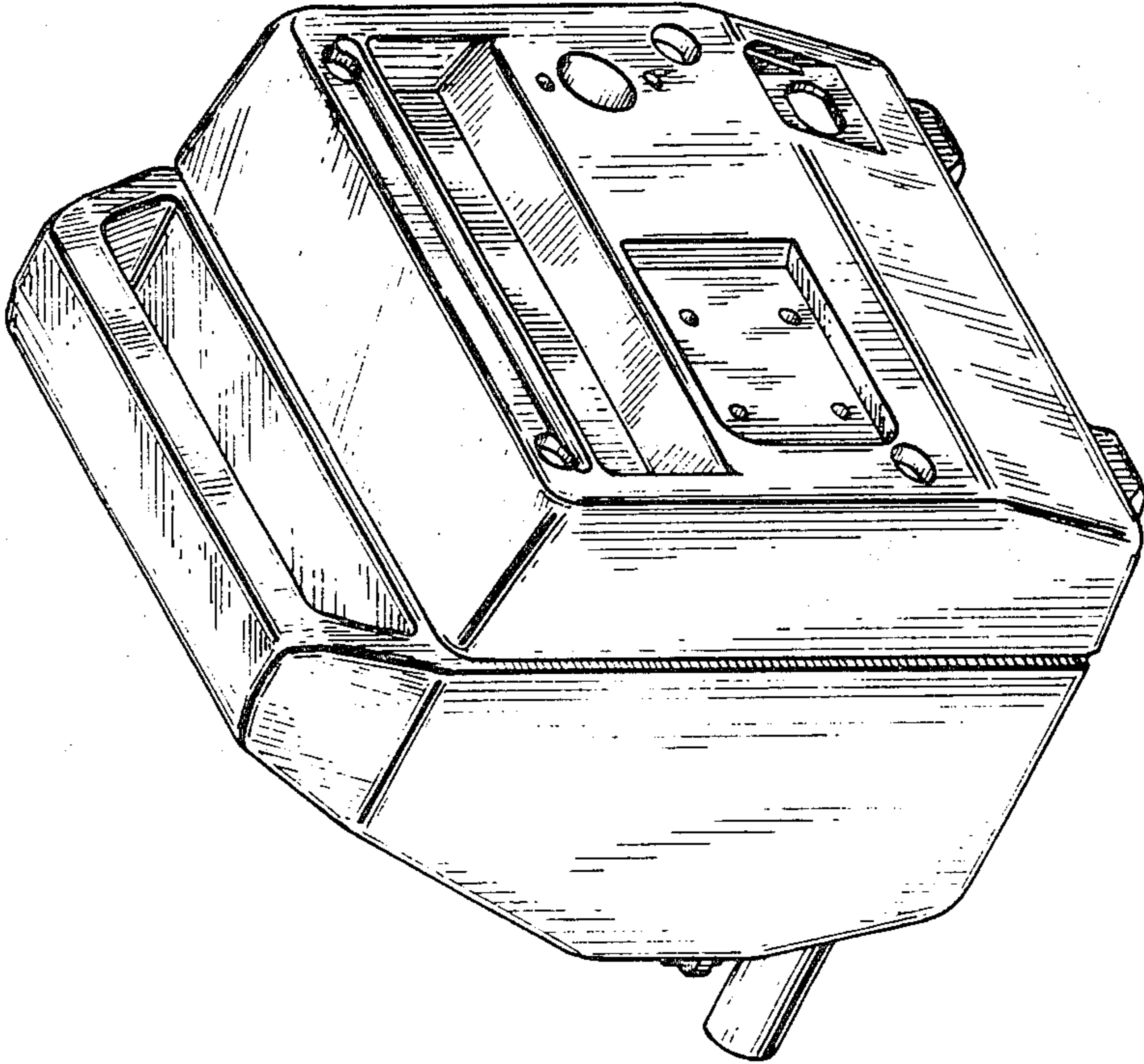


Fig. 1.

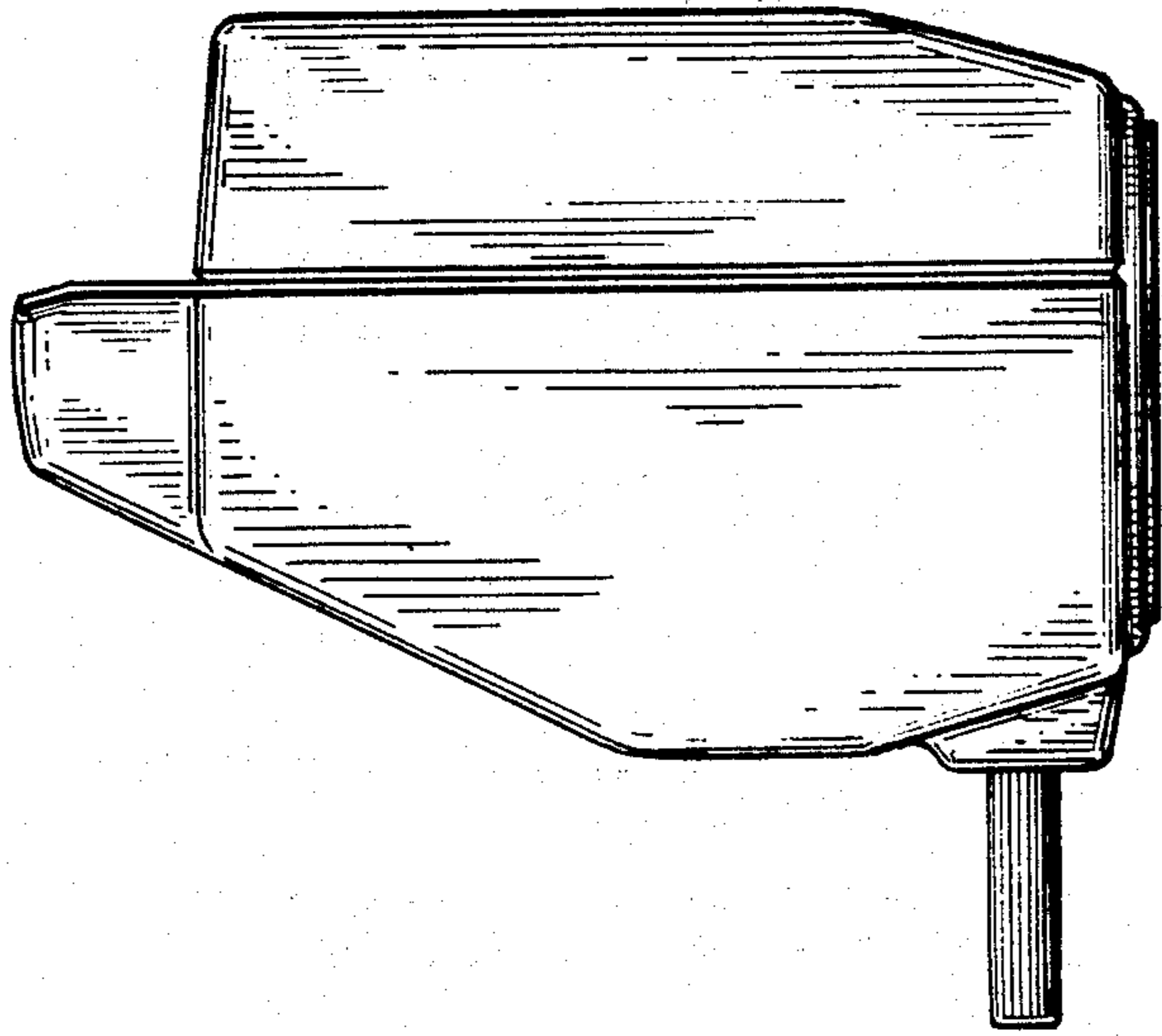


Fig. 5.

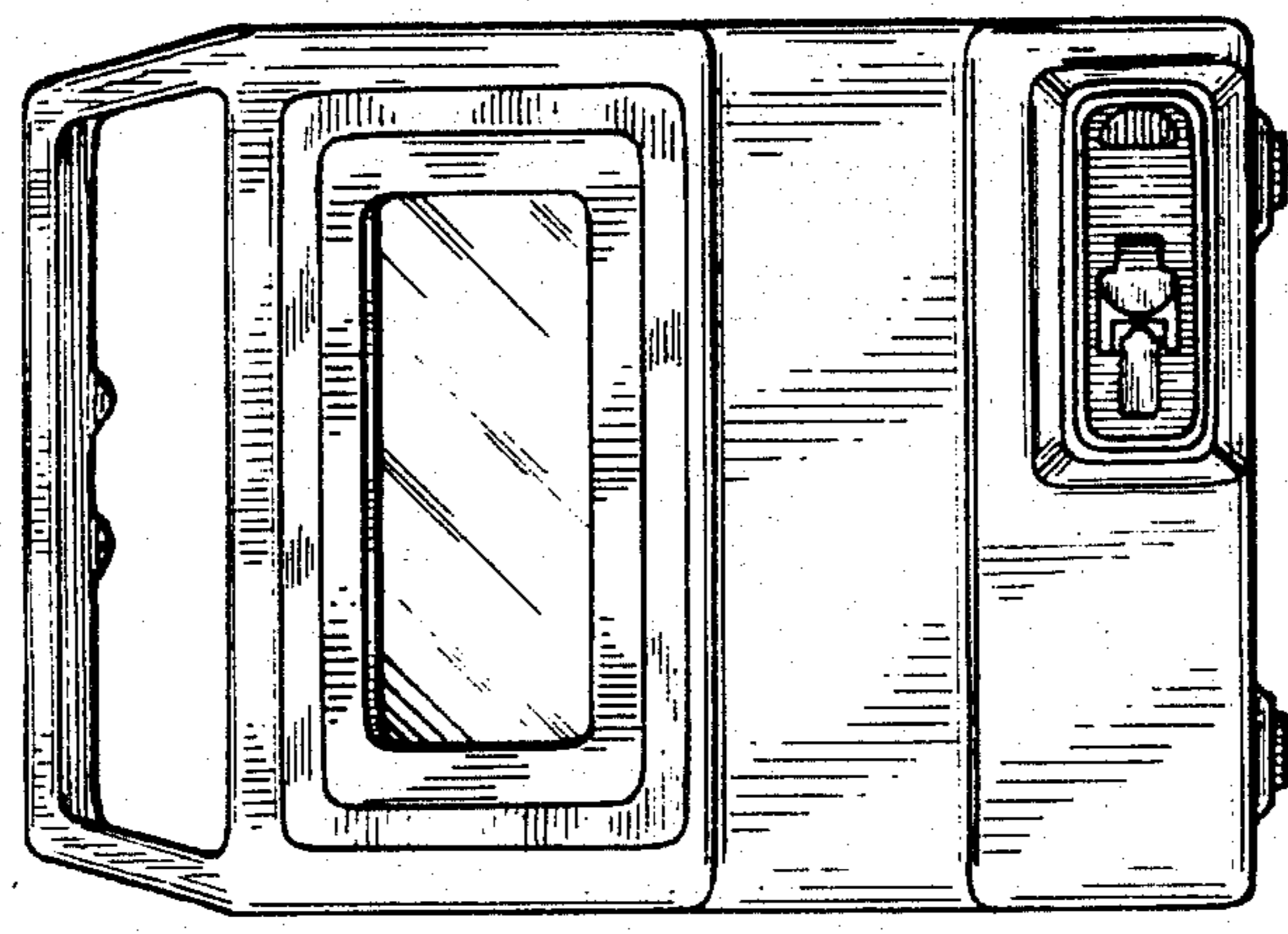


Fig. 4.

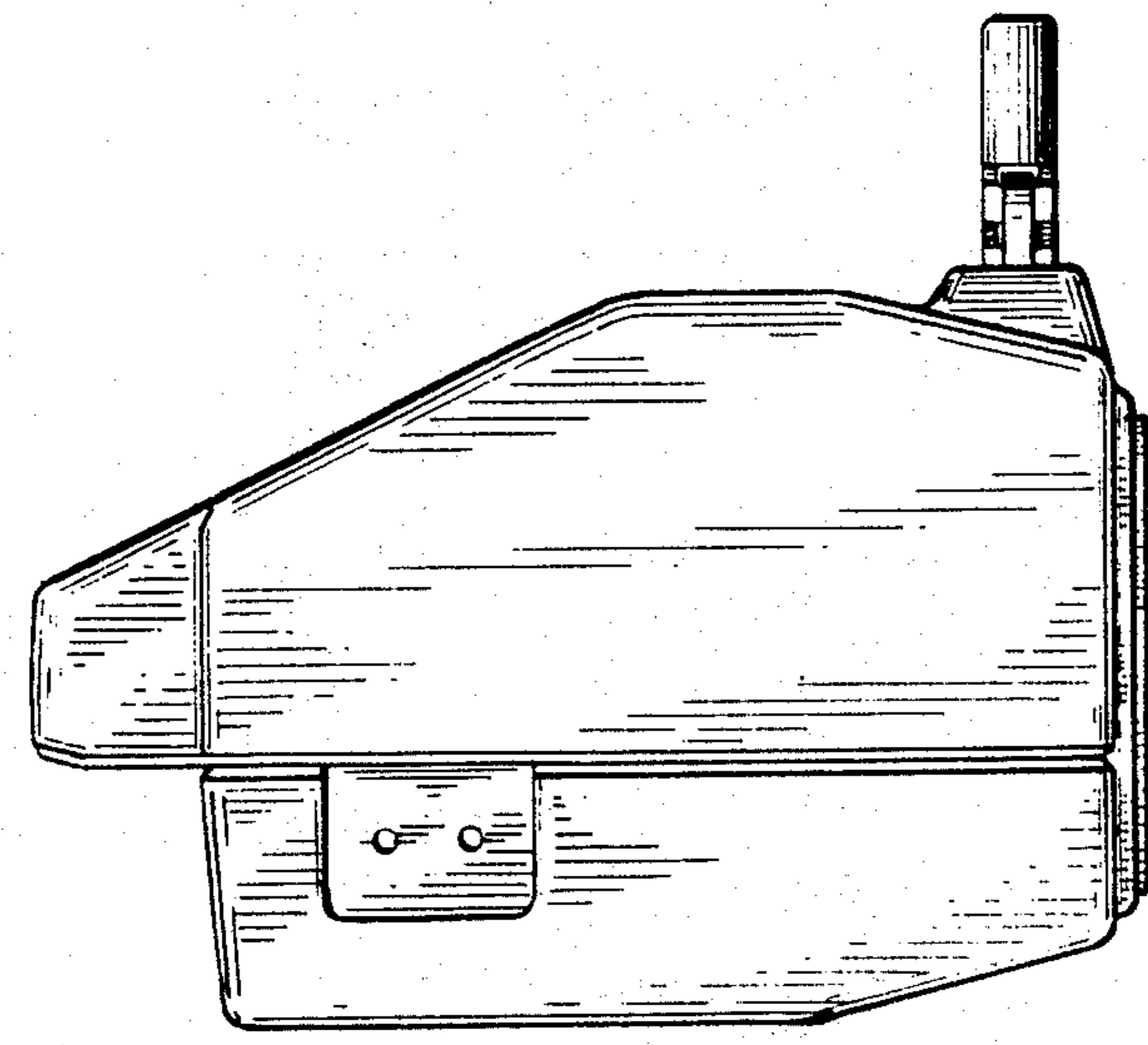


Fig. 3.

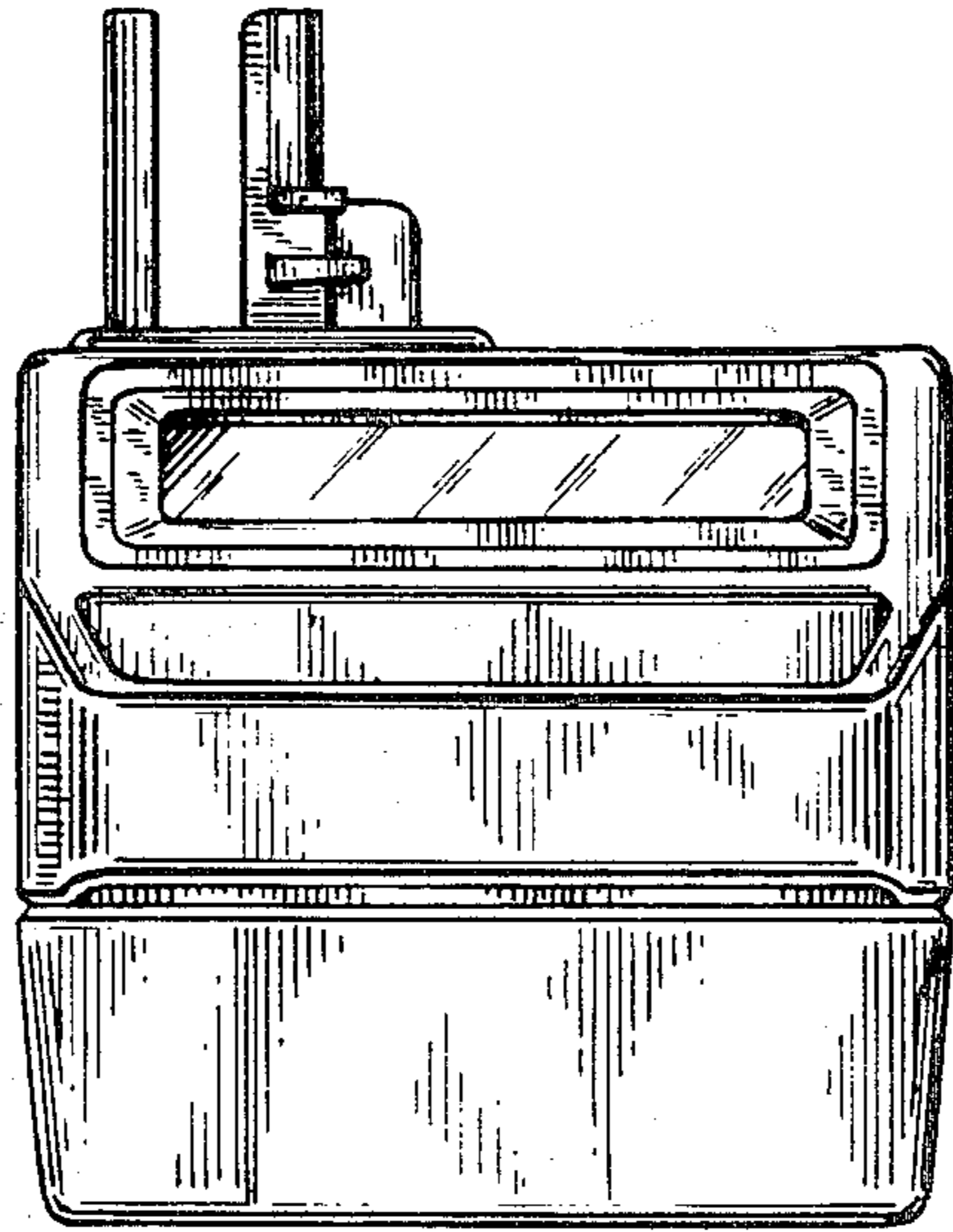


Fig. 6.

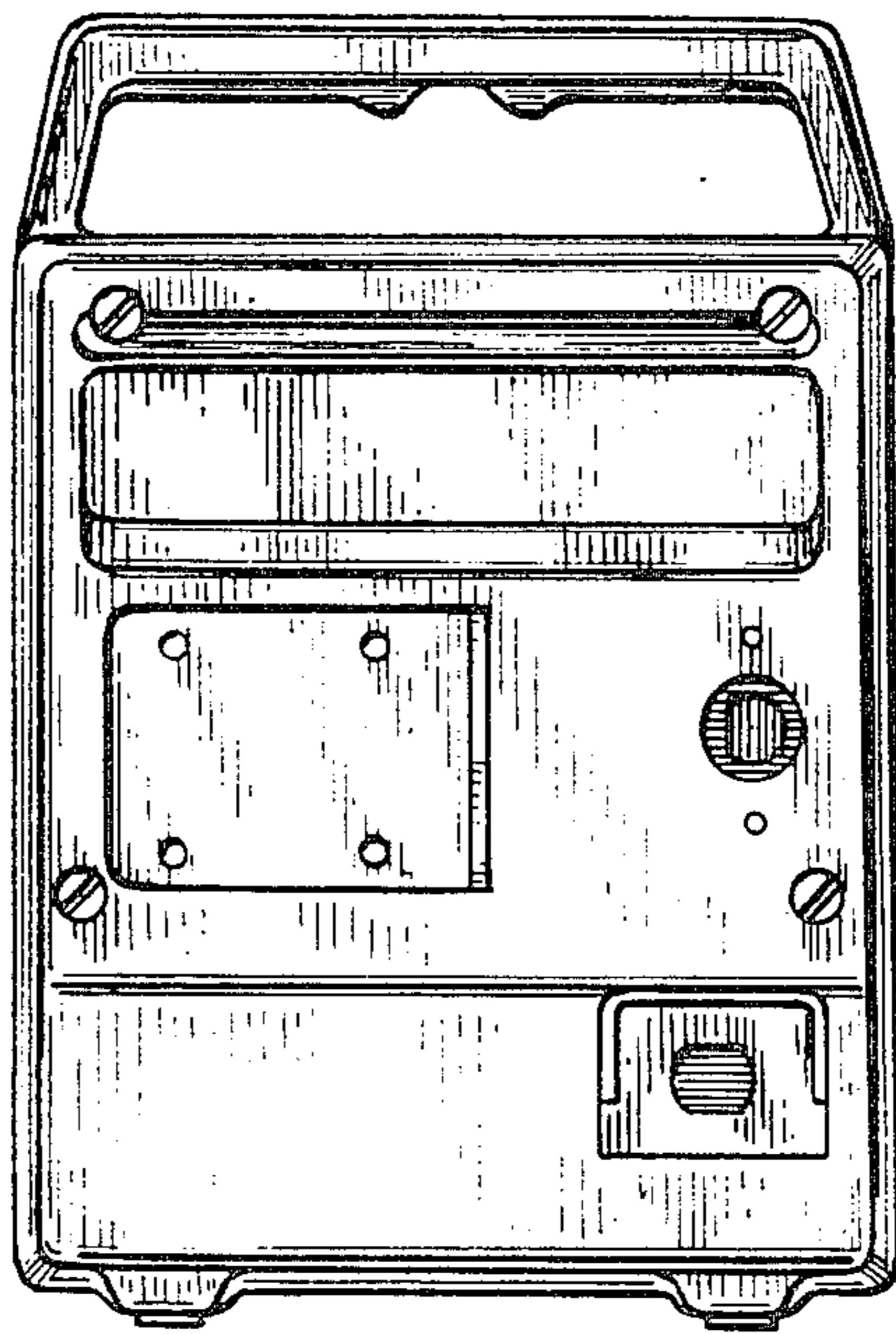


Fig. 7.

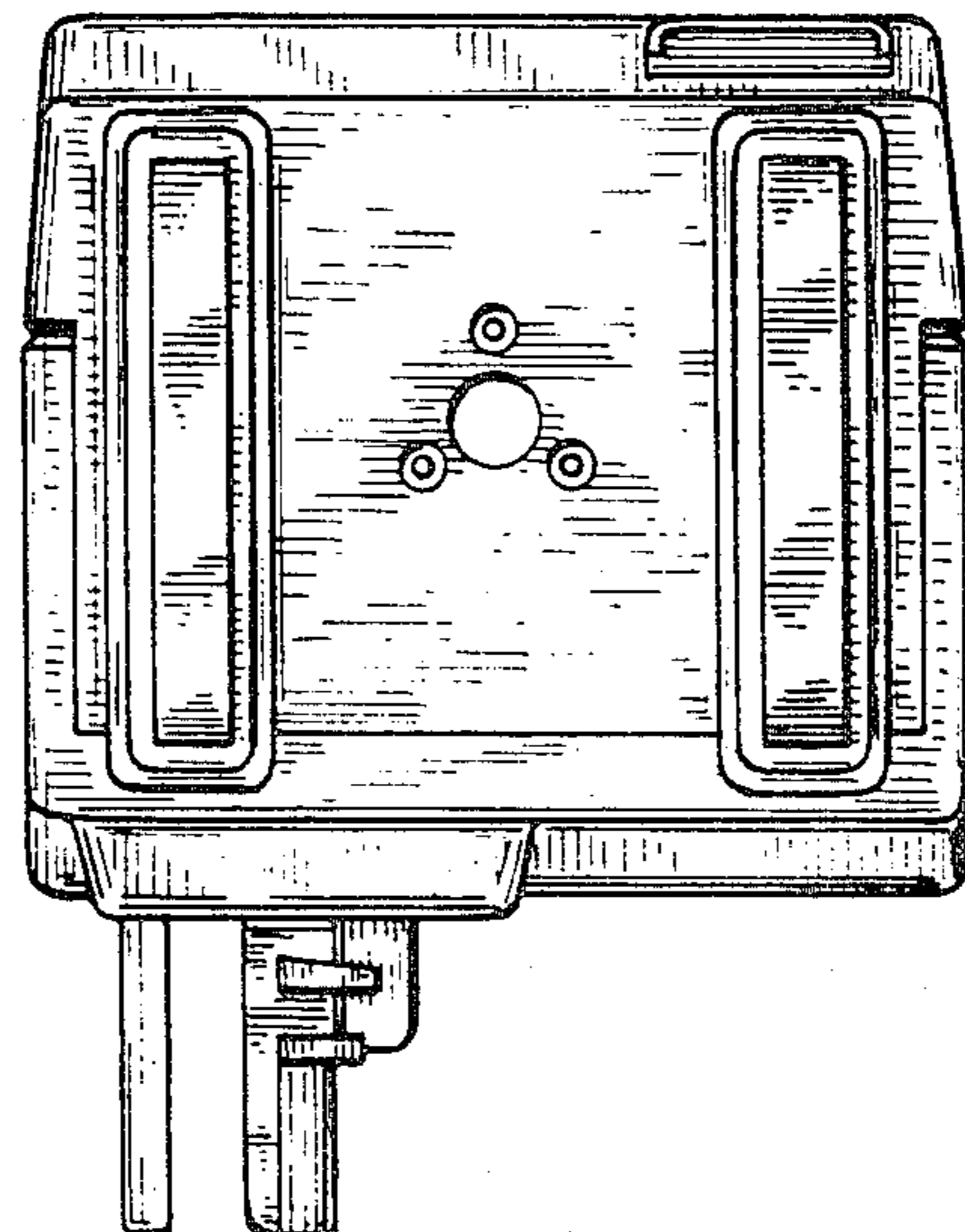


Fig. 8.