

# United States Patent [19]

Arnold et al.

[11] Patent Number: **Des. 277,599**

[45] Date of Patent: **\*\* Feb. 12, 1985**

[54] **VACUUM BREAKER ASSEMBLY FOR BIDET**

[75] Inventors: **Don C. Arnold, Buffalo Grove, Ill.;  
Thomas J. Wilcox, East Troy, Wis.**

[73] Assignee: **Indiana Brass, Inc., Frankfort, Ind.**

[\*\*] Term: **14 Years**

[21] Appl. No.: **379,271**

[22] Filed: **May 17, 1982**

[52] U.S. Cl. .... **D23/69; D23/51**

[58] Field of Search ..... **D23/51; 4/448, 420.1,  
4/420.4**

[56] **References Cited**

**U.S. PATENT DOCUMENTS**

D. 213,557 3/1969 Pasquale ..... D23/51  
2,605,477 8/1952 Monserrat ..... 4/448

3,015,826 1/1962 Aranas ..... 4/420.4  
4,181,985 1/1980 Rius ..... 4/448  
4,205,402 6/1980 Miller ..... 4/448

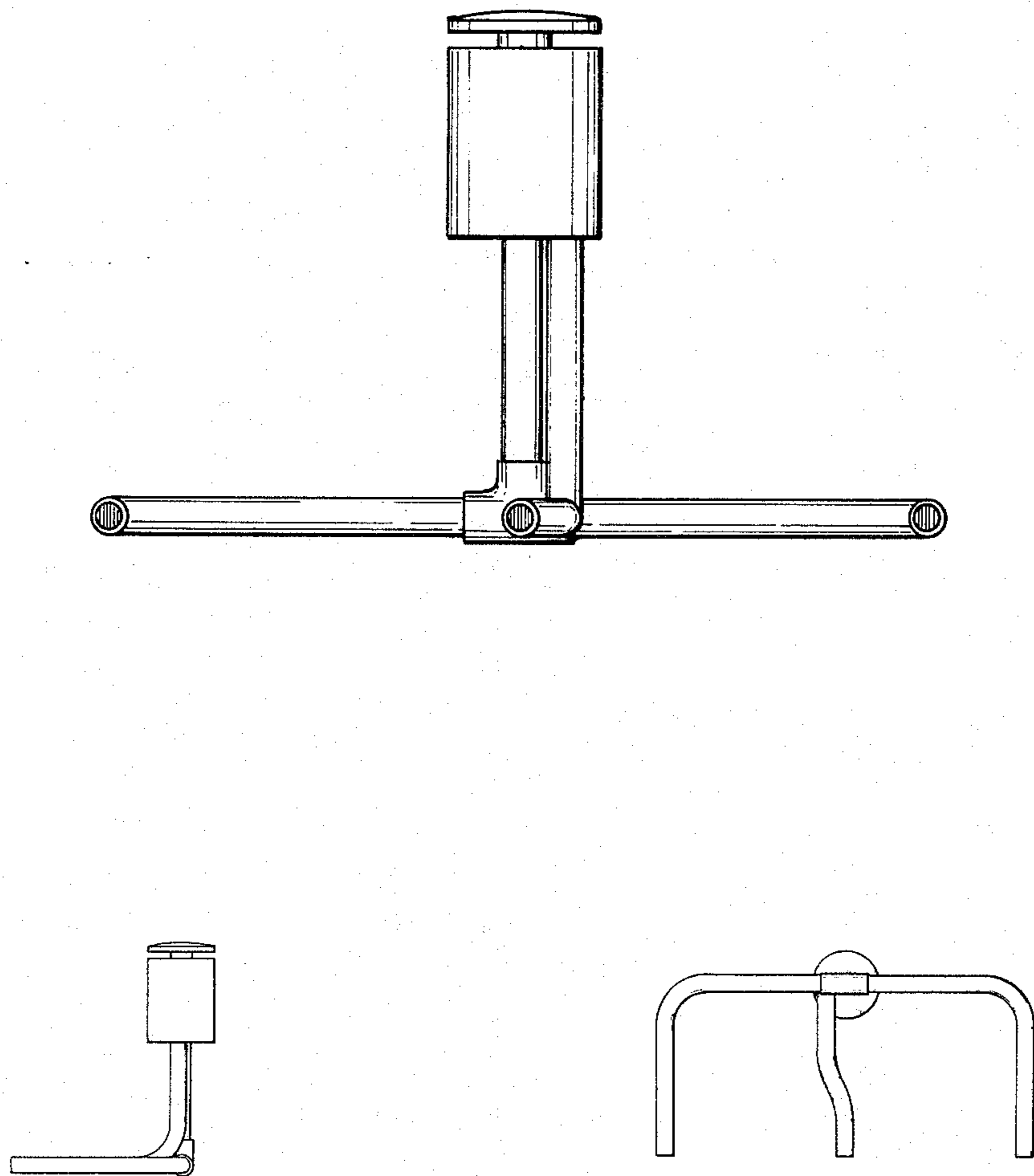
*Primary Examiner*—A. Hugo Word  
*Assistant Examiner*—Lynn Wilder  
*Attorney, Agent, or Firm*—Woodard, Weikart, Emhardt  
& Naughton

[57] **CLAIM**

The ornamental design for a vacuum breaker assembly for bidet, as shown and described.

**DESCRIPTION**

FIG. 1 is a rear elevational view of a vacuum breaker assembly for bidet showing our new design; FIG. 2 is a top plan view thereof; FIG. 3 is a front elevational view thereof; FIG. 4 is a left side elevational view thereof; FIG. 5 is a bottom plan view thereof; and FIG. 6 is a right side elevational view thereof.



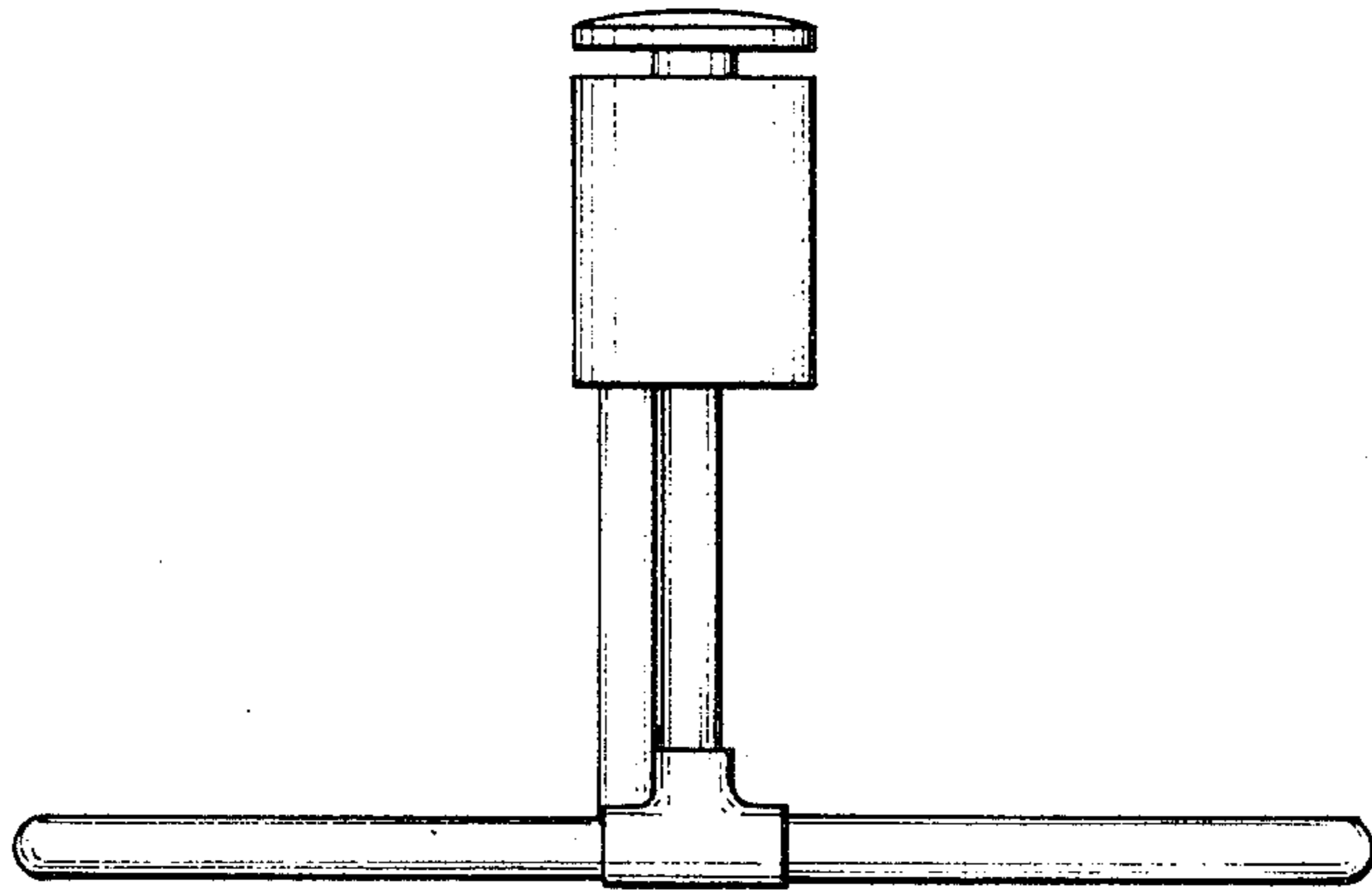


Fig. 1

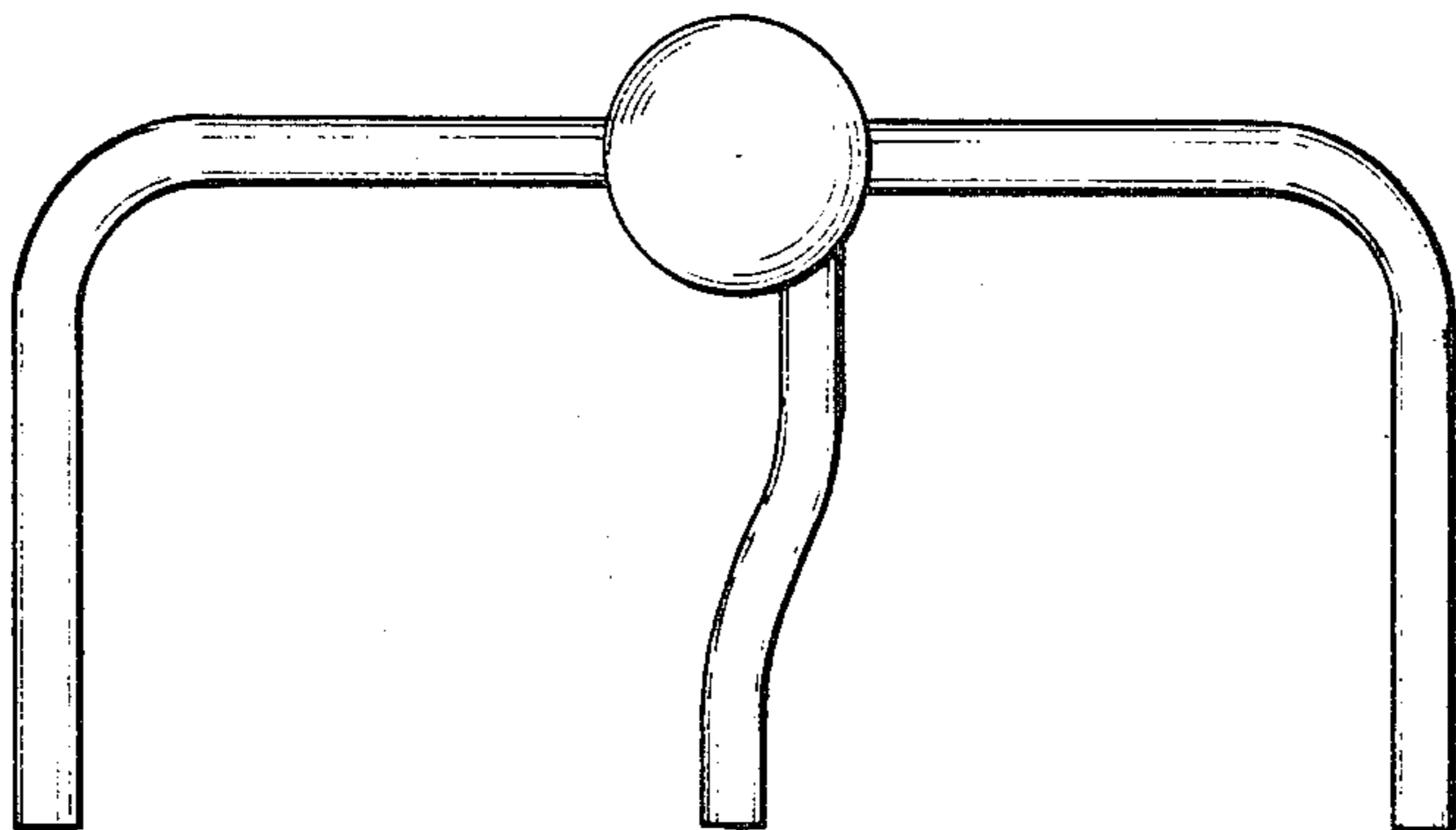


Fig. 2

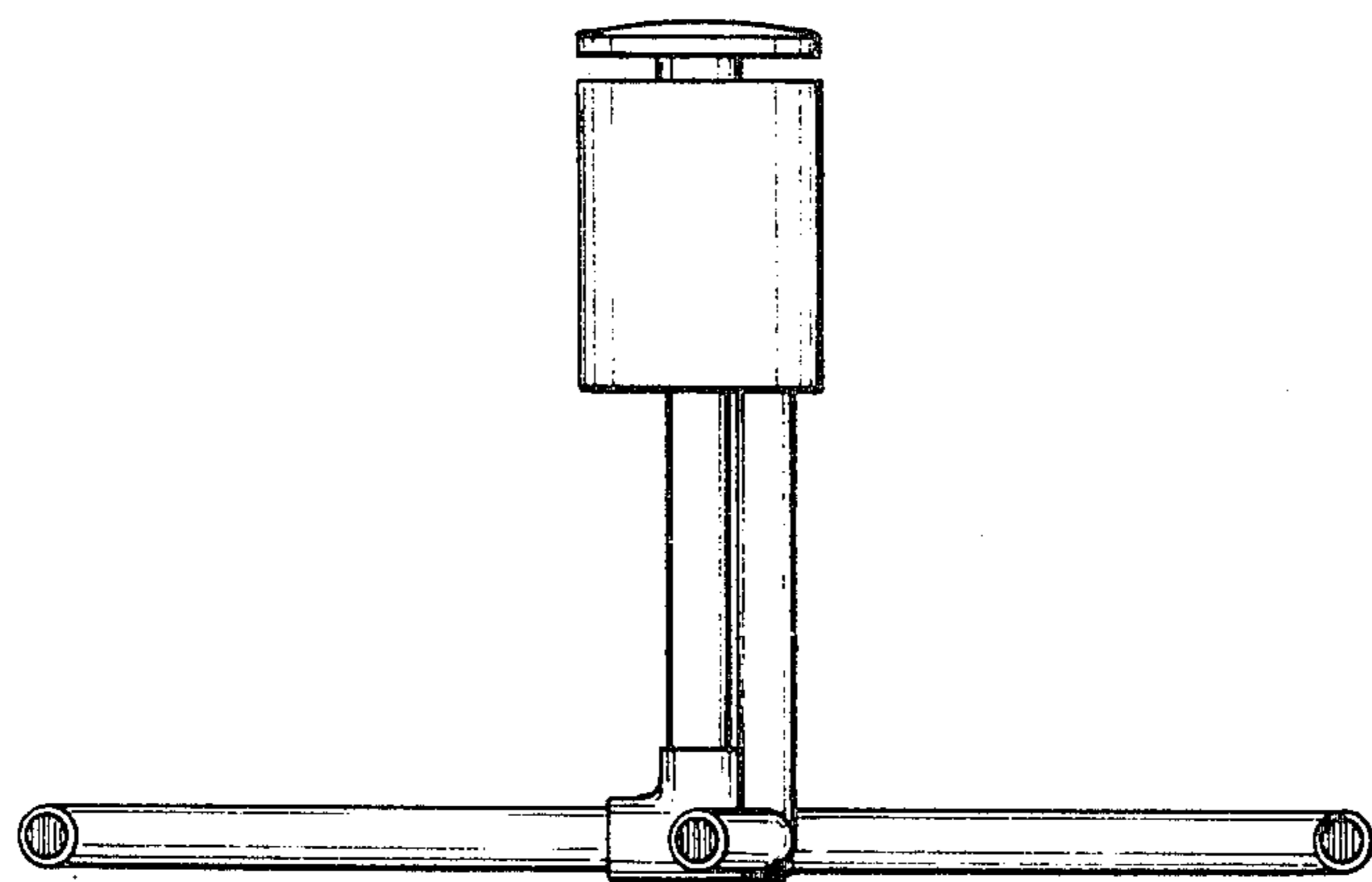


Fig. 3

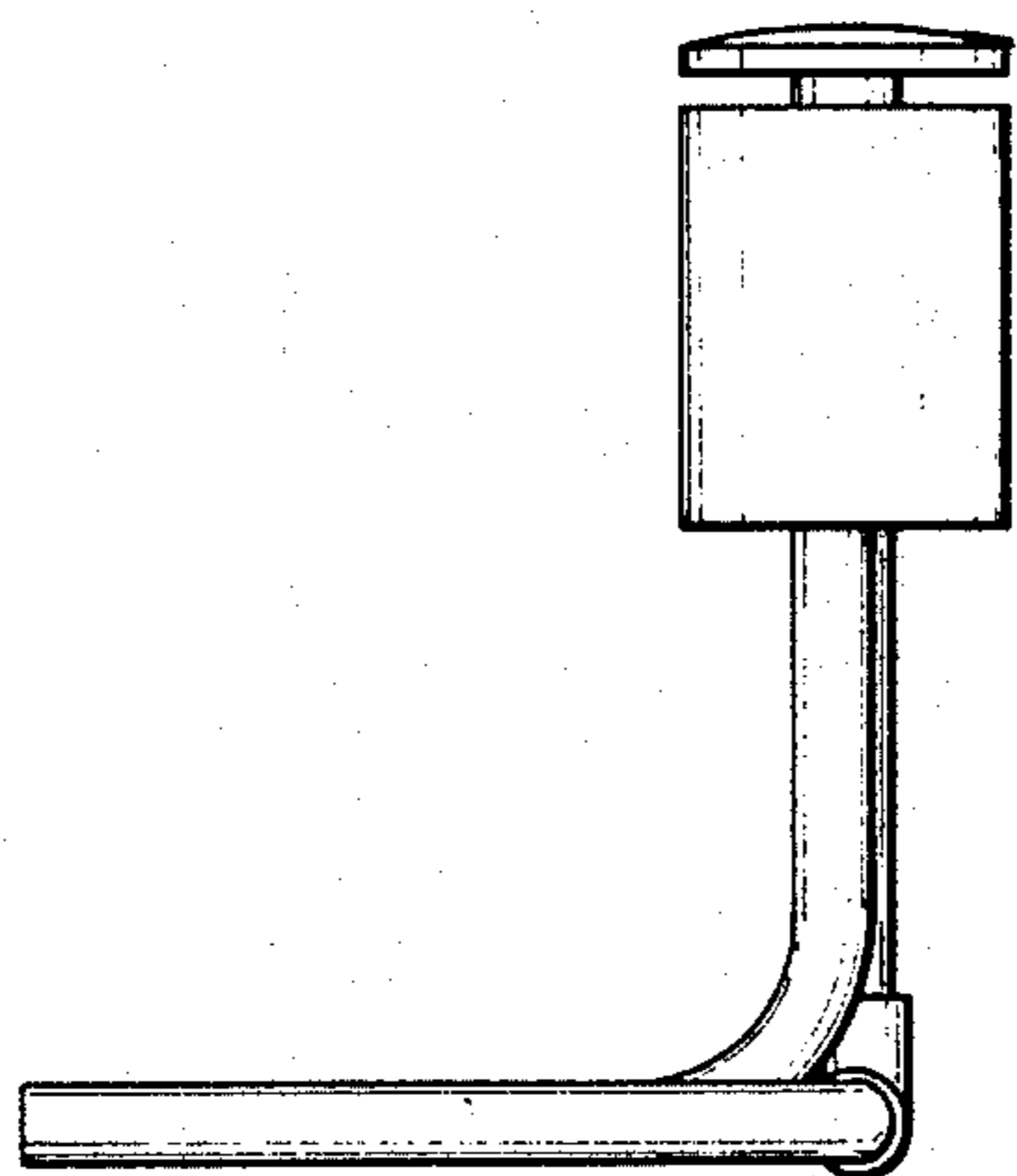


Fig. 4

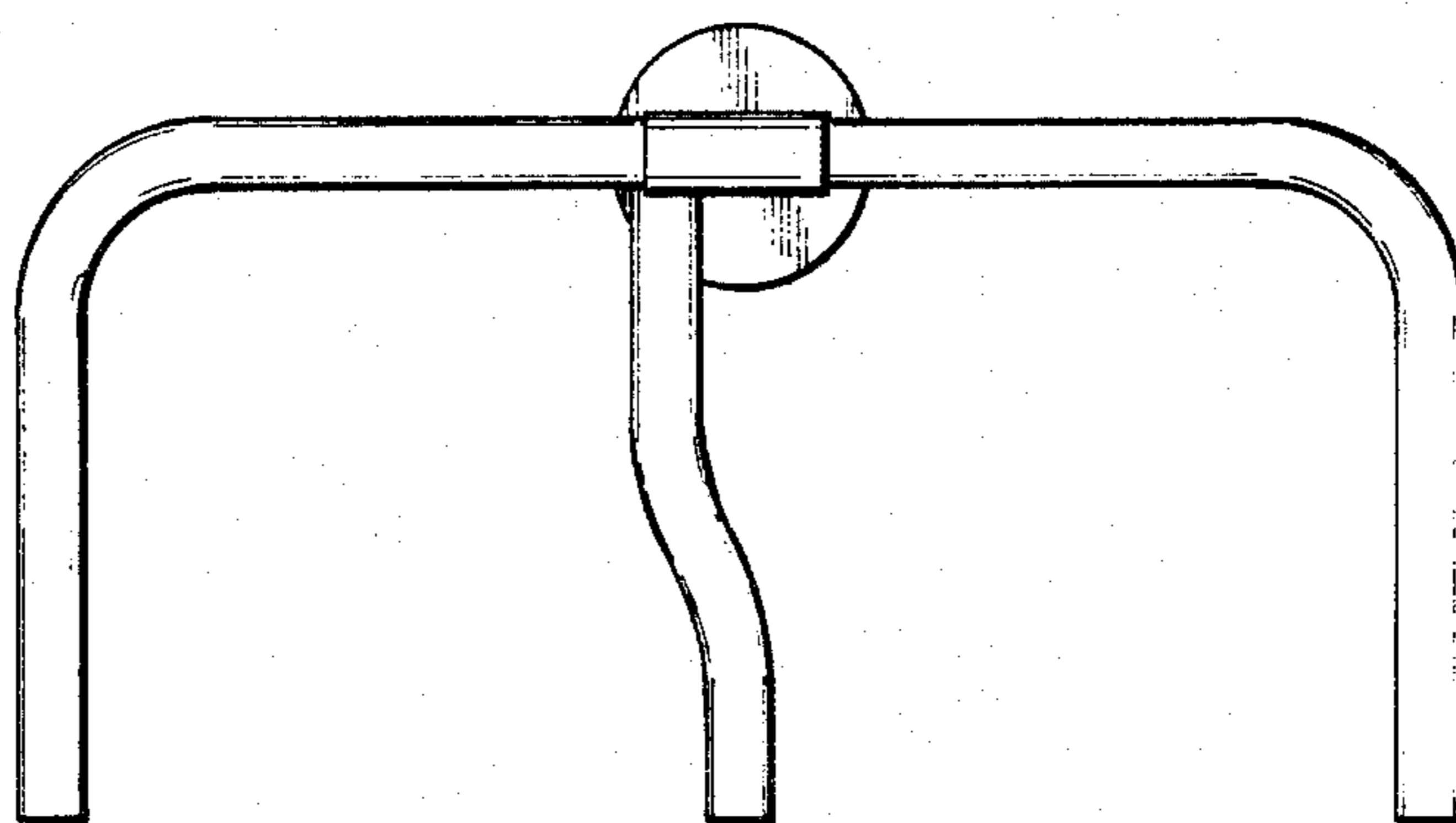


Fig. 5

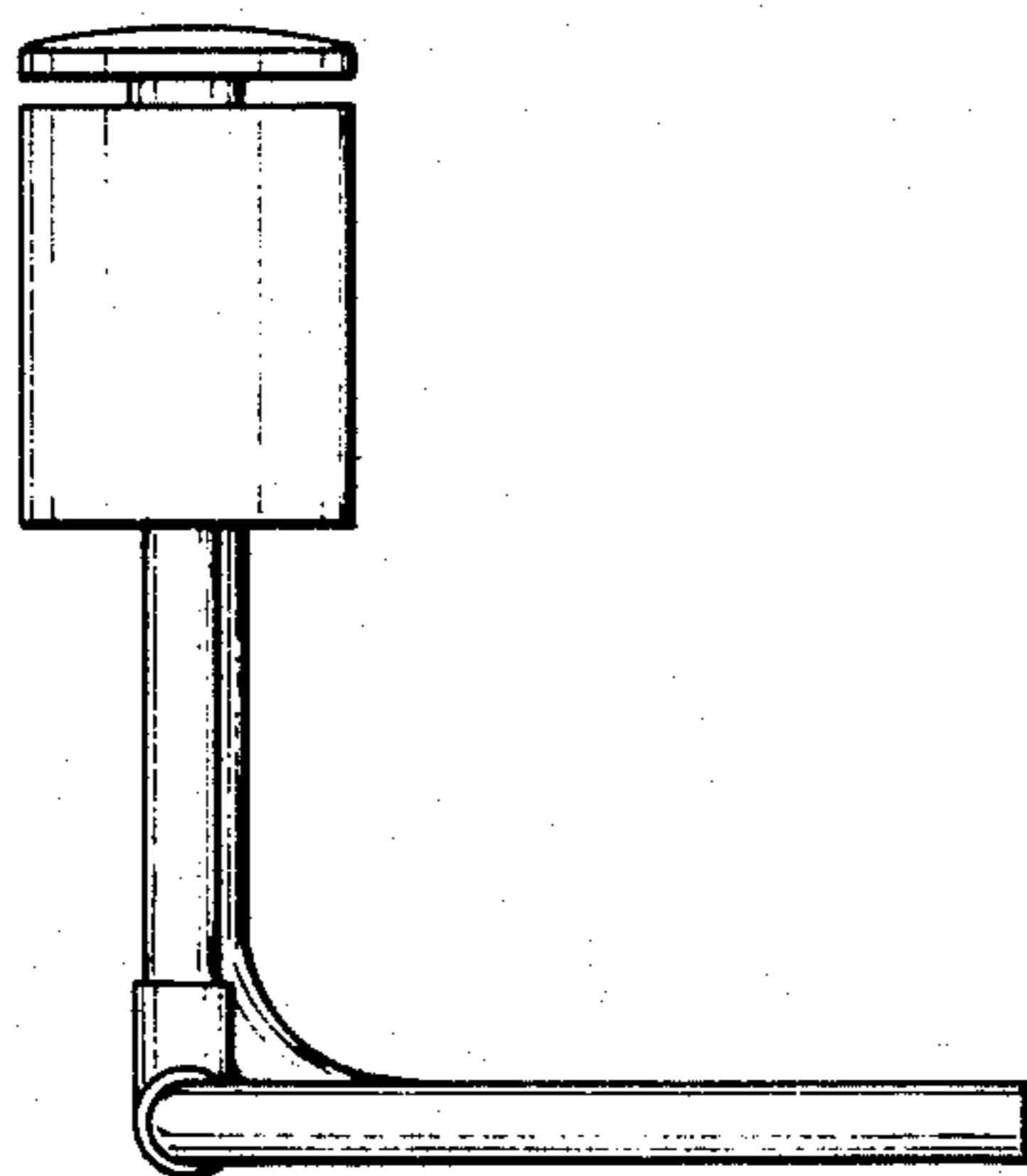


Fig. 6