

**United States Patent** [19]

**Marusak**

[11] **Patent Number: Des. 277,598**

[45] **Date of Patent: \*\* Feb. 12, 1985**

[54] **FISH HOOK HOLDER**

[76] **Inventor: Stephen A. Marusak, 537 E. Oak Ridge Ave., New Port Richey, Fla. 33552**

[\*\*] **Term: 14 Years**

[21] **Appl. No.: 431,842**

[22] **Filed: Sep. 30, 1982**

[52] **U.S. Cl. .... D22/22**

[58] **Field of Search ..... 43/57.1; D22/14, 22, D22/23; D3/38**

[56] **References Cited**

**U.S. PATENT DOCUMENTS**

D. 219,973	2/1971	Sather .....	D22/23
2,371,517	3/1945	Groulx .....	43/57.1
2,849,825	9/1958	Reisner .....	43/57.1 X
4,015,361	4/1977	O'Reilly et al. ....	43/57.1 X

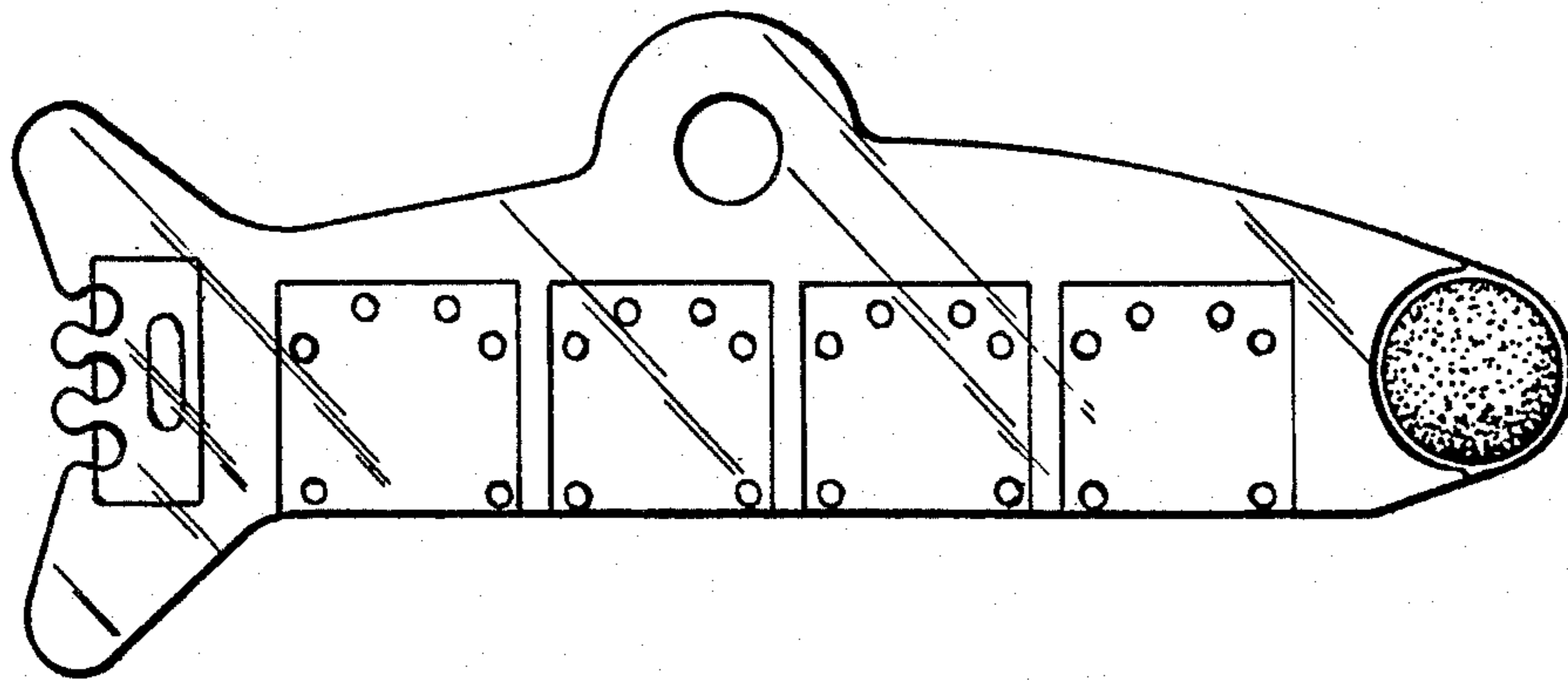
*Primary Examiner*—A. Hugo Word  
*Attorney, Agent, or Firm*—F. Brice Faller

[57] **CLAIM**

The ornamental design for a fish hook holder, as shown.

**DESCRIPTION**

FIG. 1 is a side view of the fish hook holder;  
FIG. 2 is a view of the rear end of the fish hook holder;  
FIG. 3 is a view of the front of the fish hook holder;  
FIG. 4 is a bottom view of the fish hook holder.



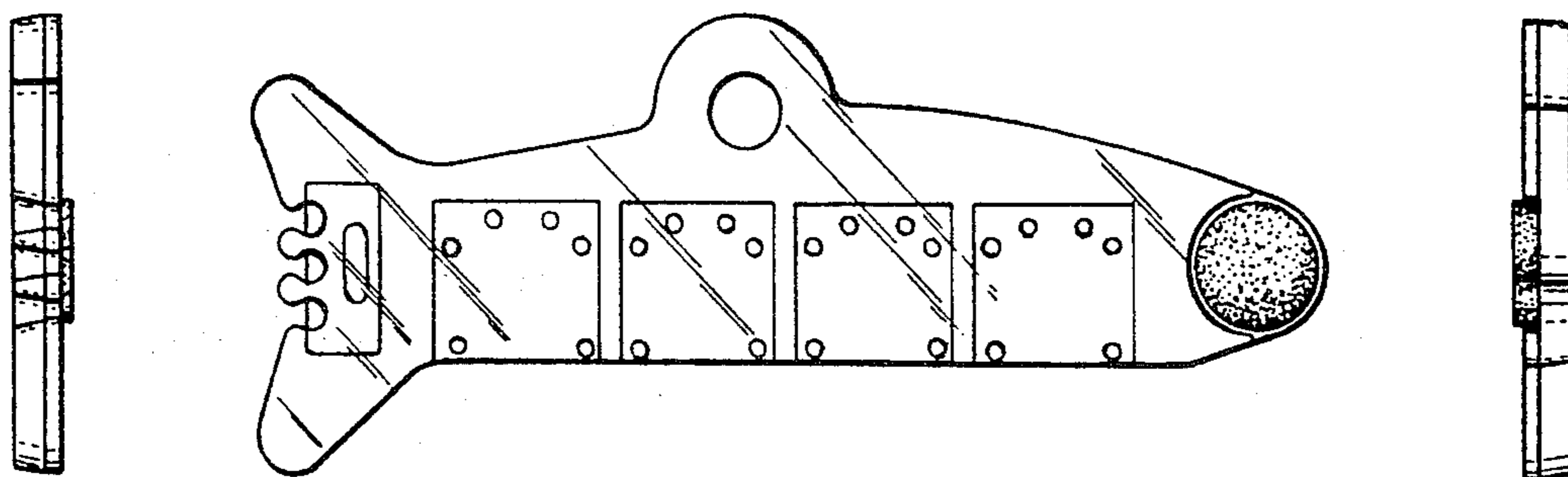


Fig. 2

Fig. 1

Fig. 3



Fig. 4