

[54] **AMMUNITION PROJECTILE TO BE USED FOR TRAINING PURPOSES**

[75] **Inventors: Torsten Wik; Christer Lagerstam; Kurt Pettersson, all of Karlskoga, Sweden; Kjell Mattsson, San Leandro, Calif.**

[73] **Assignee: Aktiebolaget Bofors, Bofors, Sweden**

[**] **Term: 14 Years**

[21] **Appl. No.: 359,623**

[22] **Filed: Mar. 18, 1982**

[52] **U.S. Cl. D22/10**

[58] **Field of Search 102/395, 498, 525; D22/10**

[56] **References Cited**

U.S. PATENT DOCUMENTS

3,379,131	4/1968	Webb	102/395
3,718,093	2/1973	Milanowski et al.	102/395 X
4,008,665	2/1977	Gawlick et al.	102/529 X
4,112,843	9/1978	Laviolette	102/395
4,140,061	2/1979	Campoli	102/529

Primary Examiner—A. Hugo Word
Attorney, Agent, or Firm—Pollock, Vande Sande & Priddy

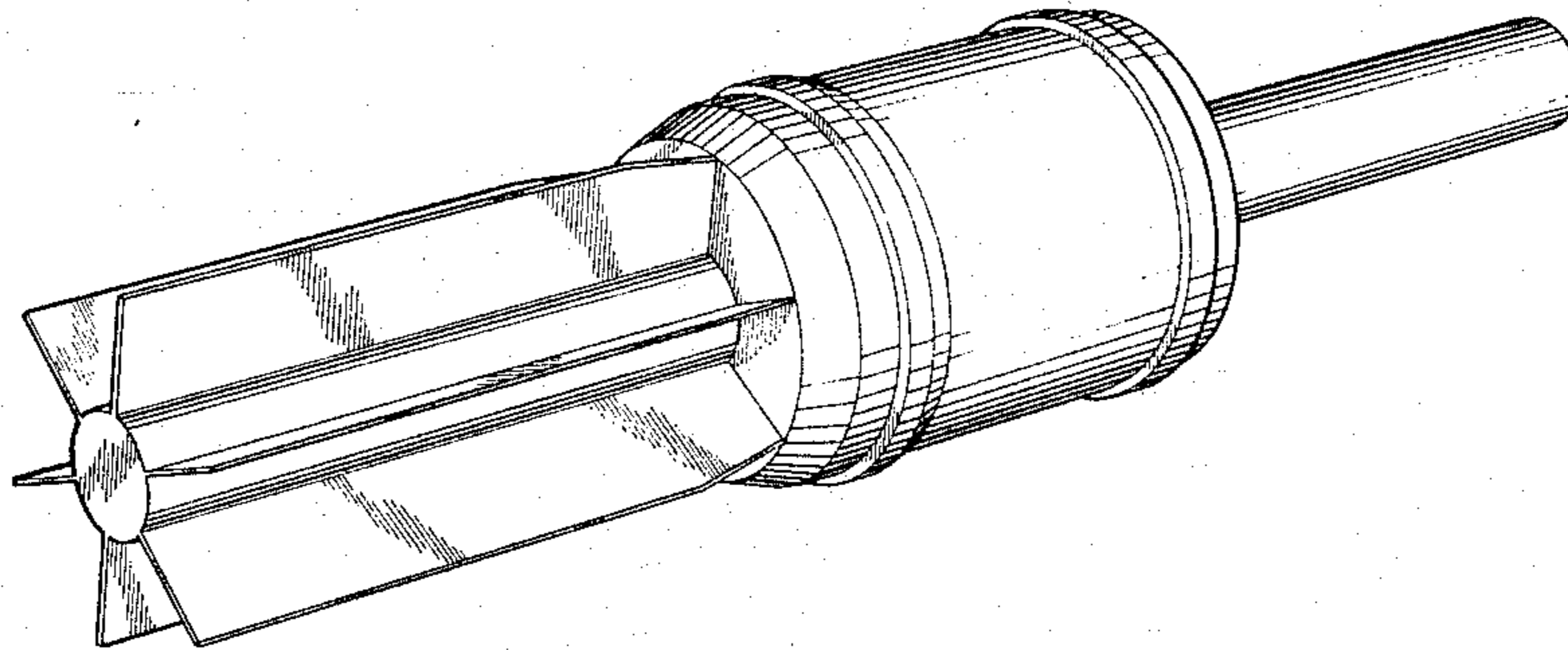
[57] **CLAIM**

The ornamental design for an ammunition projectile to be used for training purposes, as shown and described.

DESCRIPTION

FIG. 1 is an oblique, perspective view from the rear end of an ammunition projectile embodying our new design; and

FIG. 2 is an oblique, perspective view from the front end of said ammunition projectile.



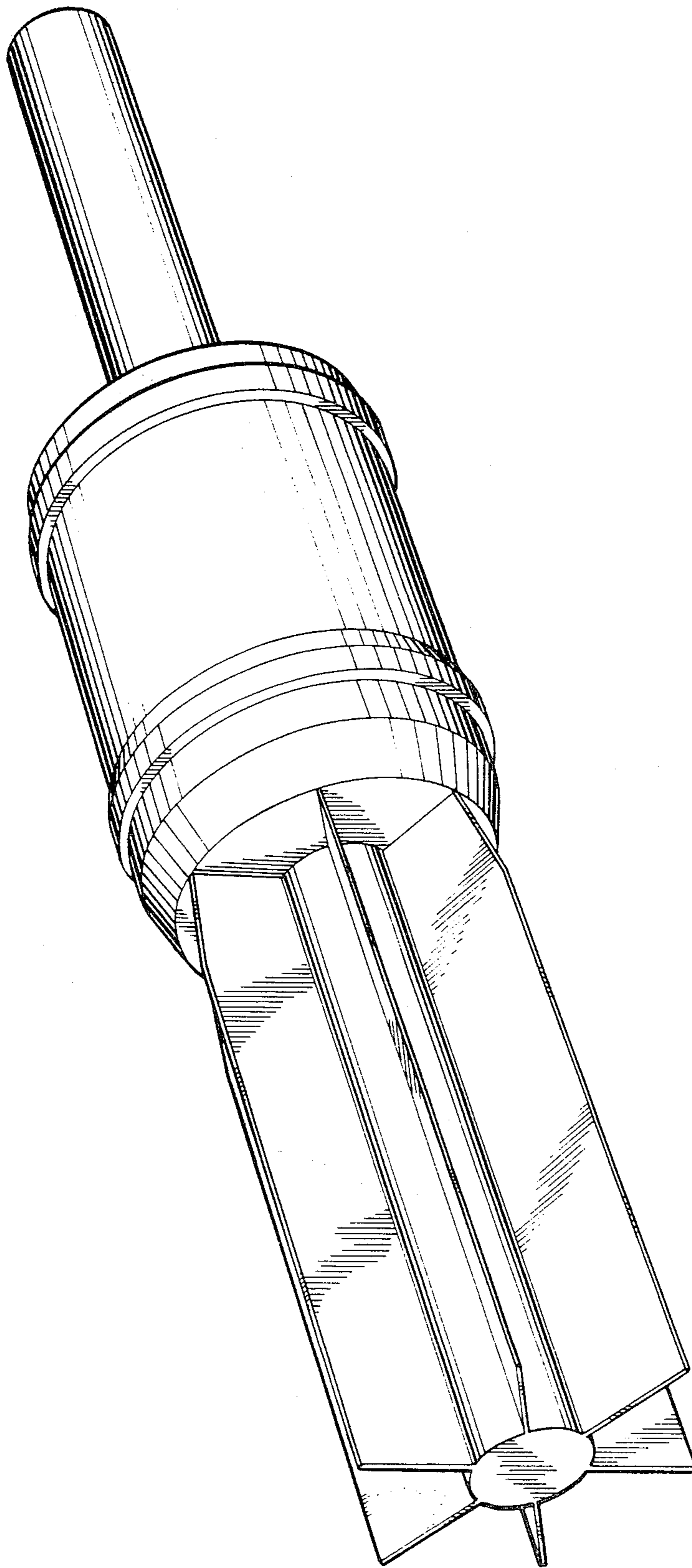


FIG. 1

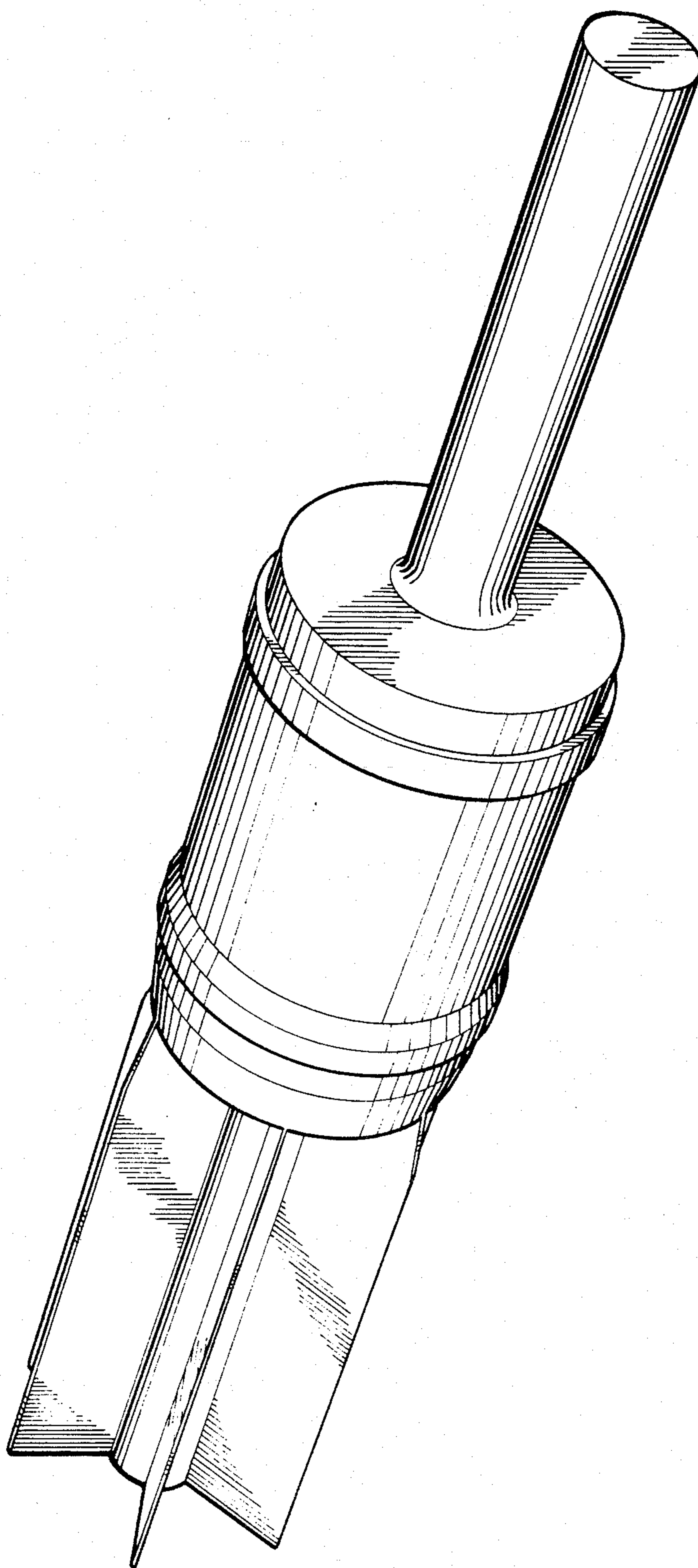


FIG. 2