

[54] PHYSICAL EXERCISER

[76] Inventors: Patrick J. Terrian, 6525 E. Townline Rd., Birch Run, Mich. 48415; Randy T. Terrian, 2247 Bay St., Saginaw, Mich. 48602

[**] Term: 14 Years

[21] Appl. No.: 374,994

[22] Filed: May 5, 1982

[52] U.S. Cl. D21/198

[58] Field of Search D21/191-199, D21/235; 272/93, 99, 109, 67, 68, 119, 125, 133, 136, 143, 144, 145, 141, 142

[56] References Cited

U.S. PATENT DOCUMENTS

3,349,621 10/1967 Mullen 272/141

OTHER PUBLICATIONS

Marcy Gym Equipt. Cat., 1970, p. 10, Item #5000, "Power Press Bar".

Sporting Goods Dealer, 9-1976, p. 217, Item #C, "Crusher" Exerciser.

AMF Whitely Catalog, 1980, p. 23, "GRP Gripper".

Primary Examiner—Charles A. Rademaker

[57] CLAIM

The ornamental design for physical exerciser, as shown and described.

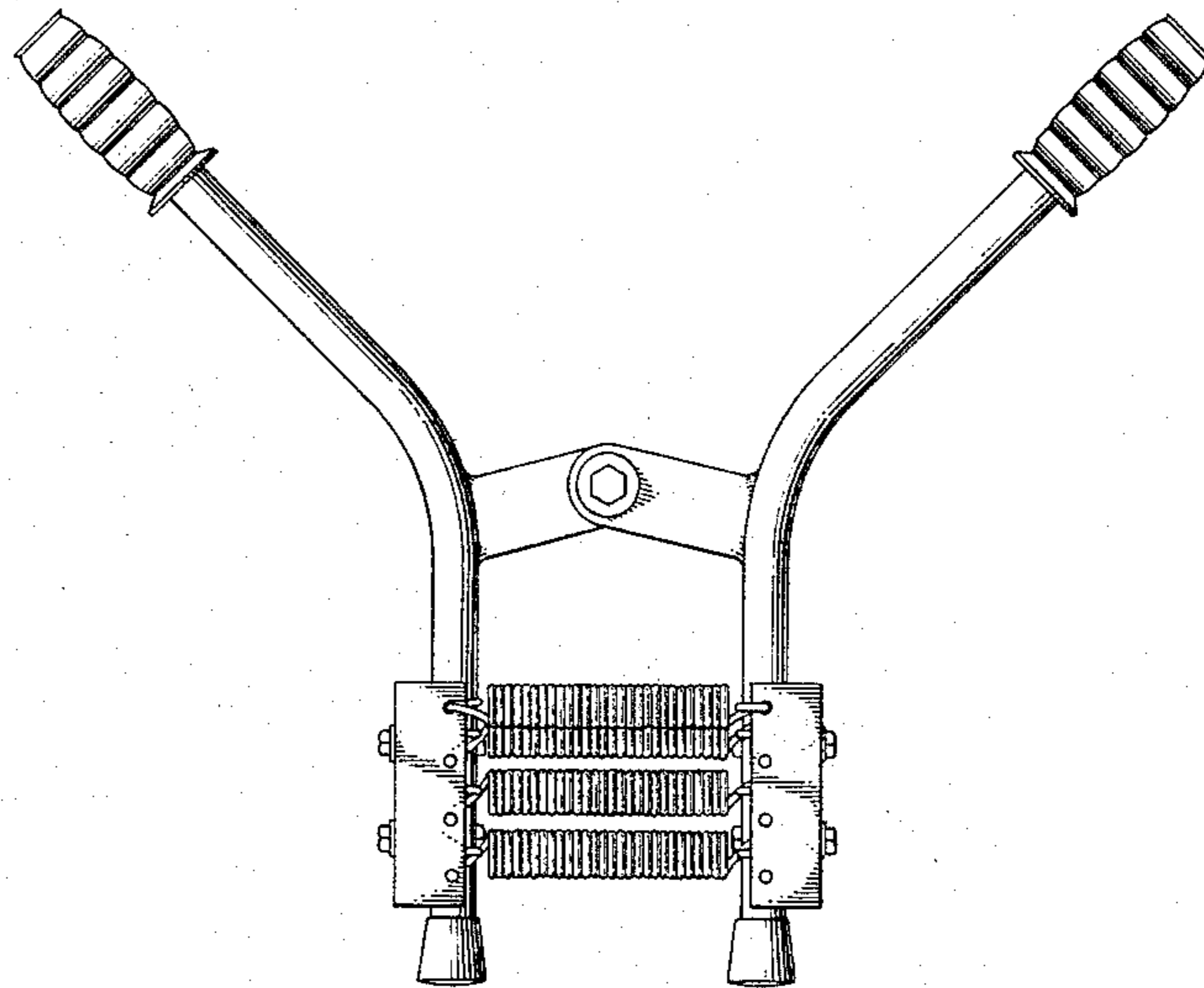
DESCRIPTION

FIG. 1 is a front elevational view of a physical exerciser showing our new design, the side opposite being a mirror image;

FIG. 2 is a side elevational view thereof, the side opposite being substantially a mirror image;

FIG. 3 is a top plan view thereof; and,

FIG. 4 is a bottom plan view thereof.



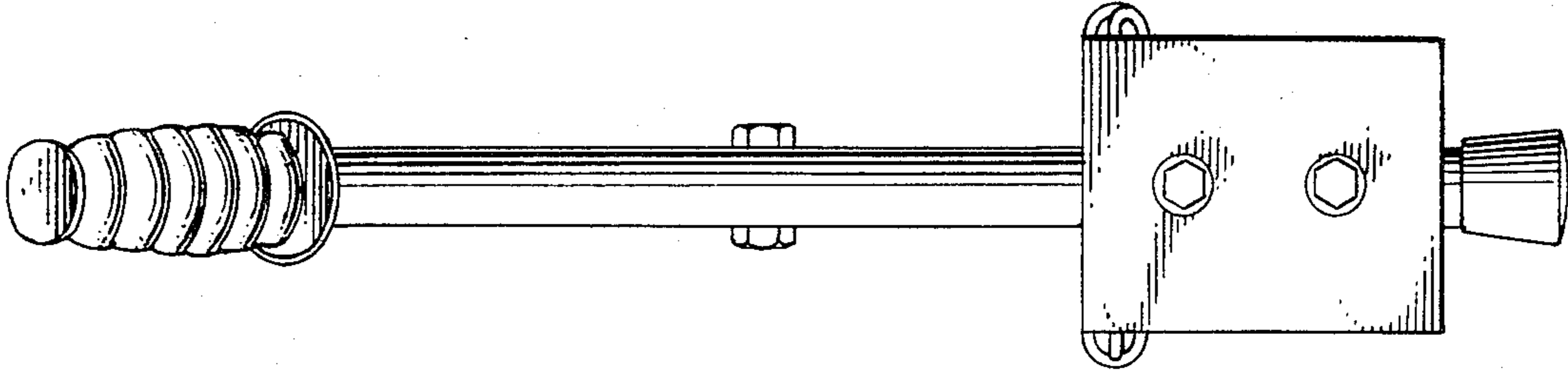


FIG. 2

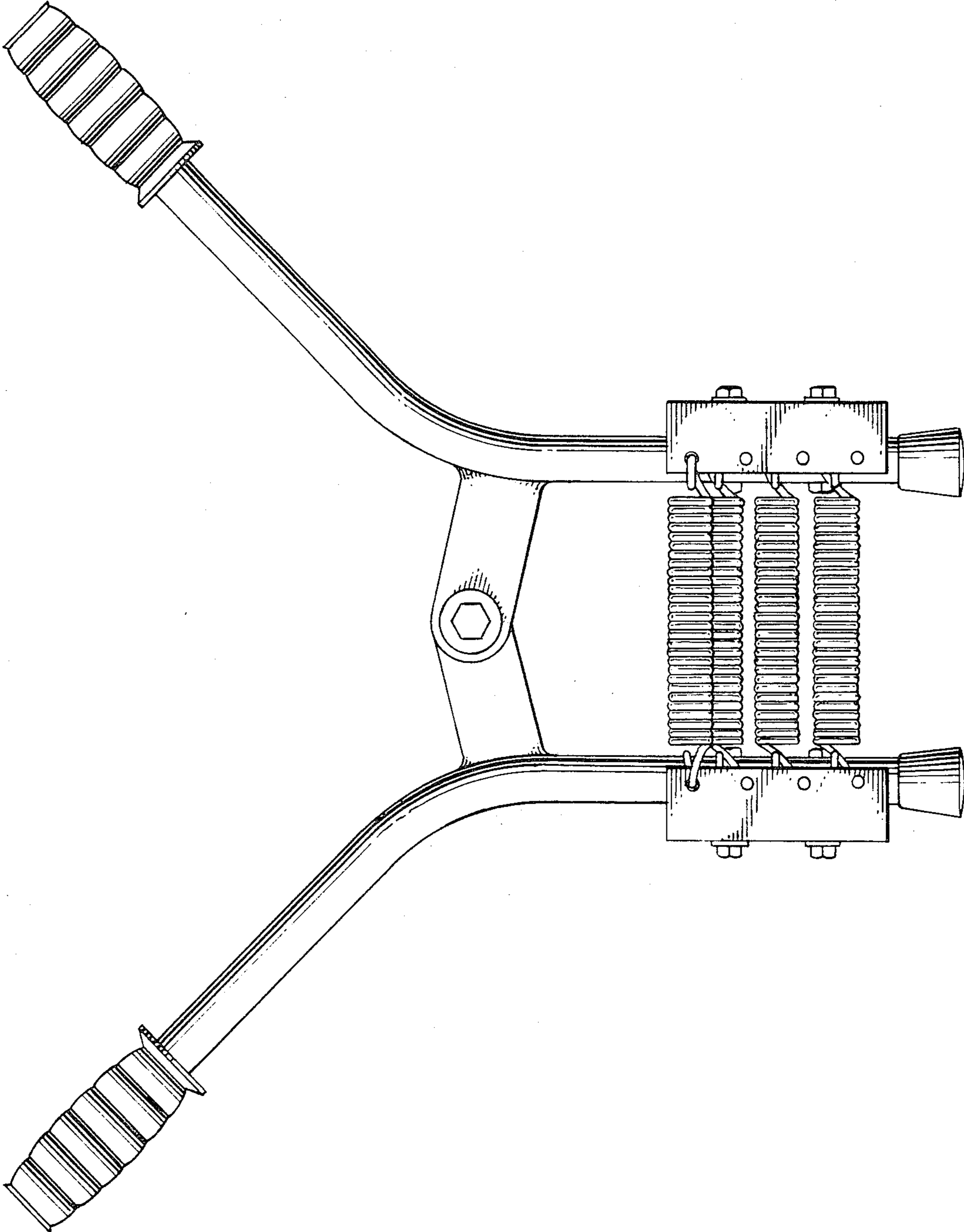


FIG. 1

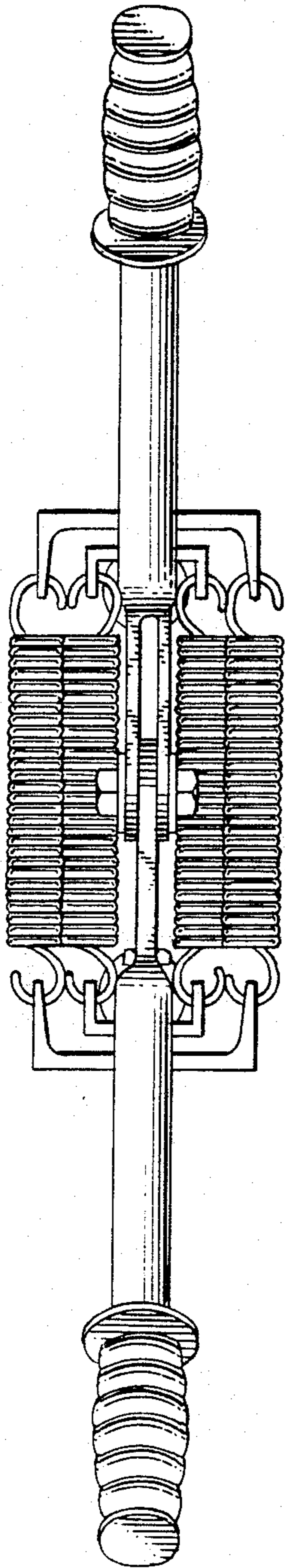


FIG. 3

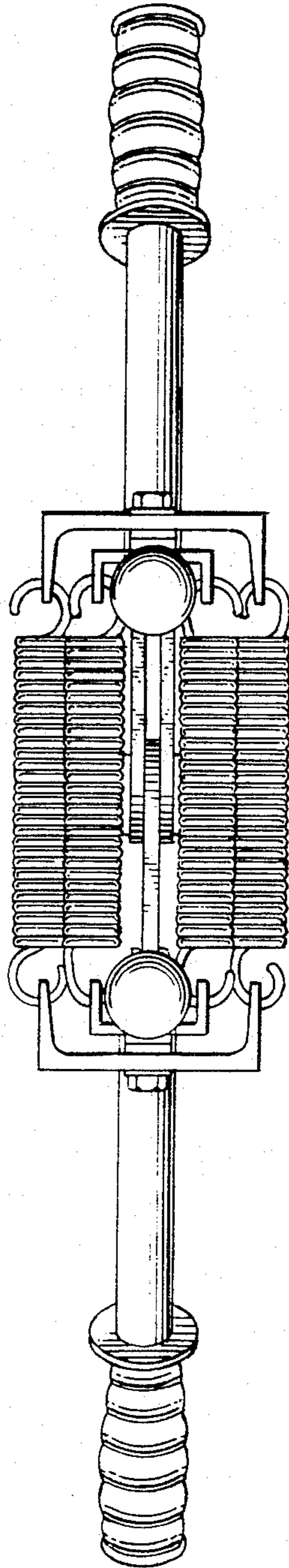


FIG. 4