

[54] **KARATE KICK TRAINING TARGET**

[76] **Inventor: Daniel T. Jackson, 16215
Stockbridge Ave., Cleveland, Ohio
44128**

[**] **Term: 14 Years**

[21] **Appl. No.: 238,879**

[22] **Filed: Mar. 6, 1981**

[52] **U.S. Cl. D21/191**

[58] **Field of Search D21/191-199;
272/68, DIG. 5, 76**

[56] **References Cited**

U.S. PATENT DOCUMENTS

- D. 237,869 12/1975 Siroki D21/199
- 3,927,879 12/1975 Long et al. 272/76
- 4,027,875 6/1977 Hurley 272/76

- 4,093,212 6/1978 Jacques 272/76
- 4,173,336 11/1979 Perry 272/76

OTHER PUBLICATIONS

Blackbelt, 1-1980, p. 14, "Power Fist Board Holder".

Primary Examiner—Charles A. Rademaker
Attorney, Agent, or Firm—John M. Romanchik, Jr.

[57] **CLAIM**

The ornamental design for a karate kick training target, substantially as shown and described.

DESCRIPTION

FIG. 1 is a side elevational view of a karate kick training target showing my new design, the side opposite being substantially a mirror image;

FIG. 2 is a top plan view thereof;

FIG. 3 is a front elevational view thereof; and

FIG. 4 is a rear elevational view thereof.

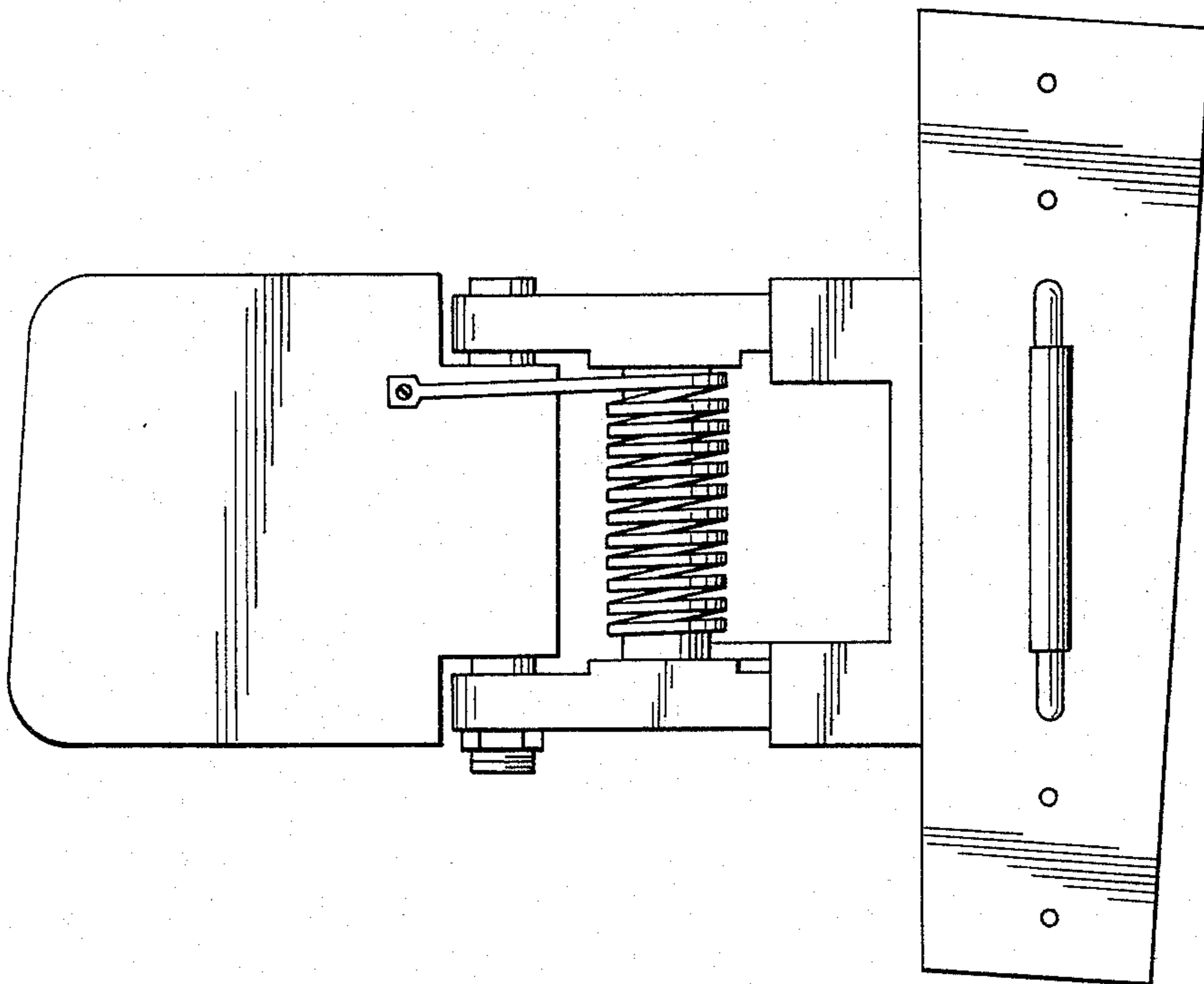


FIG. 1

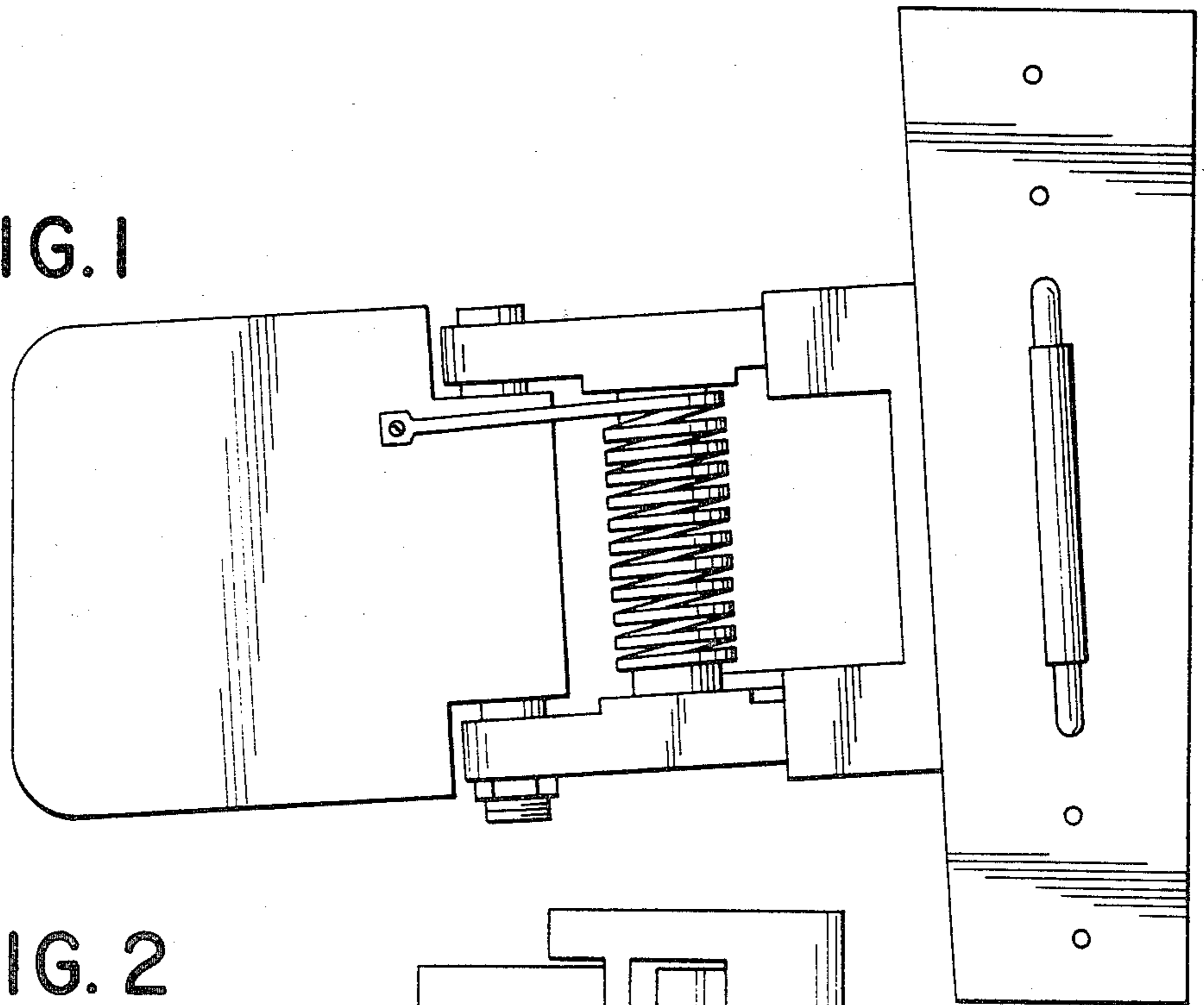


FIG. 2

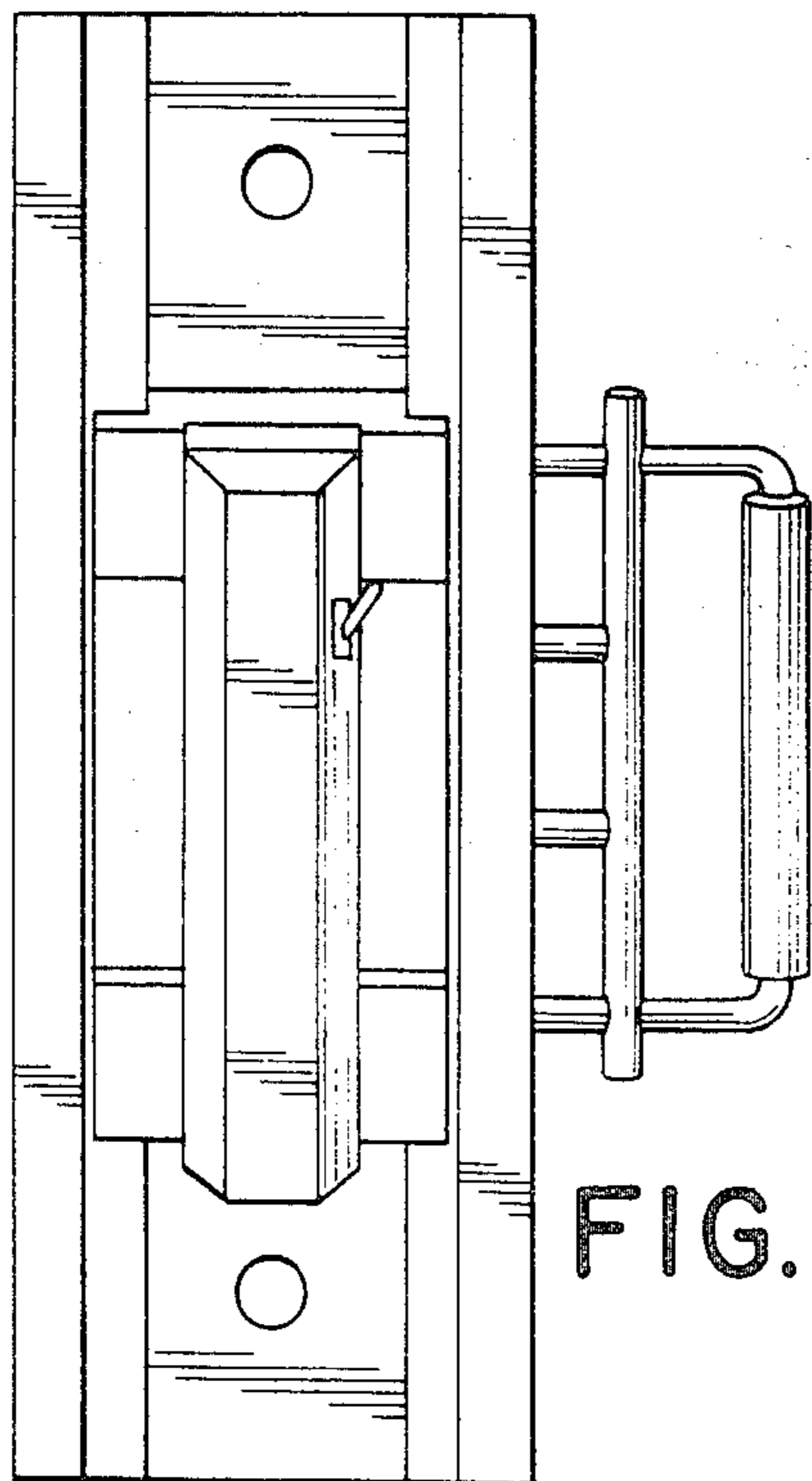
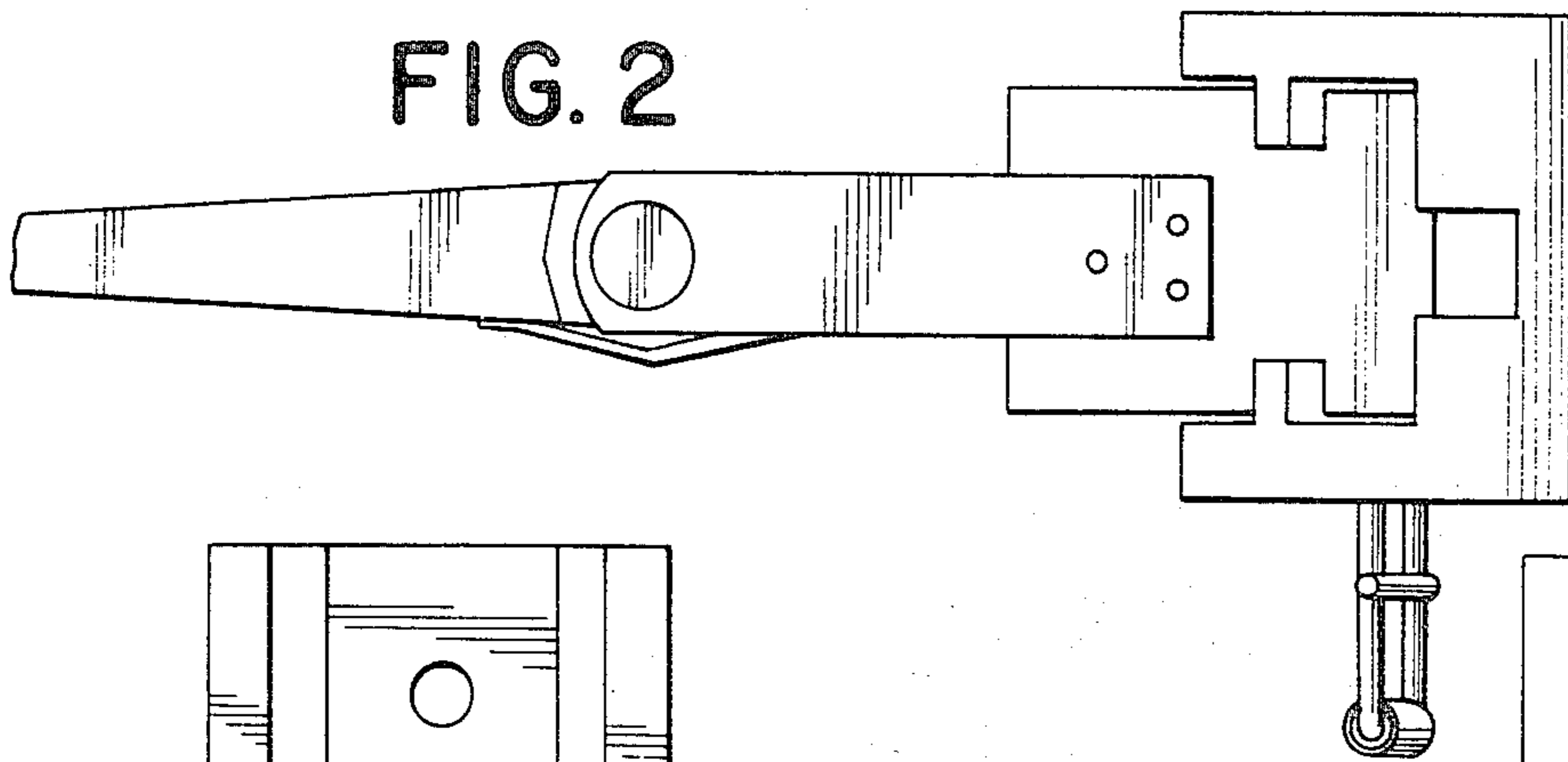


FIG. 3

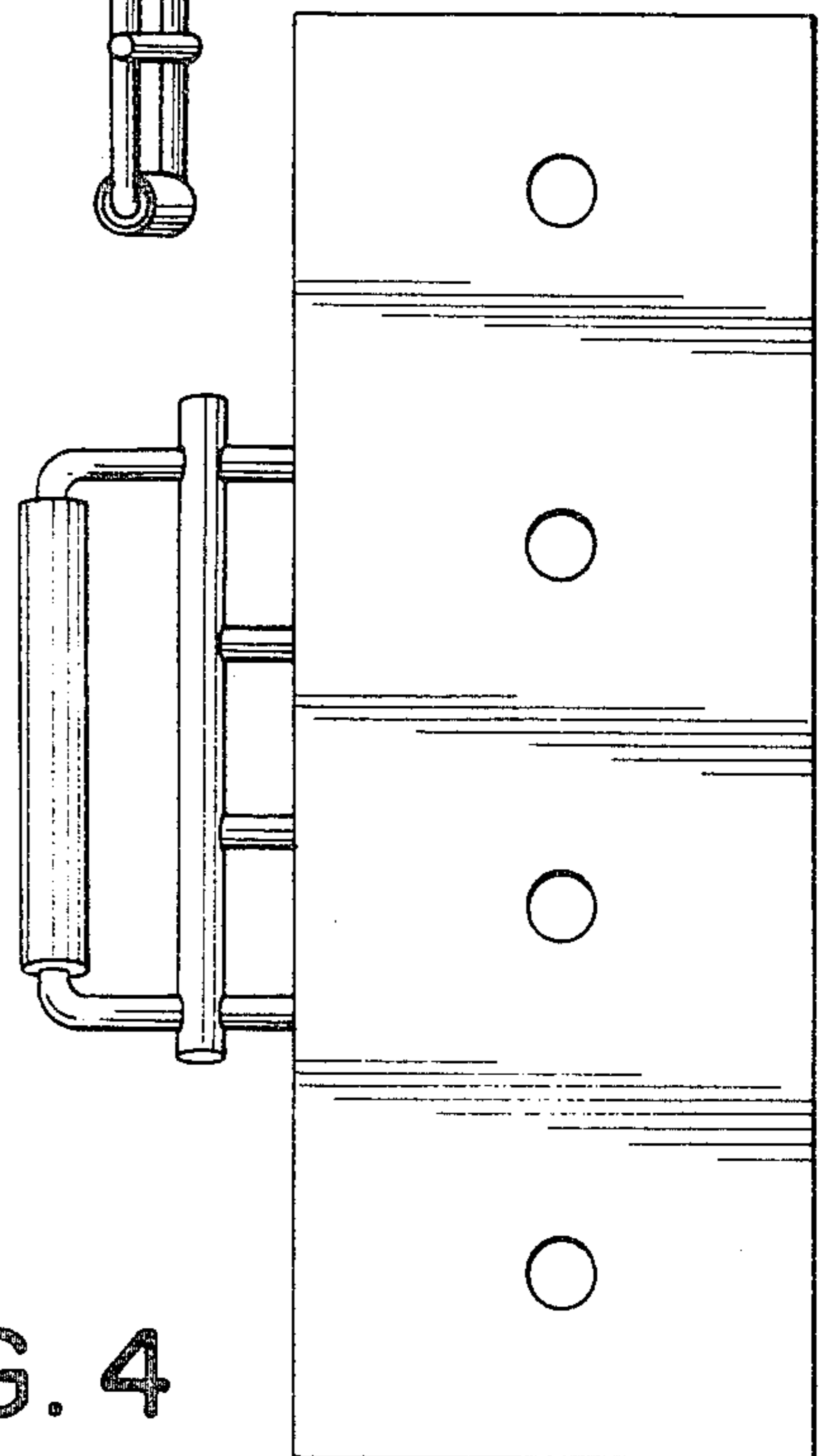


FIG. 4